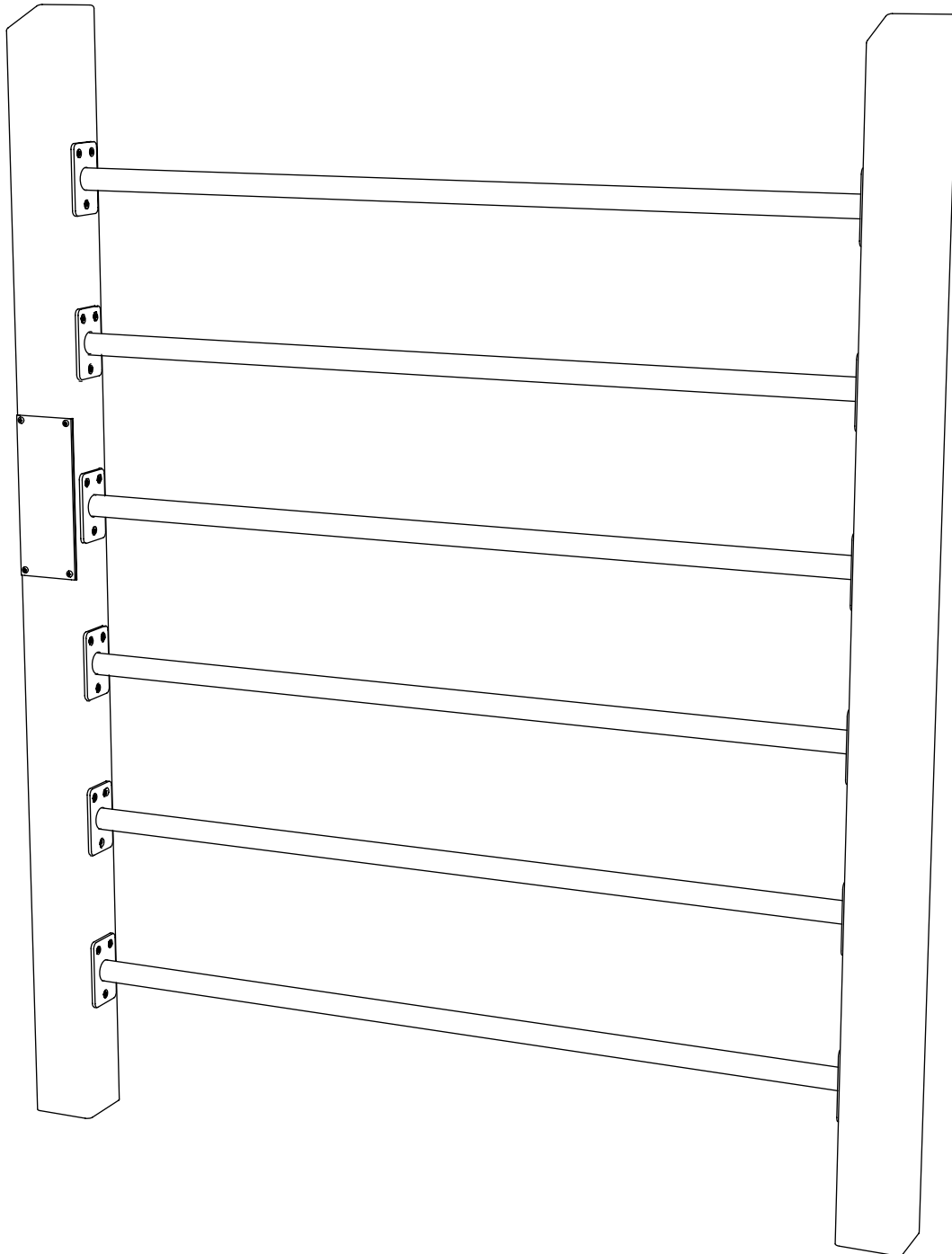


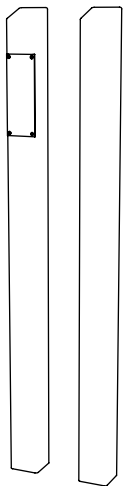
GYM110 - WALL BARS - JUNIOR

Installation Instructions

**creative
play**



PARTS REQUIRED



GM110-A [X3] & GM110-B [X1]

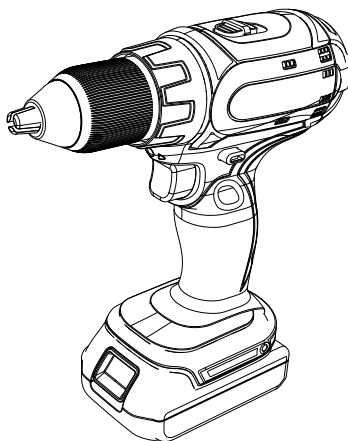
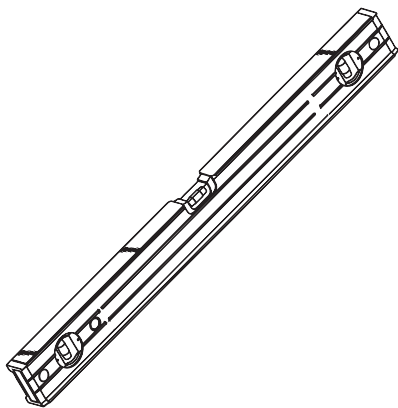


STANDARD BAR - 1480mm [X6]

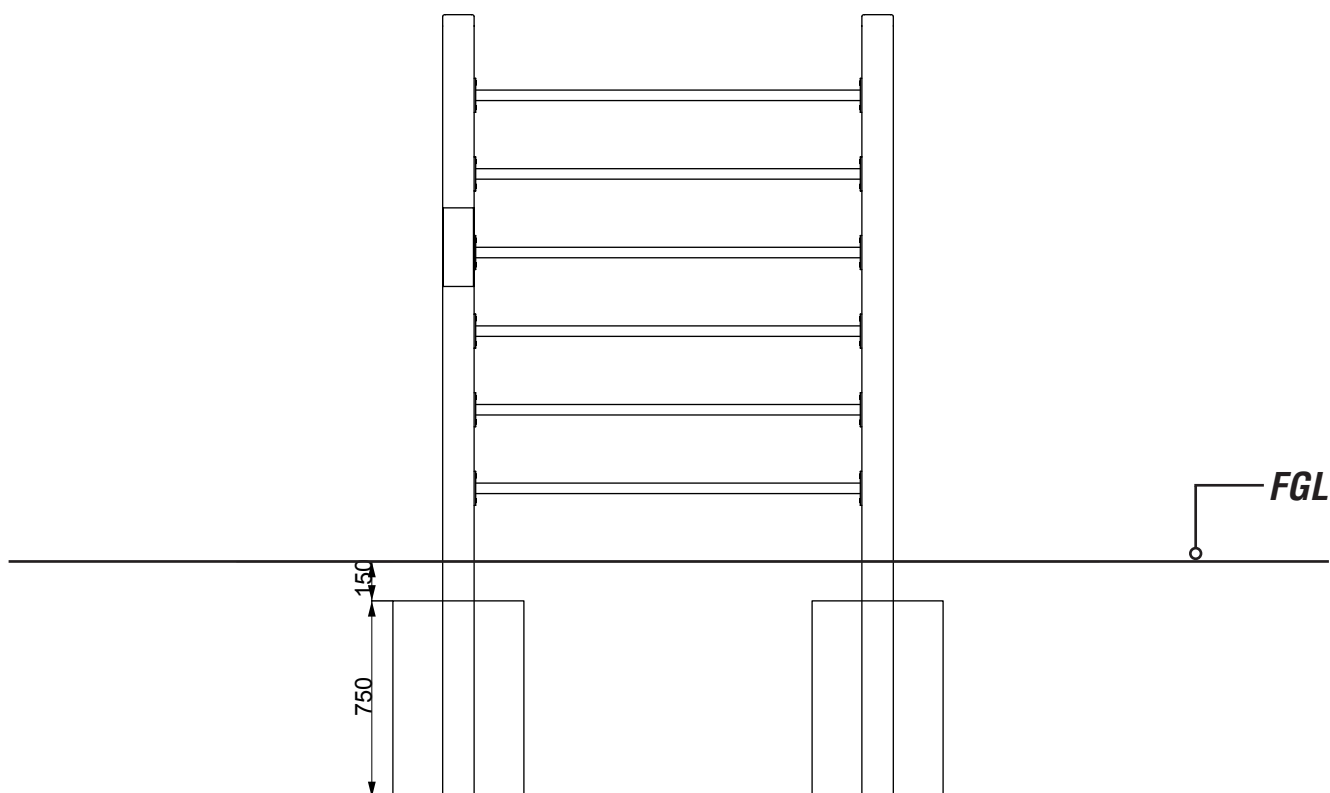
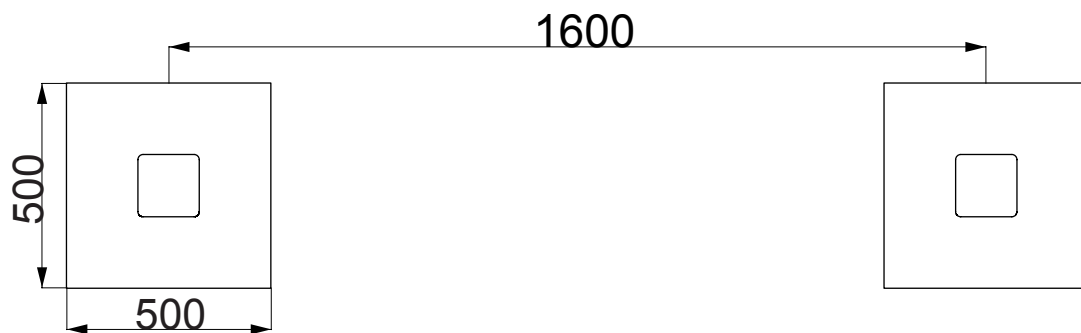


M8 X 80 SCREWS [X36]

TOOLS REQUIRED



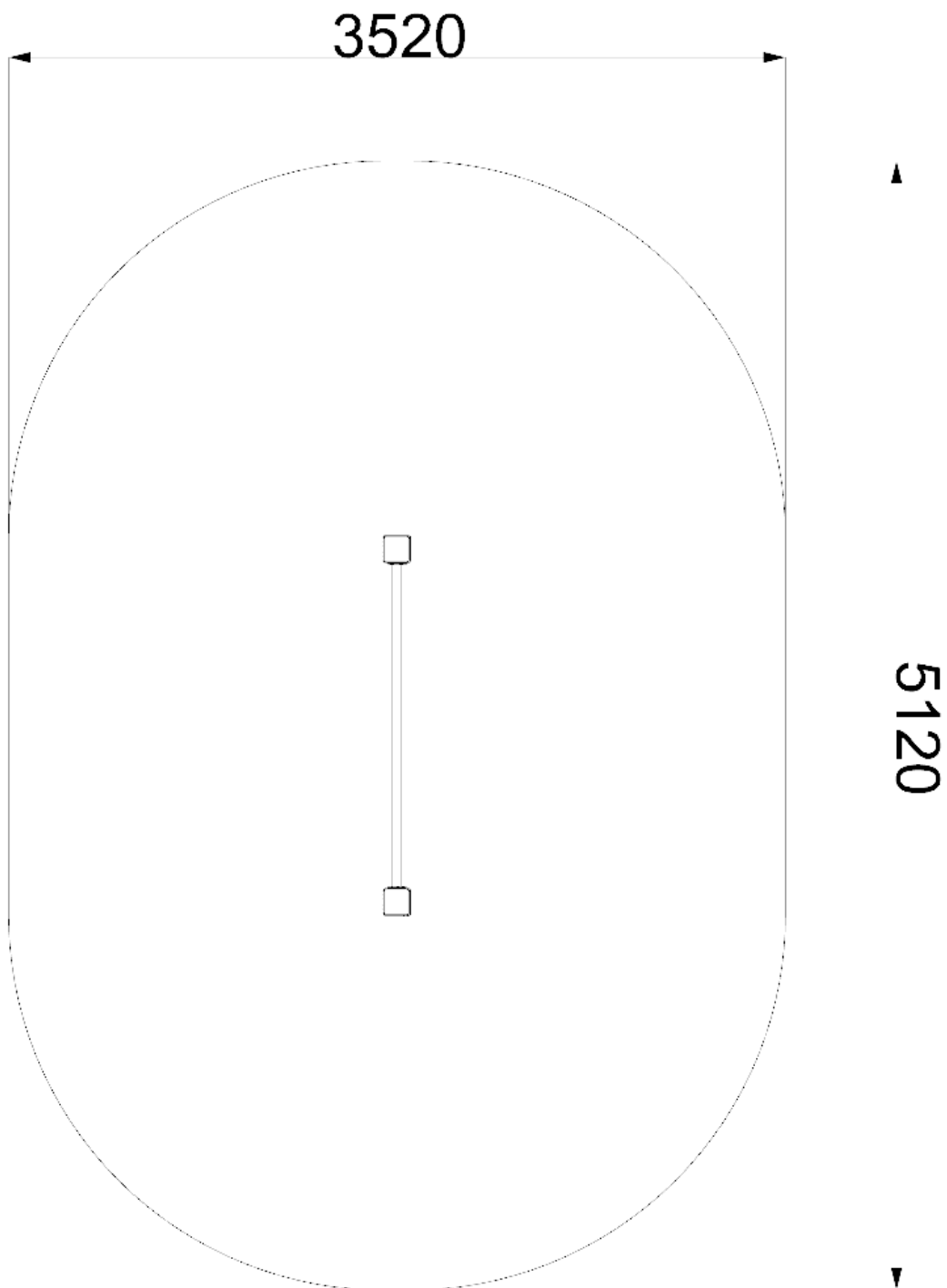
FOUNDATION DETAIL



SURFACING - OVERALL AREA

— = EN16630 STANDARD

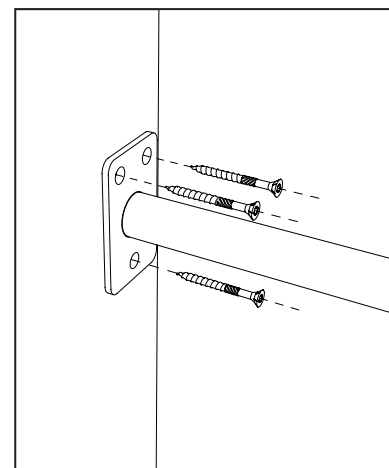
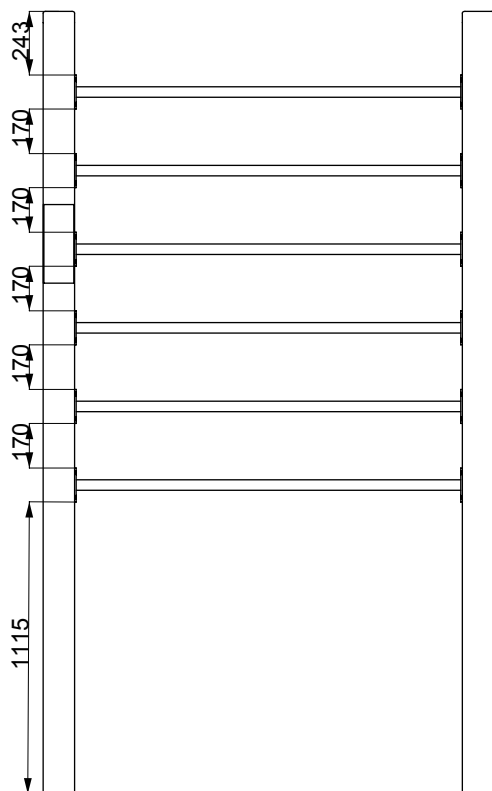
— = EN11-76/77 STANDARD



INSTALLATION INSTRUCTIONS

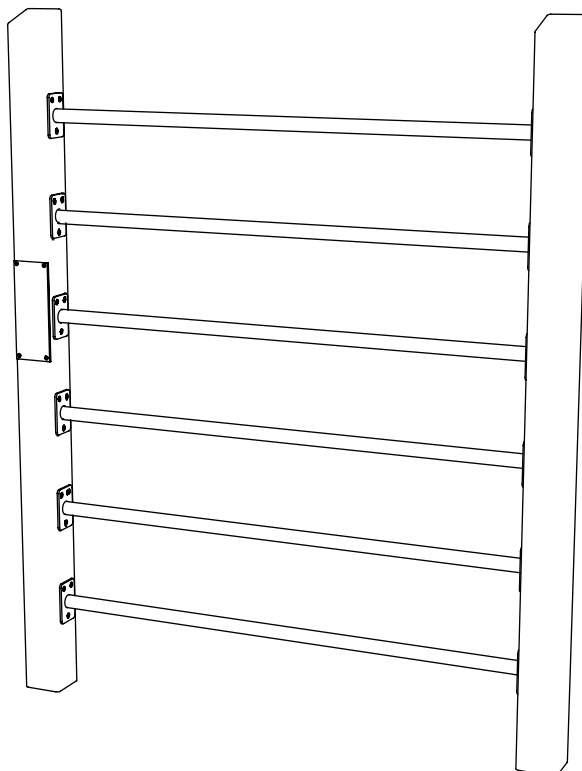
1

ATTACH STANDARD BAR TO GM1104-A AND GM110-B TIMBERS
USING M8X80 SCREWS



2

INSTALL GYM110 INTO THE GROUND



ADDITIONAL MEASUREMENTS

