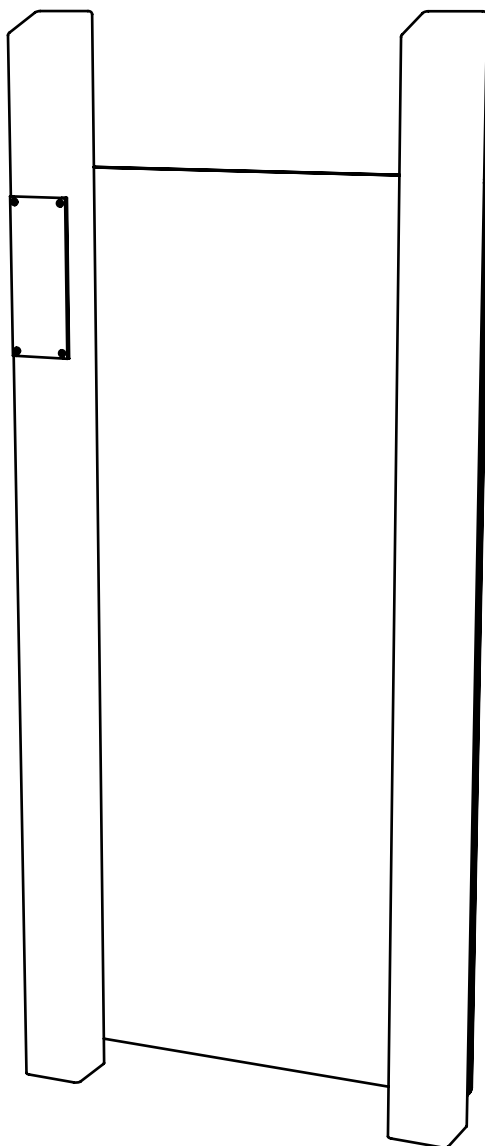


# **GYM109 - STATIC WALL - JUNIOR**

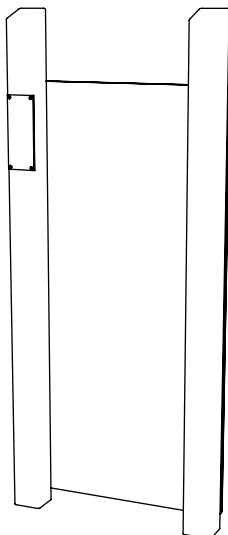
## ***Installation Instructions***

**creative  
play**



# ***PARTS REQUIRED***

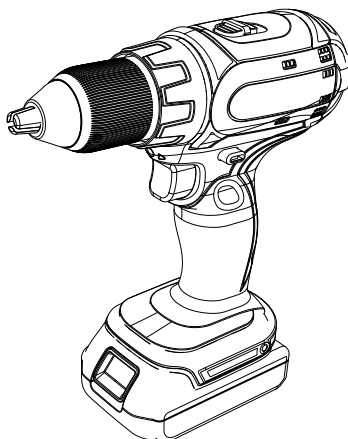
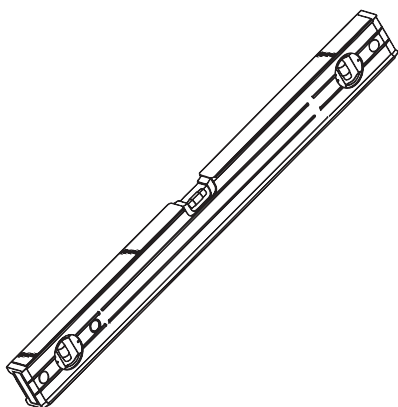
---



***GYM109***

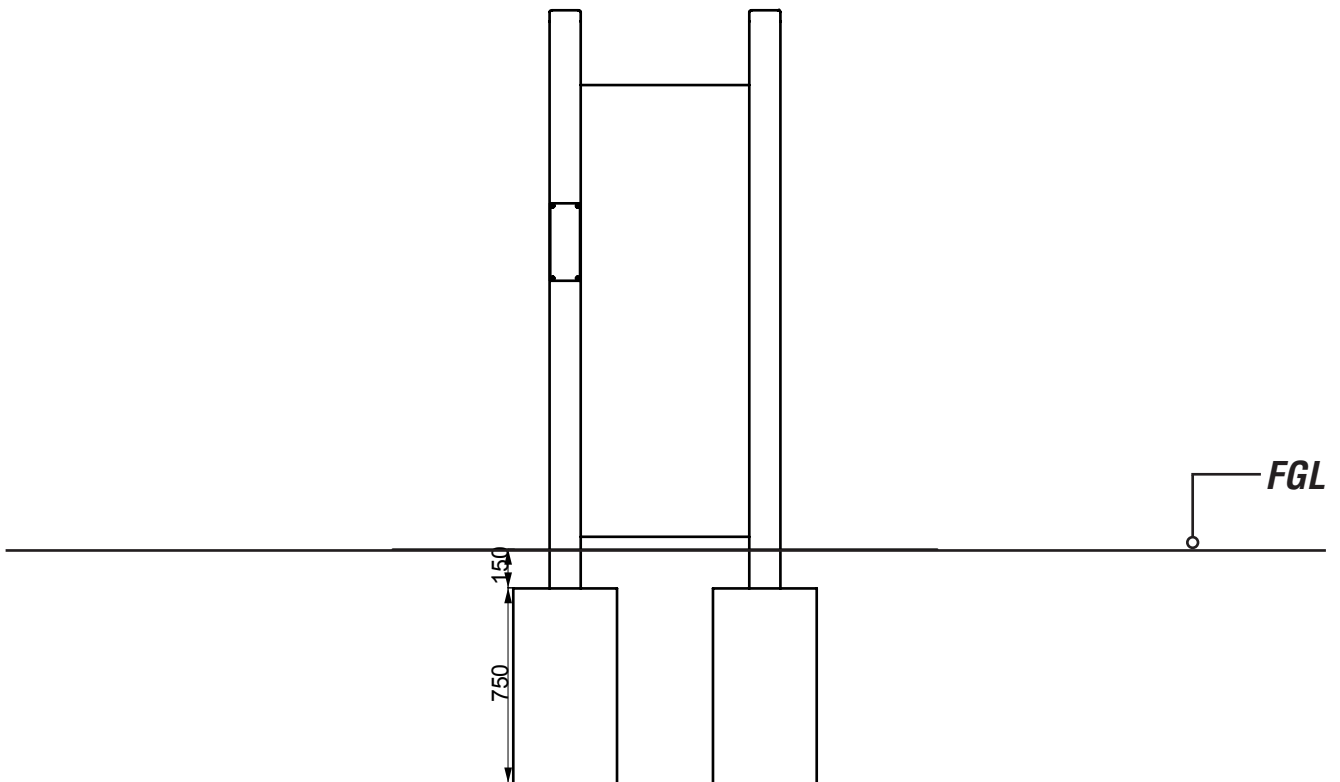
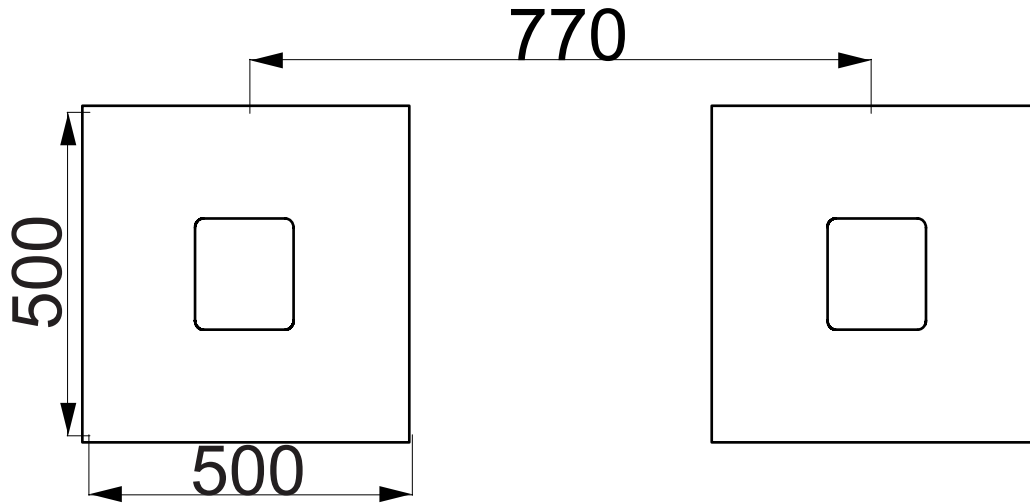
# ***TOOLS REQUIRED***

---



# FOUNDATION DETAIL

---

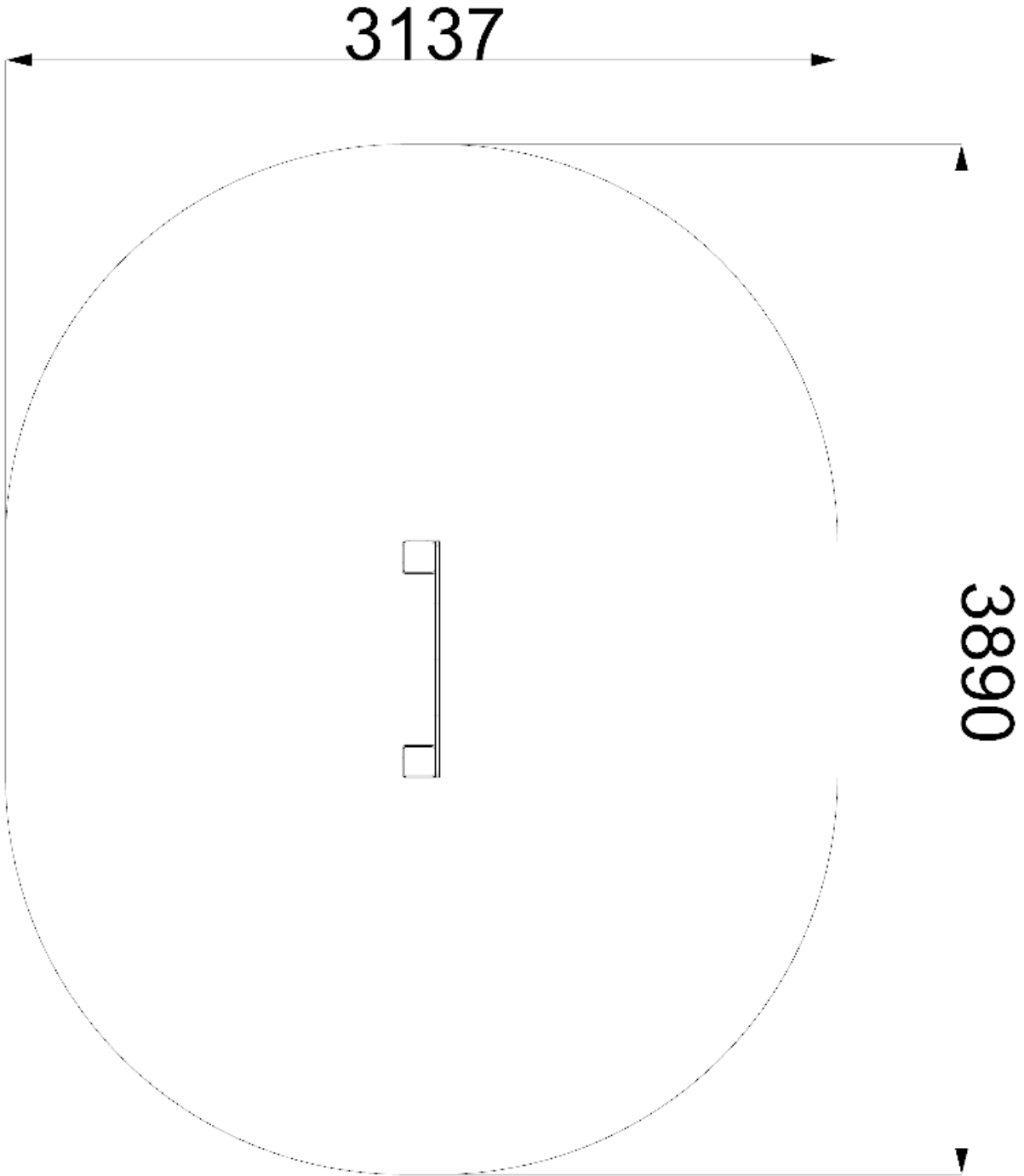


# ***SURFACING - OVERALL AREA***

---

***— = EN16630 STANDARD***

***— = EN11-76/77 STANDARD***

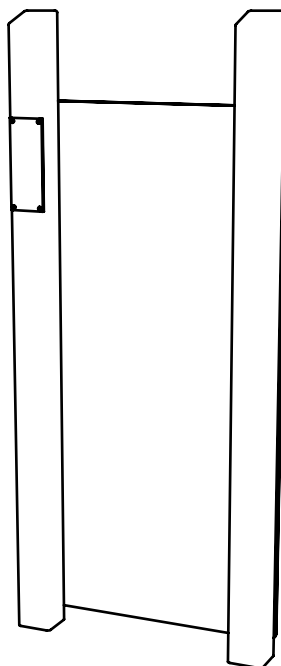


# ***INSTALLATION INSTRUCTIONS***

---

**1**

***INSTALL GYM109 INTO THE GROUND***



# ***ADDITIONAL MEASUREMENTS***

---

