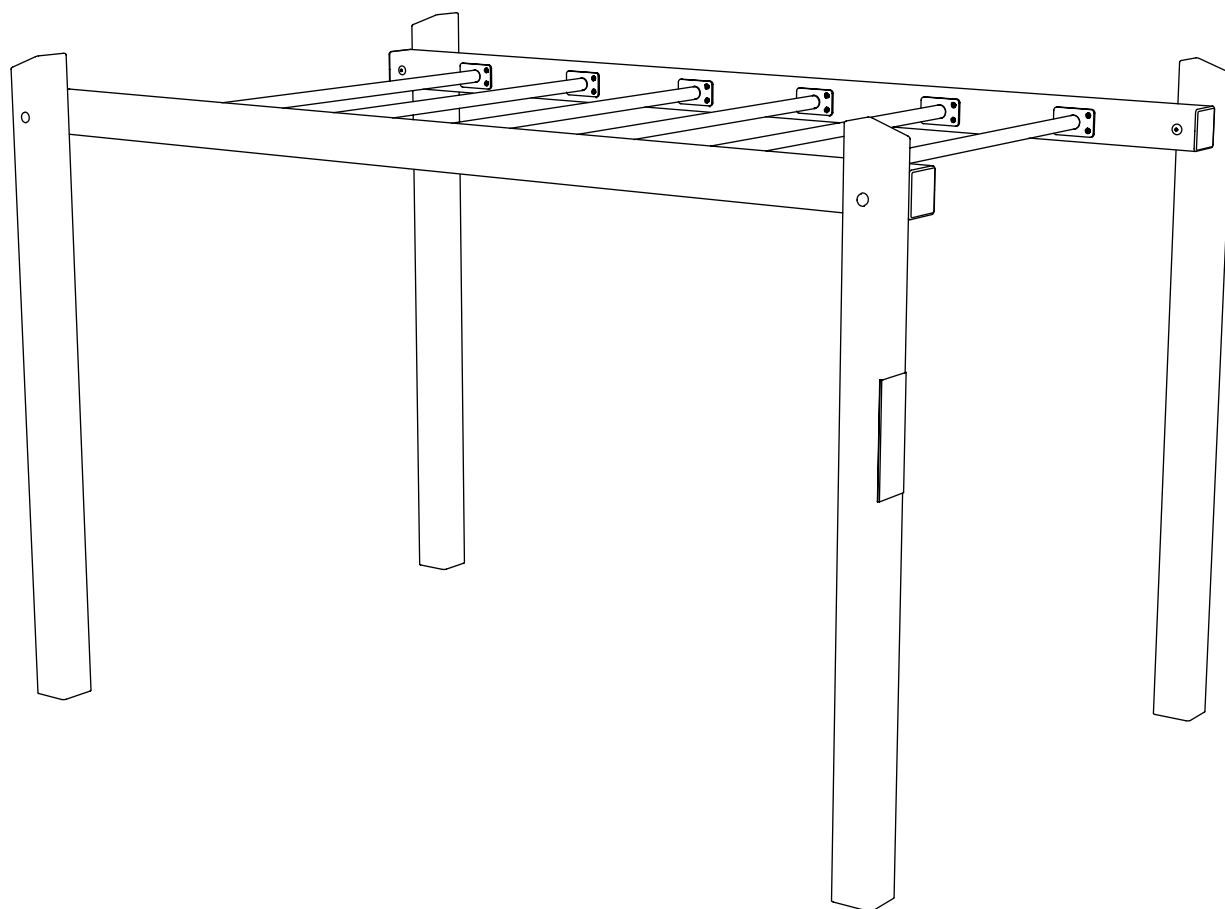


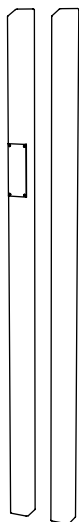
GYM108 - OVERHEAD LADDER - JUNIOR

Installation Instructions

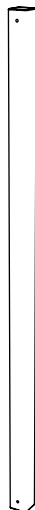
**creative
play**



PARTS REQUIRED



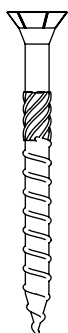
GM108-A [X3] & GM108-B [X1]



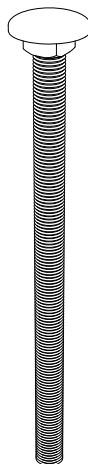
GM108-C [X2]



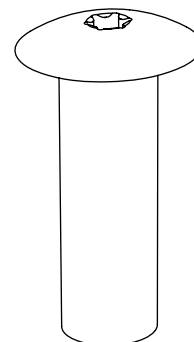
STANDARD BAR - 1480mm [X6]



M8 X 80 SCREWS [X36]

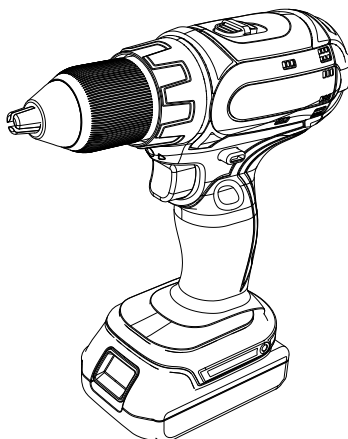
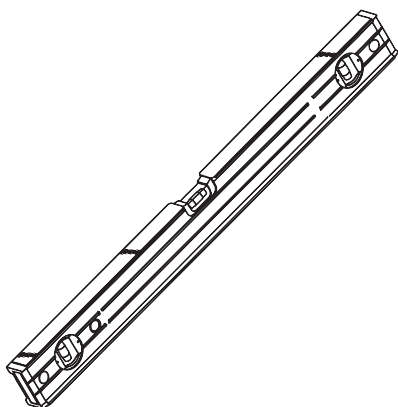


M12X240 BOLTS [X4]

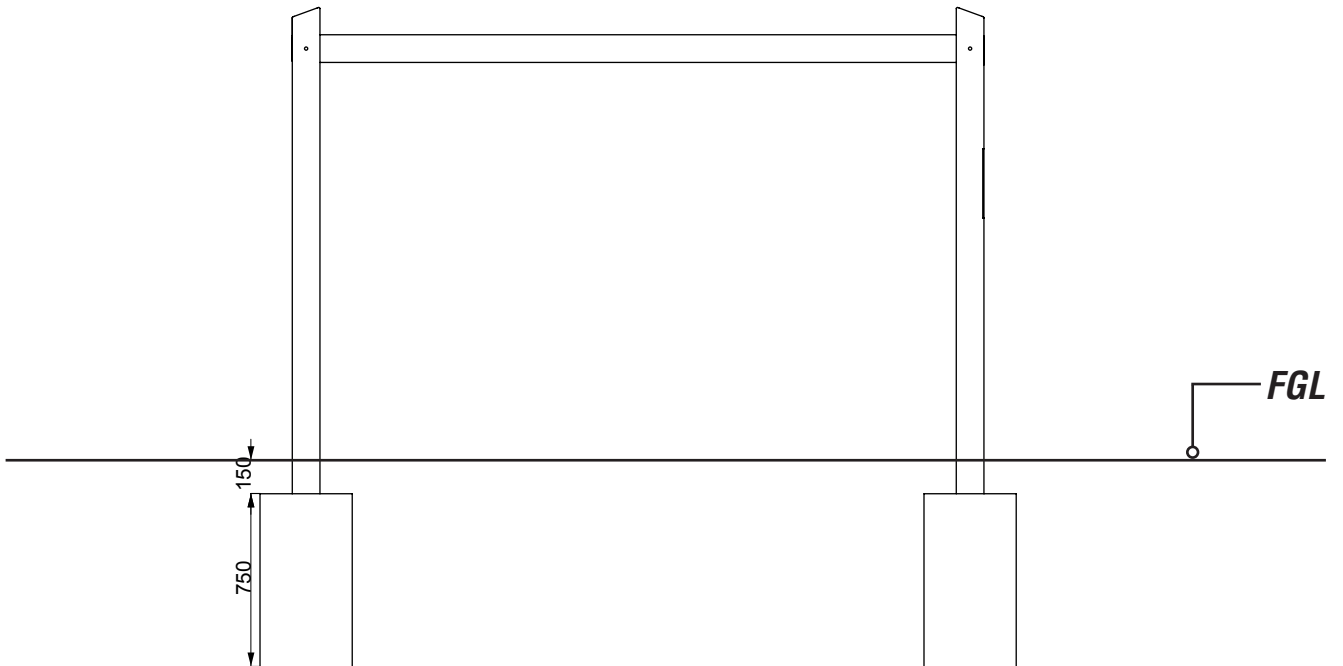
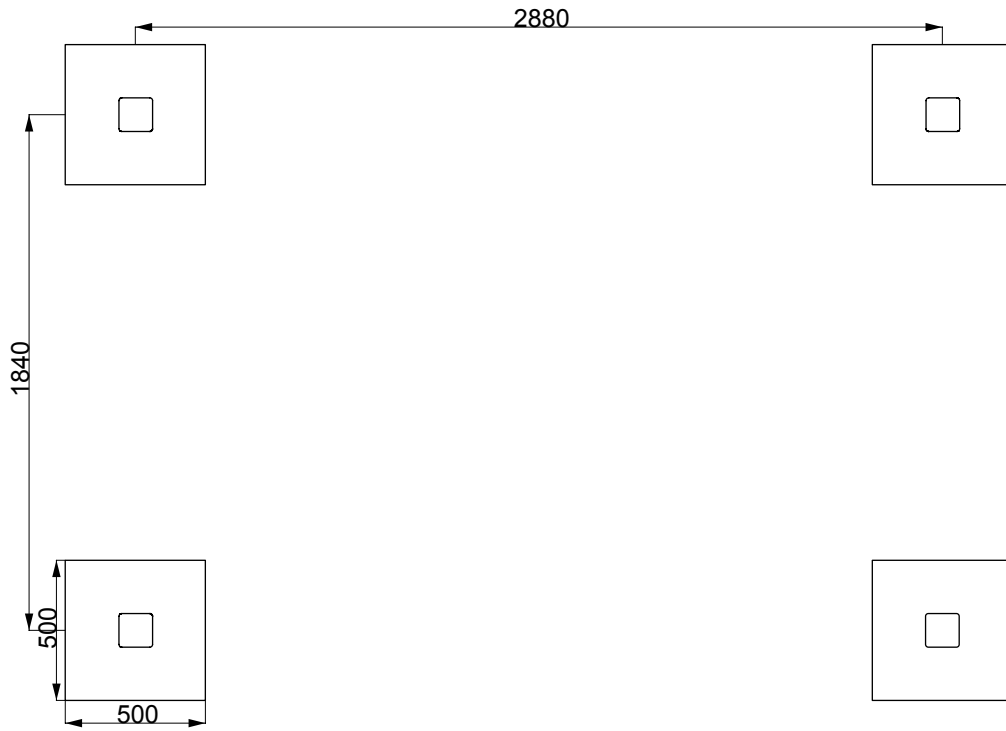


SOCKET NUTS [X4]

TOOLS REQUIRED



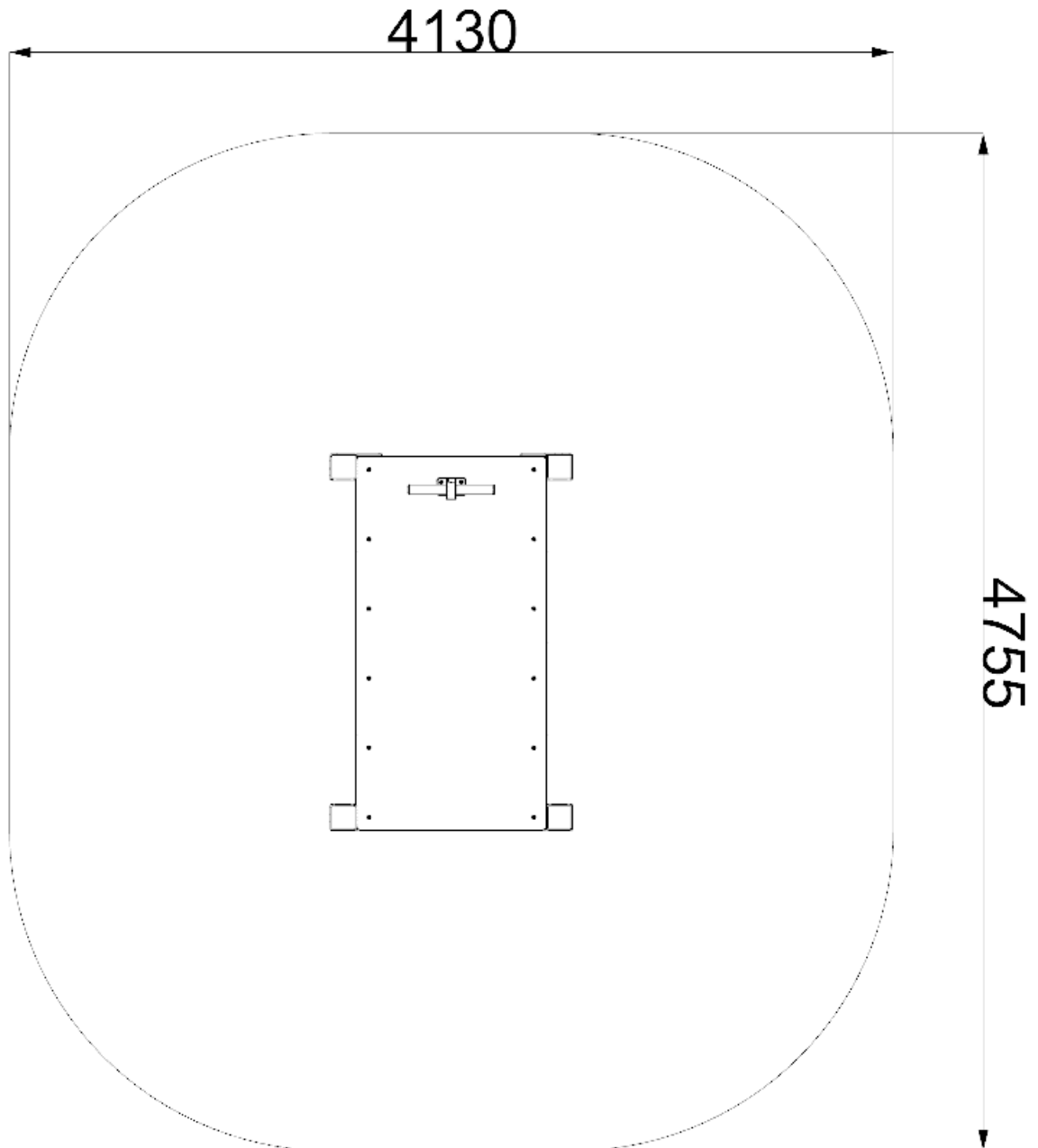
FOUNDATION DETAIL



SURFACING - OVERALL AREA

----- = MINIMUM SPACE

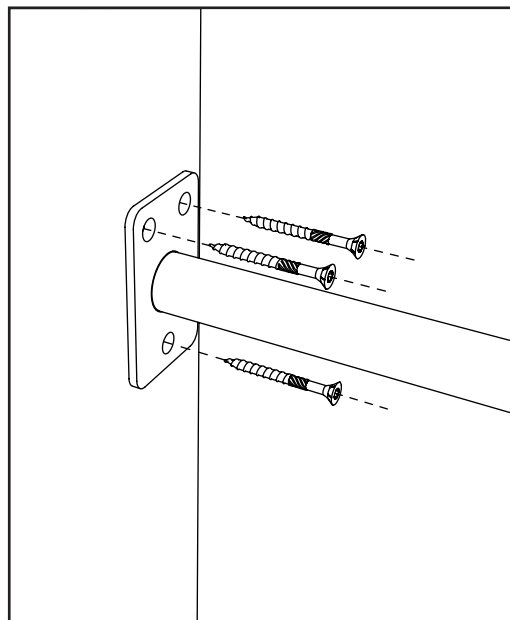
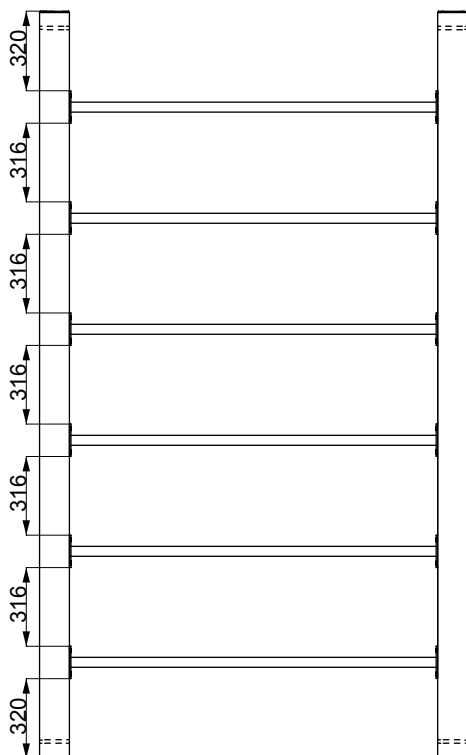
————— = SURFACE AREA



INSTALLATION INSTRUCTIONS

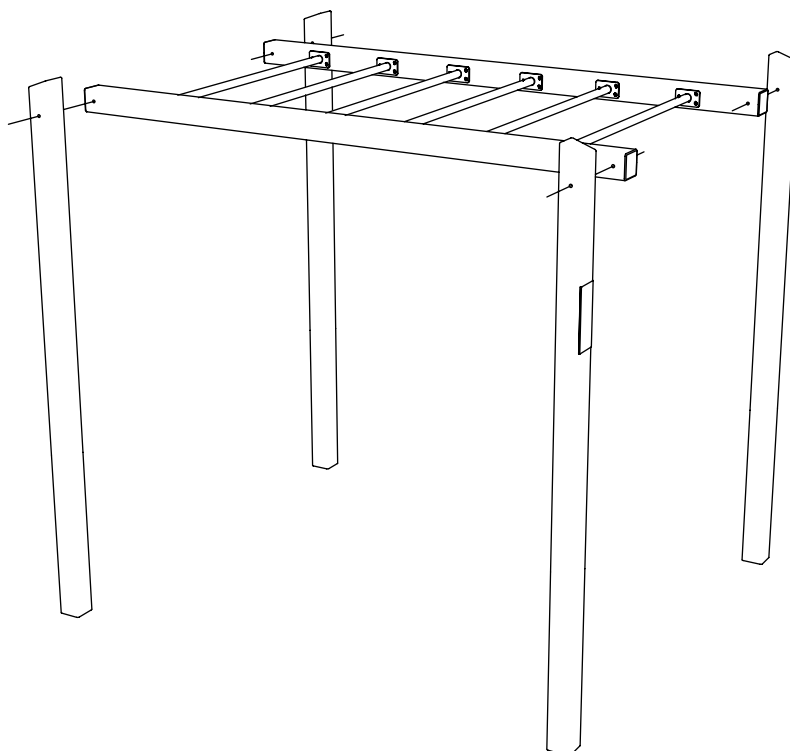
1

ATTACH STANDARD BAR TO GM108-C TIMBERS
USING M8X80 SCREWS



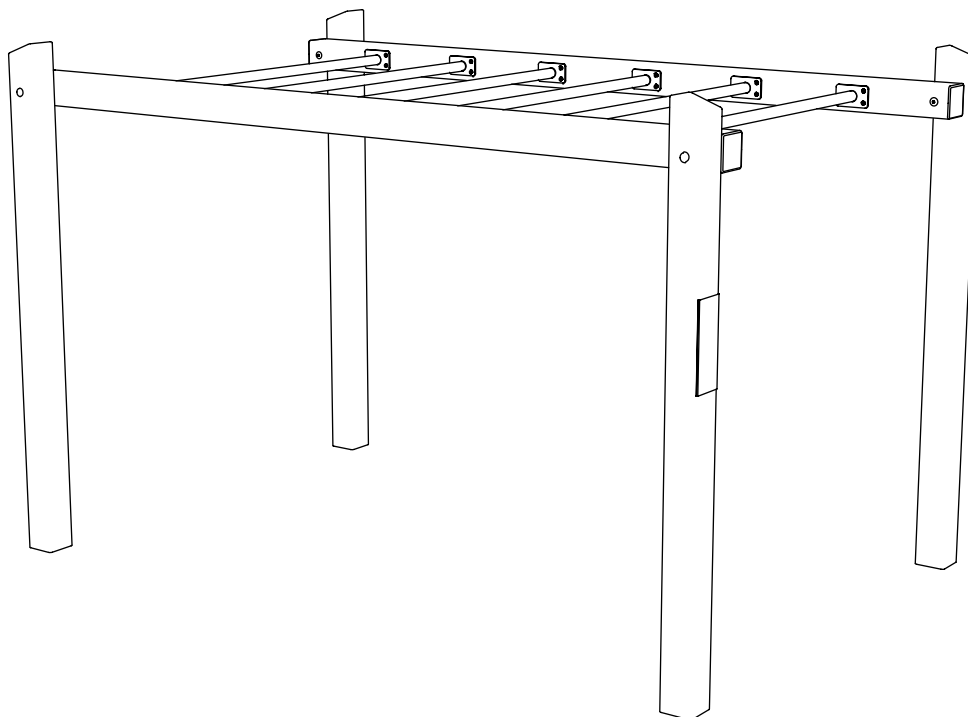
2

ATTACH GM108-A AND GM108-B TIMBERS TO GM108-C
USING M12X240 BOLTS AND SOCKET NUTS



INSTALLATION INSTRUCTIONS

3 INSTALL GYM108 INTO THE GROUND



ADDITIONAL MEASUREMENTS

