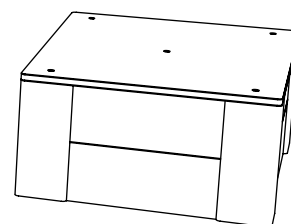
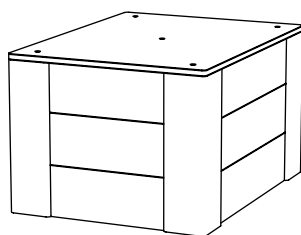
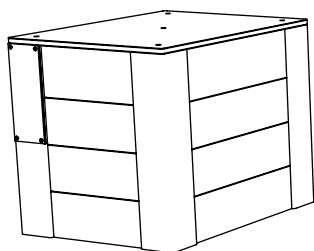


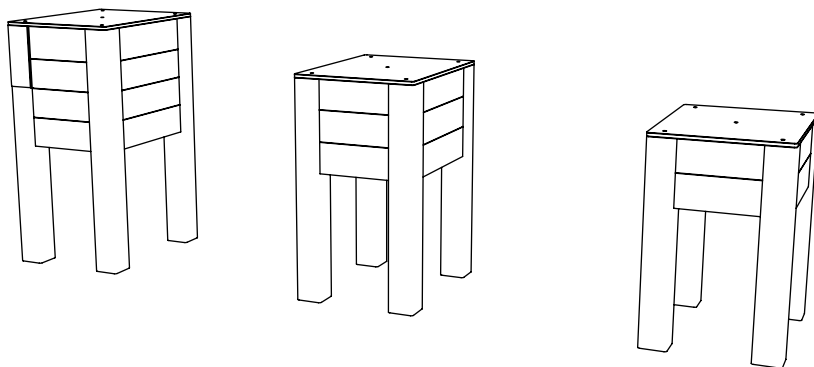
GYM107 - JUMP BOXES (SET OF 3)

Installation Instructions

**creative
play**

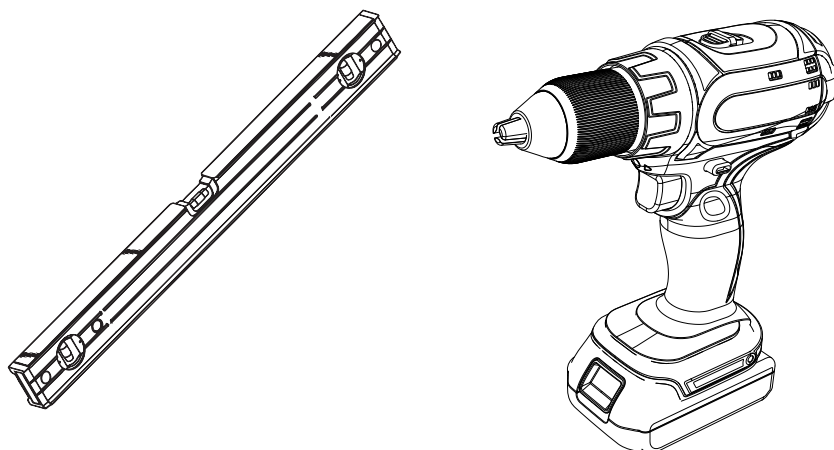


PARTS REQUIRED

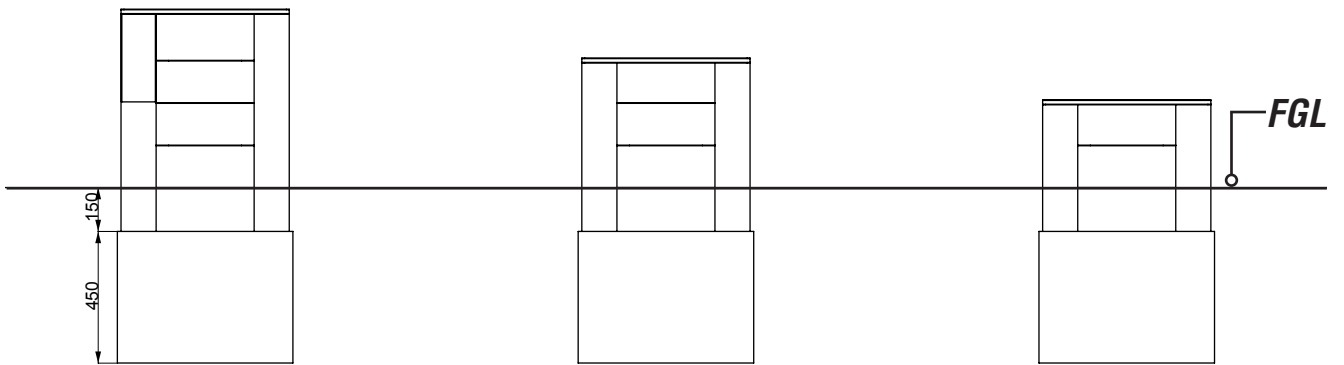
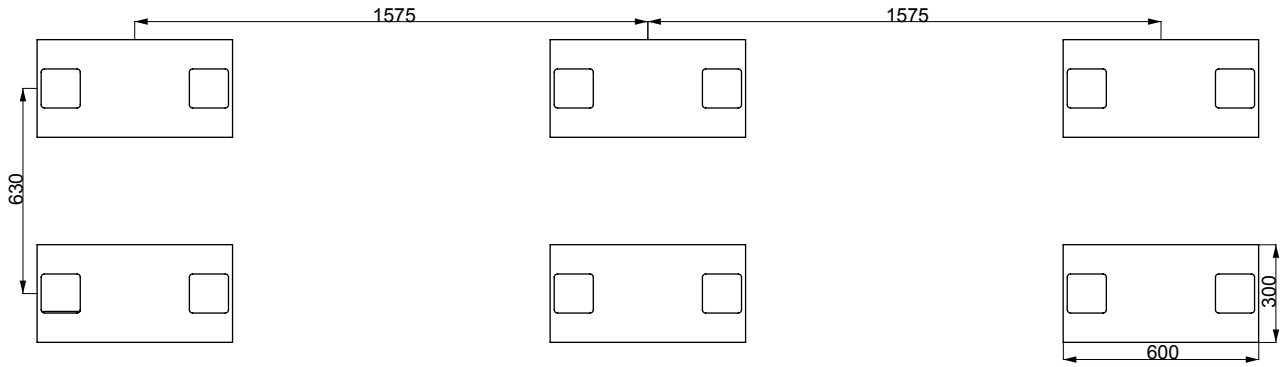


GYM107 - JUMP BOXES (SET OF 3)

TOOLS REQUIRED



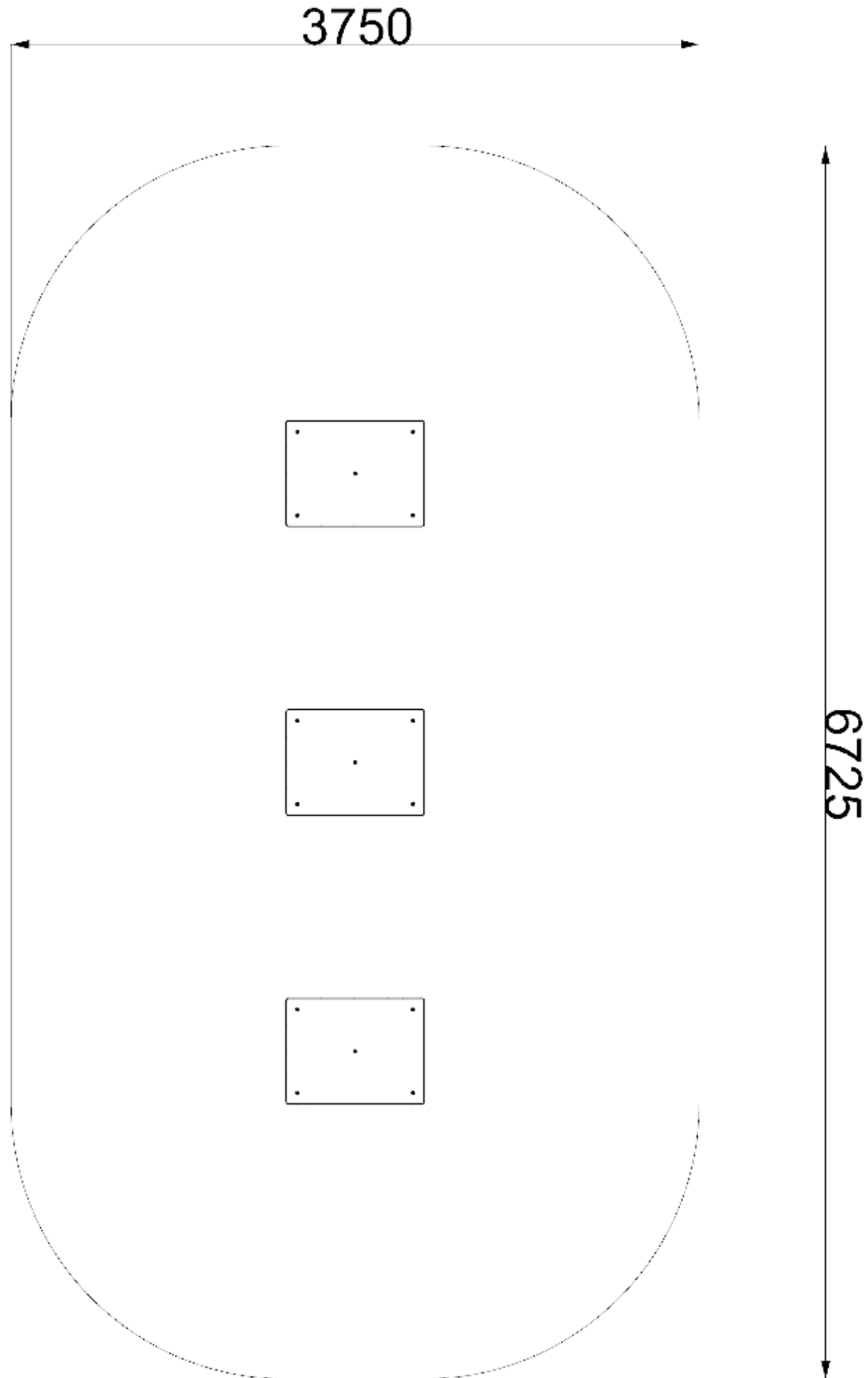
FOUNDATION DETAIL



SURFACING - OVERALL AREA

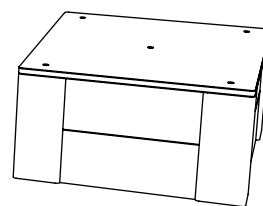
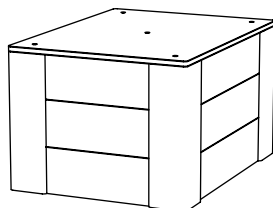
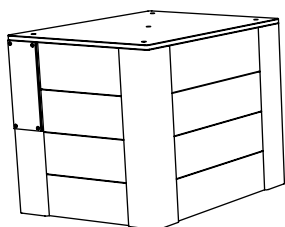
----- = MINIMUM SPACE

————— = SURFACE AREA



INSTALLATION INSTRUCTIONS

1 INSTALL GYM107 INTO THE GROUND



ADDITIONAL MEASUREMENTS

