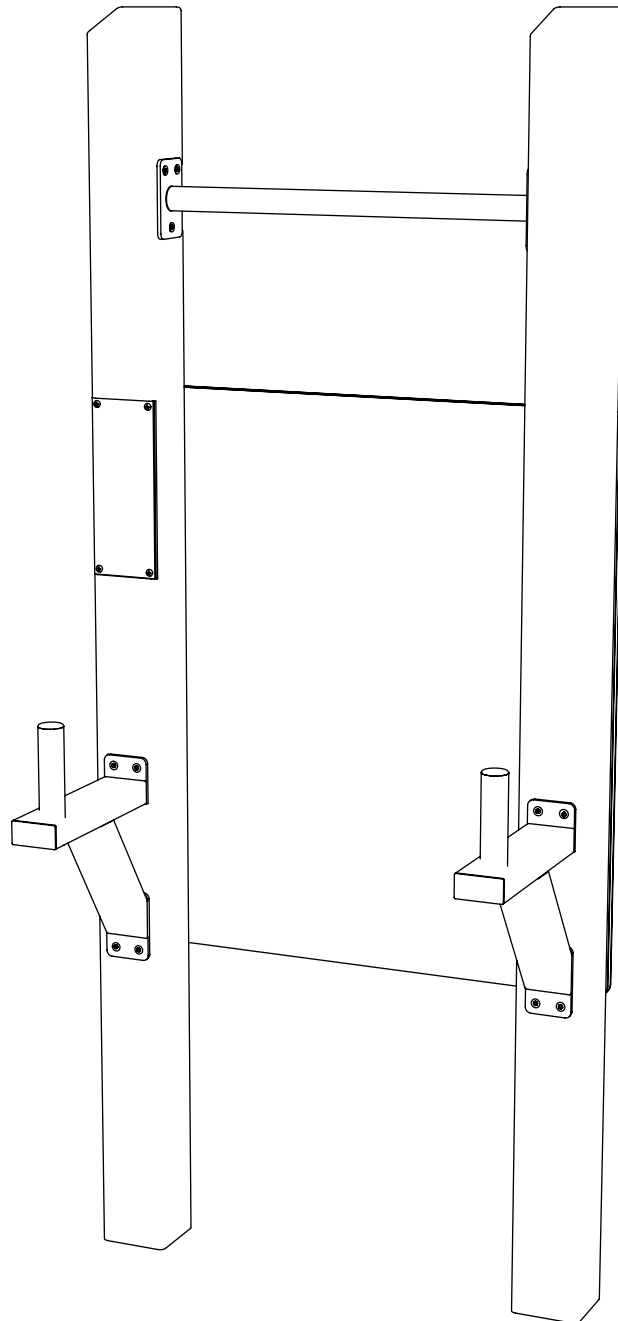


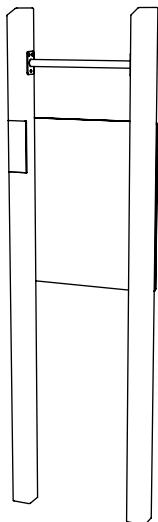
GYM106 - LEG RAISES - JUNIOR

Installation Instructions

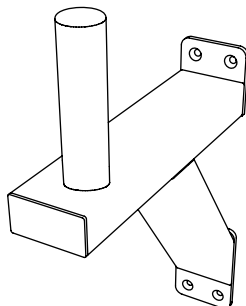
**creative
play**



PARTS REQUIRED



PRE-ASSEMBLED PANEL

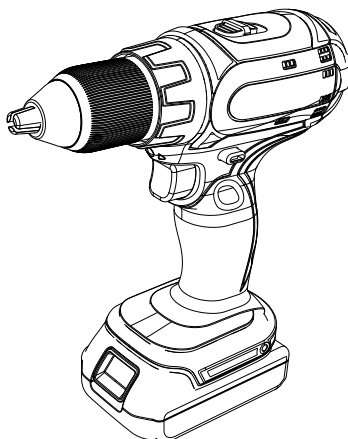
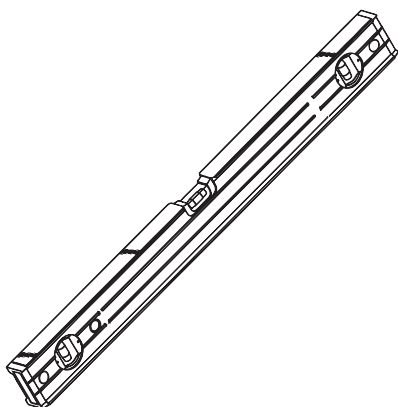


LEG RAISE BAR [X2]

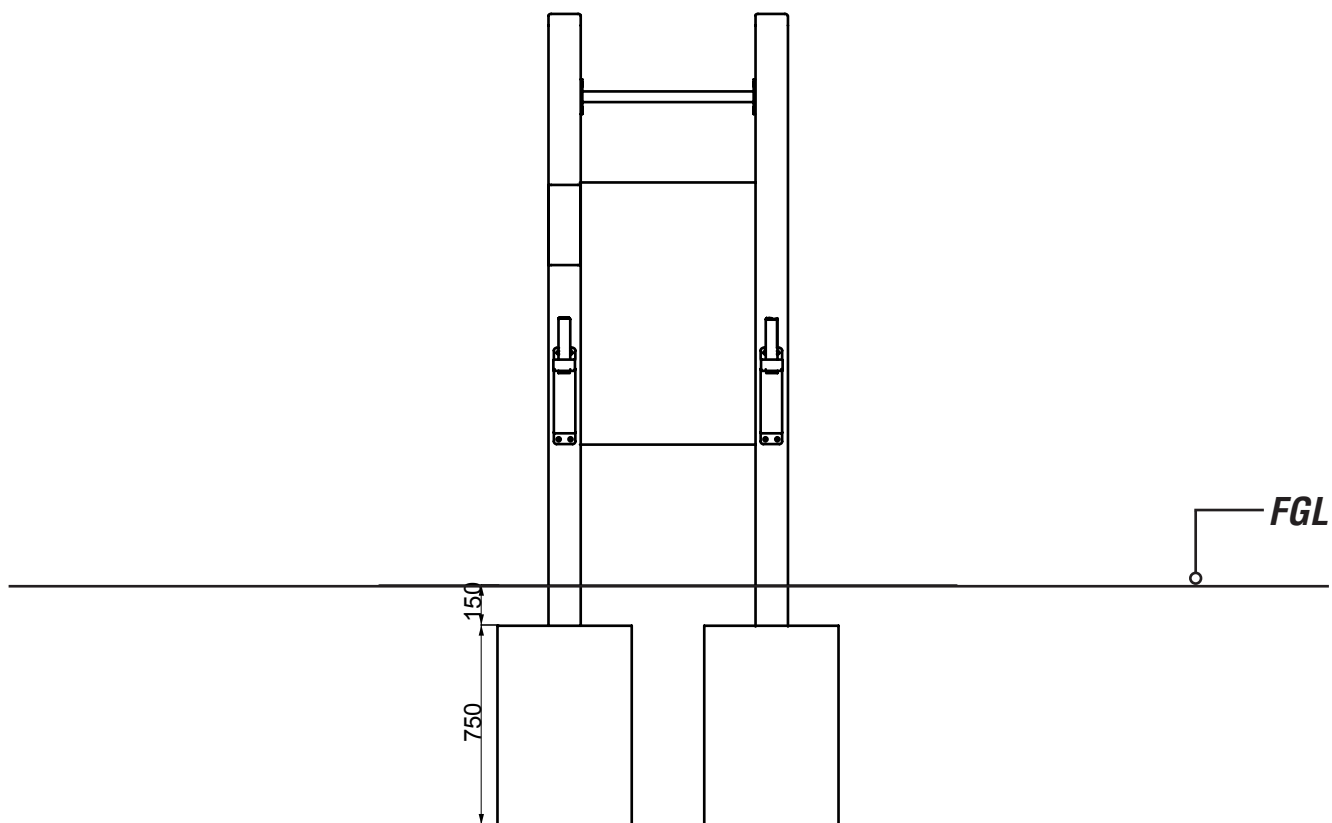
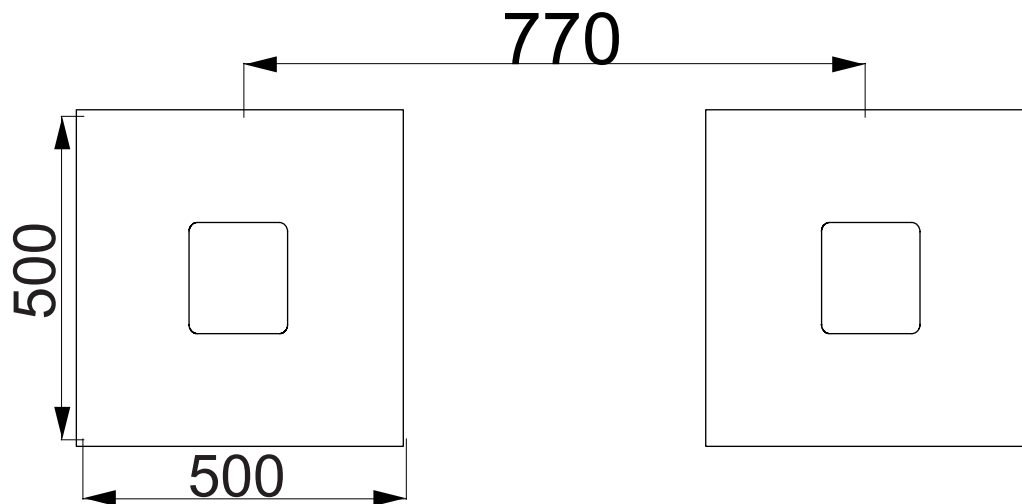


M8 X 80 SCREWS [X8]

TOOLS REQUIRED



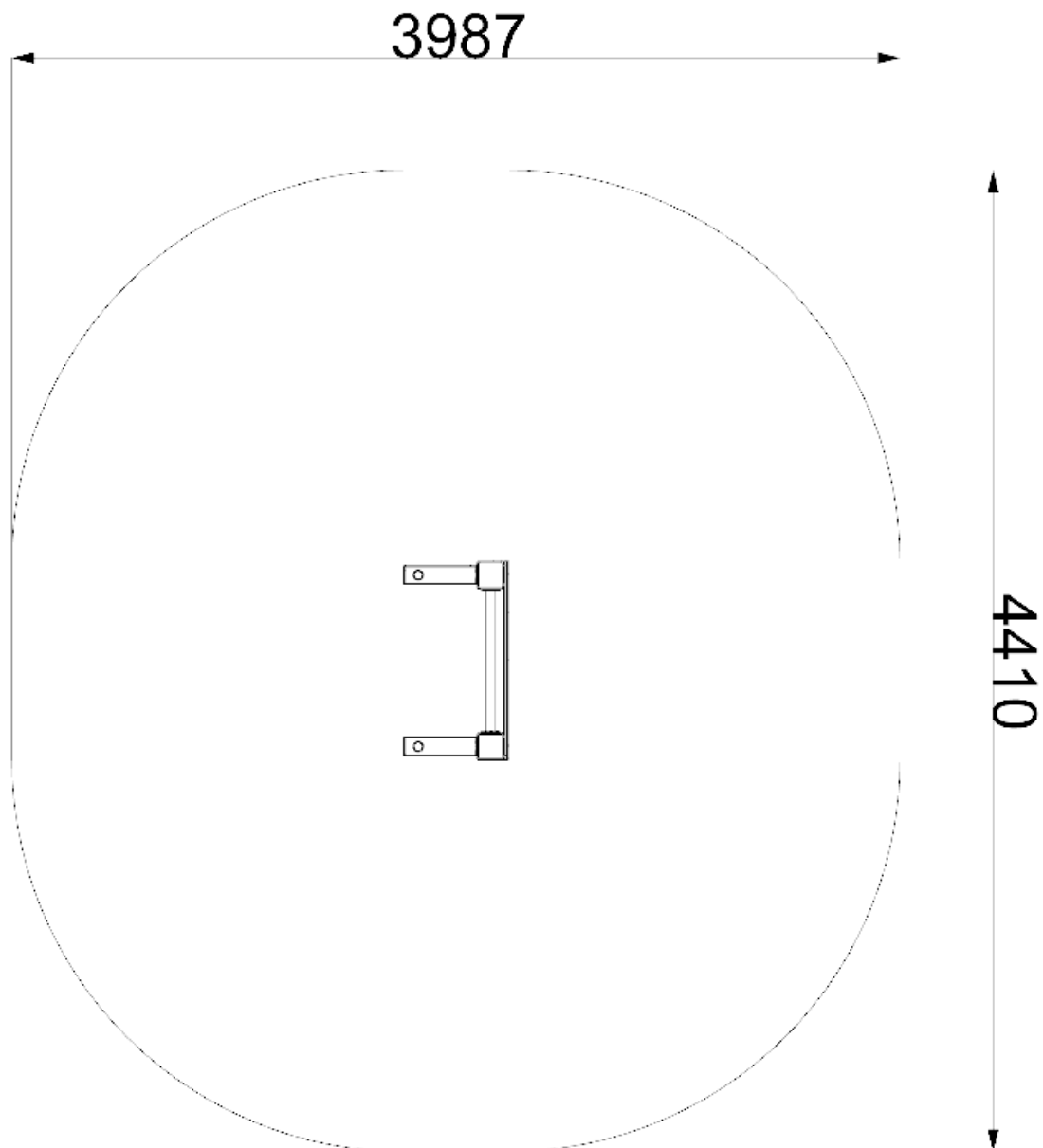
FOUNDATION DETAIL



SURFACING - OVERALL AREA

— = EN16630 STANDARD

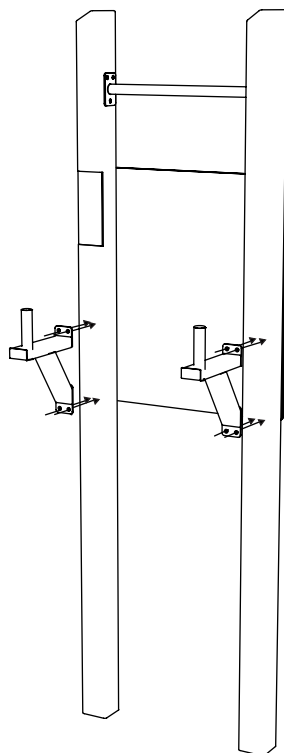
— = EN11-76/77 STANDARD



INSTALLATION INSTRUCTIONS

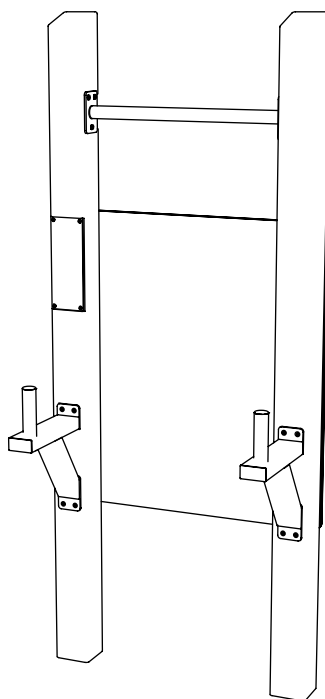
1

ATTACH LEG RAISE BARS TO PRE ASSEMBLED PANEL
USING M8X80 SCREWS



2

INSTALL GYM106 INTO THE GROUND



ADDITIONAL MEASUREMENTS

