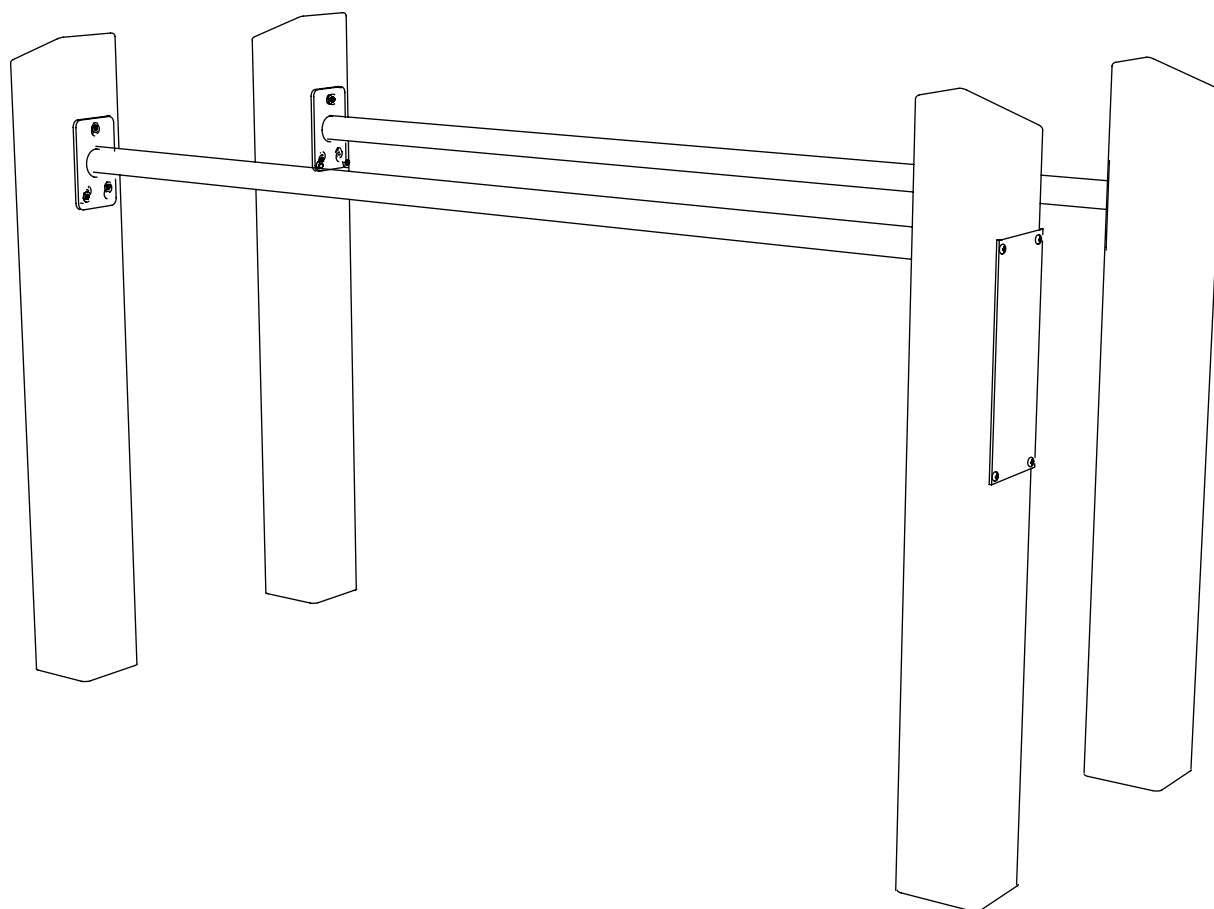


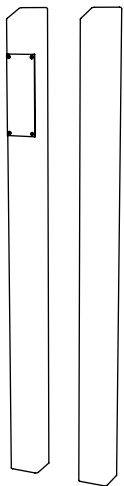
GYM104 - PARALLEL BARS - JUNIOR

Installation Instructions

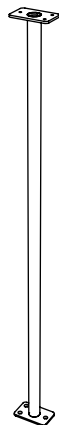
**creative
play**



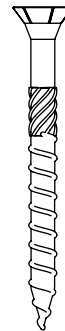
PARTS REQUIRED



GM104-A [X3] & GM104-B [X1]

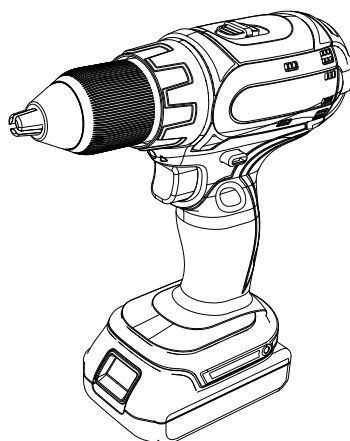
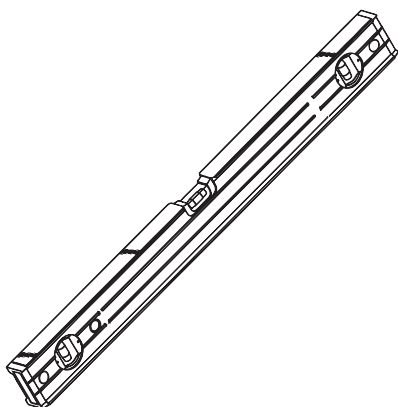


STANDARD BAR - 1480mm [X2]

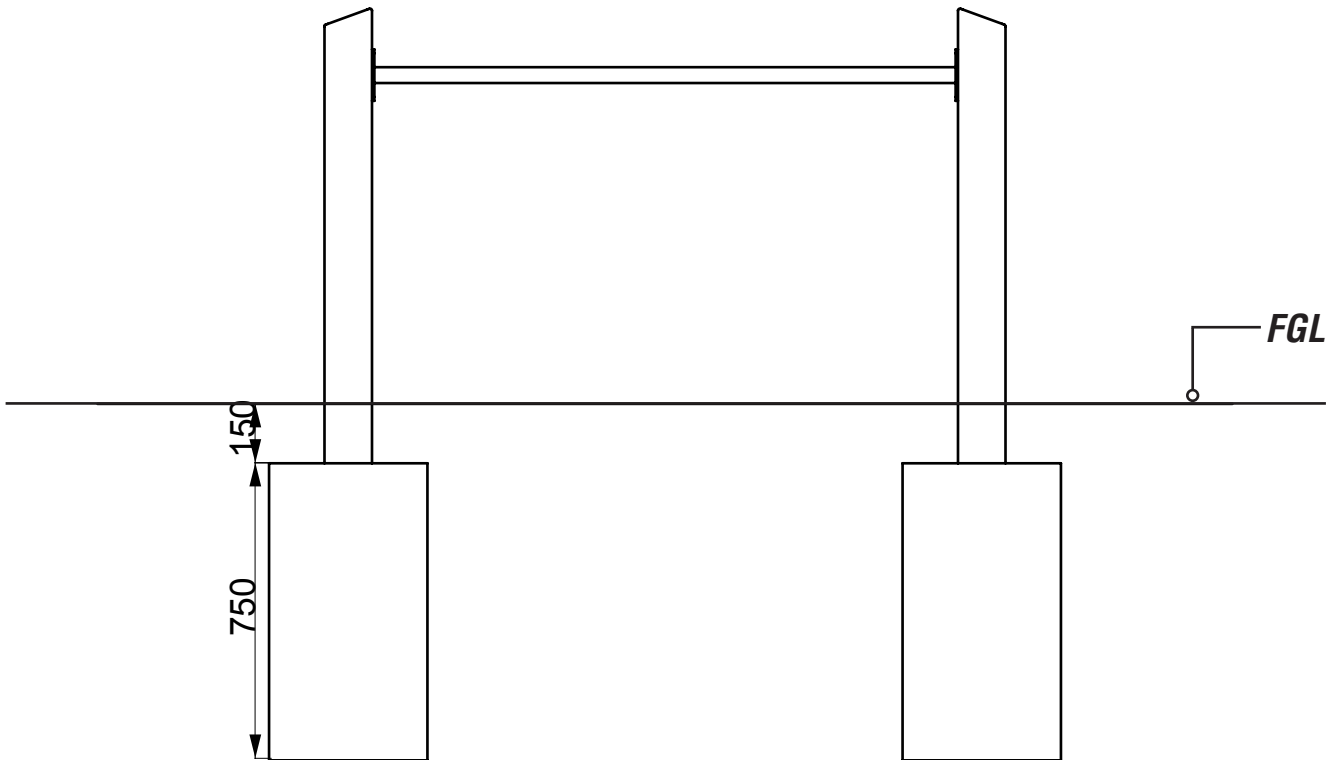
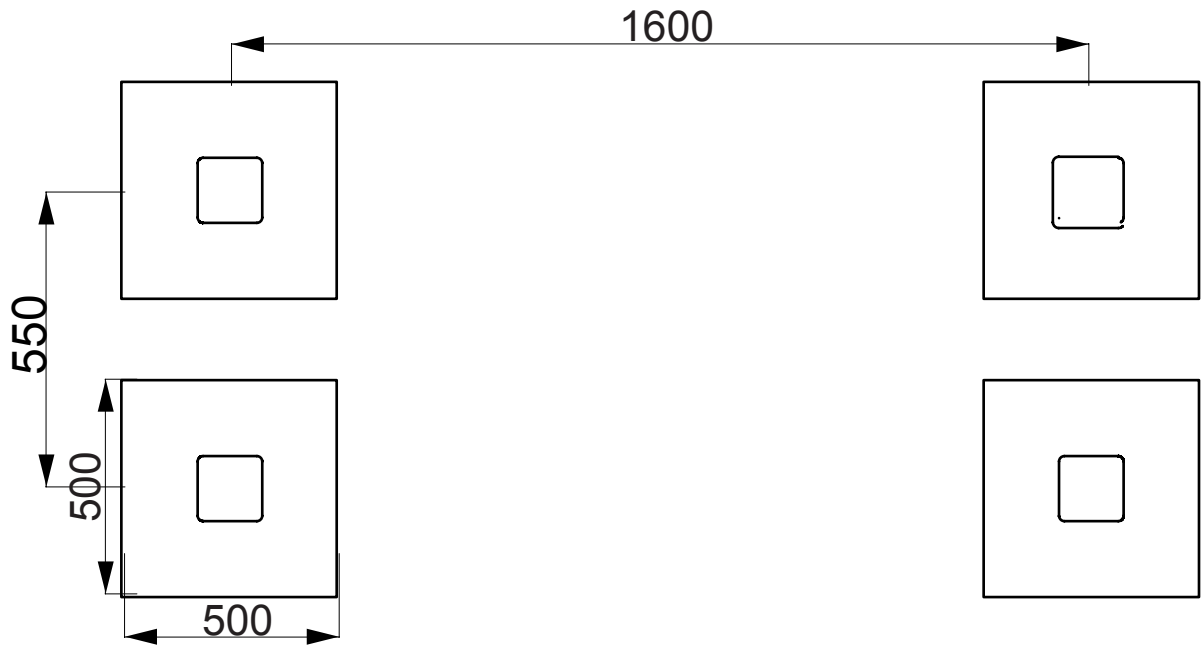


M8 X 80 SCREWS [X6]

TOOLS REQUIRED



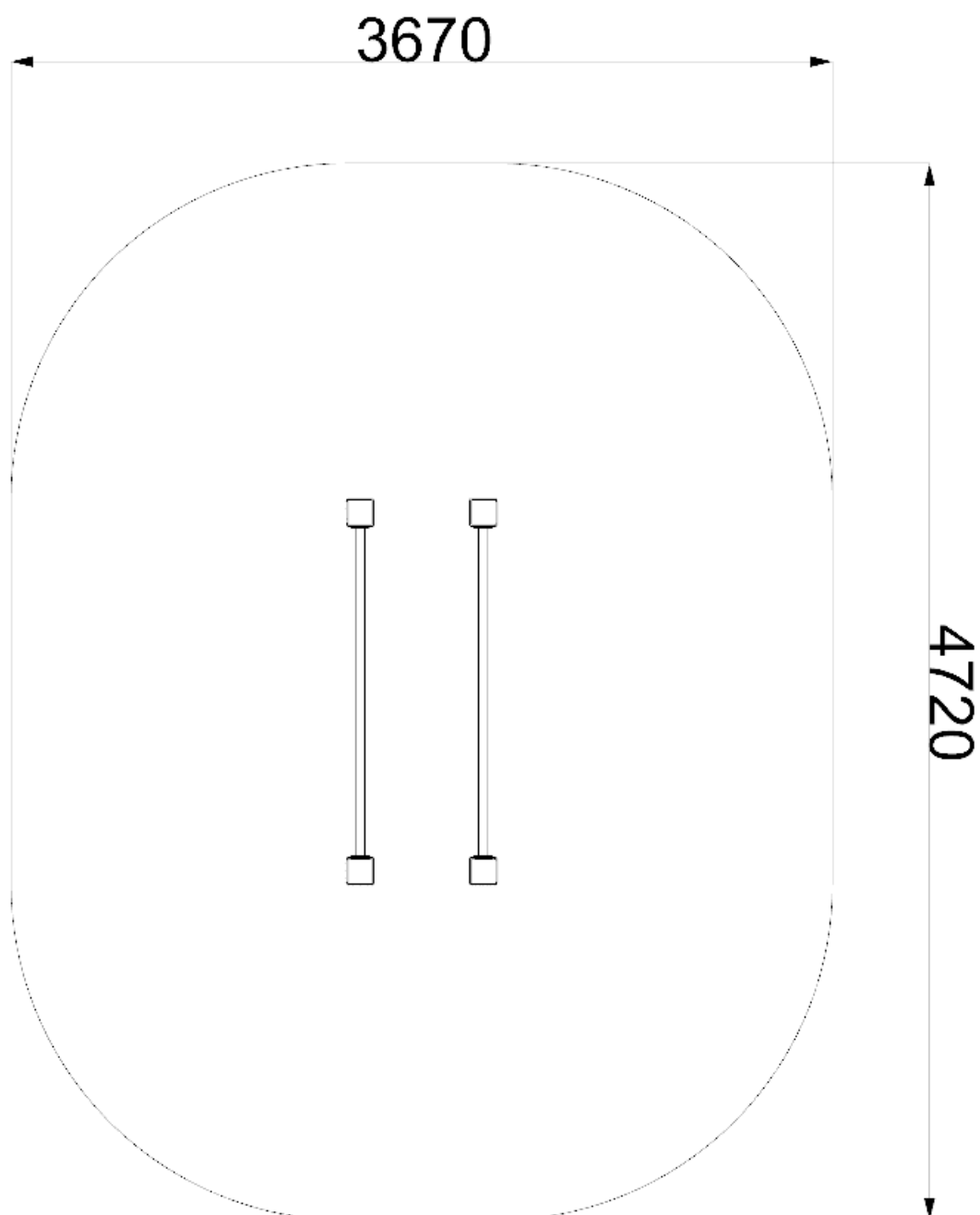
FOUNDATION DETAIL



SURFACING - OVERALL AREA

— = EN16630 STANDARD

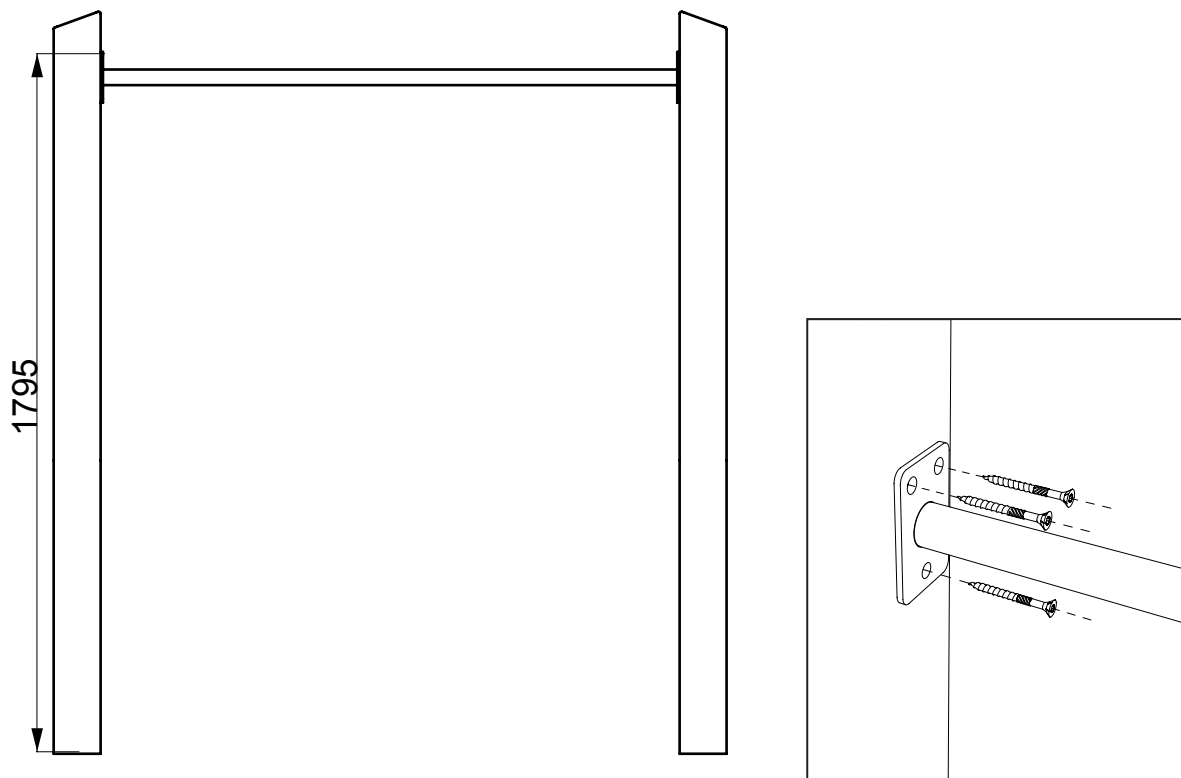
— = EN11-76/77 STANDARD



INSTALLATION INSTRUCTIONS

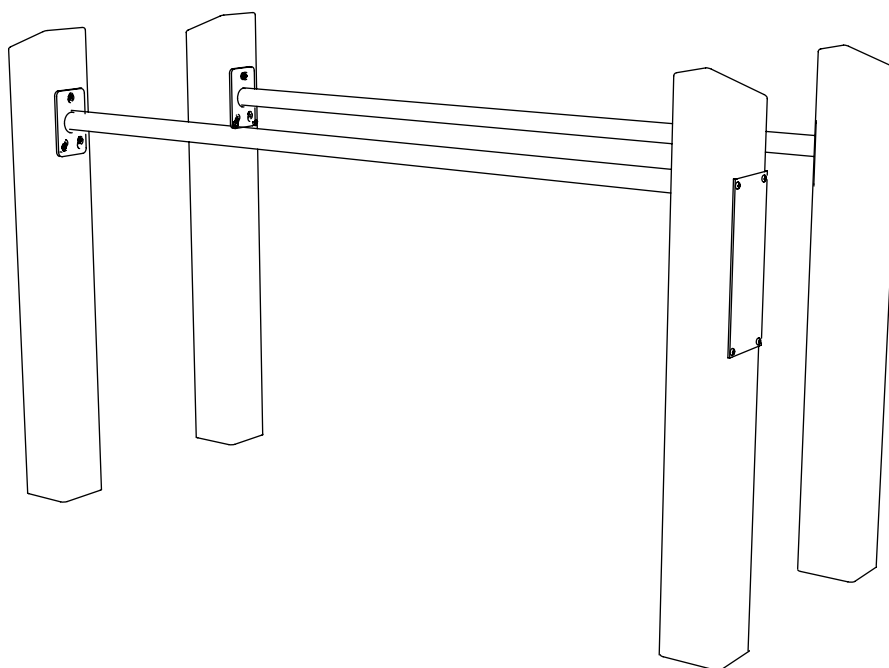
1

ATTACH STANDARD BAR TO GM104-A AND GM104-B TIMBERS
USING M8X80 SCREWS



2

INSTALL GYM104 INTO THE GROUND



ADDITIONAL MEASUREMENTS

