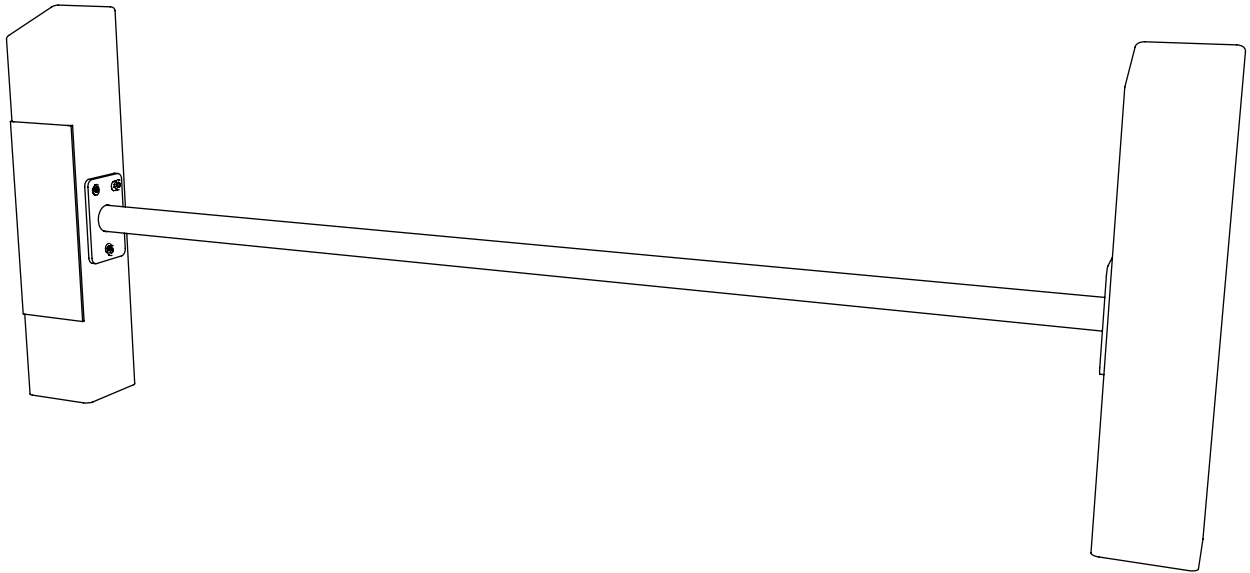
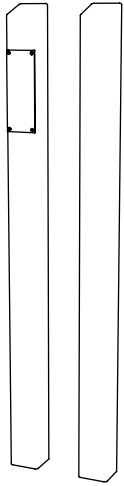


GYM103L - PRESS UP BARS - JUNIOR (LOW)
Installation Instructions

**creative
play**



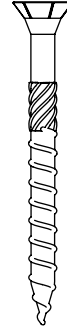
PARTS REQUIRED



GM103L-A & GM103L-B

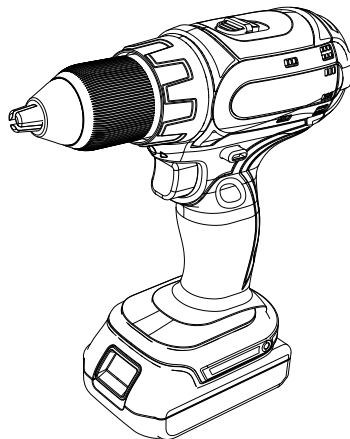
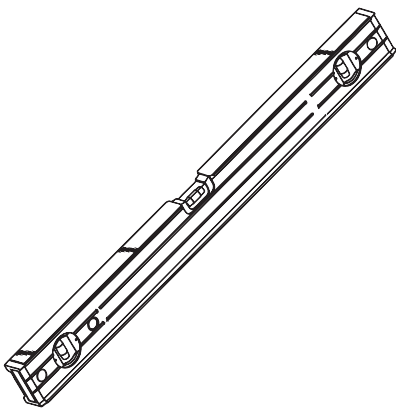


STANDARD BAR - 1480mm [X1]

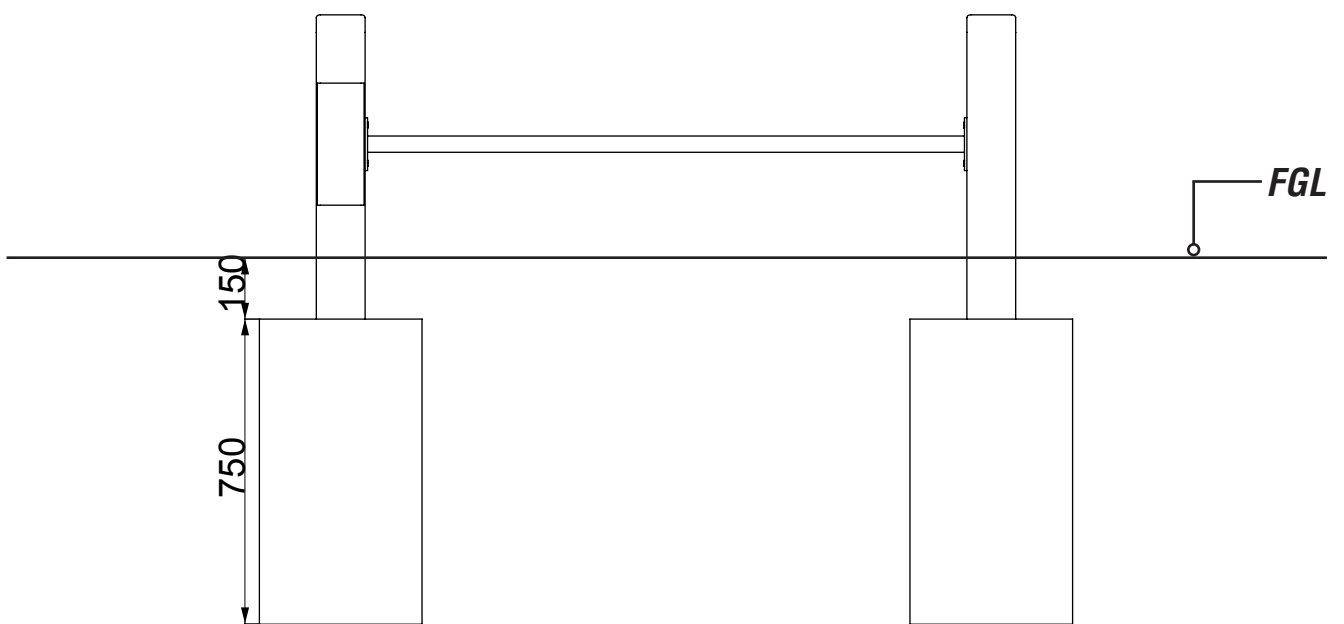
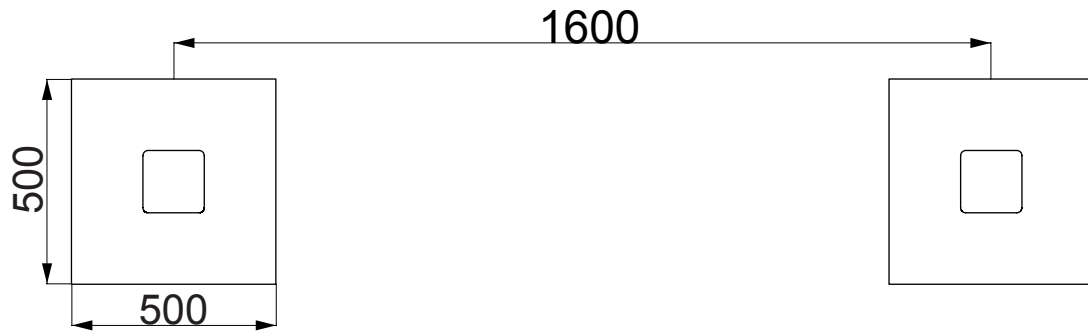


M8 X 80 SCREWS [X6]

TOOLS REQUIRED



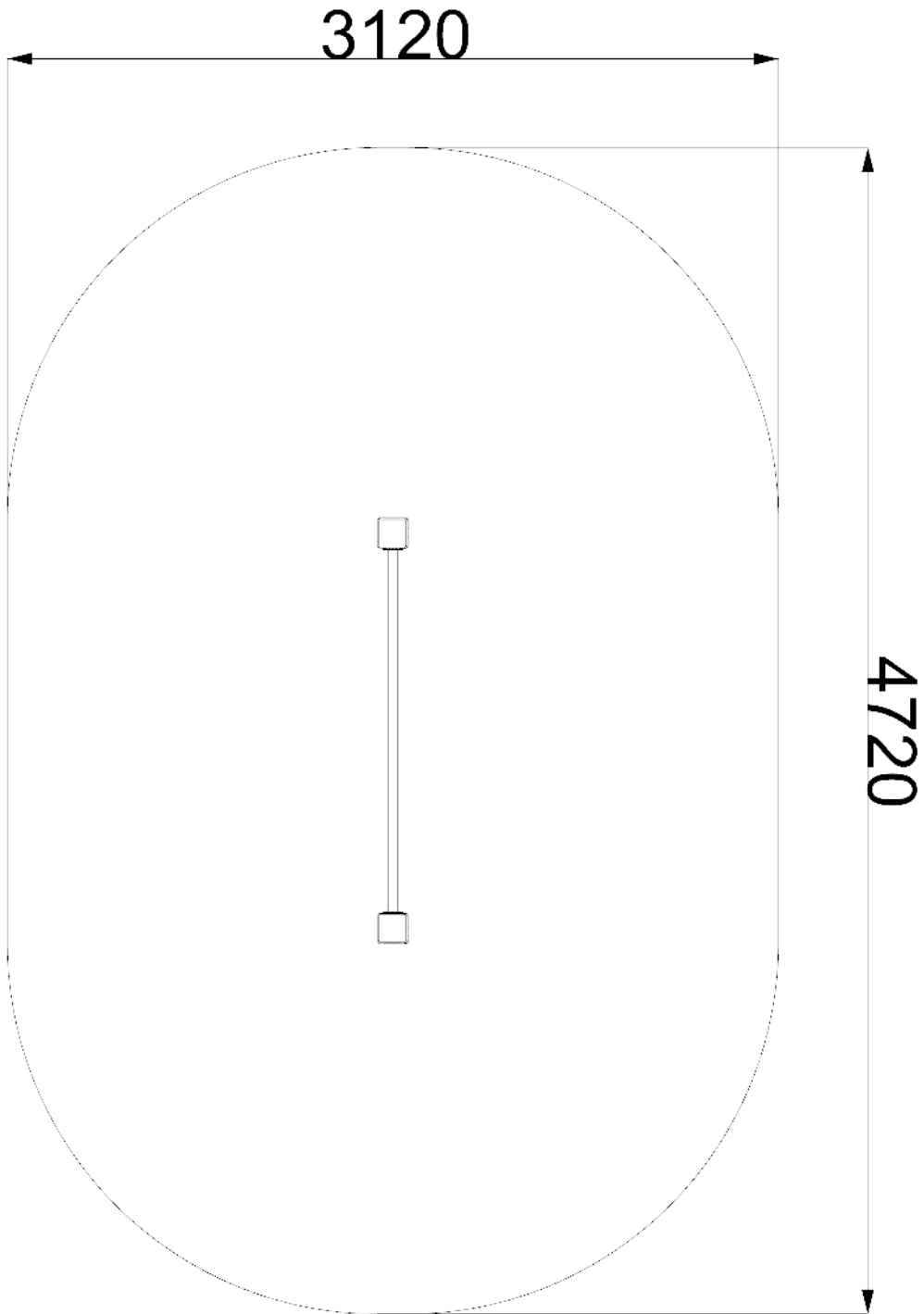
FOUNDATION DETAIL



SURFACING - OVERALL AREA

----- = MINIMUM SPACE

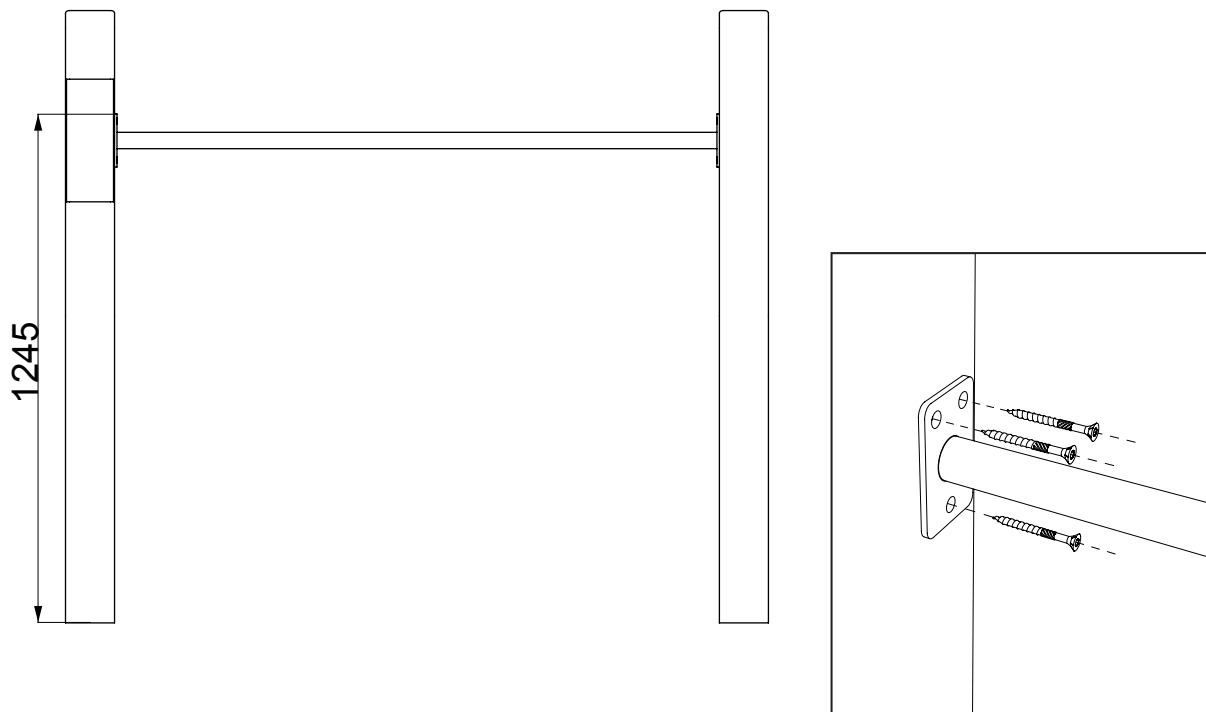
————— = SURFACE AREA



INSTALLATION INSTRUCTIONS

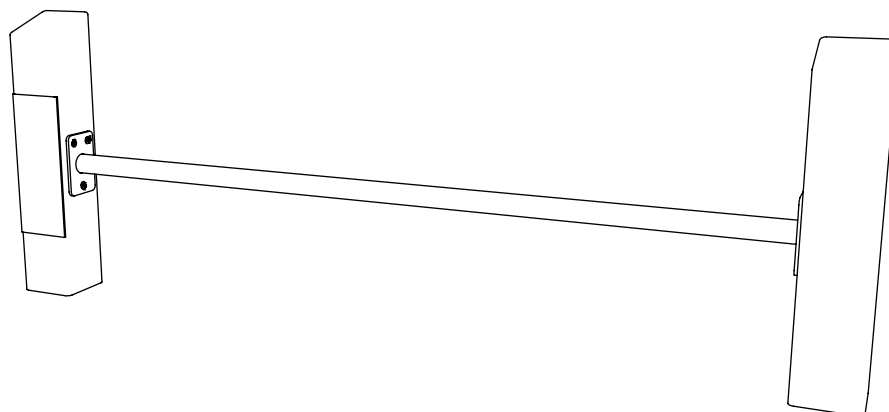
1

**ATTACH STANDARD BAR TO GM102-A, GM102-B AND GM102-C TIMBERS
USING M8X80 SCREWS**



2

INSTALL GYM103 INTO THE GROUND



ADDITIONAL MEASUREMENTS

