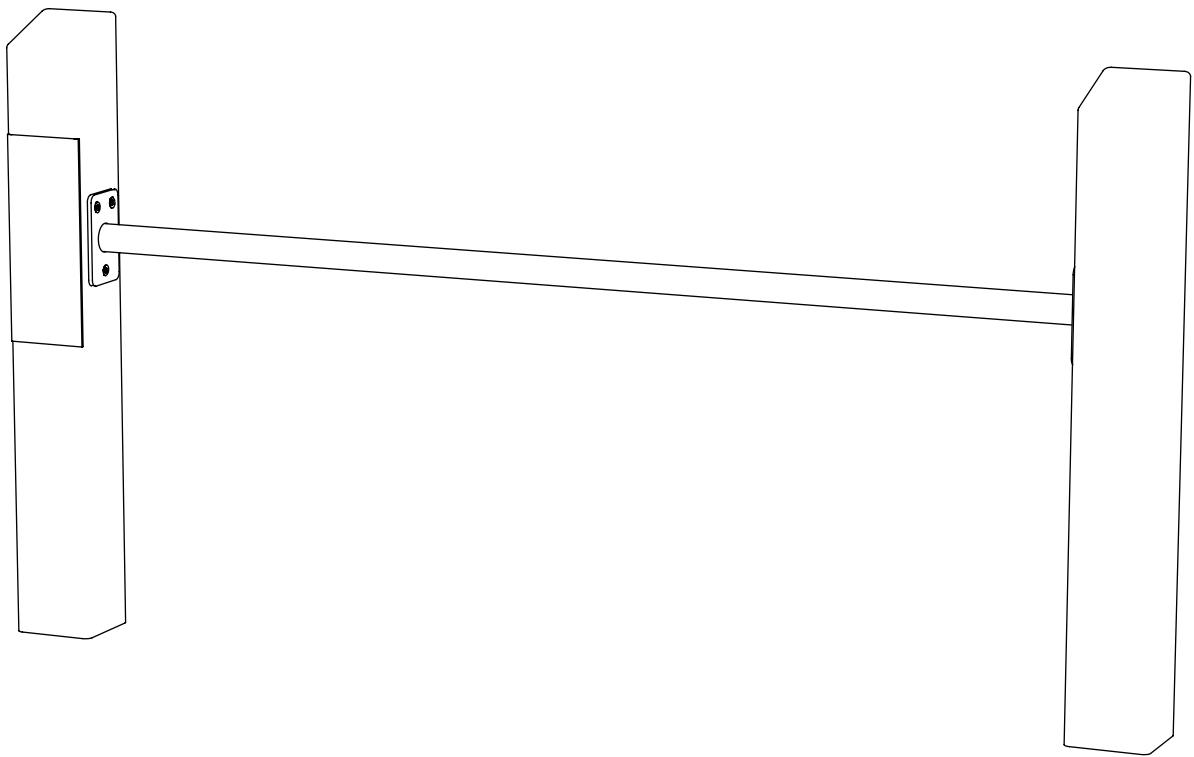


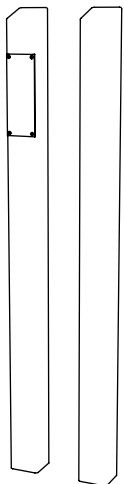
GYM103H - PRESS UP BARS - JUNIOR (HIGH)

Installation Instructions

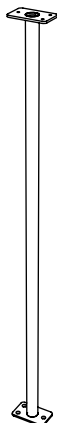
**creative
play**



PARTS REQUIRED



GM103H-A & GM103H-B

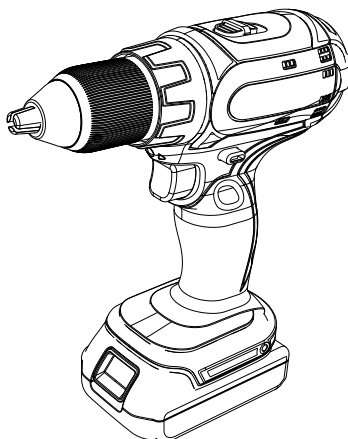
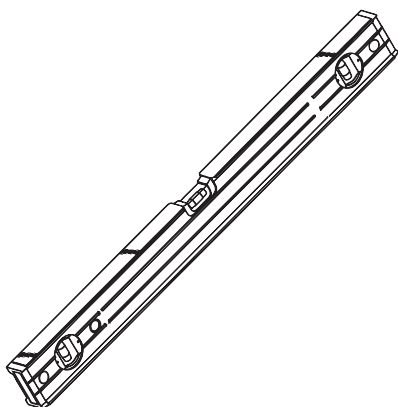


STANDARD BAR - 1480mm [X1]

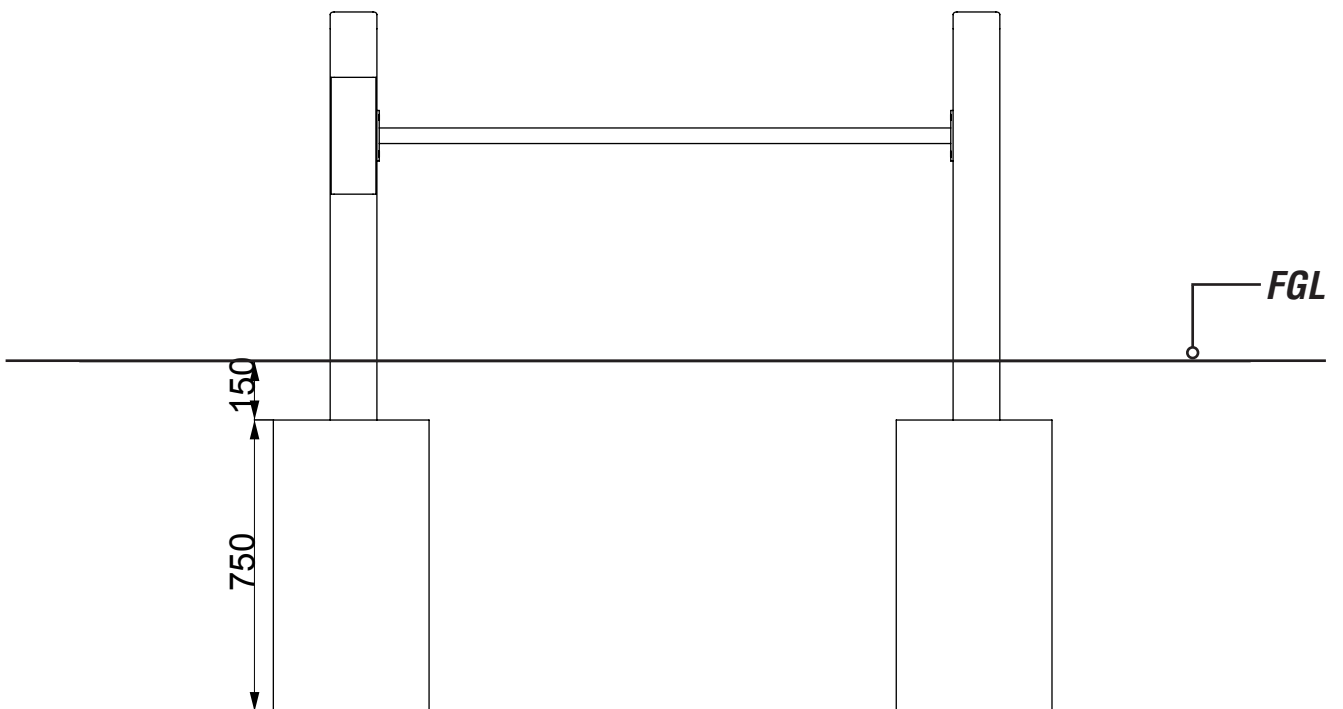
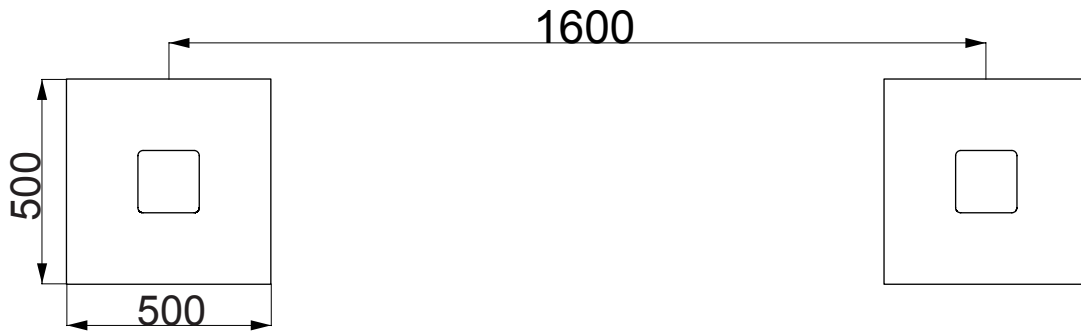


M8 X 80 SCREWS [X6]

TOOLS REQUIRED



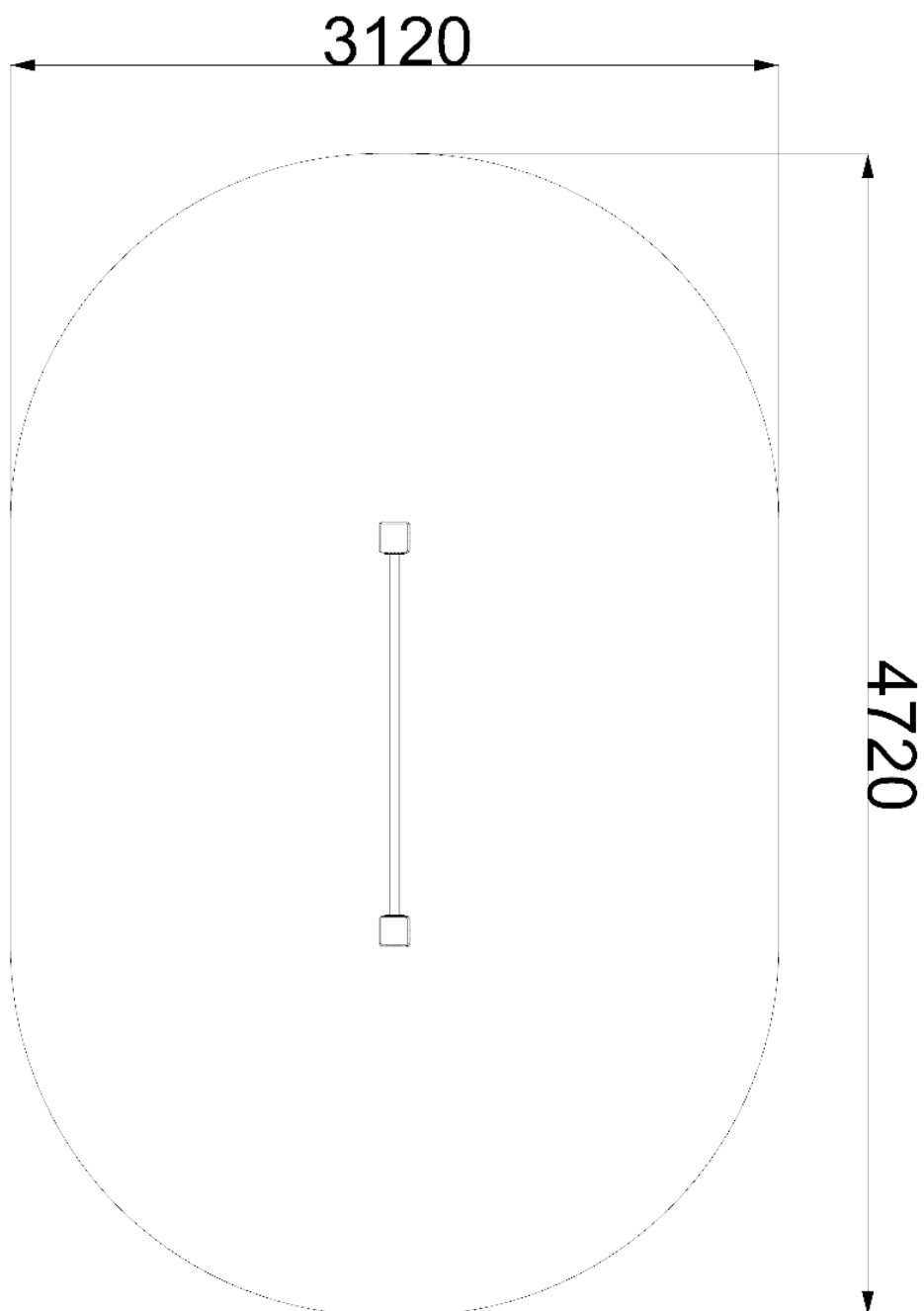
FOUNDATION DETAIL



SURFACING - OVERALL AREA

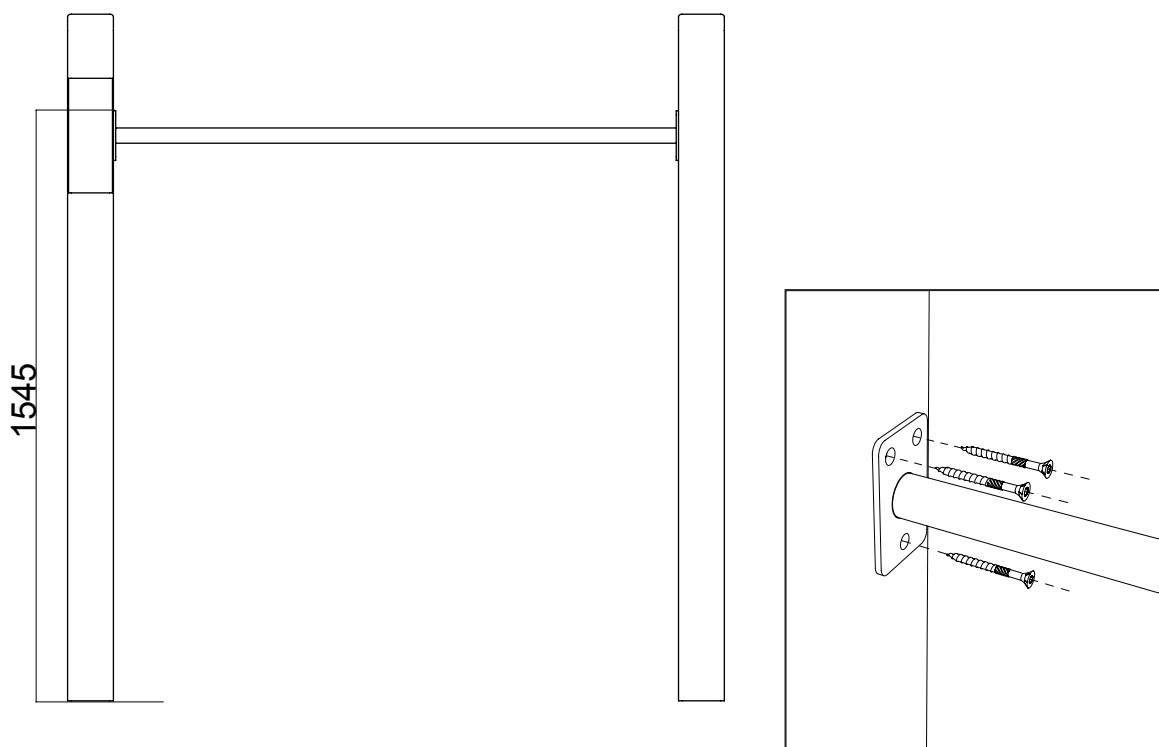
— = EN16630 STANDARD

— = EN11-76/77 STANDARD

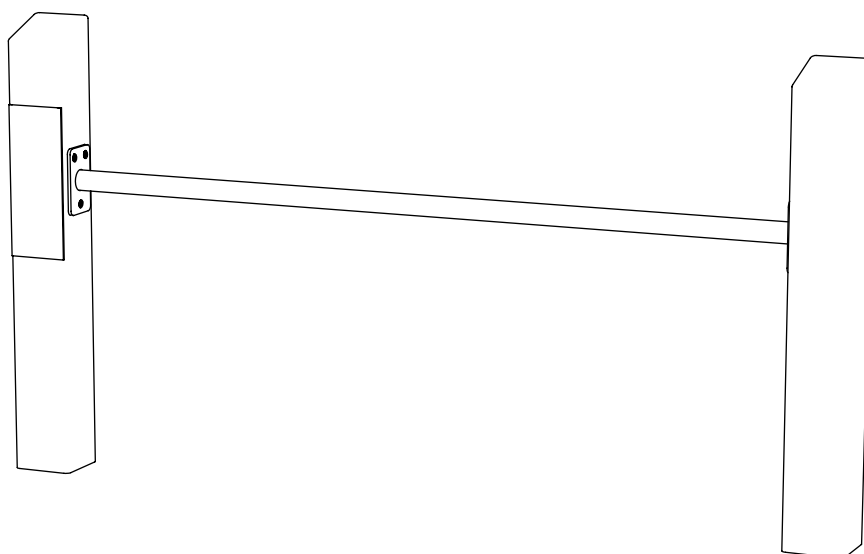


INSTALLATION INSTRUCTIONS

- 1** ATTACH STANDARD BAR TO GM103H-A AND GM103H-B TIMBERS
USING M8X80 SCREWS



- 2** INSTALL GYM103 INTO THE GROUND



ADDITIONAL MEASUREMENTS

