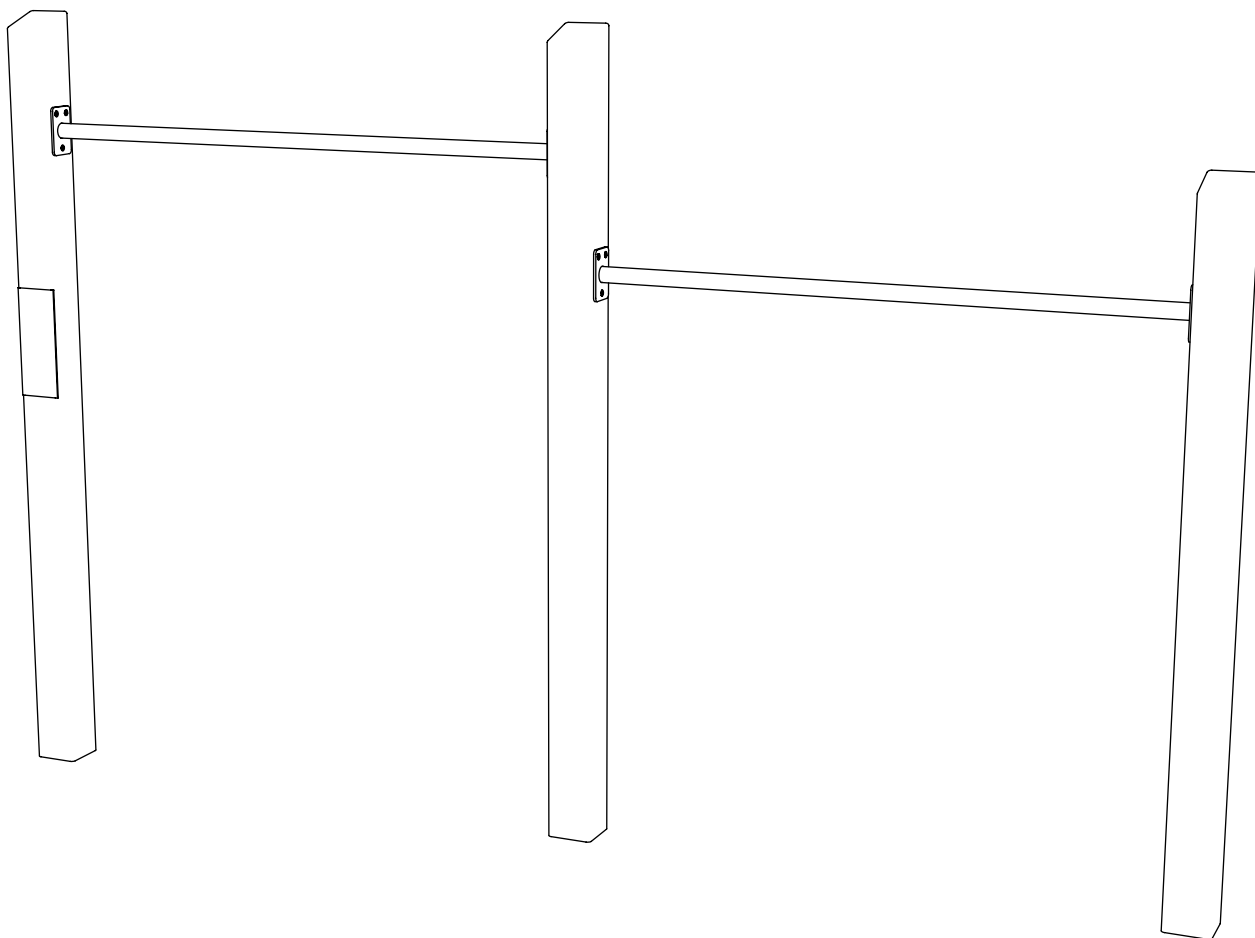


GYM102 - PULL UP BARS - JUNIOR

Installation Instructions

**creative
play**



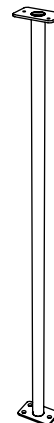
PARTS REQUIRED



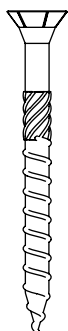
GYM102-A & GYM102-B



GYM102-C

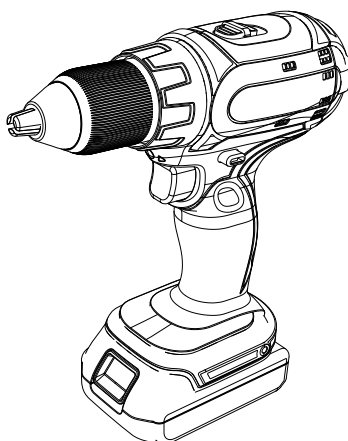
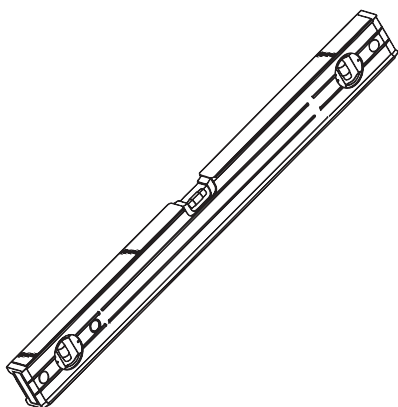


STANDARD BAR - 1480mm [X2]

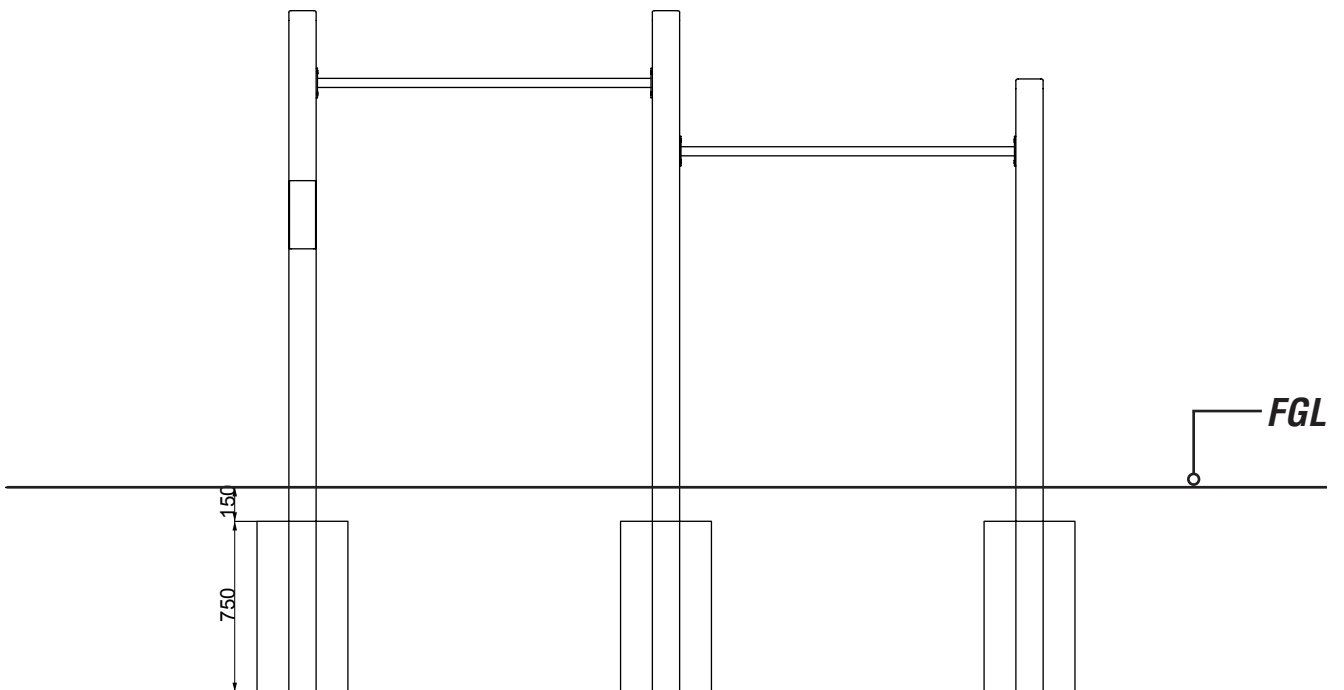
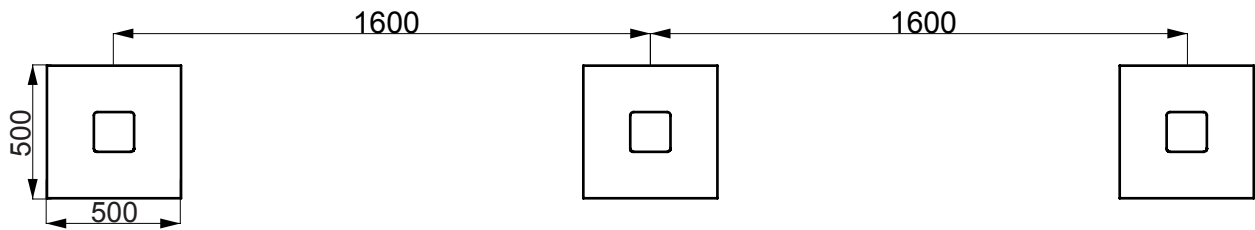


M8 X 80 SCREWS [X12]

TOOLS REQUIRED



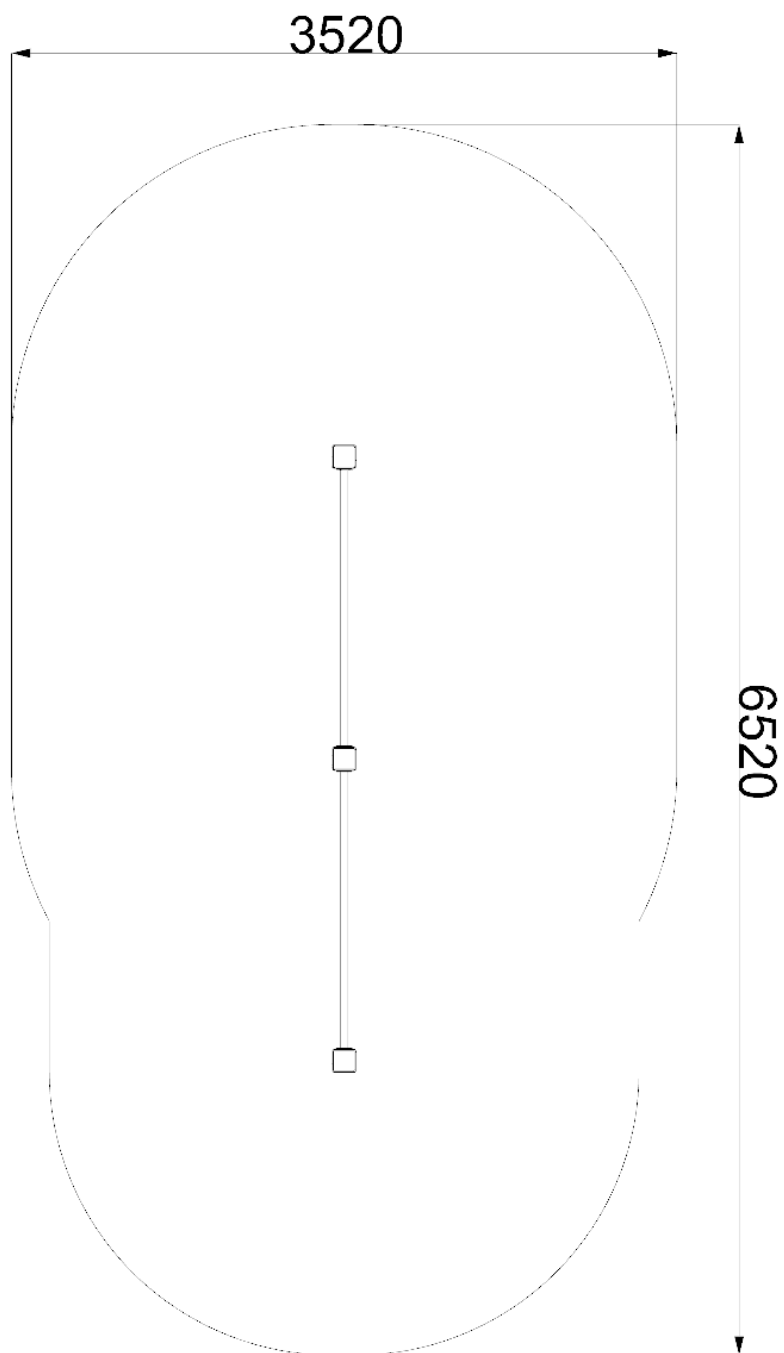
FOUNDATION DETAIL



SURFACING - OVERALL AREA

— = EN16630 STANDARD

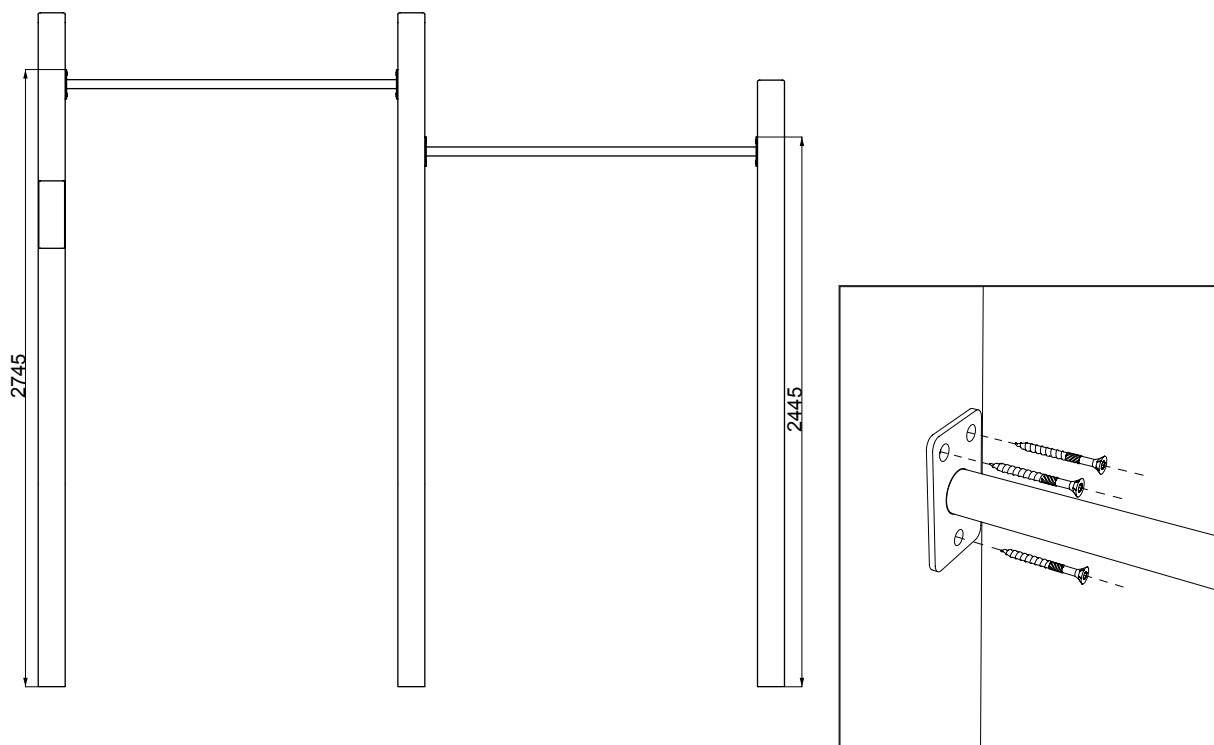
— = EN11-76/77 STANDARD



INSTALLATION INSTRUCTIONS

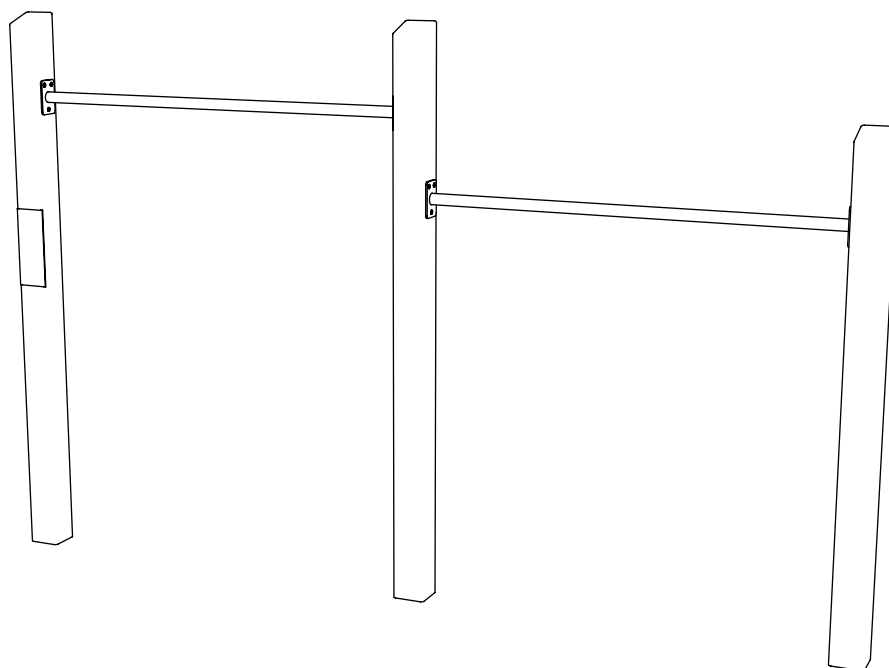
1

ATTACH STANDARD BAR TO GM102-A, GM102-B AND GM102-C TIMBERS
USING M8X80 SCREWS



2

INSTALL GYM102 INTO THE GROUND



ADDITIONAL MEASUREMENTS

