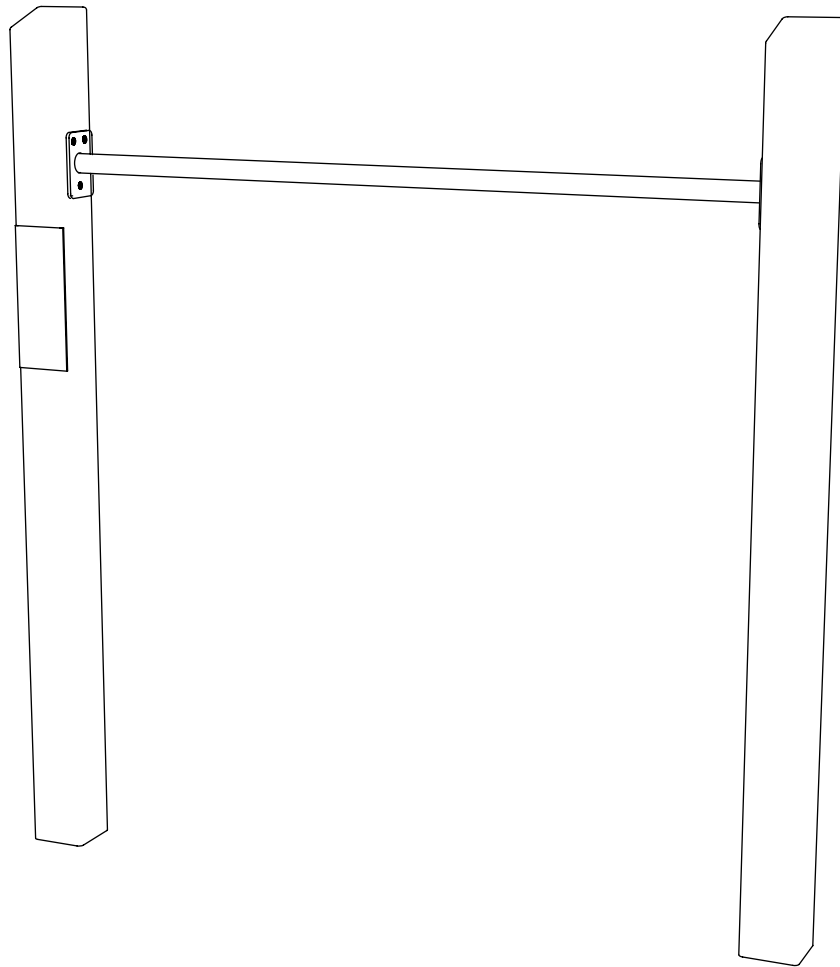


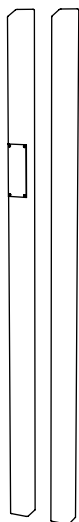
**GYM101L - CHIN UP BARS - JUNIOR (LOW)**  
*Installation Instructions*

*creative  
play*



## ***PARTS REQUIRED***

---



***GYM101L-A & GYM101L-B***



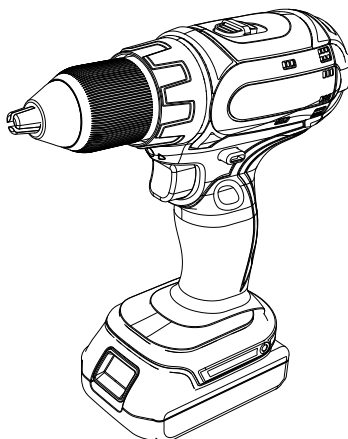
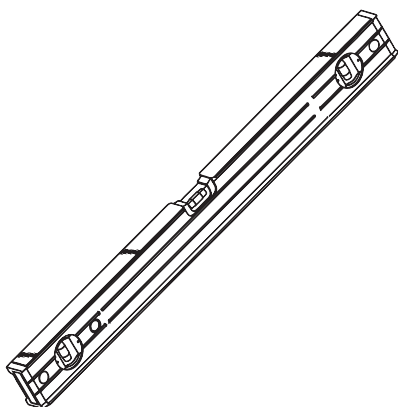
***STANDARD BAR - 1480mm [X1]***



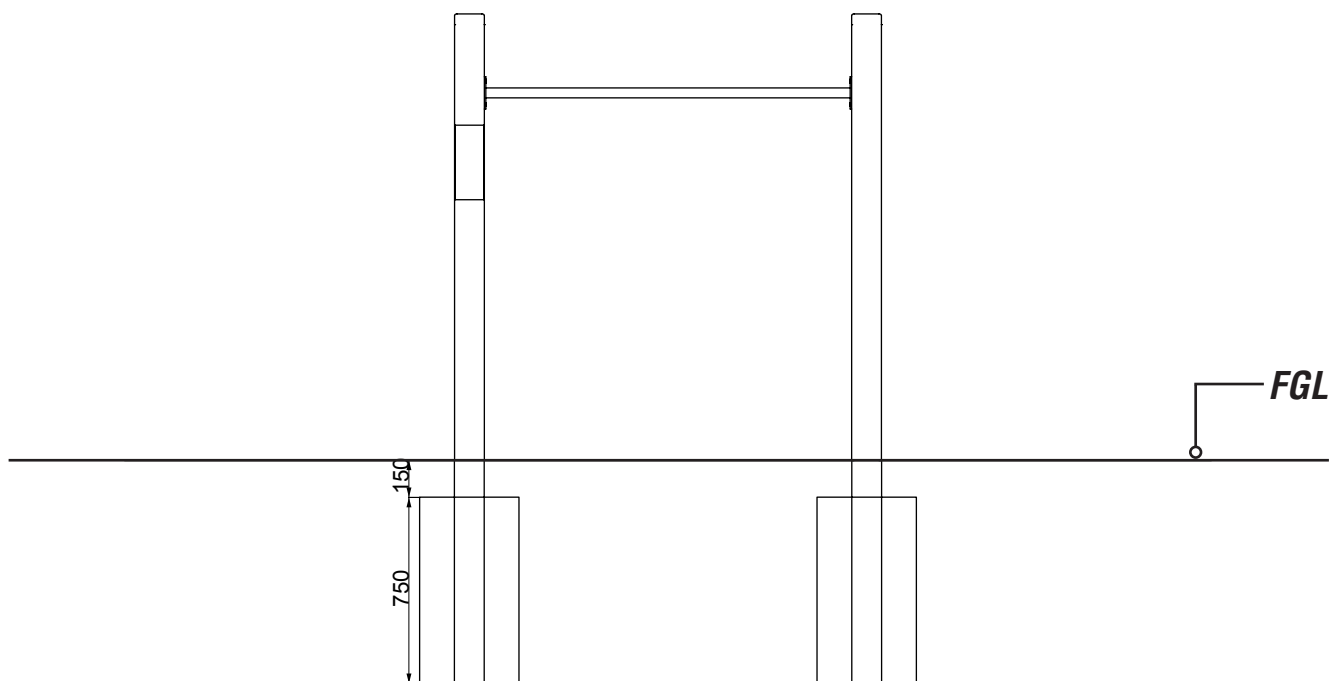
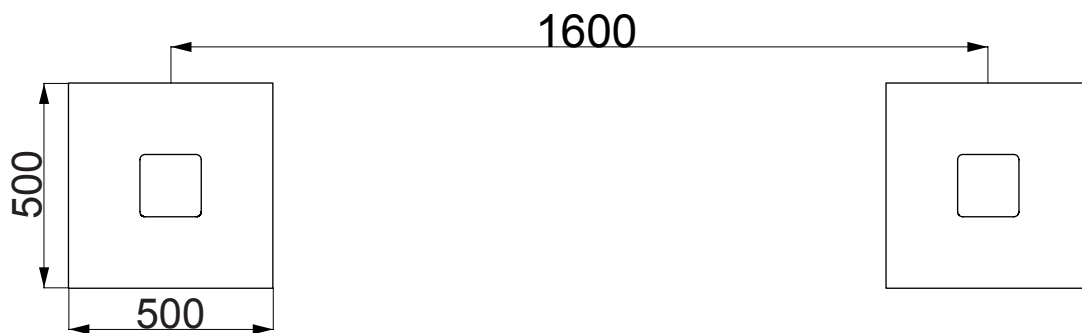
***M8 X 80 SCREWS***

## ***TOOLS REQUIRED***

---



# FOUNDATION DETAIL

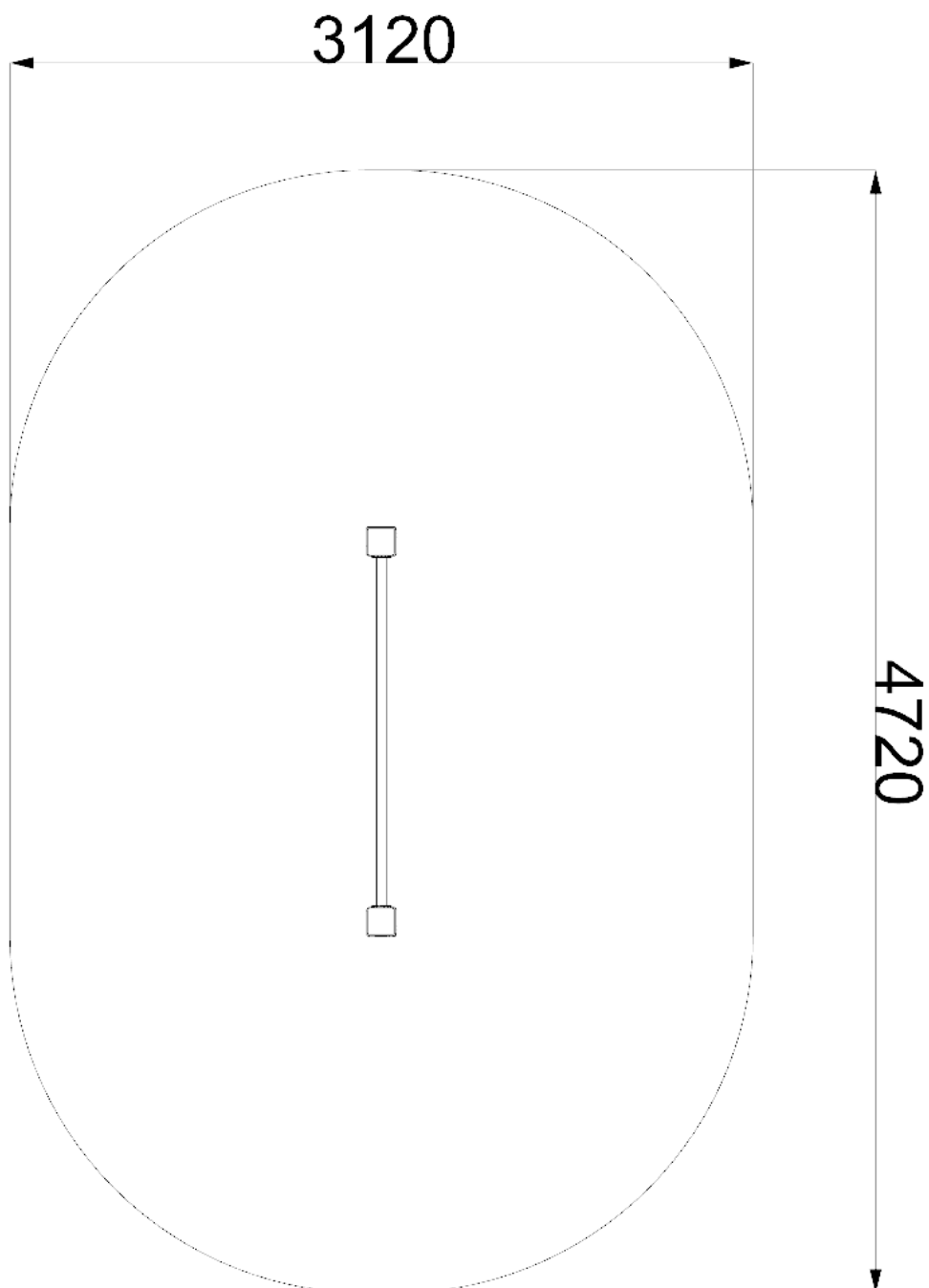


# ***SURFACING - OVERALL AREA***

---

***— = EN16630 STANDARD***

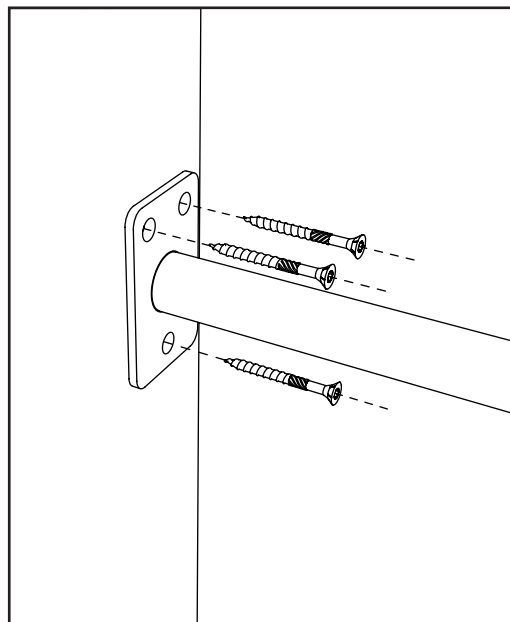
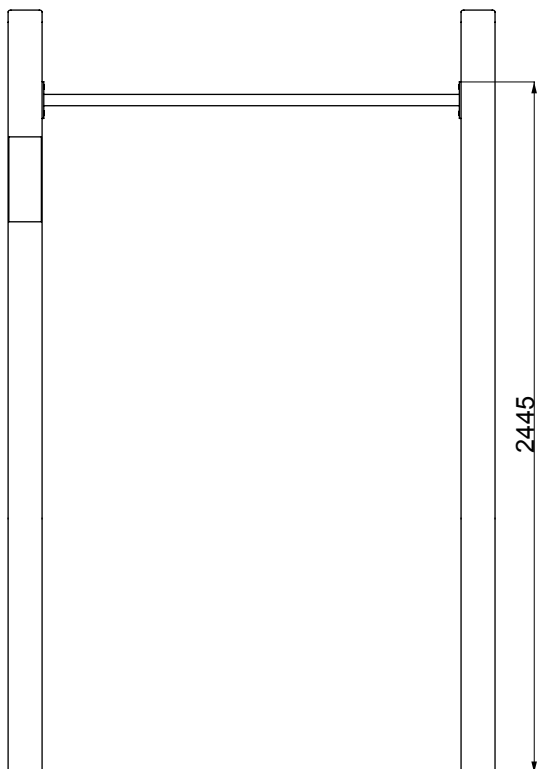
***— = EN11-76/77 STANDARD***



# INSTALLATION INSTRUCTIONS

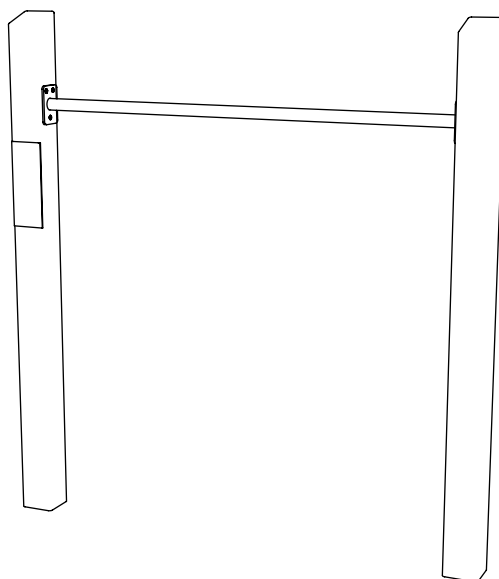
**1**

**ATTACH STANDARD BAR TO GM101L-A AND GM101L-B TIMBERS**  
USING M8X80 SCREWS



**2**

**INSTALL GYM101H INTO THE GROUND**



# ***ADDITIONAL MEASUREMENTS***

---

