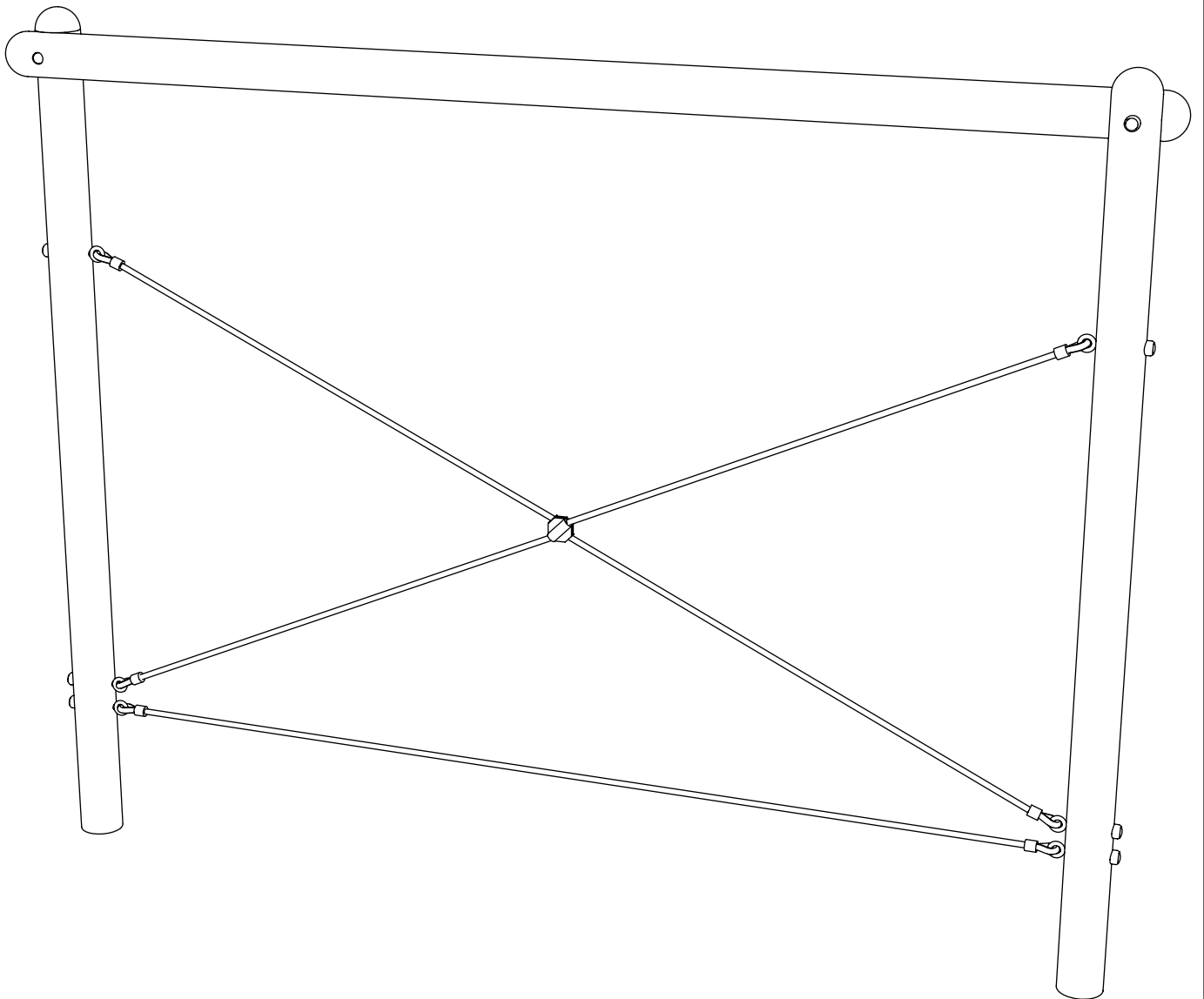


CH150-R - ROPE CROSS

Installation Instructions

**creative
play**

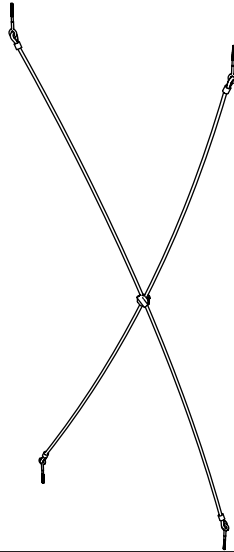


PARTS REQUIRED

TIMBER LIST

- R-150A [X2]
- R-150B [X1]

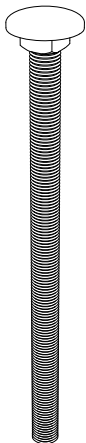
TIMBER LIST



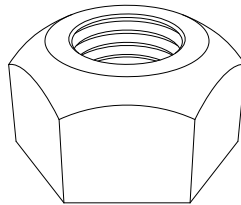
ROPE ASSEMBLY [X1]



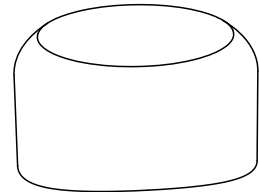
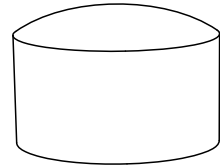
R2 [X1]



M12 X 200 BOLTS [X2]

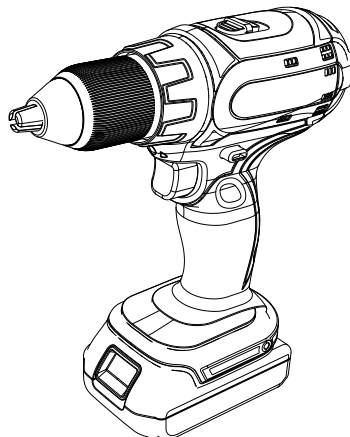
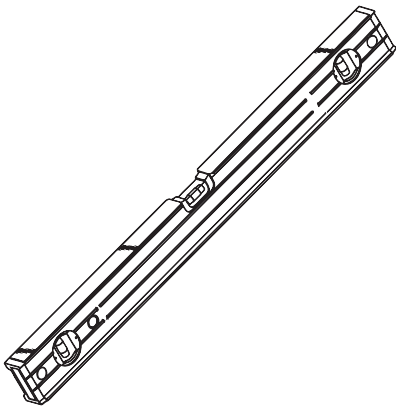


M10 [X6] & M12 NYLOCS [X2]



COVERED END R-60 [X8]

TOOLS REQUIRED

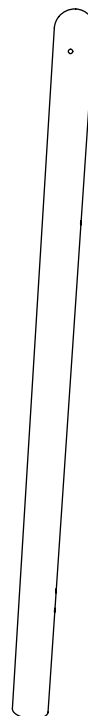


INSTALLATION INSTRUCTIONS

1

INSTALL R-150A TIMBERS INTO THE GROUND

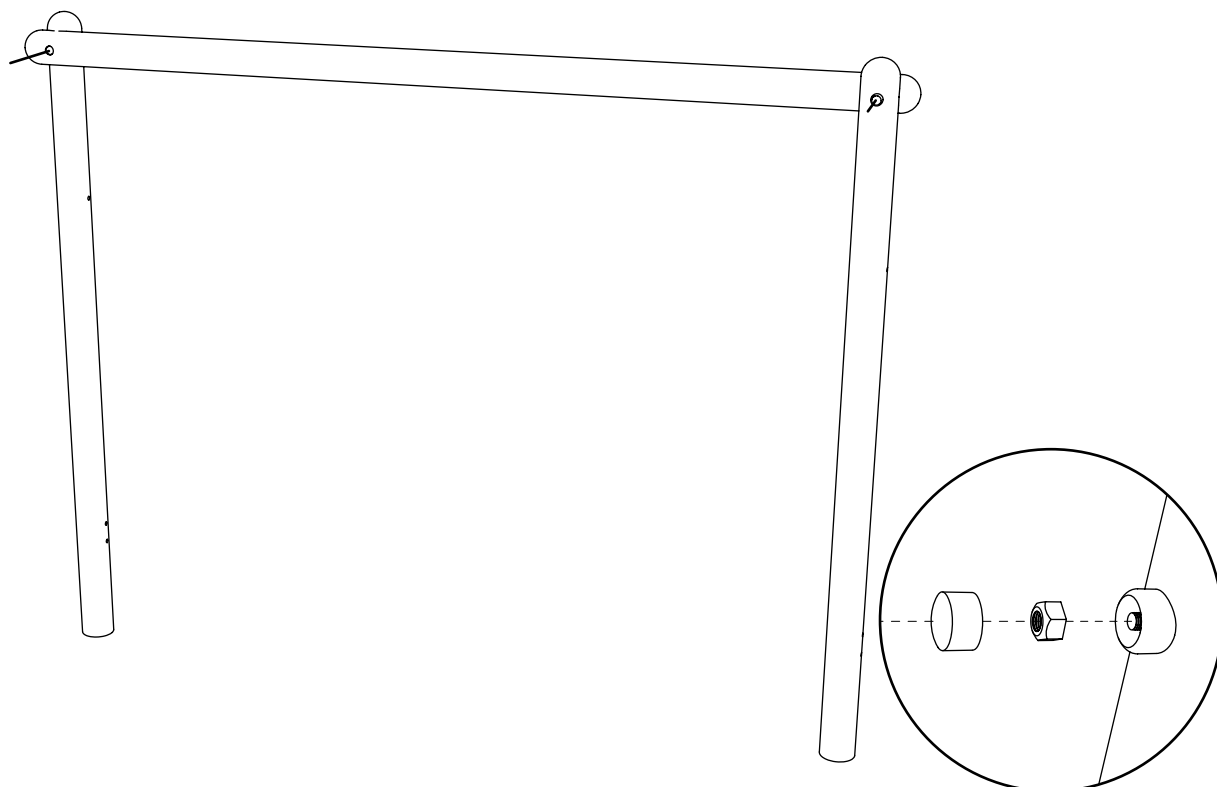
ENSURE 3X HOLES ARE FACING EACHOTHER



2

FIX R-150B TO R-150A

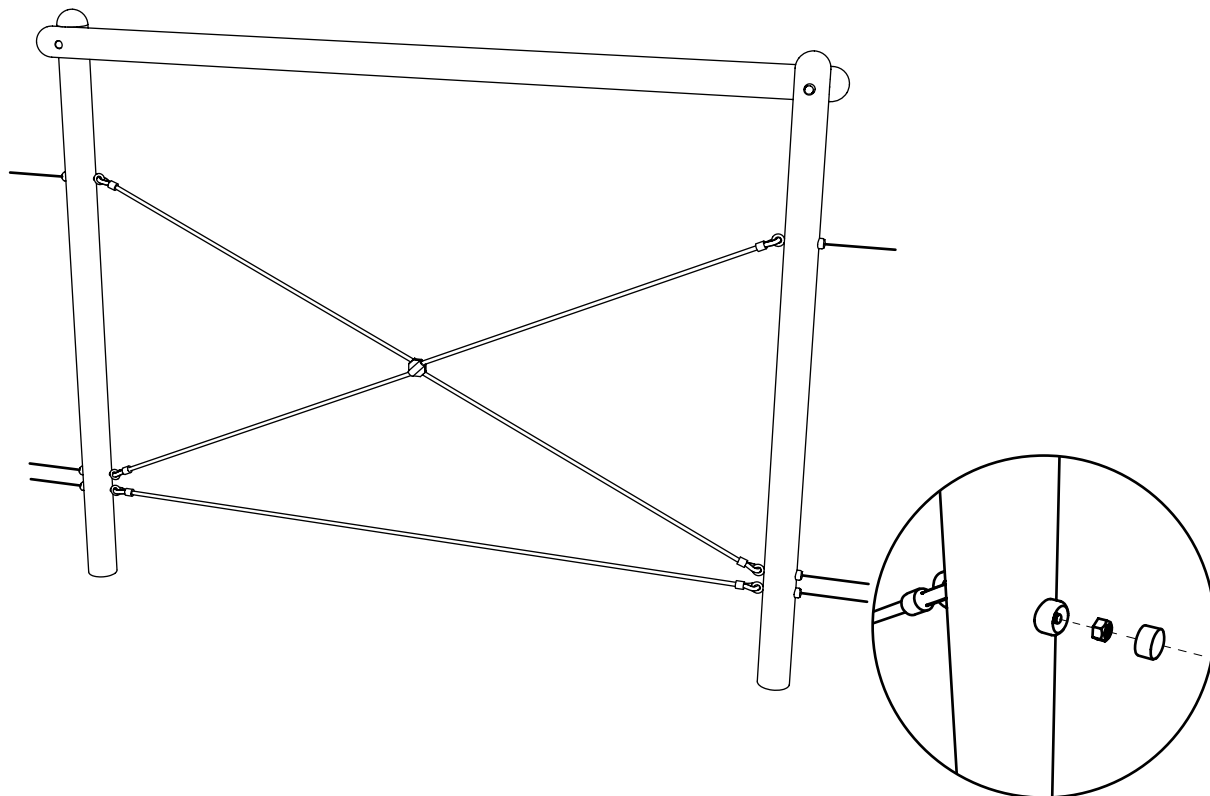
USING M12X200 BOLTS, M12 NYLOCS AND END CAPS



INSTALLATION INSTRUCTIONS

3

FIX ROPE ASSEMBLY AND R2 INTO PLACE
USING M10 NYLOCS AND ROUNDED COVERED ENDS



ADDITIONAL MEASUREMENTS

