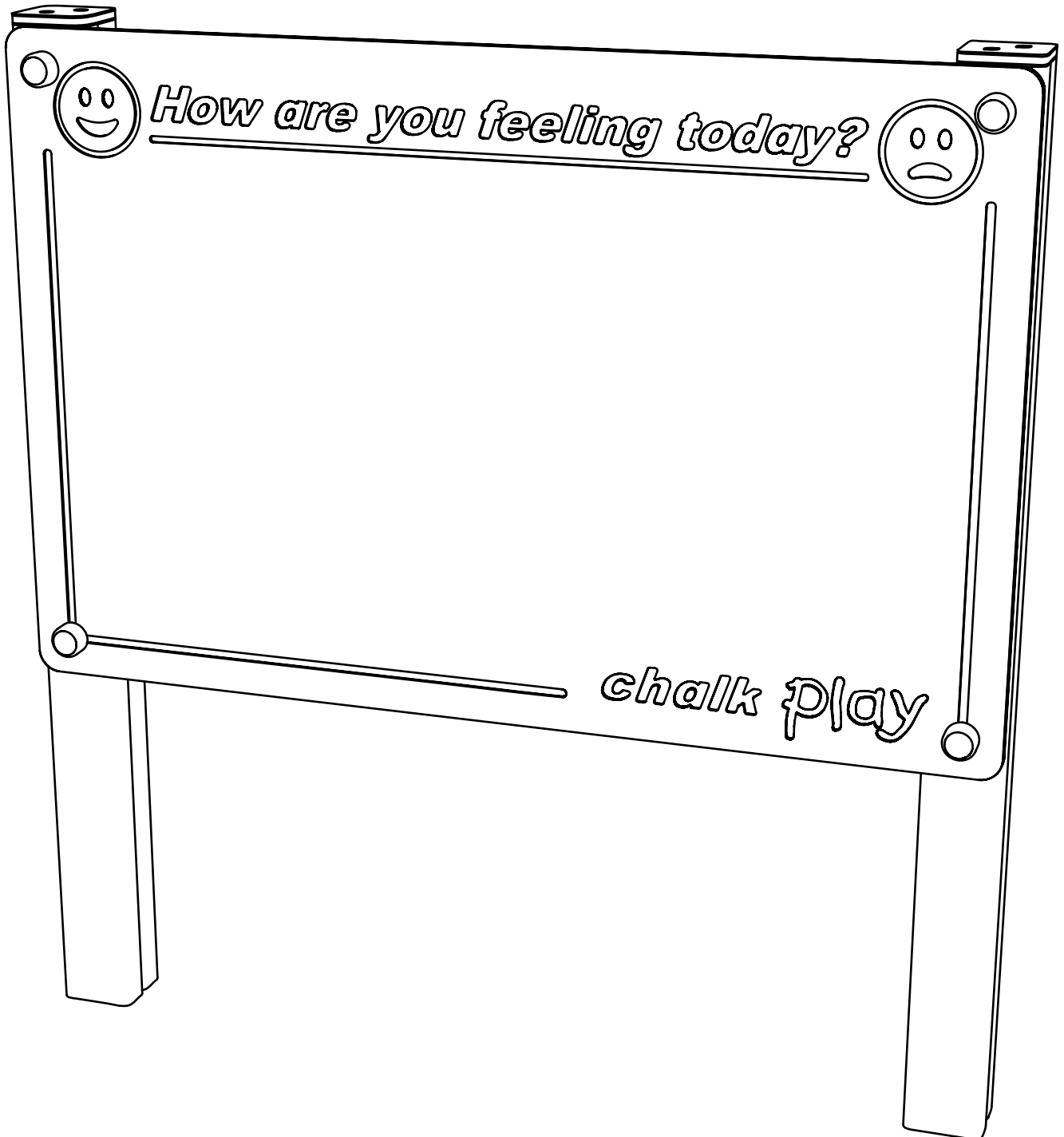


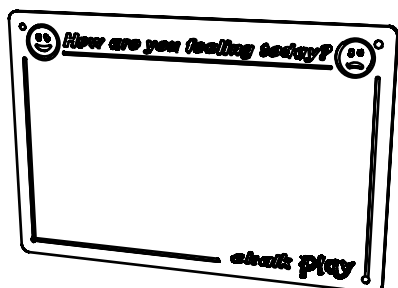
PB101A - CHALK BOARD MOOD

Installation Instructions

*creative
play*



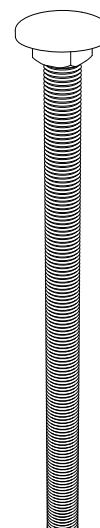
PARTS REQUIRED



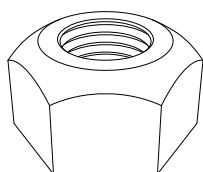
CHALK BOARD MOOD



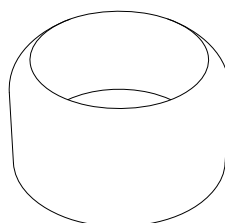
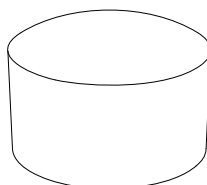
PB1 [X2]



M12X120 BOLTS

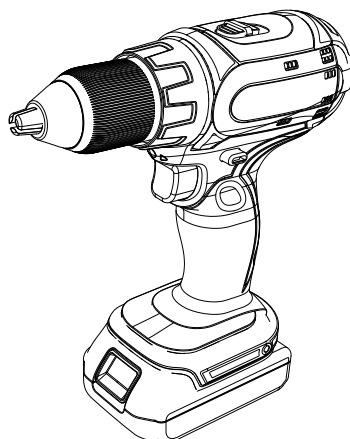
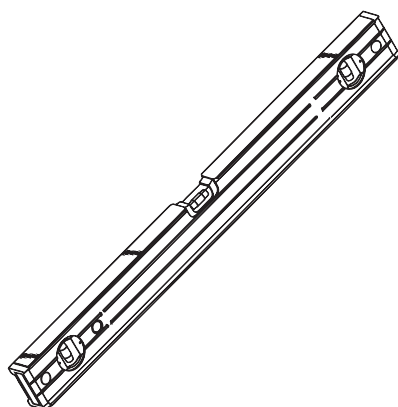


M12 NYLOCS



END CAPS

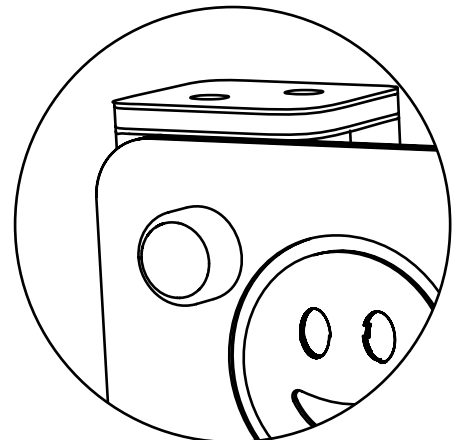
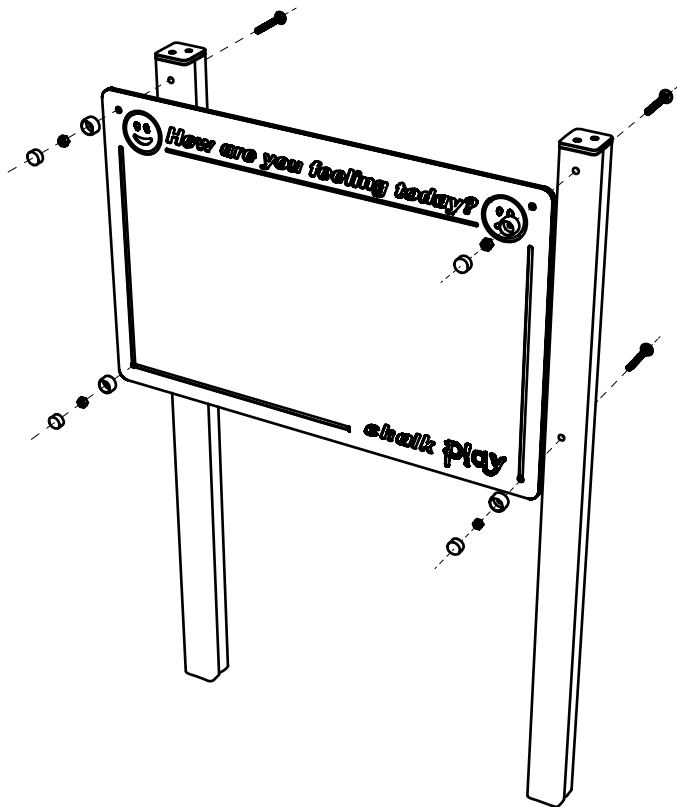
TOOLS REQUIRED



INSTALLATION INSTRUCTIONS

1

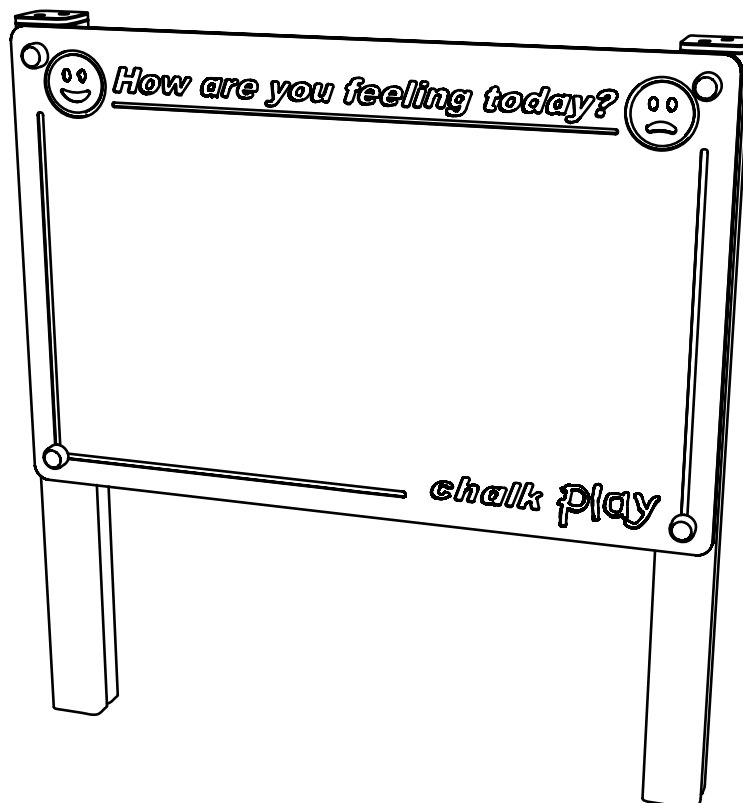
ATTACH THE CHALK BOARD MOOD TO THE PB1 TIMBERS
USING M12 X 120 BOLTS / NYLOCS / END CAPS



**END CAP MUST BE POSOTIONED
AT THE FRONT OF THE PANEL**

2

INSTALL ASSEMBLY INTO THE GROUND



ADDITIONAL DIMENSIONS

