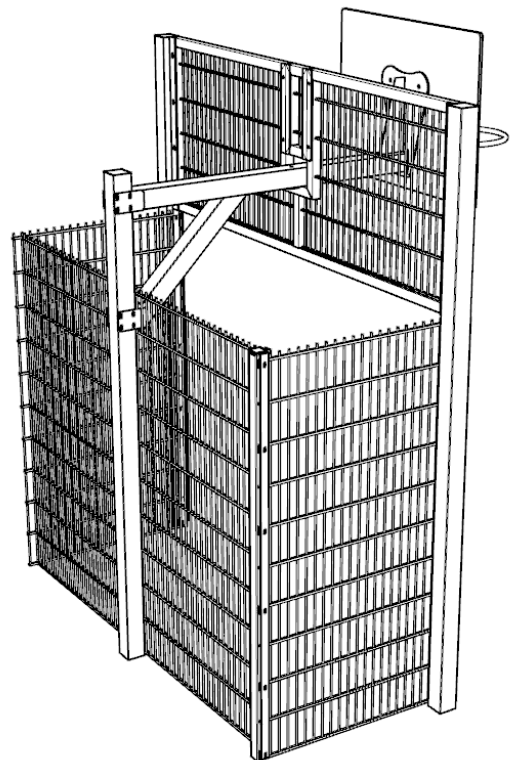
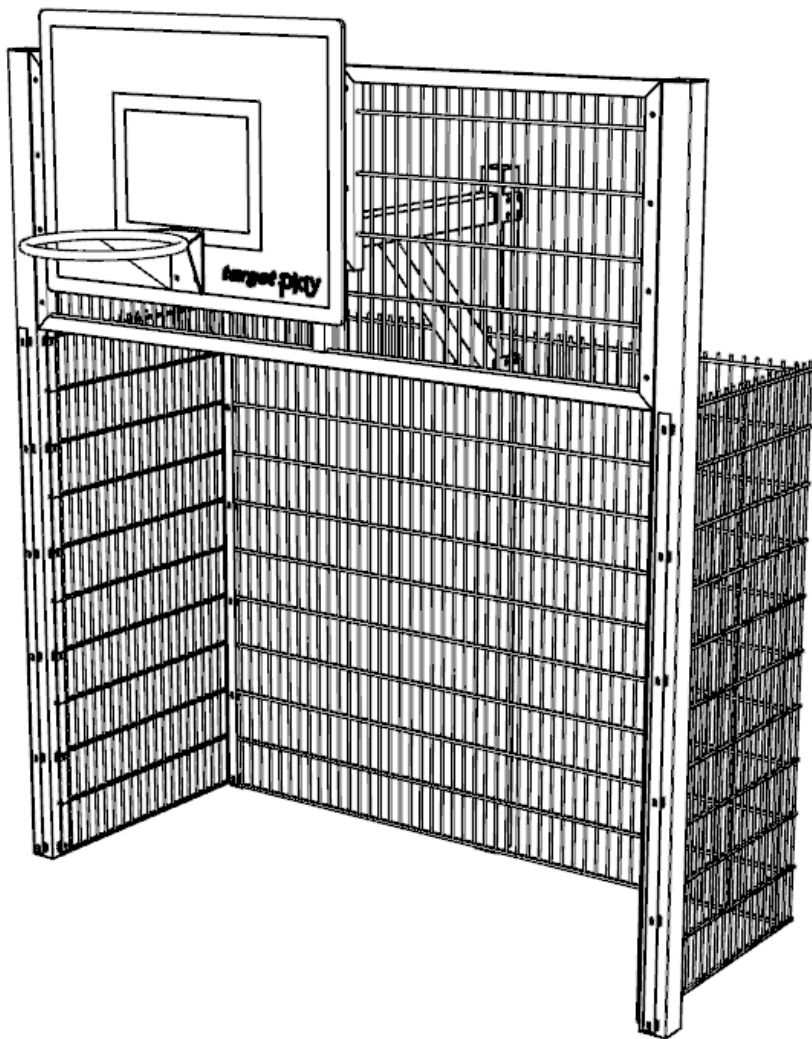
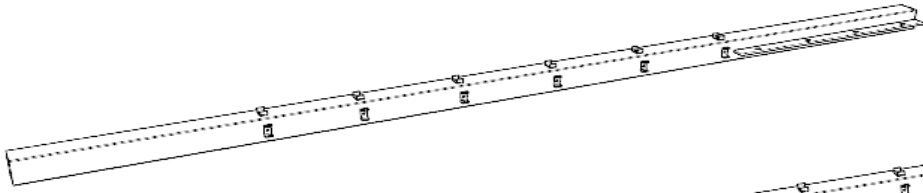


TG202/2 - GOAL END INC BASKETBALL Installation Instructions

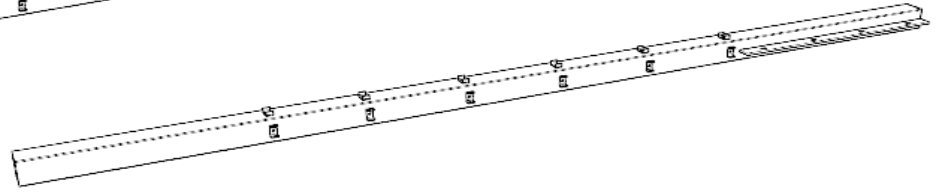


PARTS REQUIRED - METAL PARTS/PRE-ASSEMBLIES



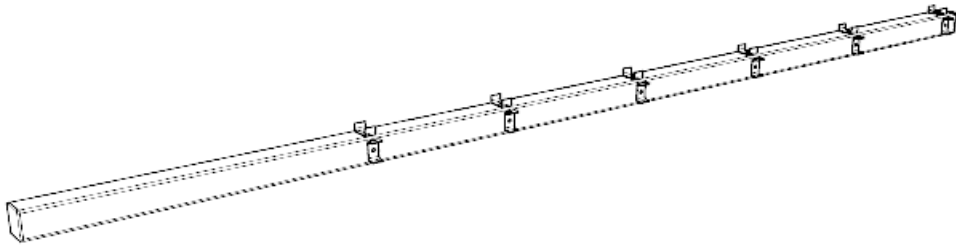
x1

TG202-a1 - FRONT LEFT UPRIGHT



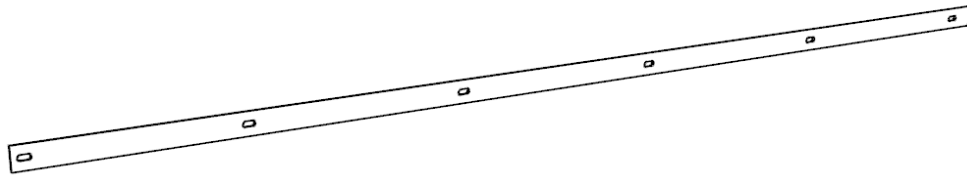
x1

TG202-a2 - FRONT RIGHT UPRIGHT



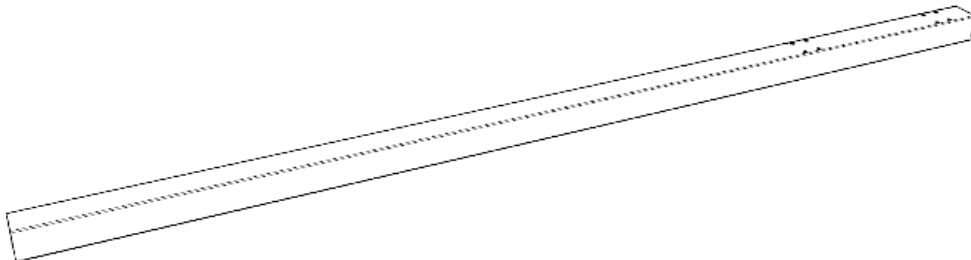
x2

TG202b - BACK UPRIGHTS (CORNER POSTS)



x8

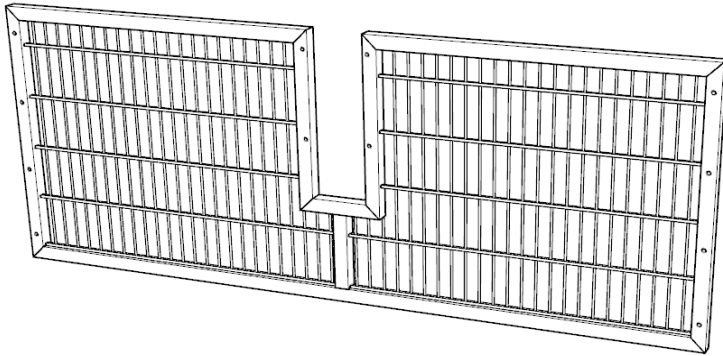
TG202c - MESH CLAMPING BRACKETS



x1

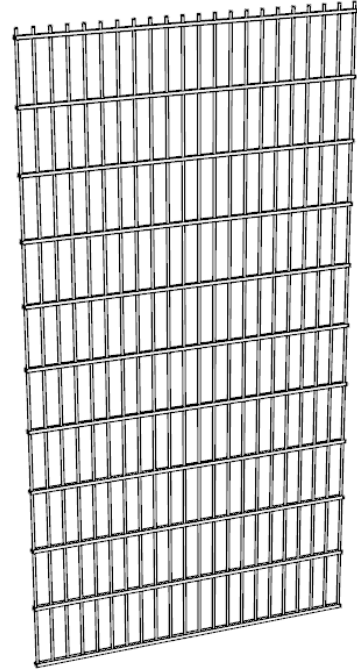
TG202d - BACK CENTRAL POST

PARTS REQUIRED - METAL PARTS/PRE-ASSEMBLIES



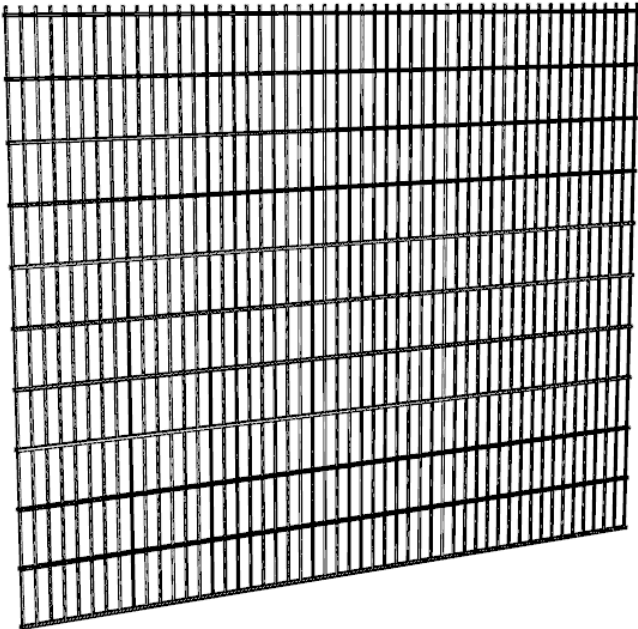
x1

TG202e - FRONT MESH LINTEL



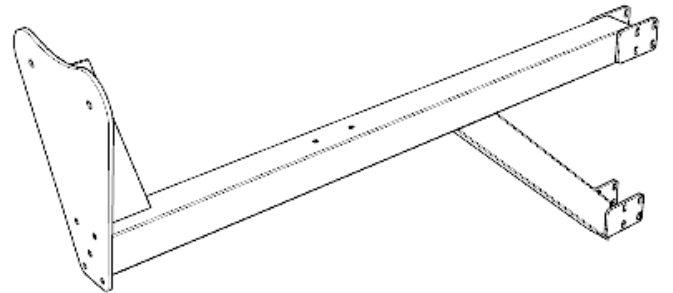
x2

TG202f - MESH SIDE PANEL



x1

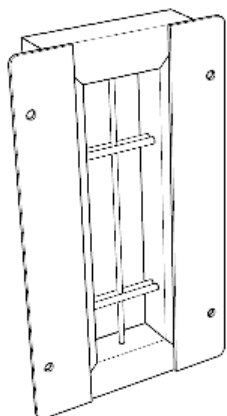
TG202g - MESH BACK PANEL



x1

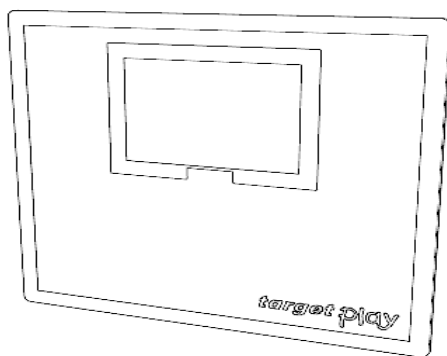
TG202h - BASKETBALL HOOP BRACKET

PARTS REQUIRED



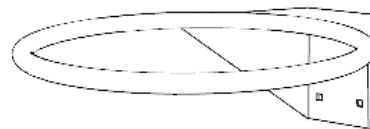
x1

TG202i - MESH FILLER PANEL



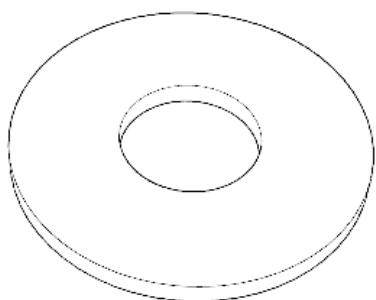
x1

PLAYTEC TARGET PANEL



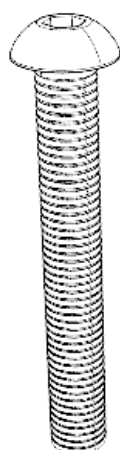
x1

BASKETBALL HOOP



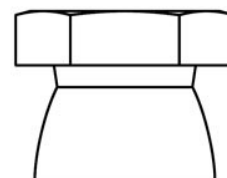
x28

WASHER



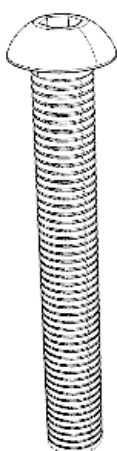
x12

M10X80MM SOCKET BUTTON



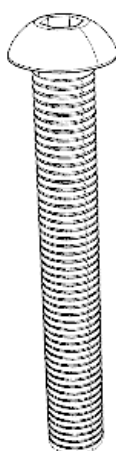
x28

SHEAR NUT



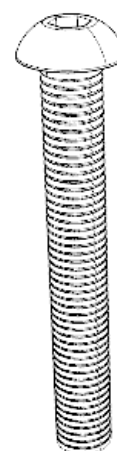
x8

M10X140MM SOCKET BUTTON



x2

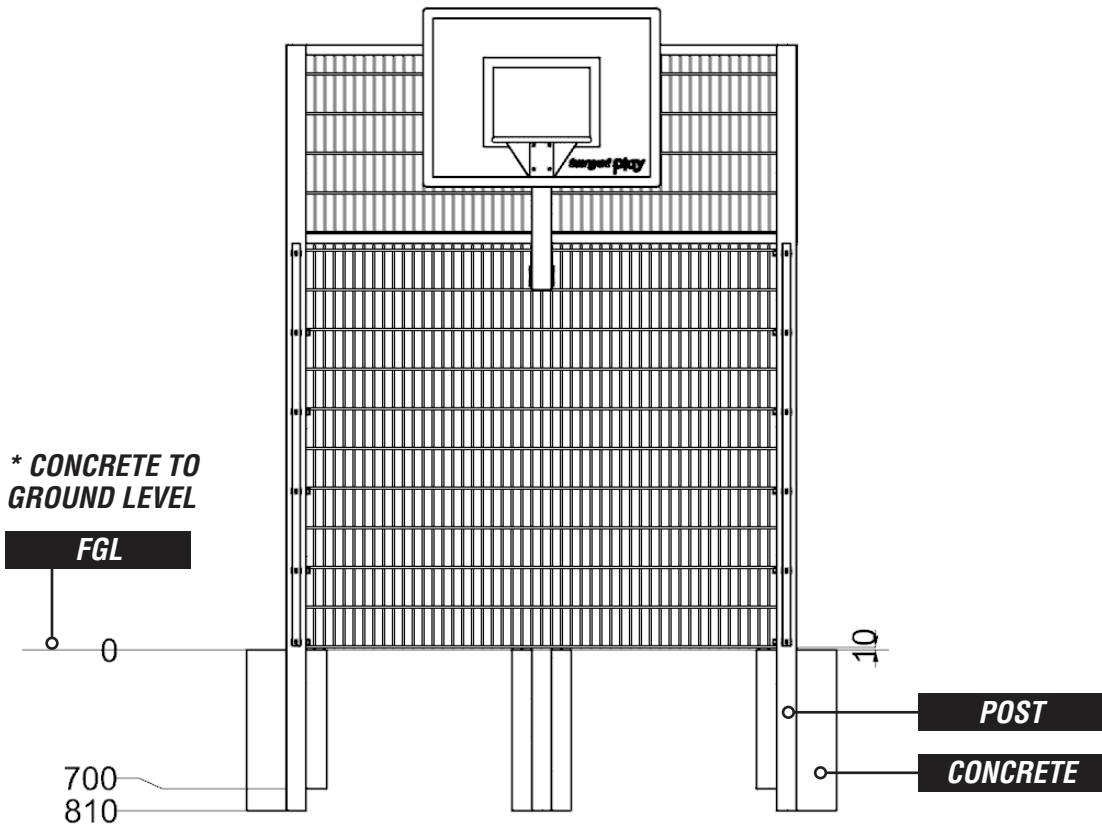
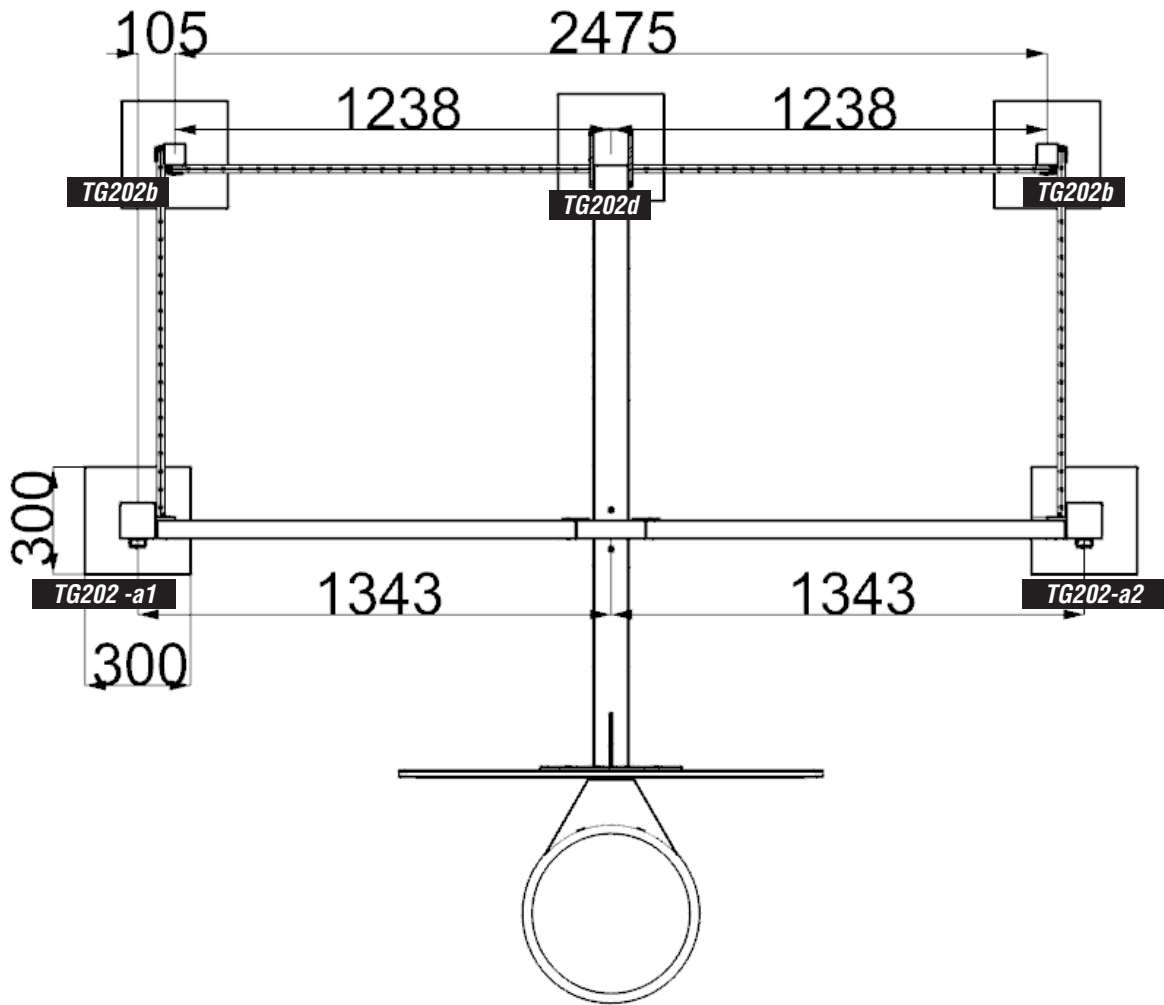
M10X130MM SOCKET BUTTON



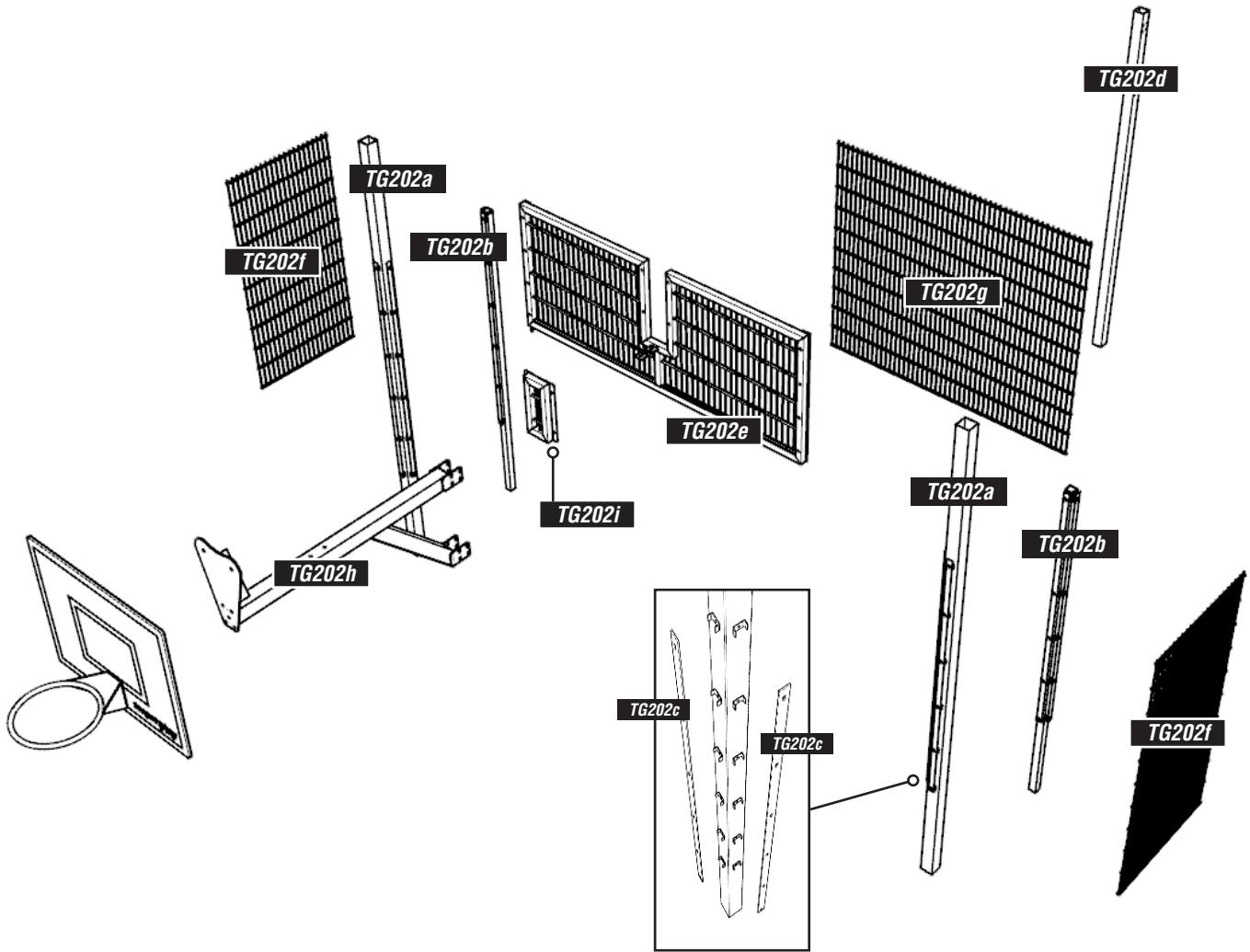
x54

M10X40MM SOCKET BUTTON

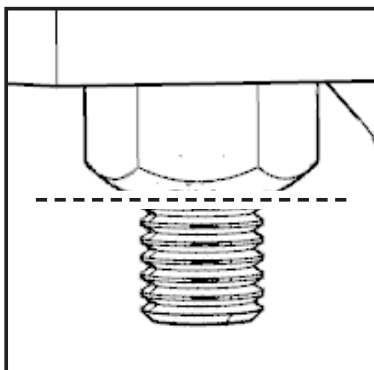
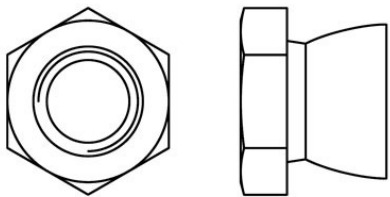
FOUNDATIONS



EXPLODED VIEW



USING SHEAR NUTS ...

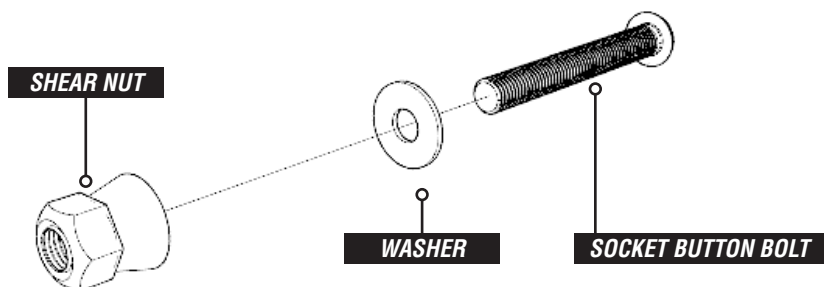


NOTES:

OVER LENGTH BOLTS (ONCE TIGHTENED) MUST BE CUT SHORT/FLUSH WITH SHEAR NUT (SEE DOTTED LINE)

CUT ENDS MUST THEN BE "MADE GOOD" WITH ZINC RICH PAINT TO STOP CORROSION

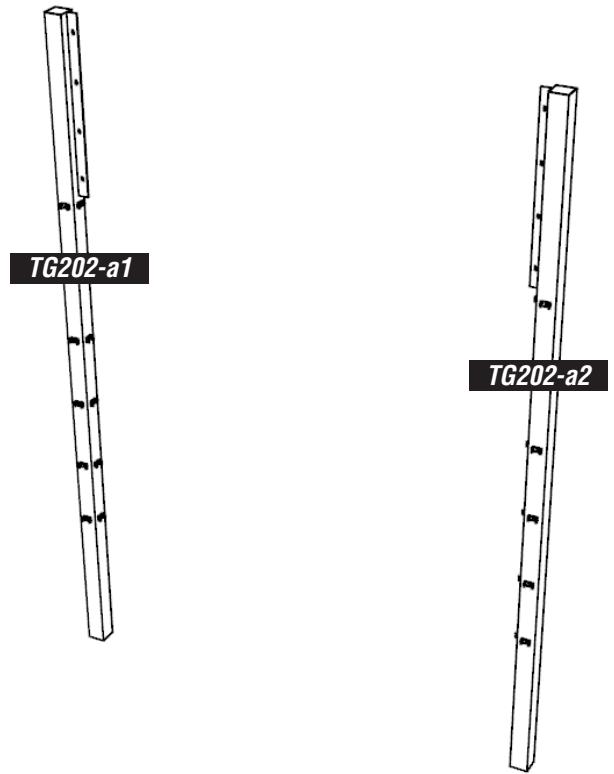
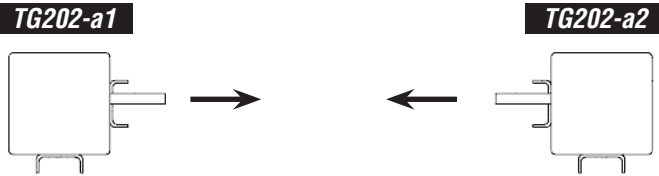
THIS INFO APPLIES TO ALL SHEAR NUTS USED ON GOAL END...



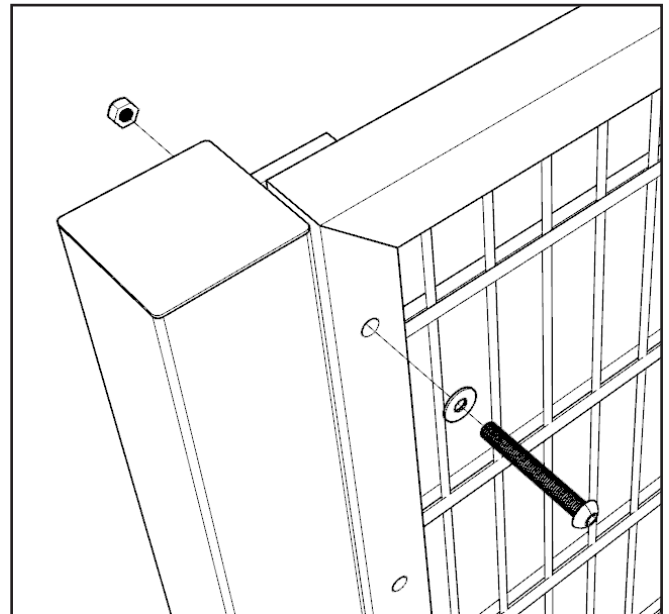
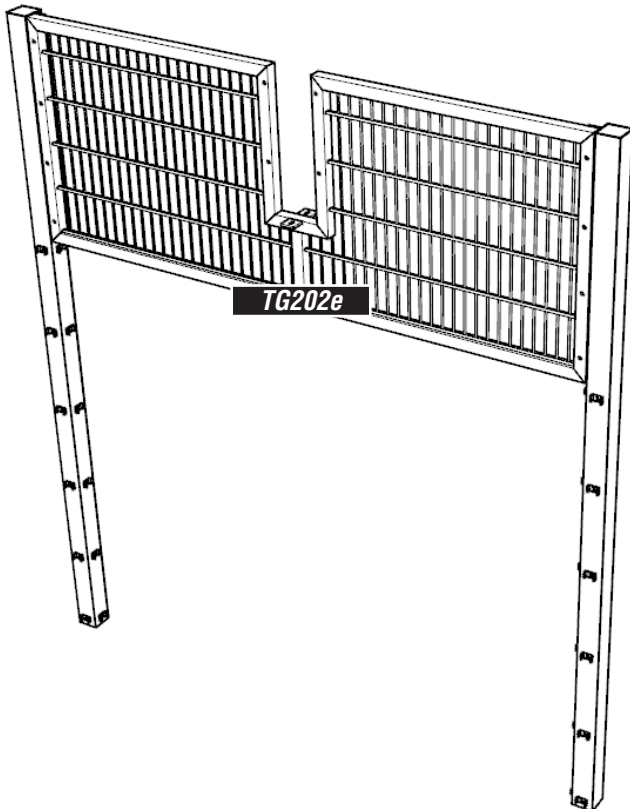
INSTALLATION INSTRUCTIONS

1 INSTALL TG202-a1 & TG202-a2 UPRIGHT POSTS ACCORDING TO GROUND PLAN

NOTES:
ENSURE POSTS ARE POSITIONED AS SHOWN, BOLT HOLE
FLANGE FACES INWARDS (SEE ARROWS ON TOP VIEW
BELOW)



2 ATTACH TG202e FRONT MESH LINTEL TO UPRIGHT POSTS USING M10X80MM SOCKET BUTTON BOLTS, WASHERS & SHEAR NUTS

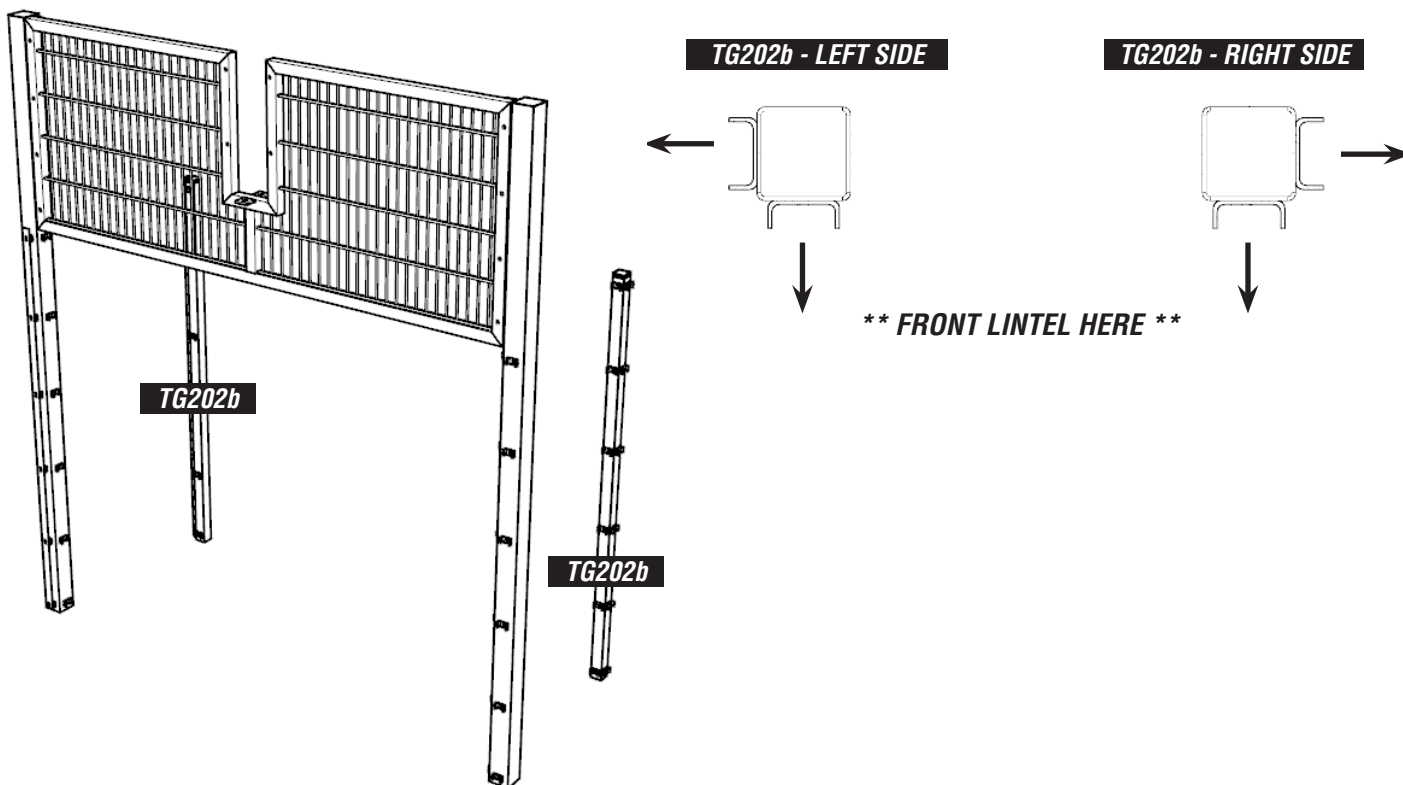


INSTALLATION INSTRUCTIONS

3

INSTALL TG202b UPRIGHT CORNER POSTS

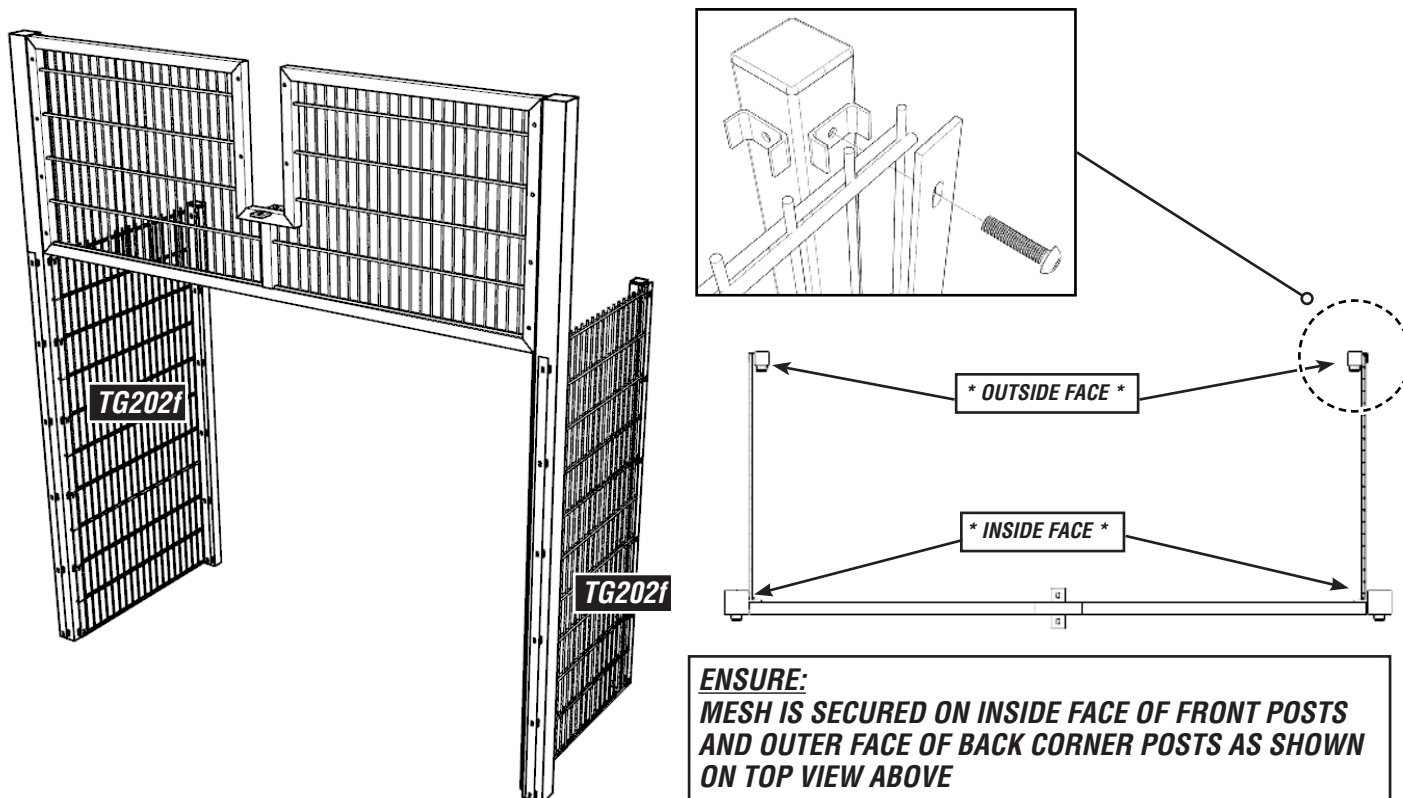
ACCORDING TO GROUND PLAN, ENSURE POSTS ARE POSITIONED AS SHOWN BELOW



4

ATTACH TG202f MESH SIDE PANELS TO CORNER POSTS WITH CLAMPING BRACKETS

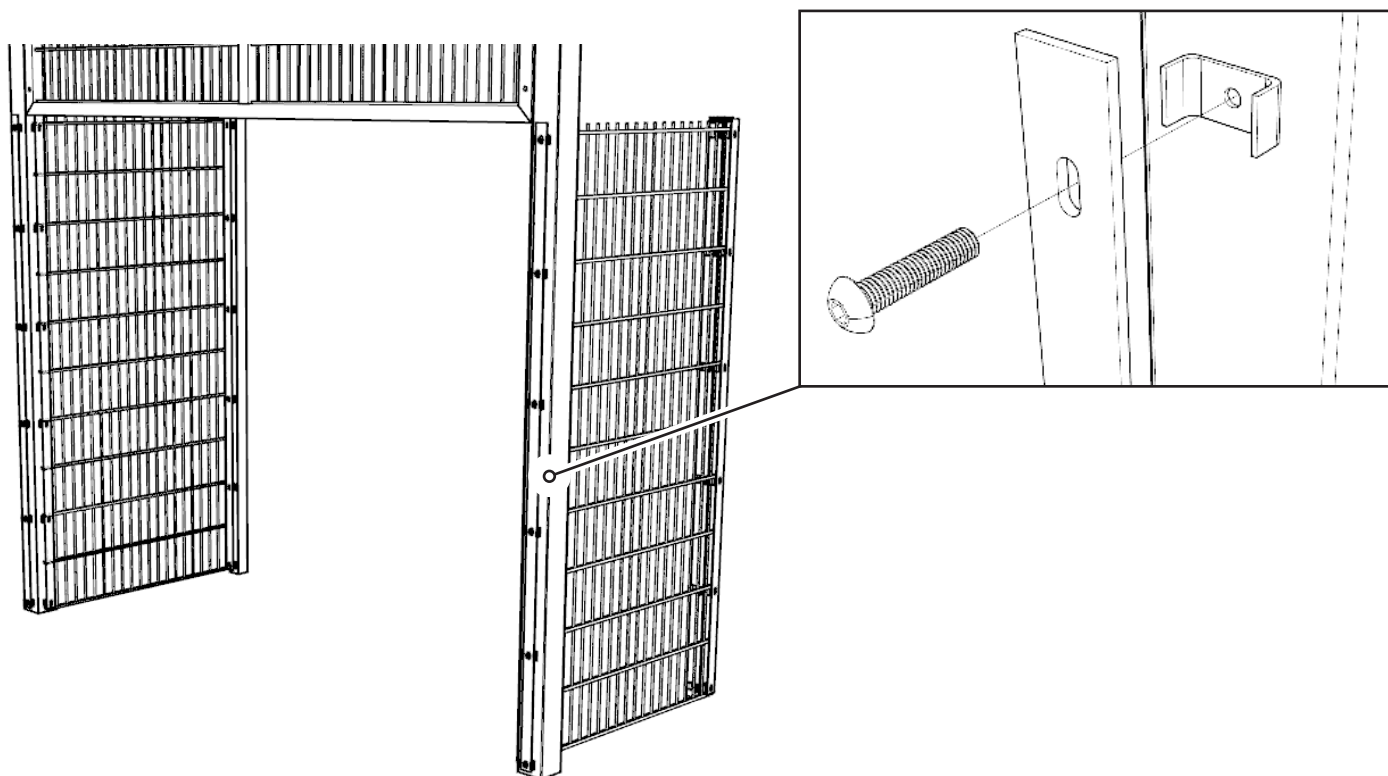
USING M8X40MM SOCKET BUTTON BOLTS, MUST BE POSITIONED AS SHOWN BEFORE SECURING...



INSTALLATION INSTRUCTIONS

5

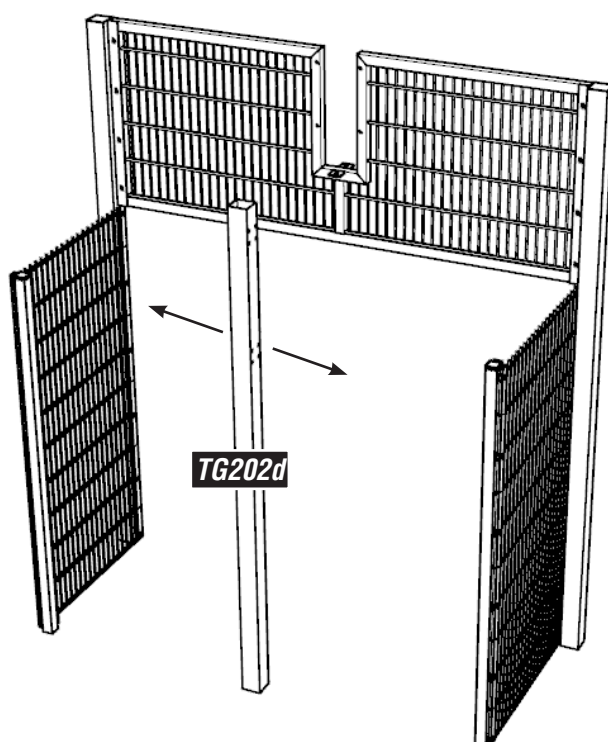
**ENSURE FRONT MESH CLAMPING BRACKETS ARE ATTACHED TO FRONT POSTS
USING M8X40MM SOCKET BUTTON BOLTS**



6

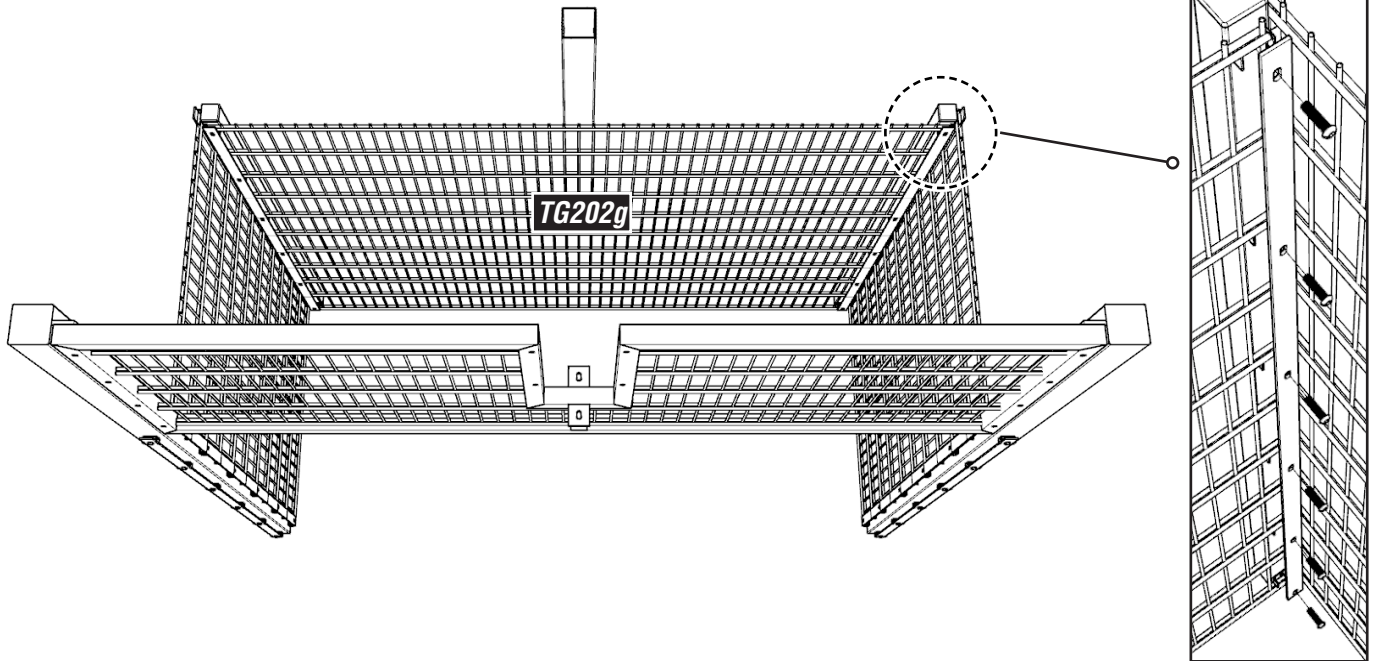
INSTALL TG202d BACK CENTRAL POST

ACCORDING TO GROUNDPLAN, ENSURE HOLES ARE FACING TOWARDS SIDE MESH PANEL, SEE ARROWS

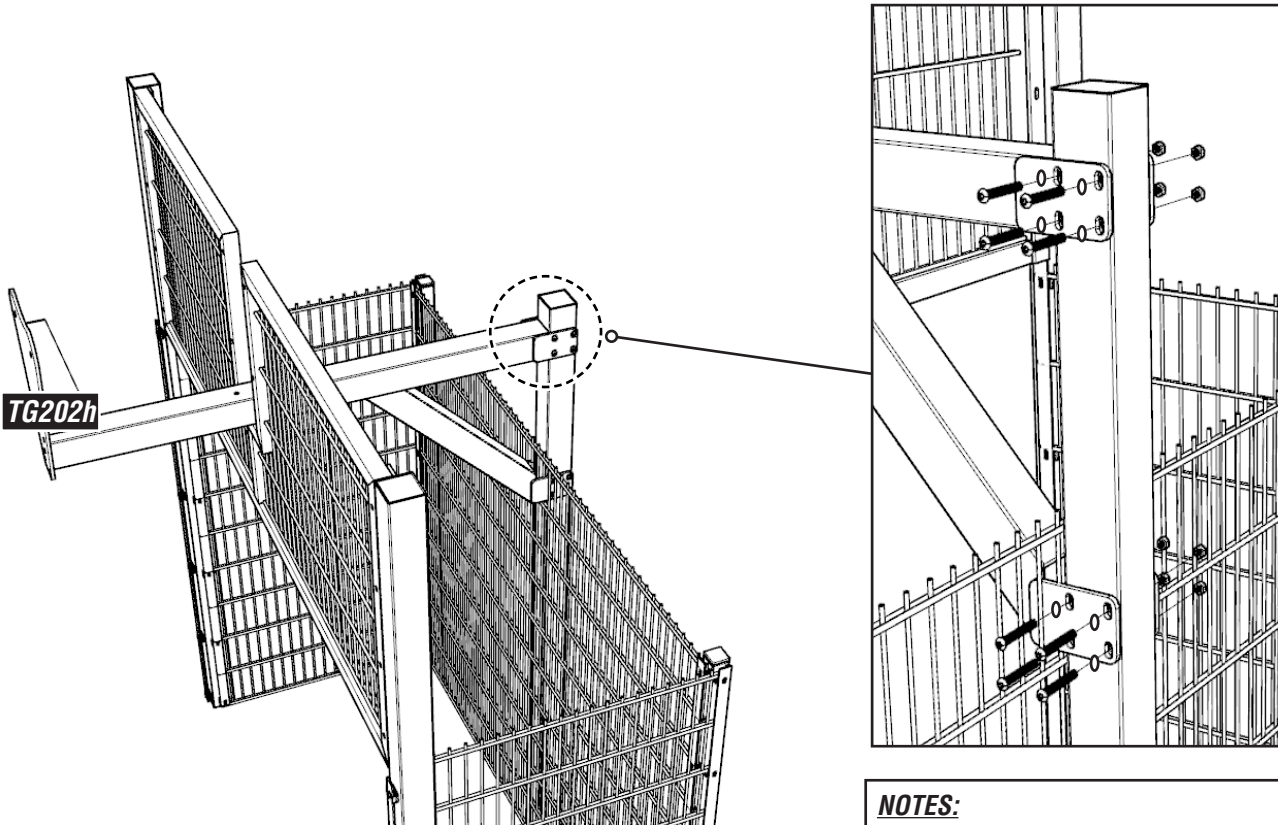


INSTALLATION INSTRUCTIONS

7 ATTACH TG202g BACK MESH PANEL TO CORNER POSTS WITH CLAMPING BRACKETS USING M8X40MM SOCKET BUTTON BOLTS



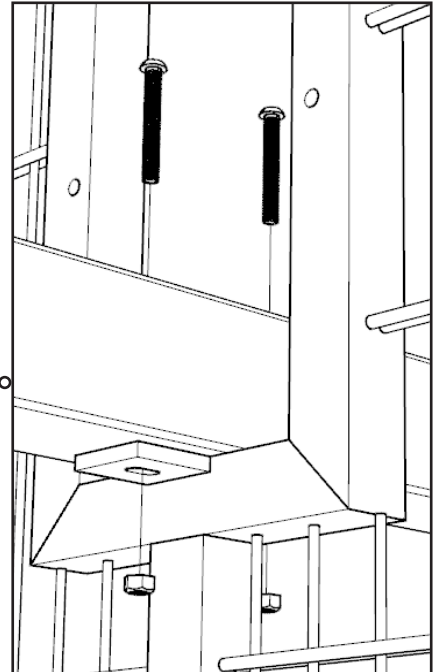
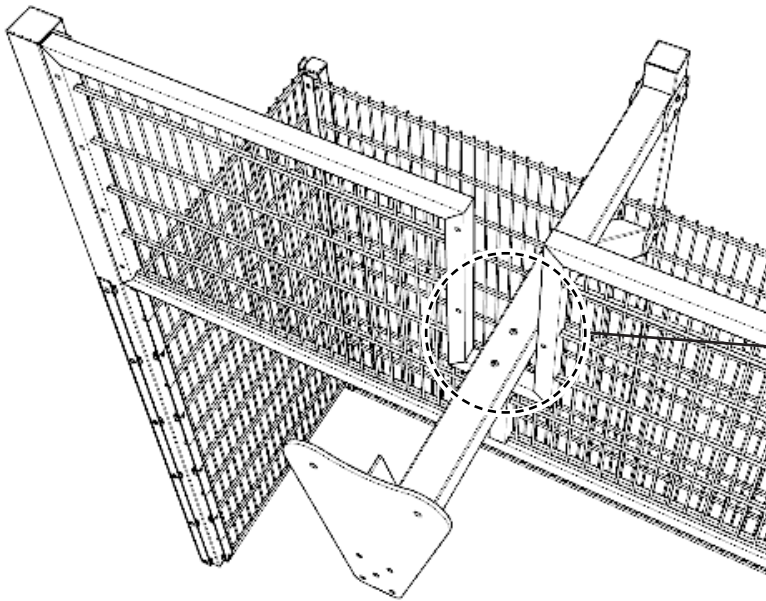
8 ATTACH TG202h HOOP BRACKET TO BACK CENTRAL POST USING M10X140MM SOCKET BUTTON BOLTS, WASHERS & SHEAR NUTS



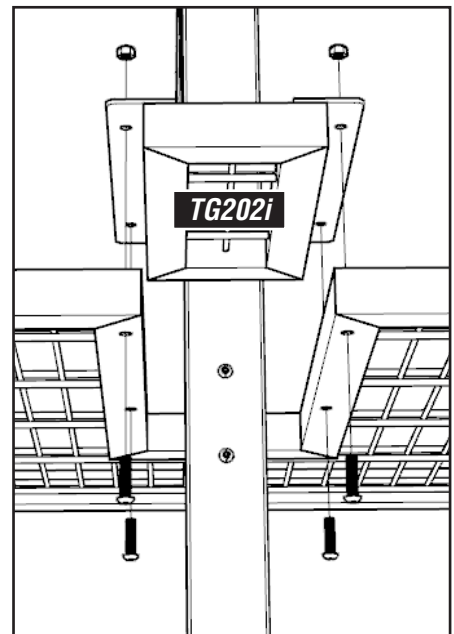
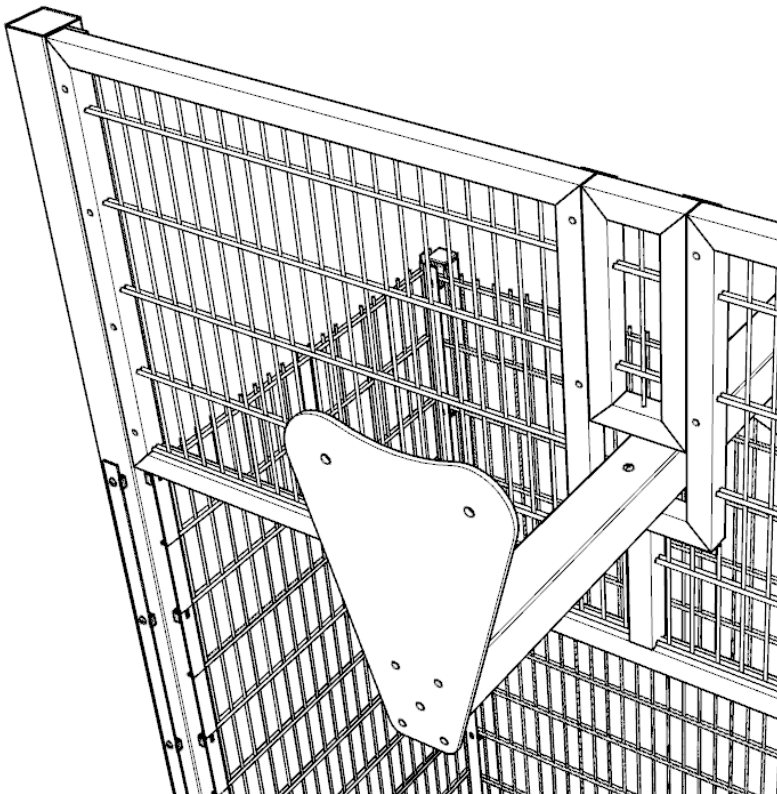
NOTES:
POSITION IN GAP OF FRONT MESH
LINTEL AND THROUGH BACK MESH
PANEL

INSTALLATION INSTRUCTIONS

9 FURTHER SECURE BASKETBALL HOOP BRACKET IN CENTRE OF LINTEL USING M10X130MM SOCKET BUTTON BOLTS, WASHERS AND SHEAR NUTS



10 ATTACH T6202i MESH FILLER PANEL TO LINTEL GAP USING M10X80MM SOCKET BUTTON BOLTS, WASHERS & SHEAR NUTS, BOLTS ON FRONT OF LINTEL

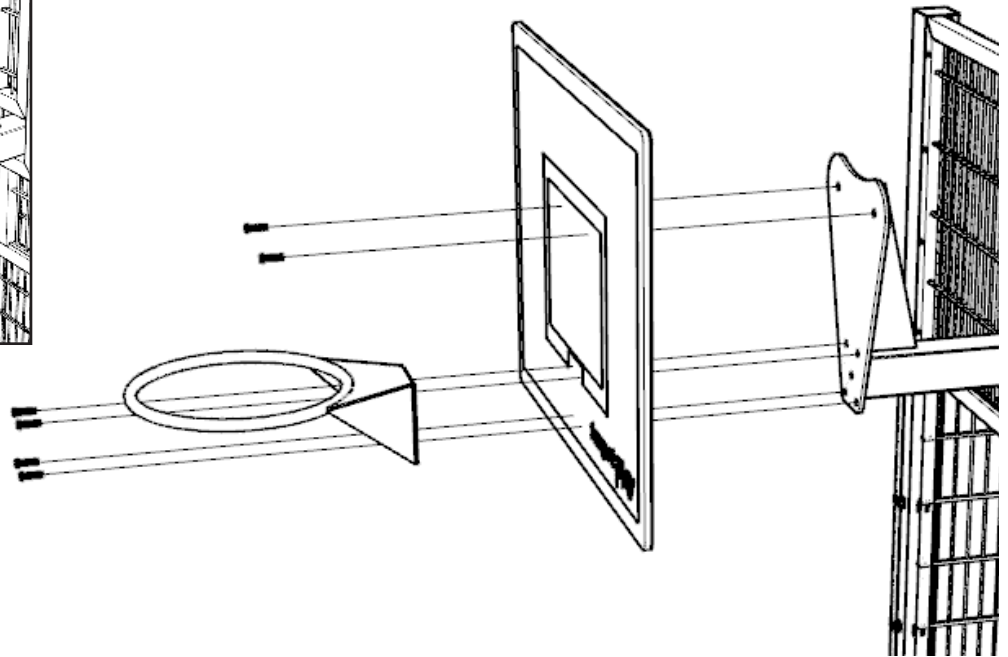
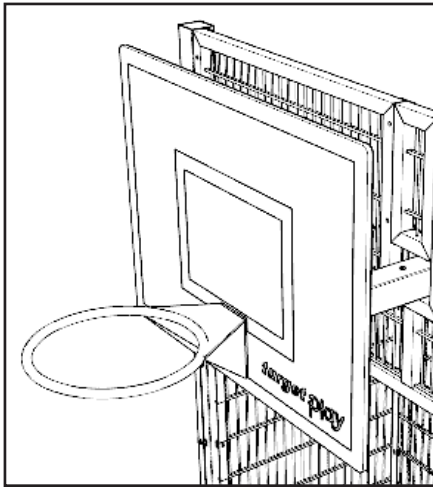


INSTALLATION INSTRUCTIONS

11

ATTACH BASKET BALL HOOP TO PLAYTEC PANEL AND BRACKET

DRILL HOLES IN PLAYTEC WHERE REQUIRED AND SECURE WITH M10X40MM SOCKET BUTTON BOLTS & SHEAR NUTS



ADDITIONAL DIMENSIONS

