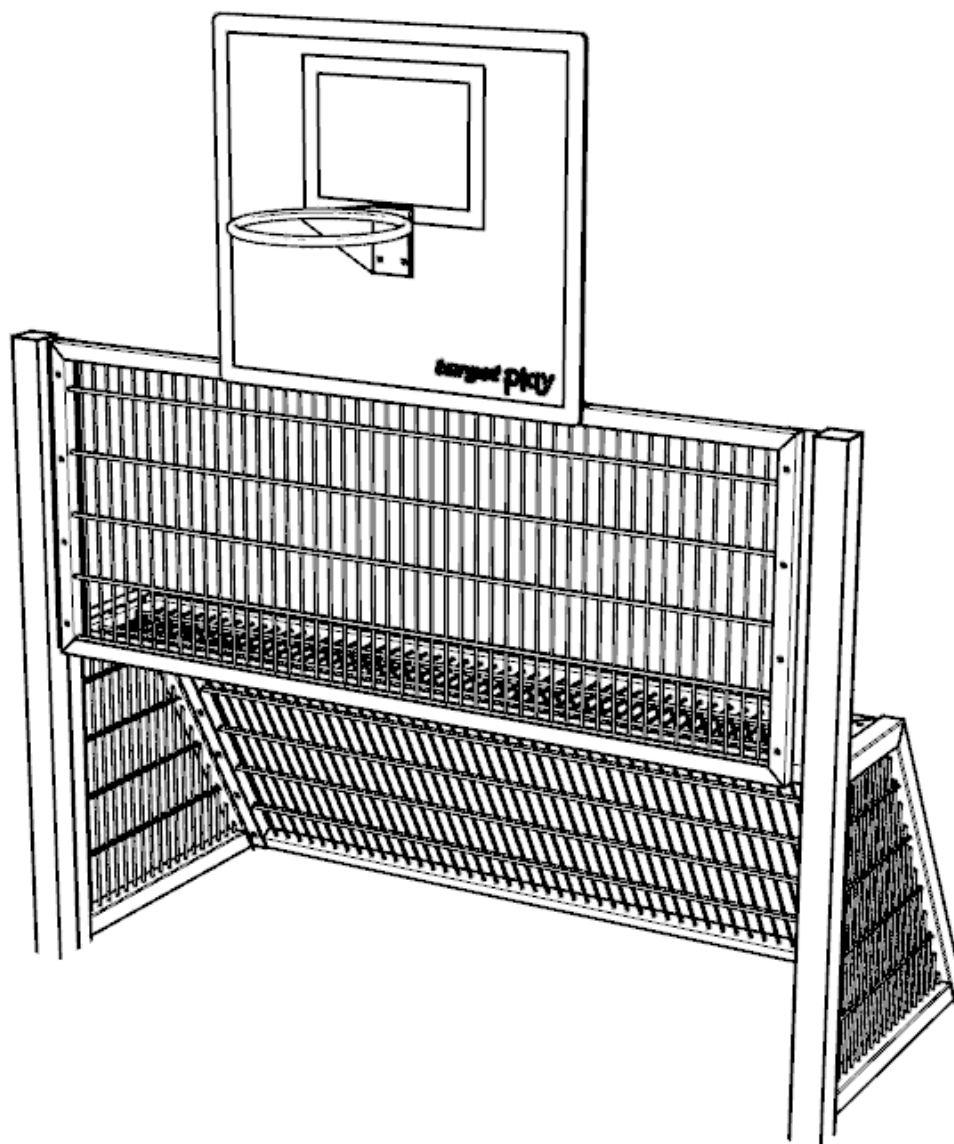


# **TG201/2 - 5 A SIDE GOAL INC BASKETBALL**

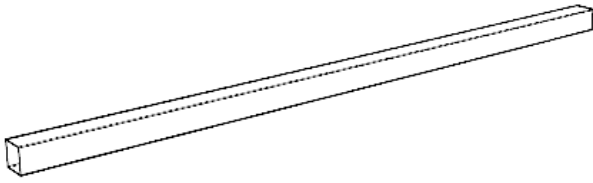
## ***Installation Instructions***

---

**creative  
play**

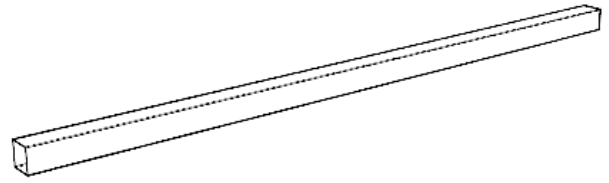


# ***PARTS REQUIRED - METAL PARTS/PRE-ASSEMBLIES***



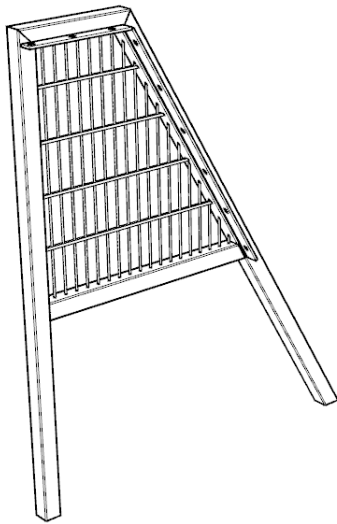
***x1***

***TG201-a1 - RIGHT UPRIGHT POST***



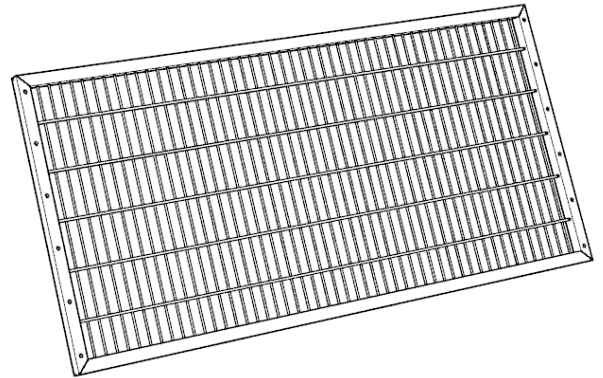
***x1***

***TG201-a2 - LEFT UPRIGHT POST***



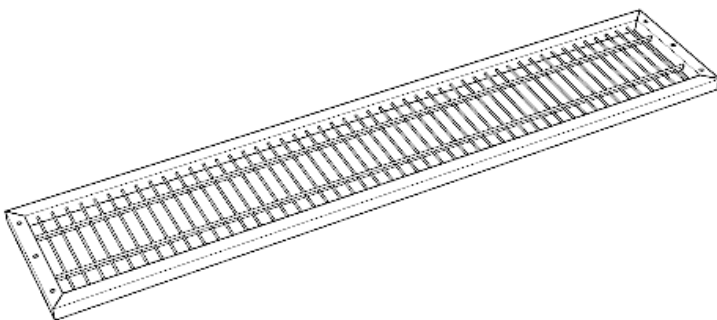
***x2***

***TG201b - SIDE MESH PRE-ASSEMBLY***



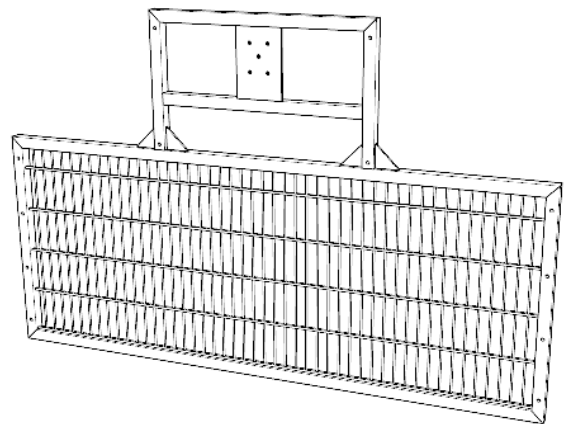
***x1***

***TG201c - BACK MESH PRE-ASSEMBLIES***



***x1***

***TG201d - TOP MESH PRE-ASSEMBLY***

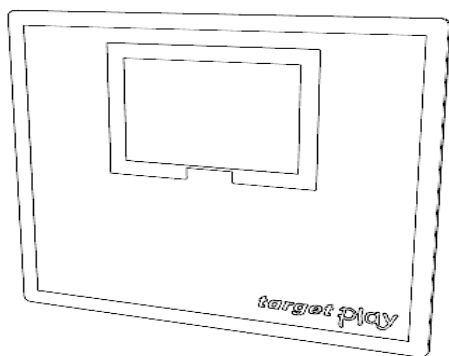


***x1***

***TG201e - FRONT MESH PRE-ASSEMBLIES***

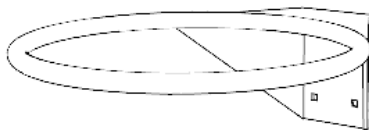
# **PARTS REQUIRED**

---



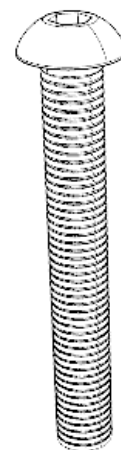
**x1**

**PLAYTEC TARGET PANEL**



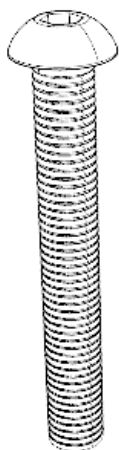
**x1**

**BASKETBALL HOOP**



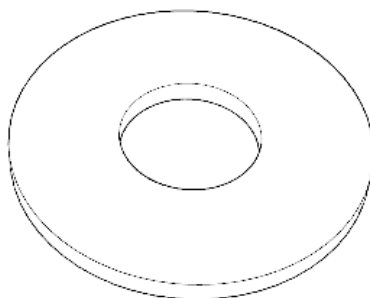
**x30**

**M10X80MM SOCKET BUTTON**



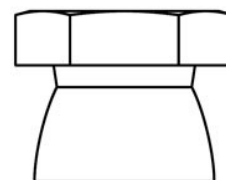
**x4**

**M10X40MM SOCKET BUTTON**



**x34**

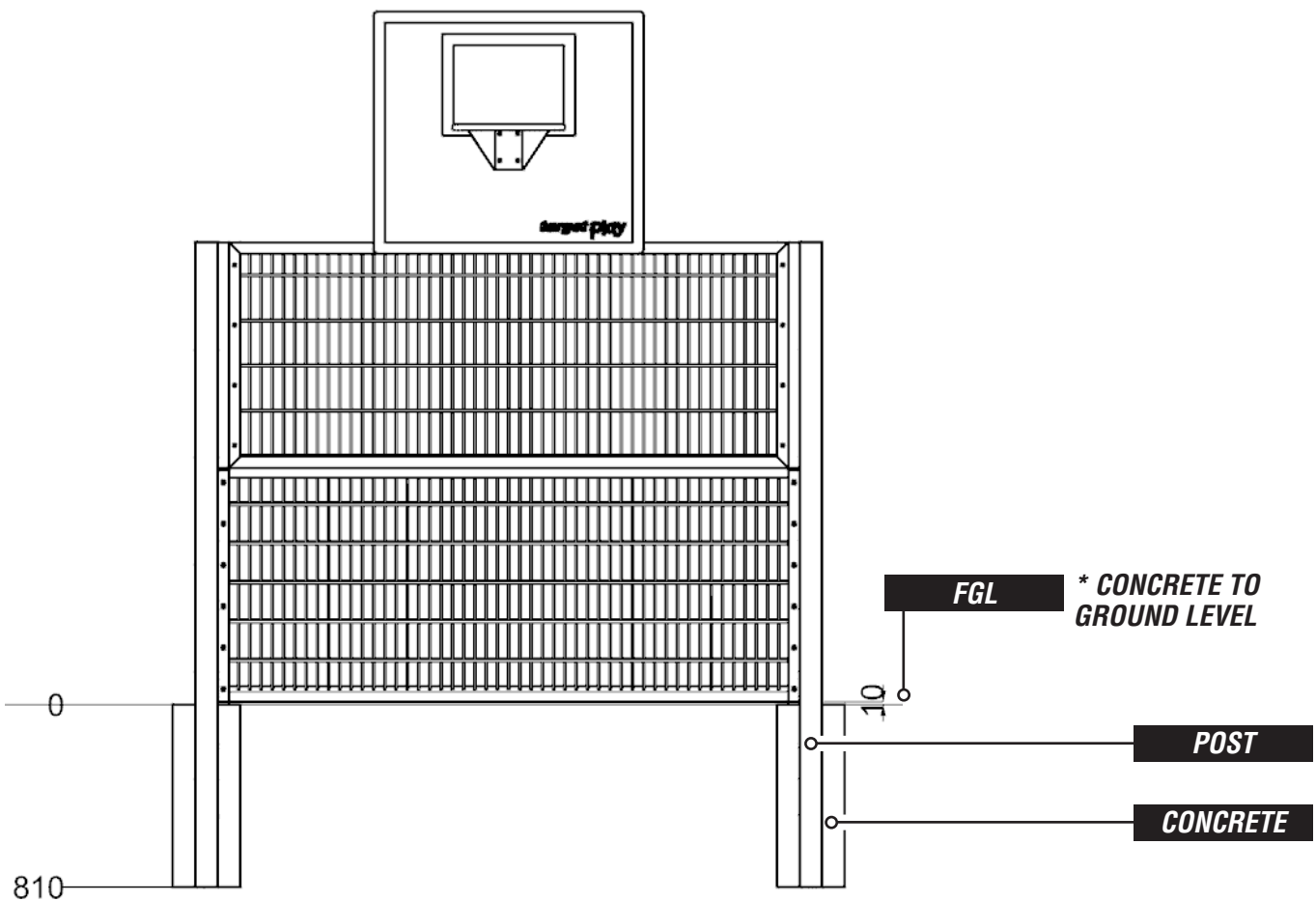
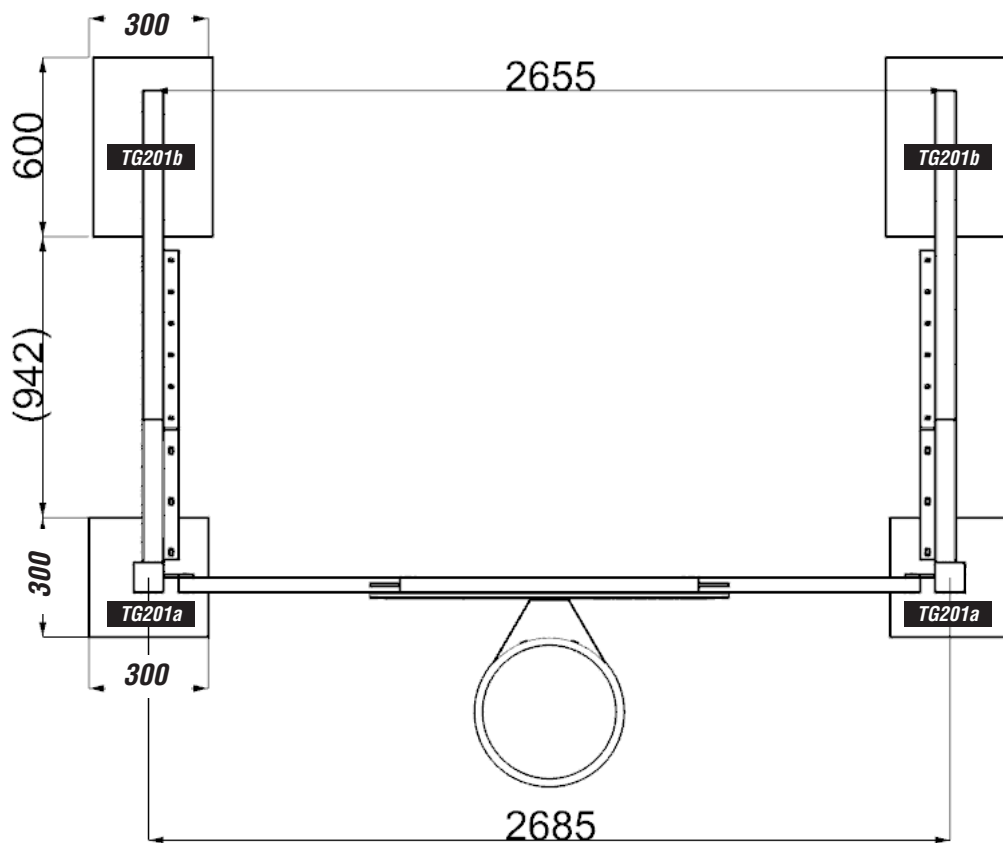
**WASHER**



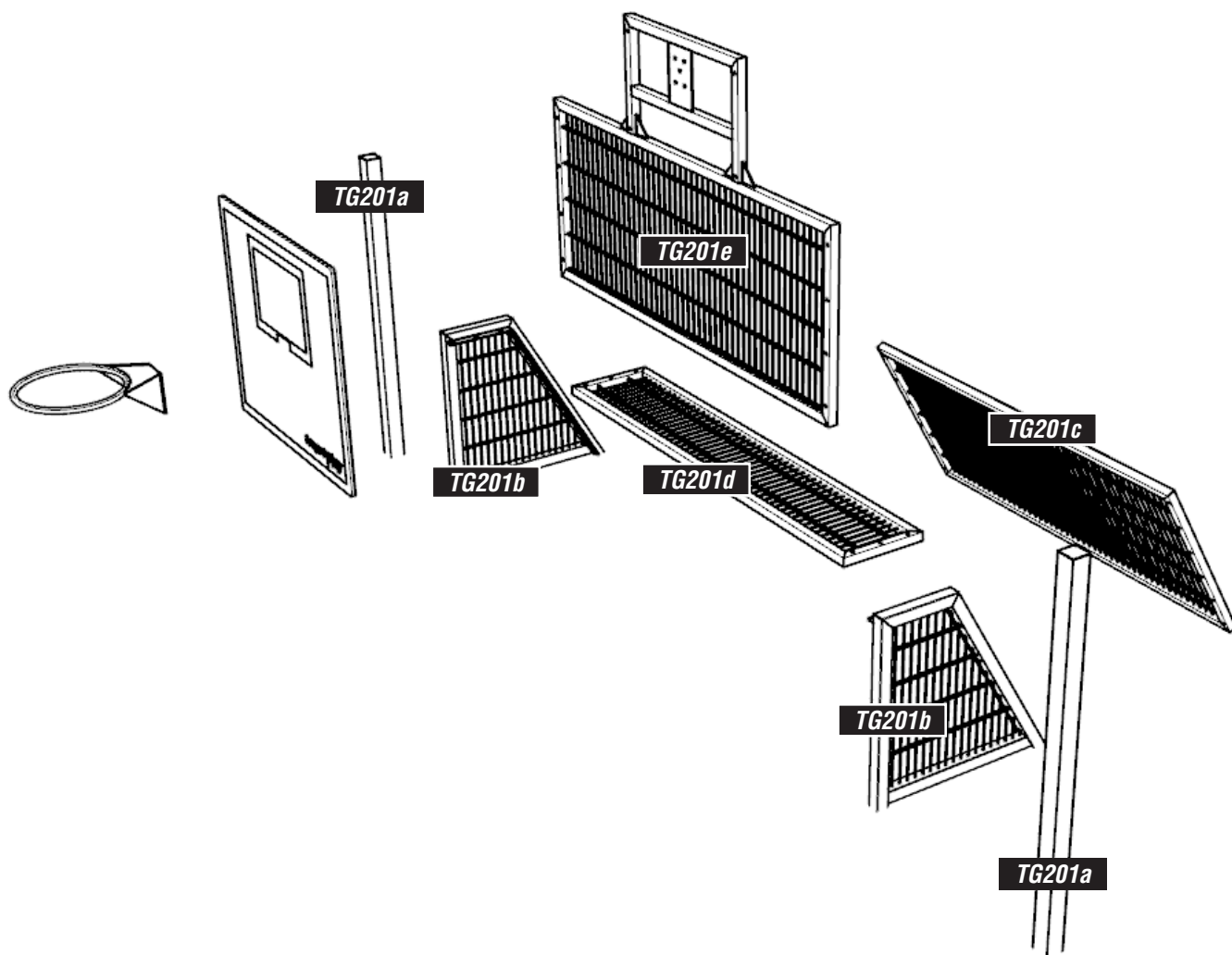
**x34**

**M10X80MM SOCKET BUTTON BOLT**

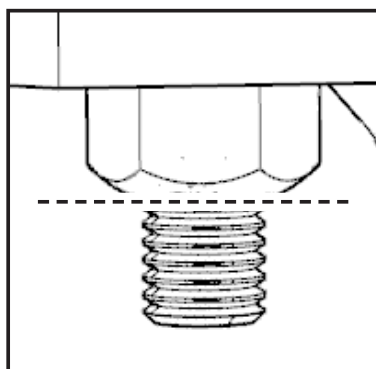
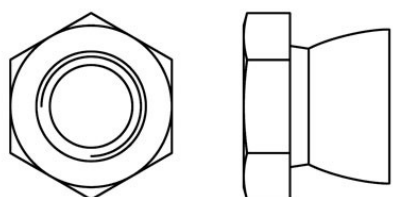
# FOUNDATIONS



# EXPLODED VIEW



## USING SHEAR NUTS ...

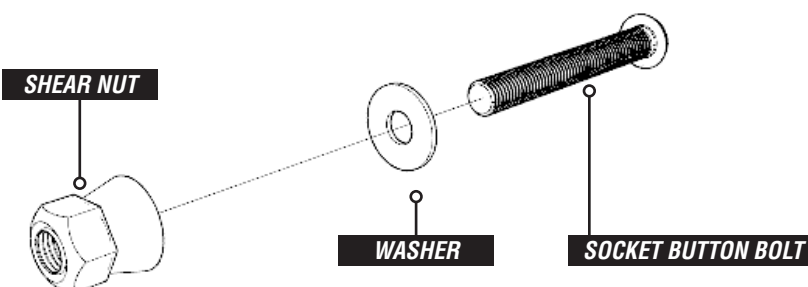


### NOTES:

*OVER LENGTH BOLTS (ONCE TIGHTENED) MUST BE CUT SHORT/FLUSH WITH SHEAR NUT (SEE DOTTED LINE)*

*CUT ENDS MUST THEN BE "MADE GOOD" WITH ZINC RICH PAINT TO STOP CORROSION*

*THIS INFO APPLIES TO ALL SHEAR NUTS USED ON GOAL END...*



# INSTALLATION INSTRUCTIONS

**1**

**INSTALL TG201a UPRIGHT POSTS  
ACCORDING TO GROUND PLAN**



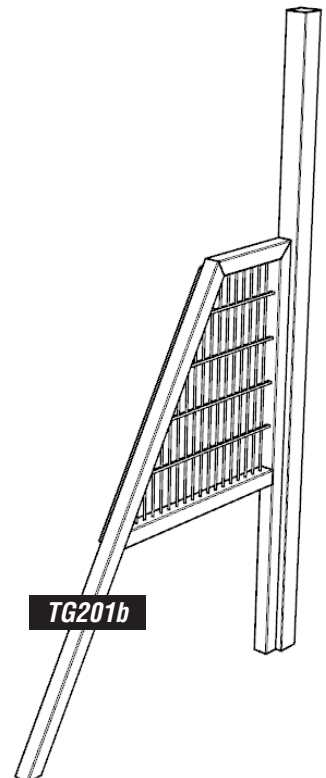
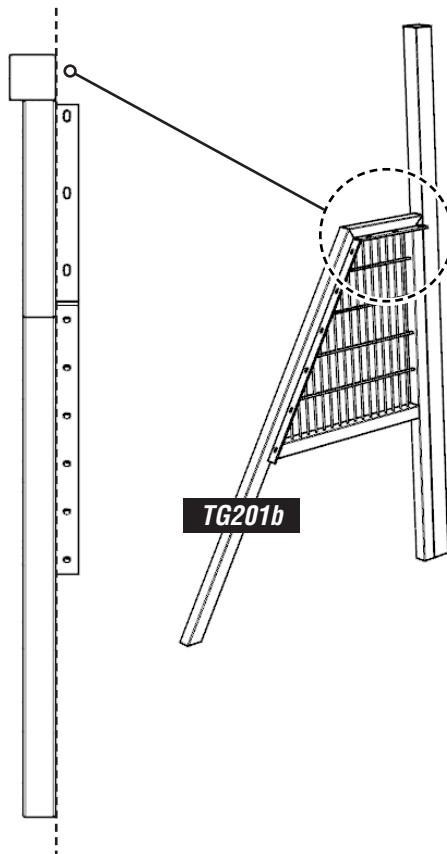
**2**

**INSTALL TG201b SIDE MESH PANELS AS SHOWN  
ACCORDING TO GROUNDPLAN**

**NOTES:**

**BUTT SIDE PANEL BOX  
SECTION UP TO INSIDE FACE  
OF UPRIGHT (DOTTED LINE)**

**- BOLT HOLE FLANGE MUST  
OVERHANG AS SHOWN**

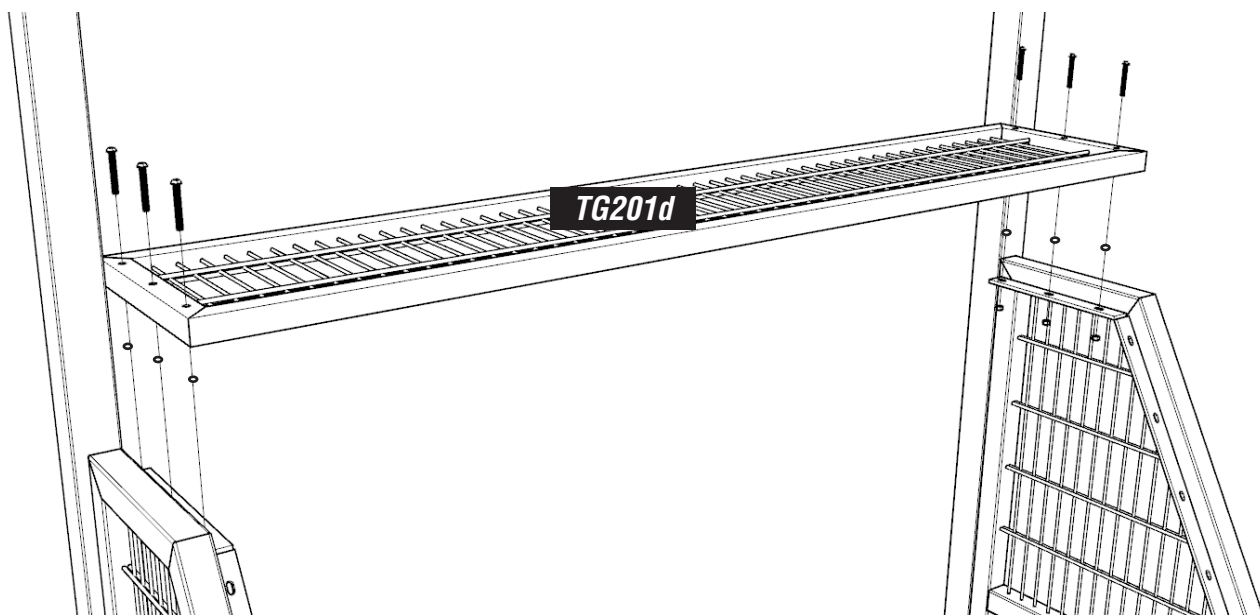


# INSTALLATION INSTRUCTIONS

**3**

## ATTACH TG201d TOP MESH PANEL TO SIDE PANELS

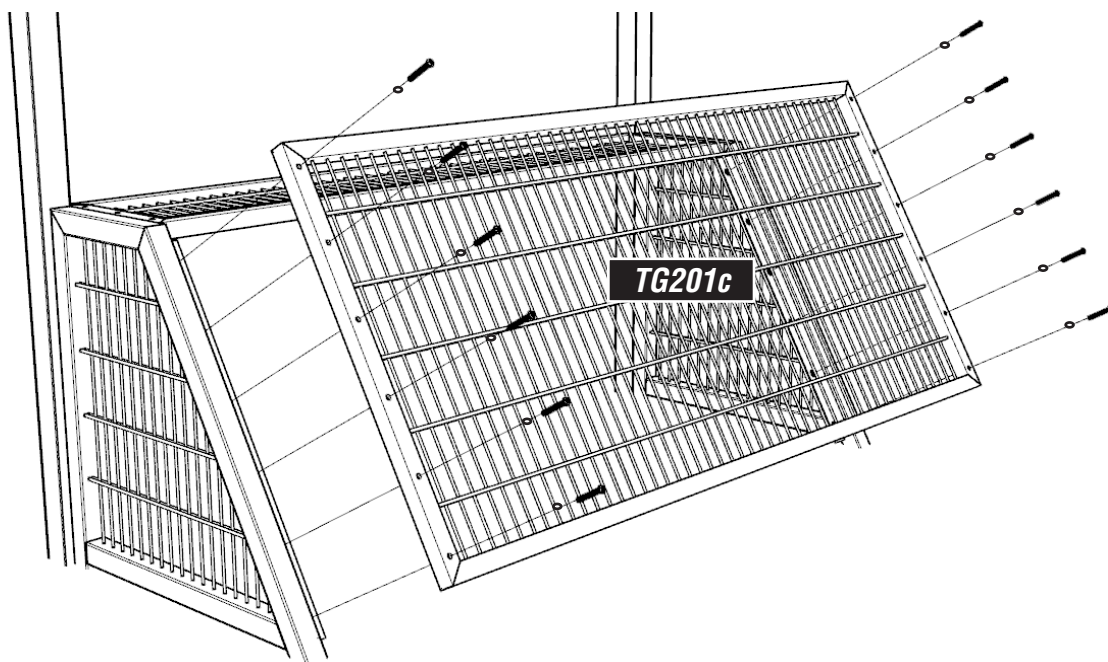
USING M10X80MM SOCKET BUTTON BOLTS, WASHERS & SHEAR NUTS, SHEAR NUTS ON UNDERSIDE



**4**

## ATTACH TG201c BACK MESH PANEL TO SIDE PANELS

USING M10X80MM SOCKET BUTTON BOLTS, WASHERS & SHEAR NUTS, SHEAR NUTS ON INSIDE OF GOAL

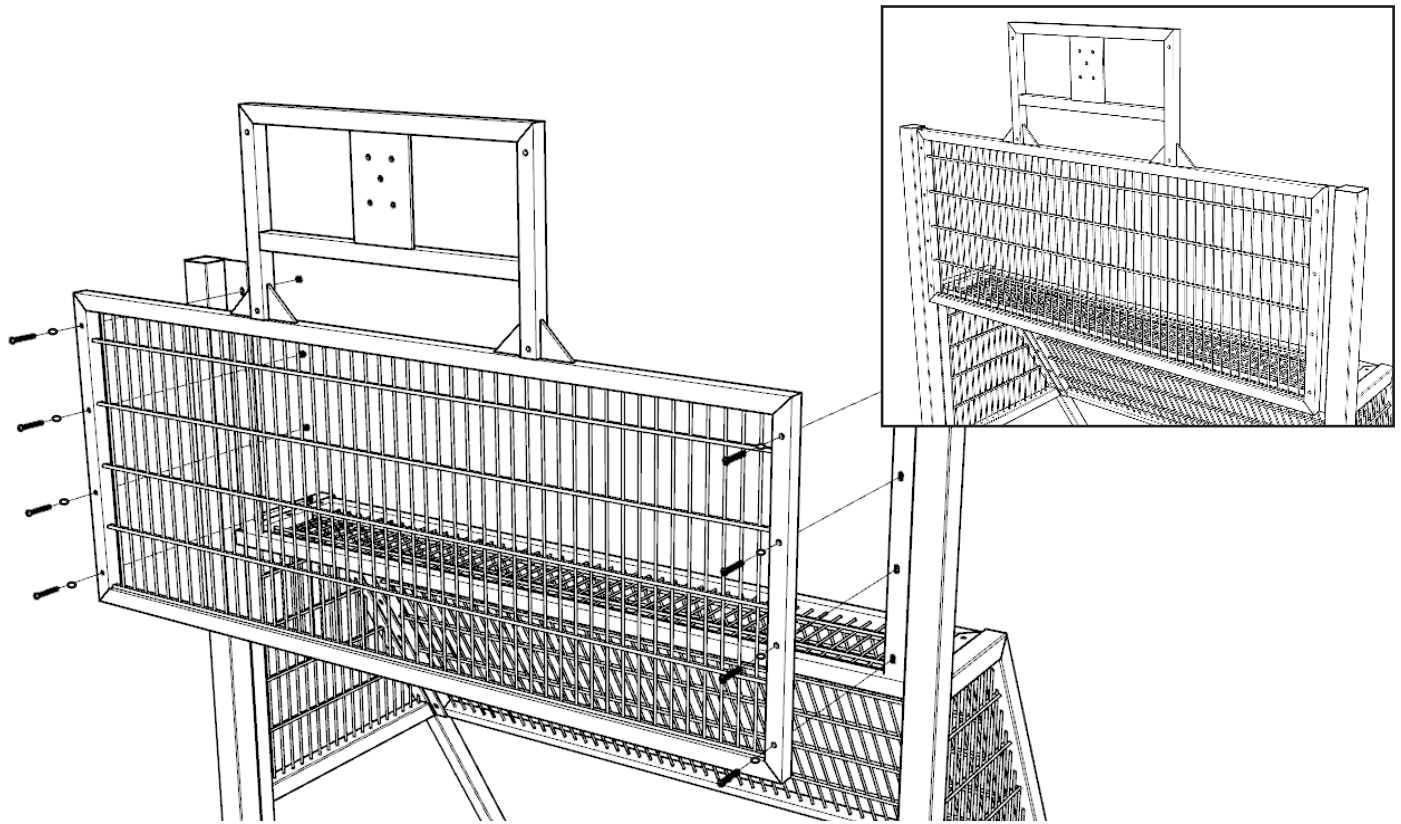


# INSTALLATION INSTRUCTIONS

**5**

## ATTACH TG201e FRONT MESH PANEL

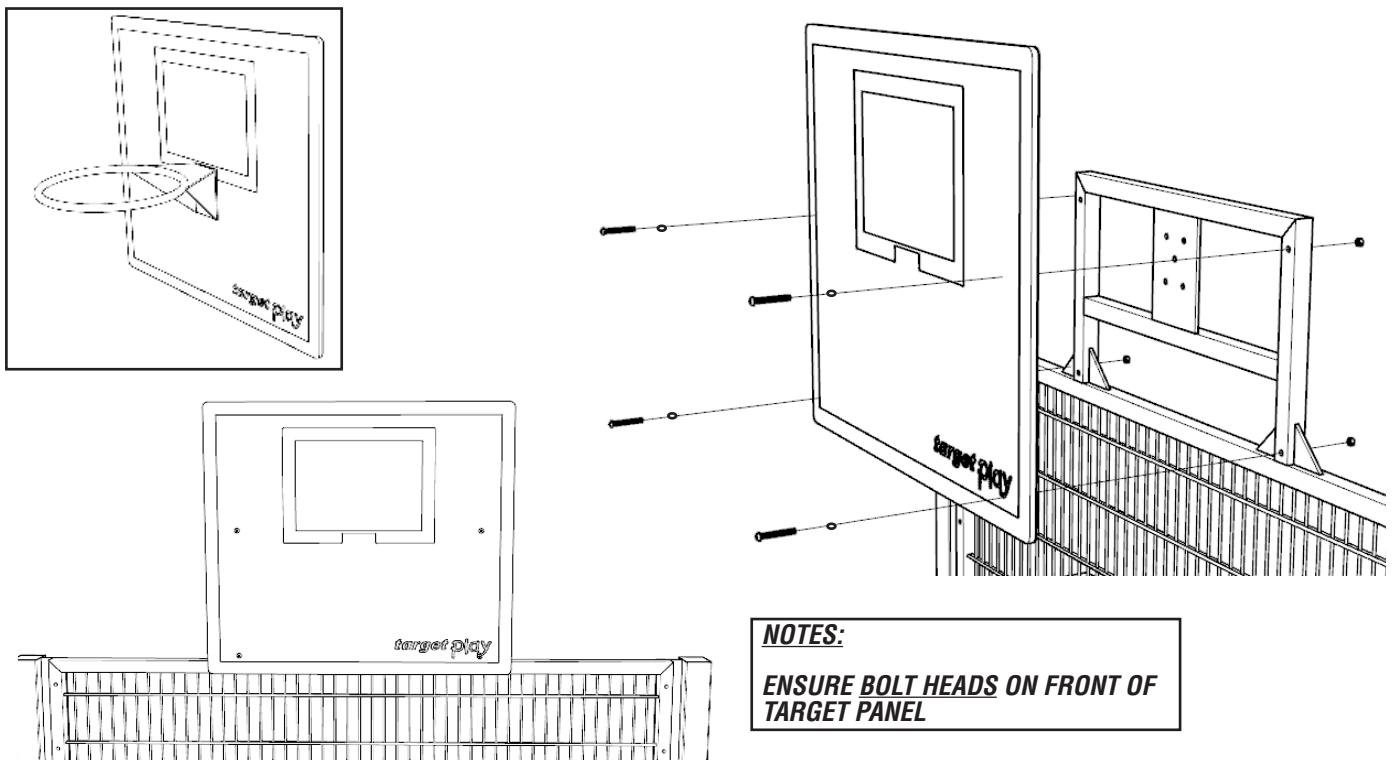
USING M12X80MM SOCKET BUTTON BOLTS, WASHERS & SHEAR NUTS, SHEAR NUTS ON BACK OF PANEL



**6**

## ATTACH PLAYTEC TARGET PANEL TO FRONT MESH IN LOCATION SHOWN

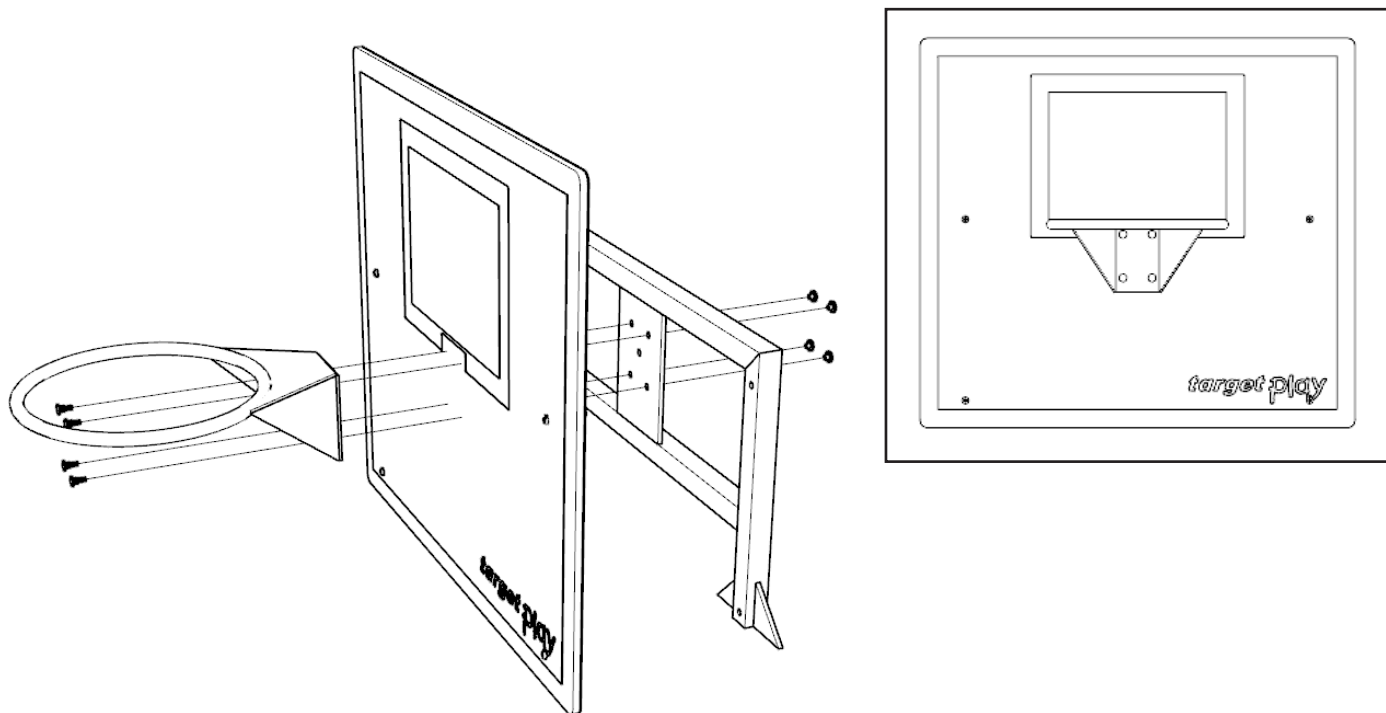
DRILL HOLES AND SECURE PANEL WITH M12X80MM SOCKET BUTTON BOLTS, WASHERS & SHEAR NUTS





# INSTALLATION INSTRUCTIONS

- 7** ATTACH BASKETBALL HOOP TO TARGET PANEL & FRONT MESH TARGET FRAME  
DRILL HOLES AND ATTACH USING M10X40MM SOCKET BUTTON BOLTS, WASHERS & SHEAR NUTS



# ADDITIONAL DIMENSIONS

