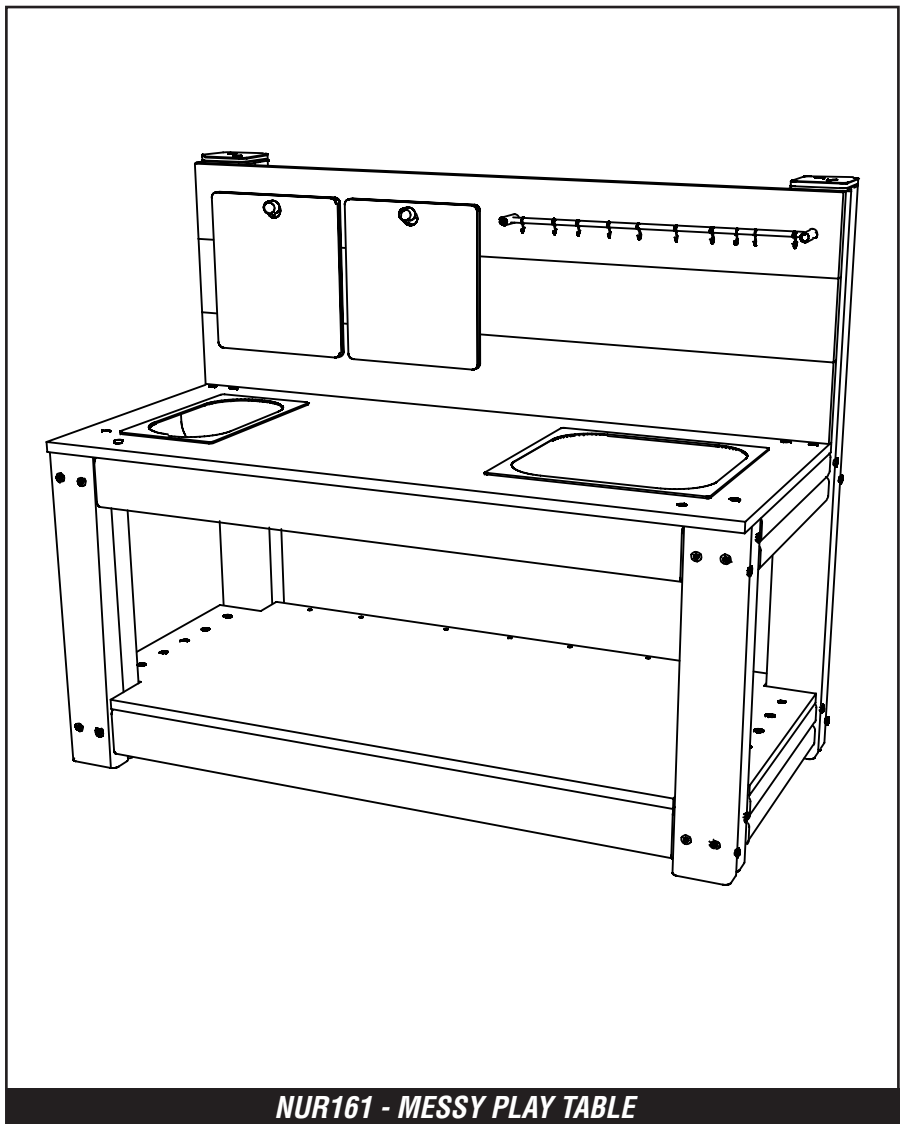
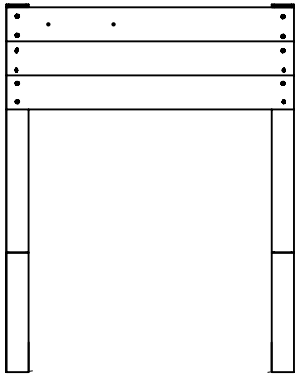


NUR161 - MESSY PLAY TABLE

Installation Instructions

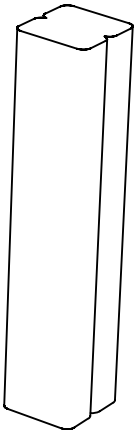


NUR161 - MESSY PLAY TABLE



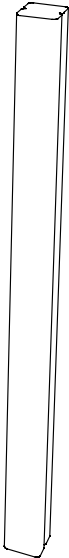
x1

PRE-ASSEMBLED PANEL



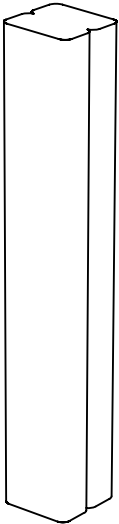
x4

161-D



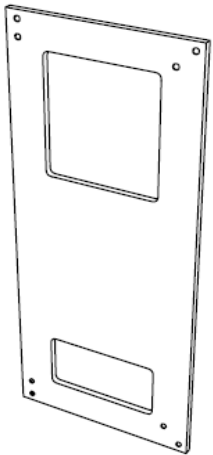
x2

161-E



x4

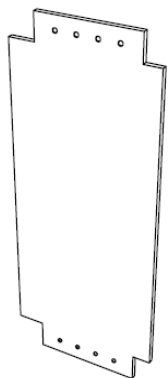
161-F



x1

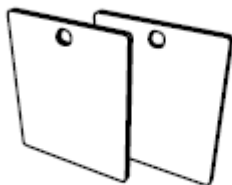
PLAYTEC TOP

PARTS REQUIRED



x1

PLAYTEC BOTTOM



x1

CHALK BOARDS



x1

LARGE GASTRONORM TRAY



x1

SMALL GASTRONORM TRAY



x18

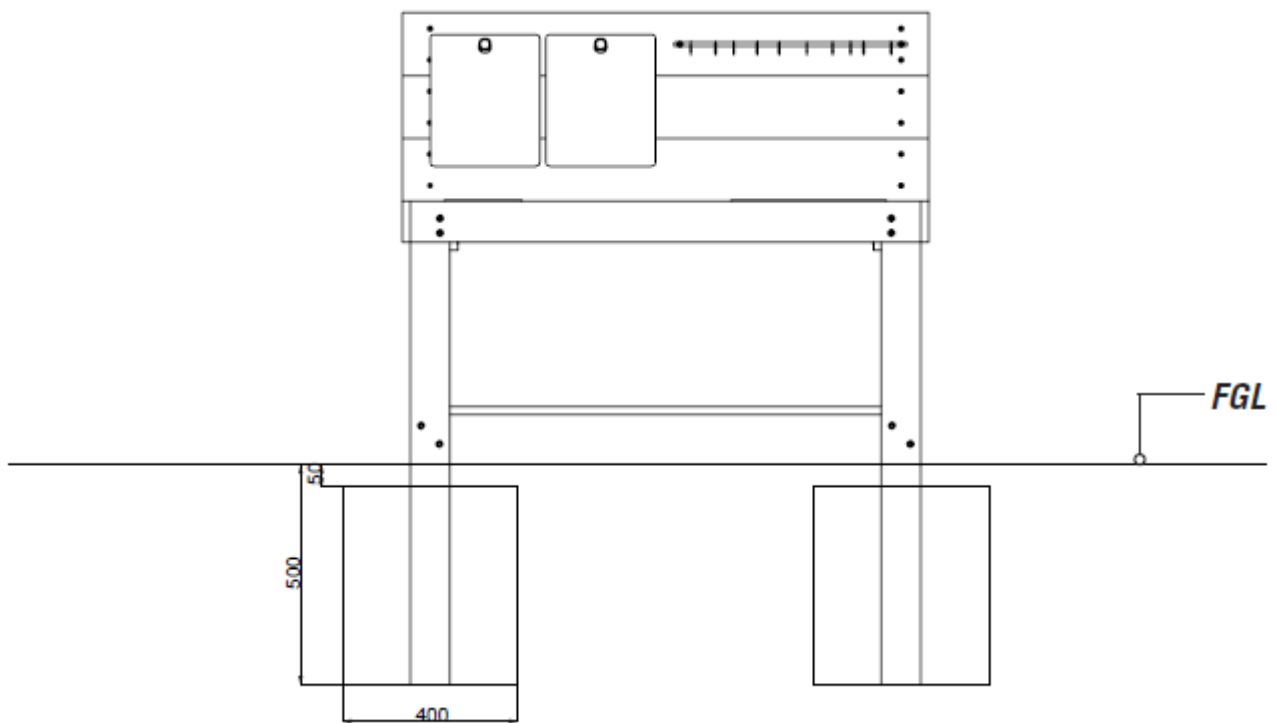
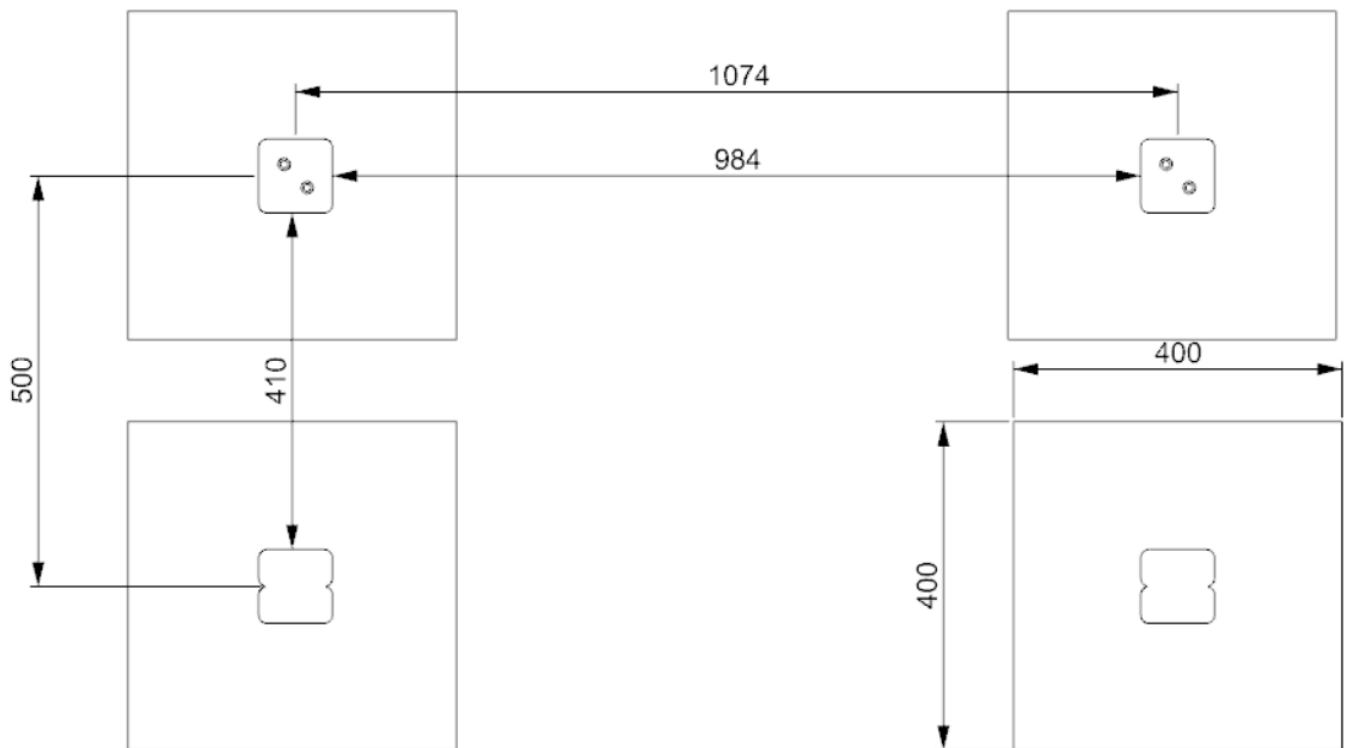
M8X80 SCREWS (X40)



x32

M8X180 SCREWS

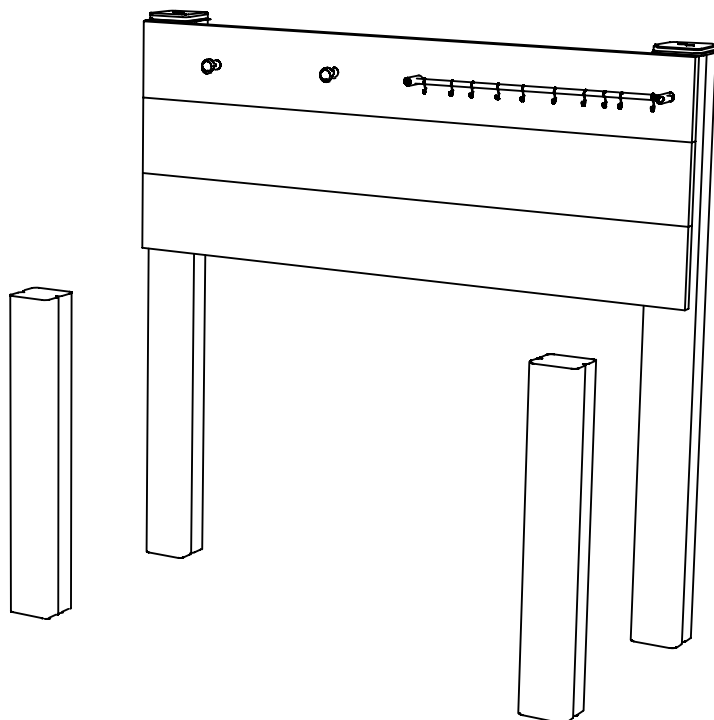
FOUNDATION DETAILS



INSTALLATION INSTRUCTIONS

1

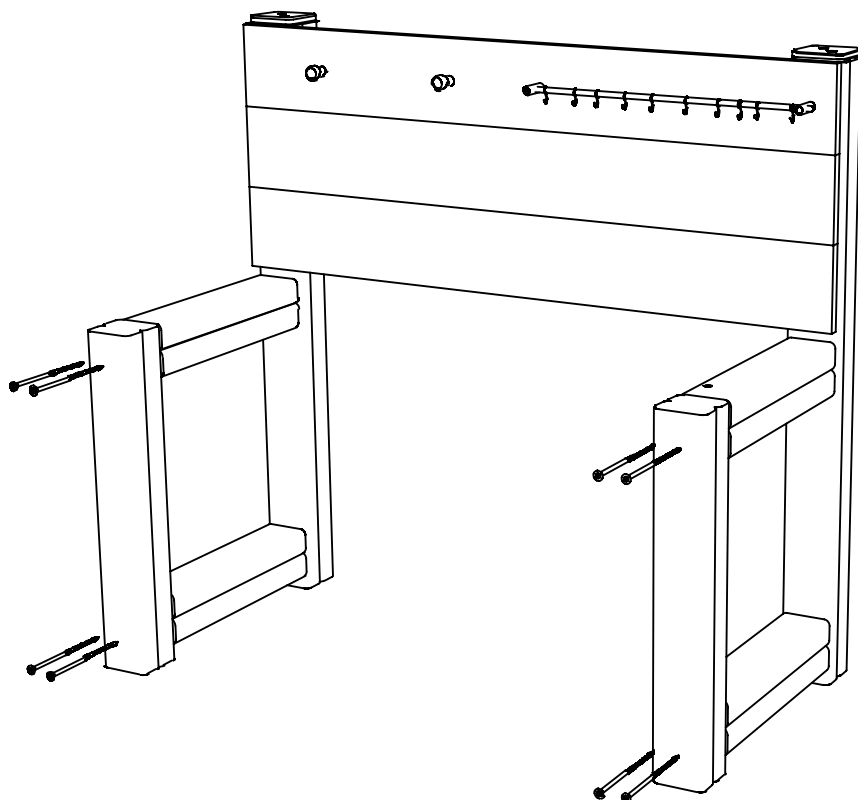
INSTALL PRE-ASSEMBLED PANEL AND 161-E INTO THE GROUND



2

ATTACH 161-D TO 161-E

USING - M8X180 SCREWS



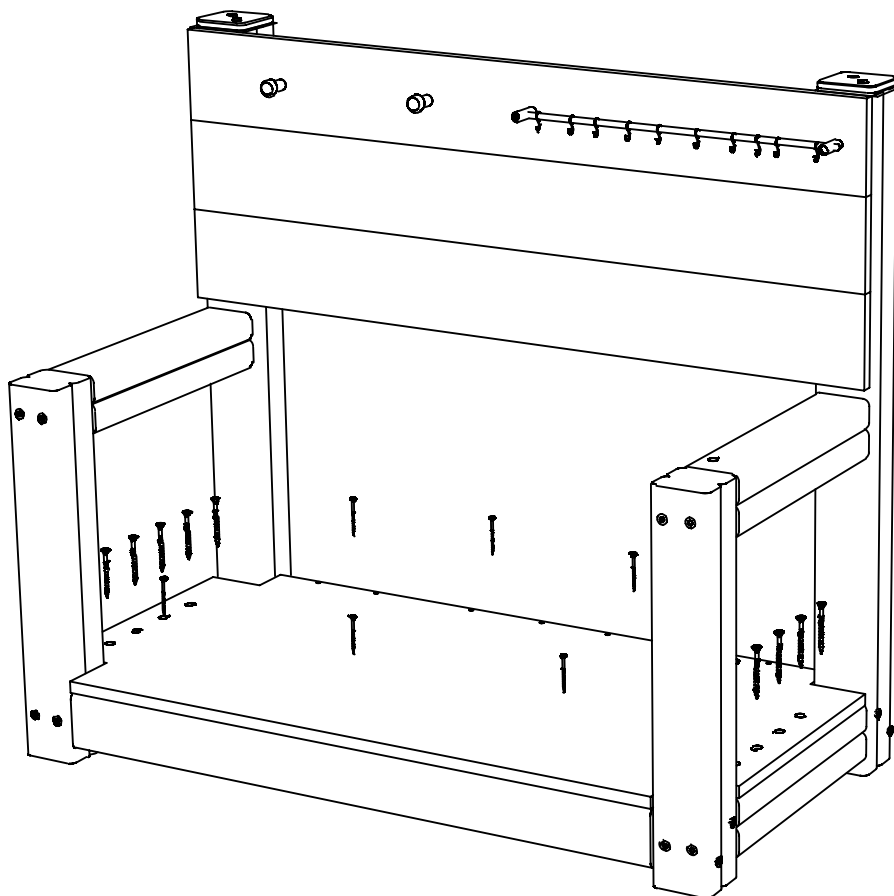
274.M12X230 X4

INSTALLATION INSTRUCTIONS

3

FIX PLAYTEC TO THE BOTTOM

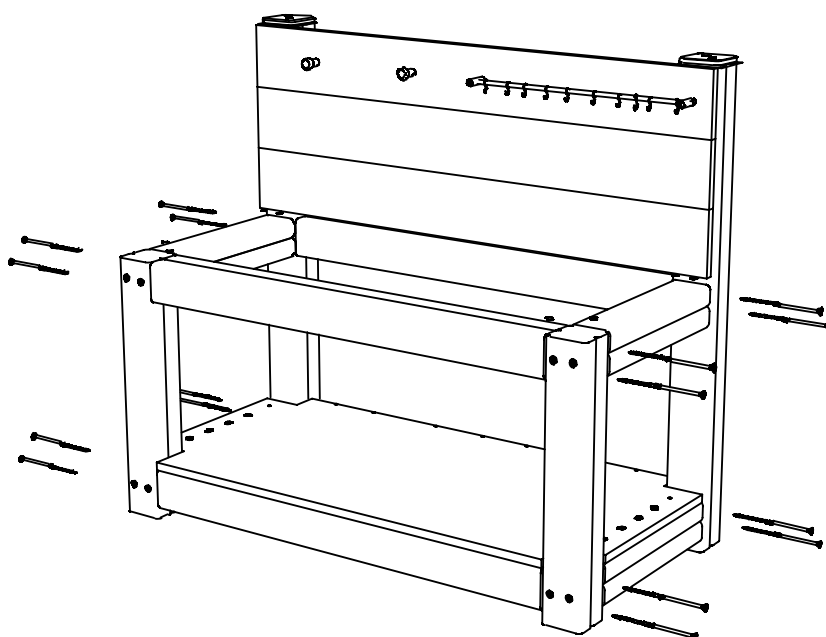
USING - M8X80 SCREWS X16



4

ATTATHC 161-F TO THE UPRIGHTS

USING - M8X180 SCREWS



INSTALLATION INSTRUCTIONS

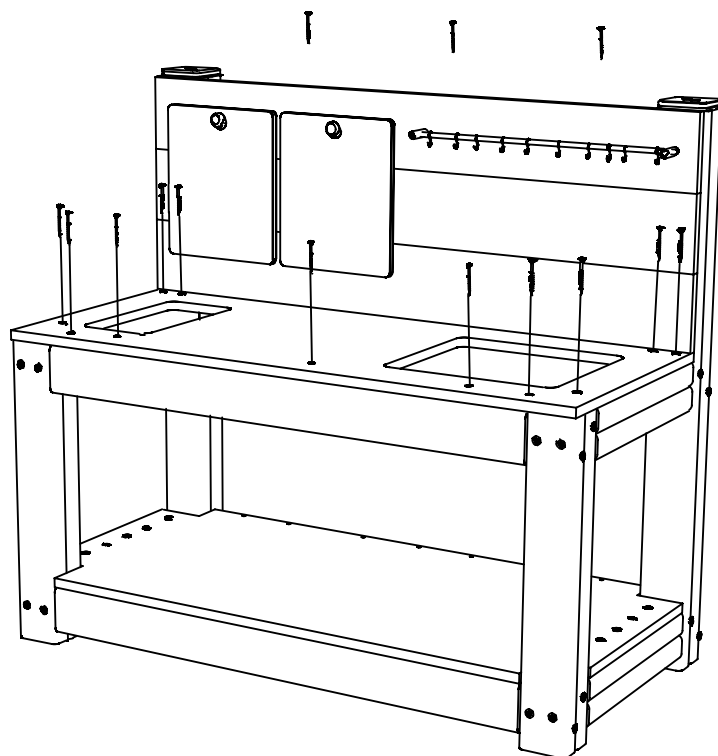
5

SECURE PLAYTEC TOP

USING - M8X80 SCREWS X14

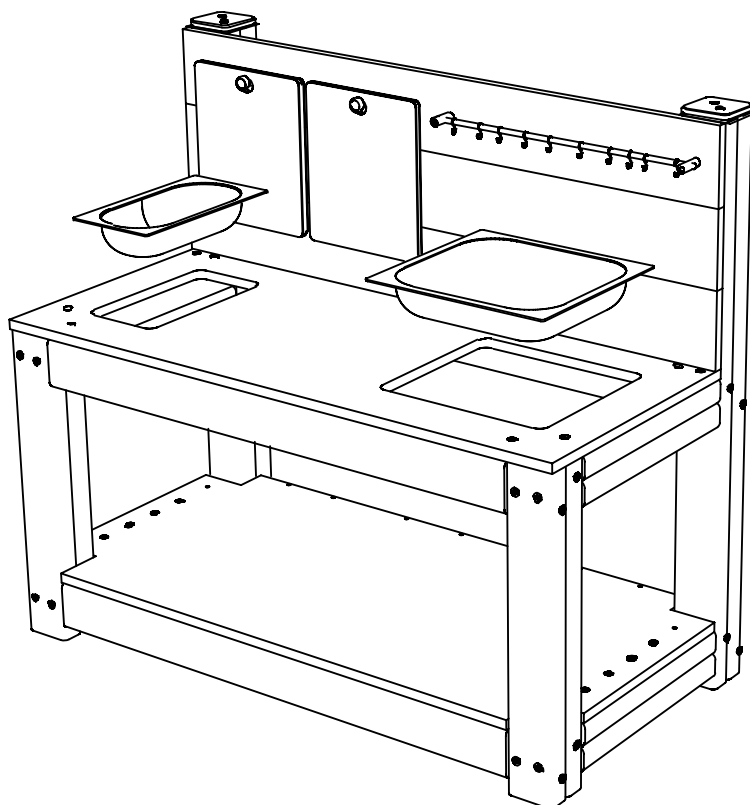
NOTES:

ENSURE PLAYTEC IS SLOTTED INTO
12MM GAP OF PRE-ASSEMBLED
PLANEL AND ALL EDGES ARE FLUSH
WITH TIMBER LEGS



6

INSERT GASTRONORM PANS AND HOOK CHALK BOARDS ONTO PEGS



ADDITIONAL DIMENSIONS

