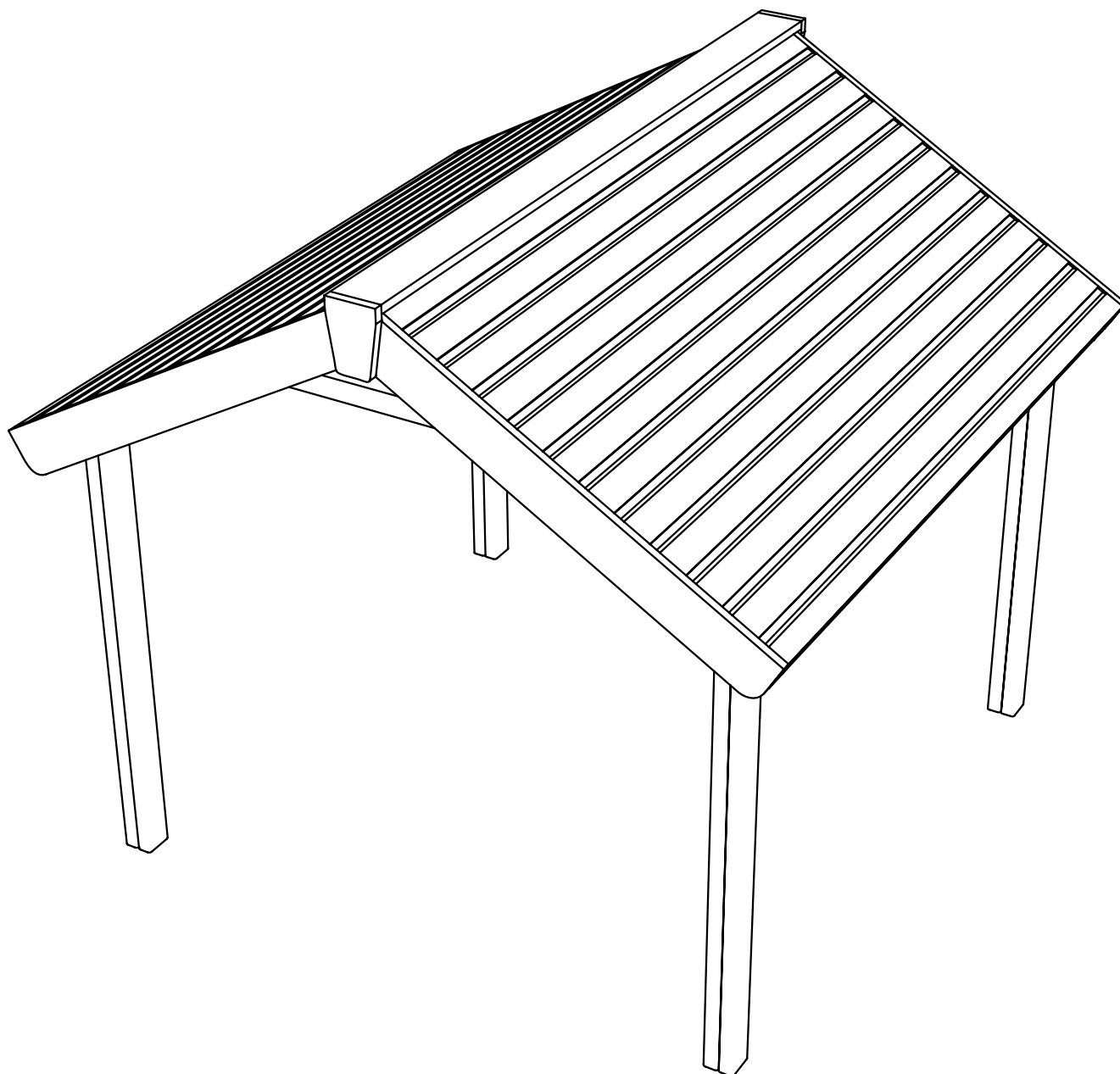
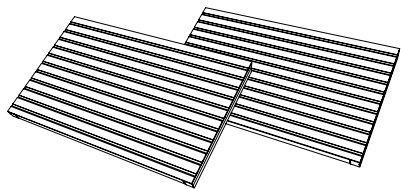


NUR154 - TIMBER PLAYHOUSE CANOPY ONLY
Installation Instructions

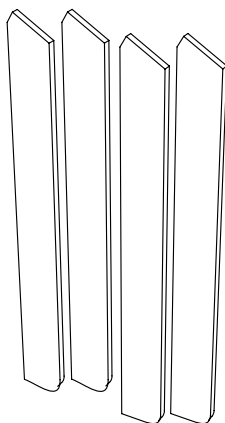
**creative
play**



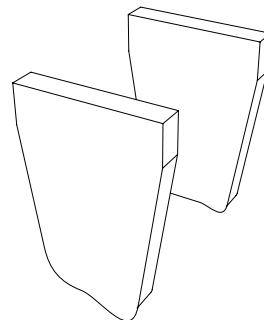
PARTS REQUIRED



ROOF PANEL ASSEMBLY [X2]



154F [X4]



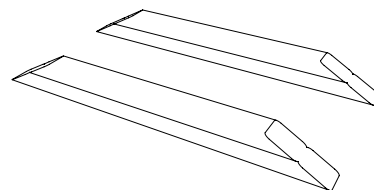
154G [X2]



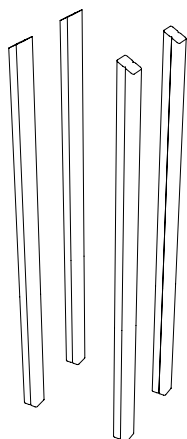
154H



154J



154k [X2]



154A [X4]



M8X80 [X21]



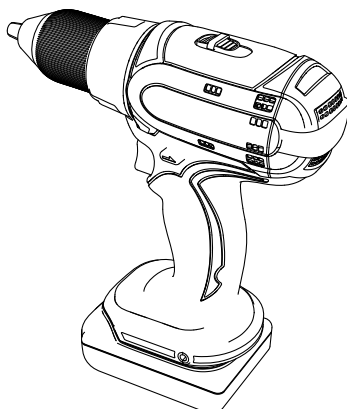
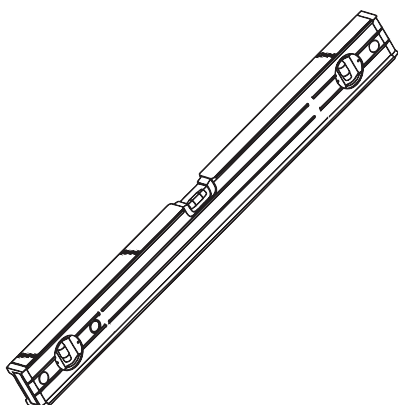
M8X120 [X10]

PARTS REQUIRED

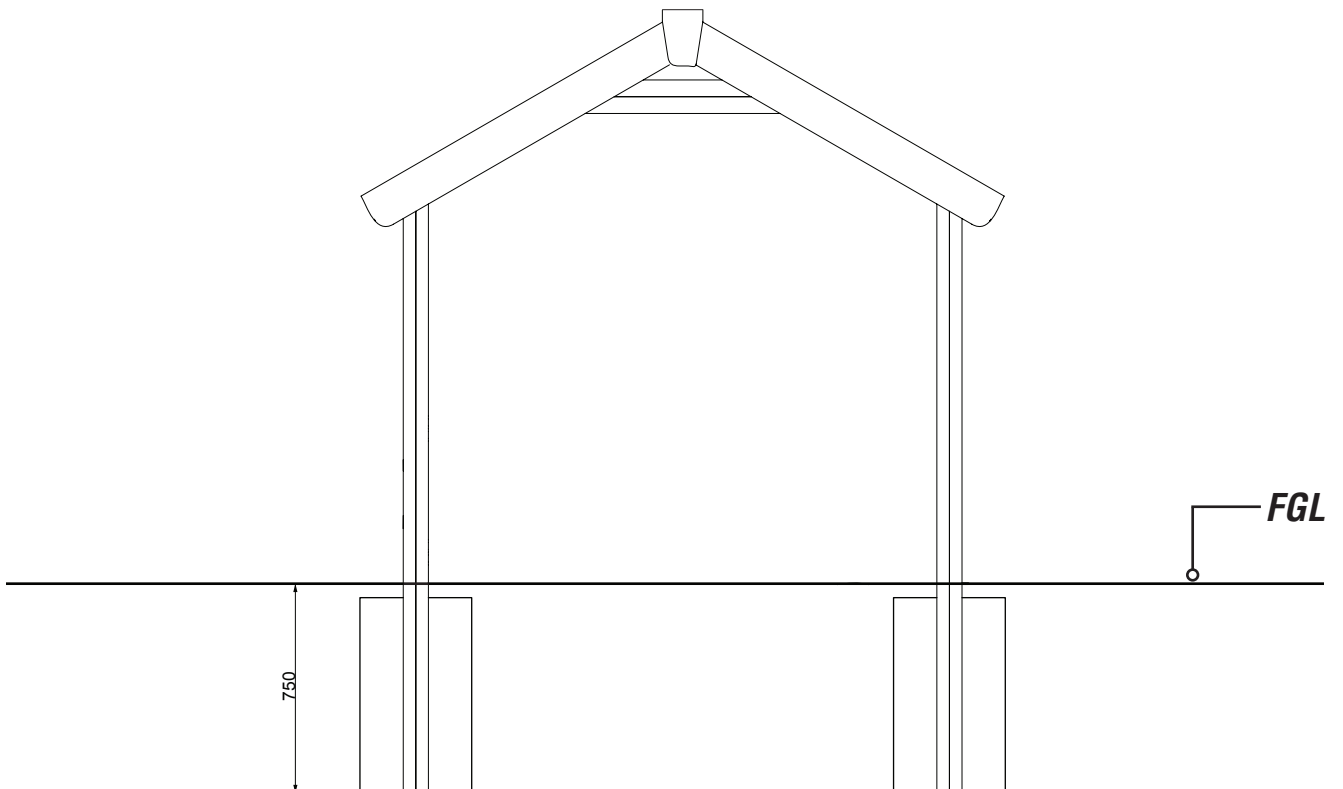
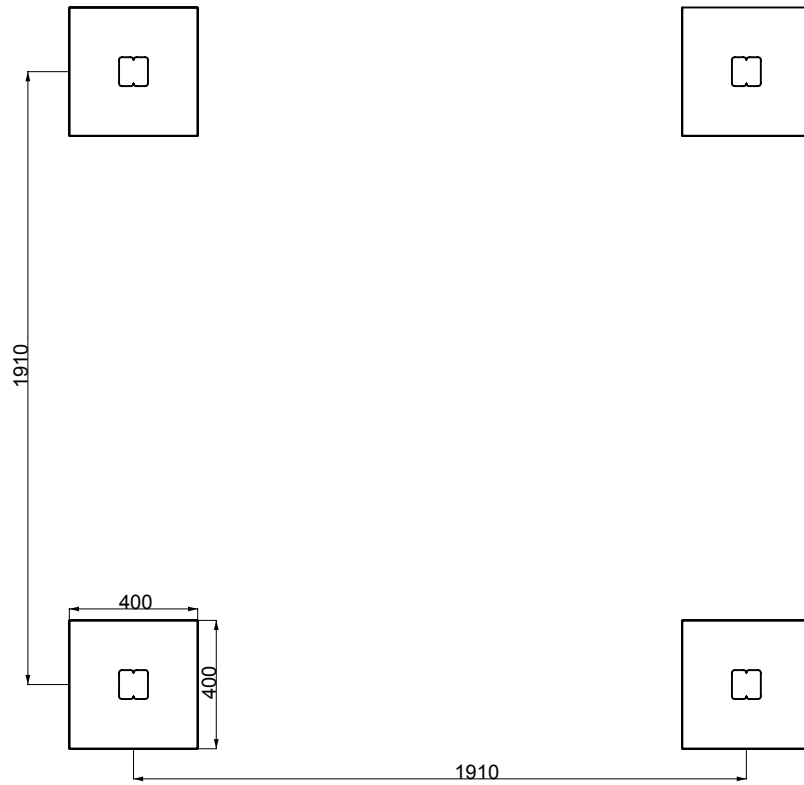


M8X180 [X16]

TOOLS REQUIRED

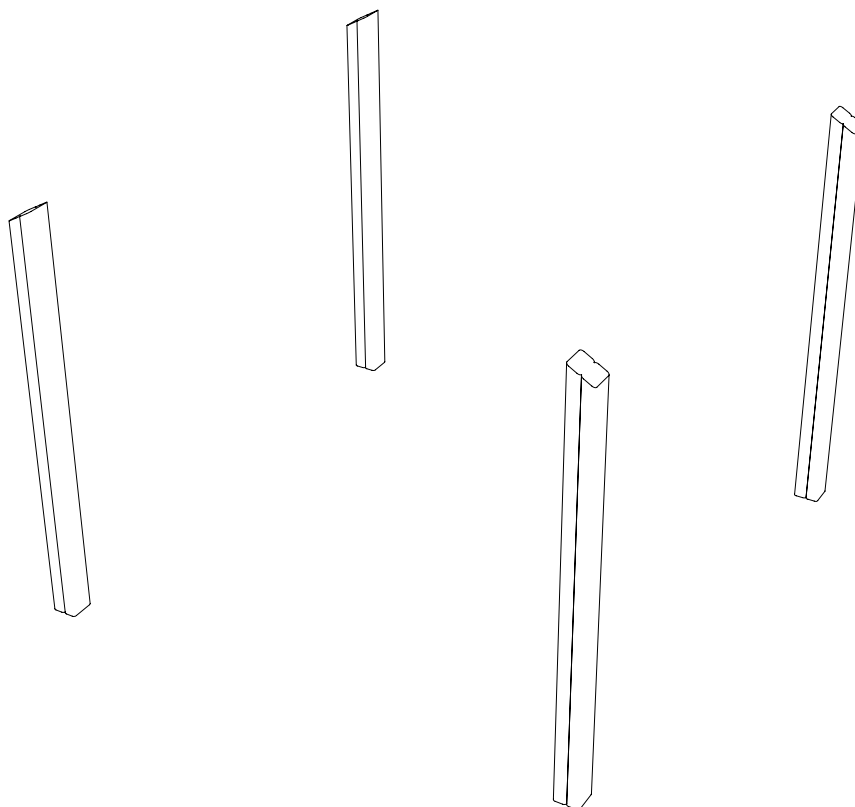


FOUNDATION DETAIL

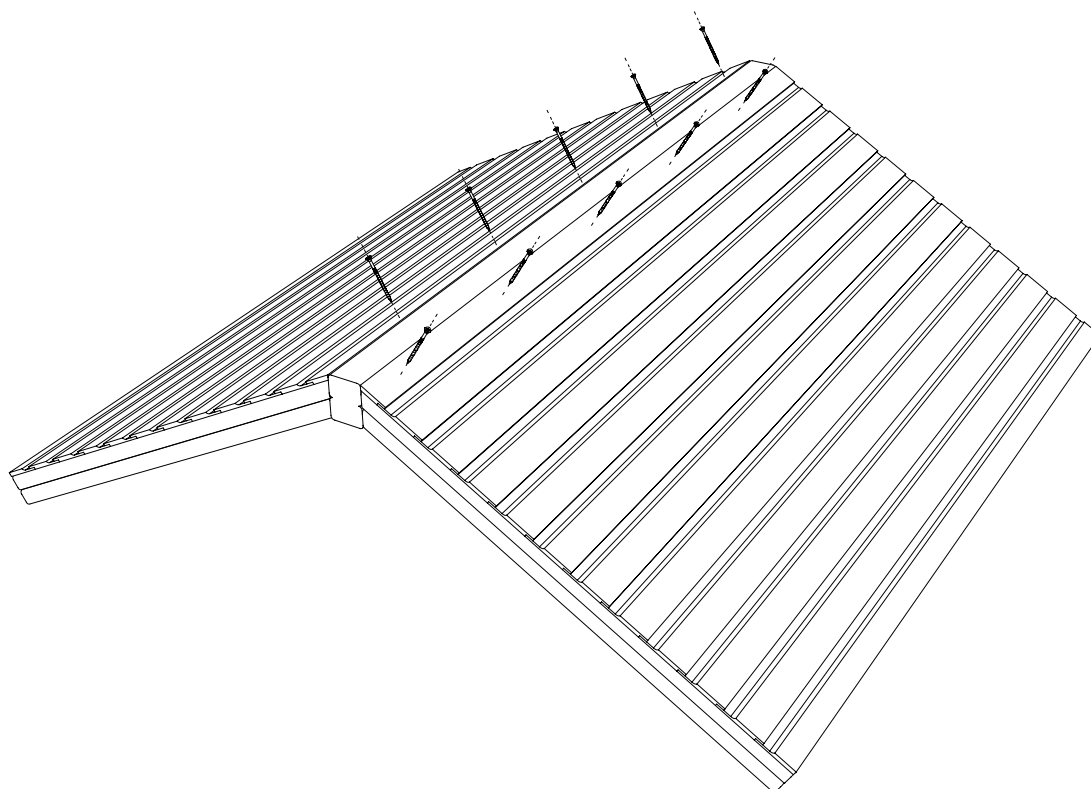


INSTALLATION INSTRUCTIONS

1 INSTALL 154A INTO THE GROUND



2 ATTACH ROOF ASSEMBLIES TO 154J USING M8X120 WOOD SCREW

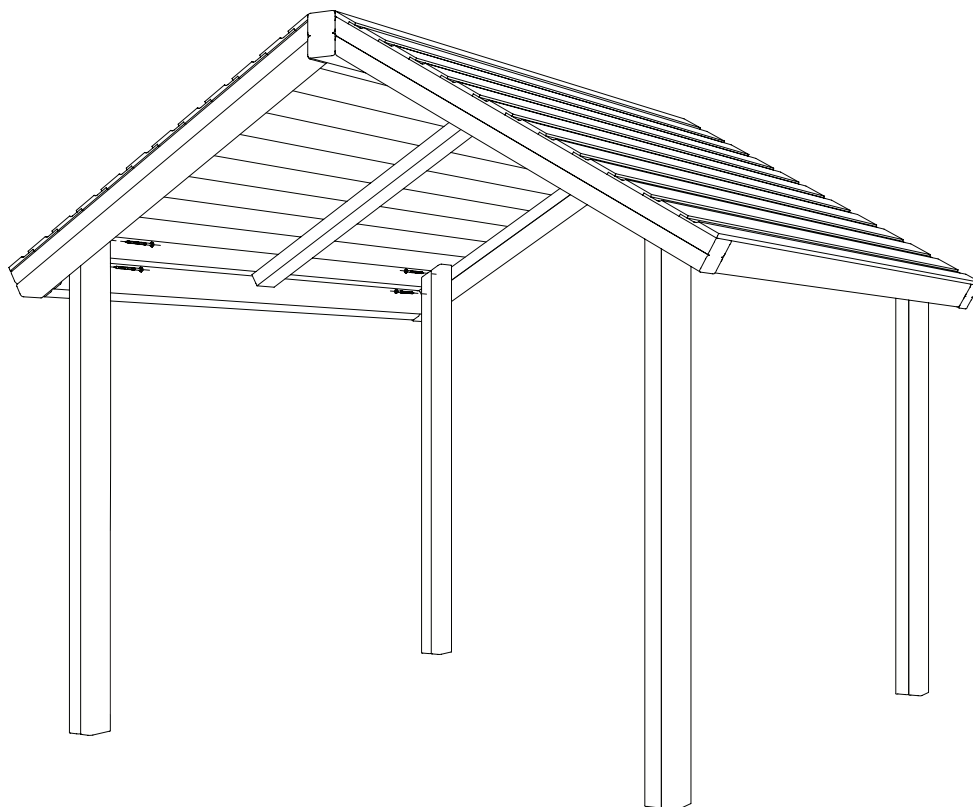


INSTALLATION INSTRUCTIONS

3

POSITION ROOF AND FIX TO UPRIGHTS

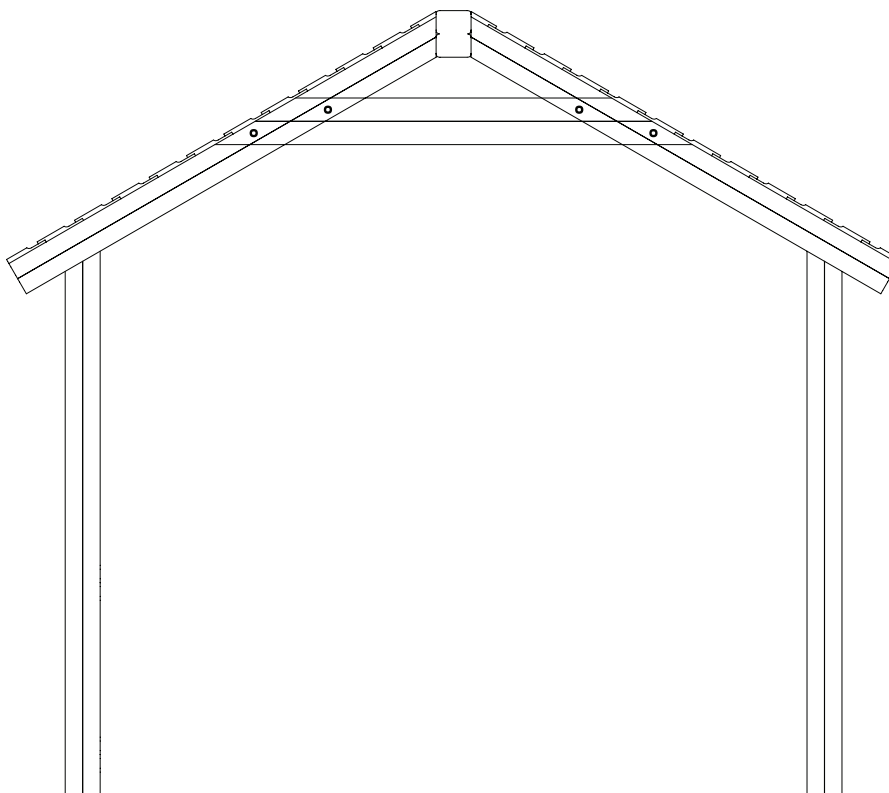
USING M8X180 WOOD SCREWS



4

ATTACH 154K TO THE ROOF ASSEMBLIES

USING M8X180 WOOD SCREW FROM THE INSIDE

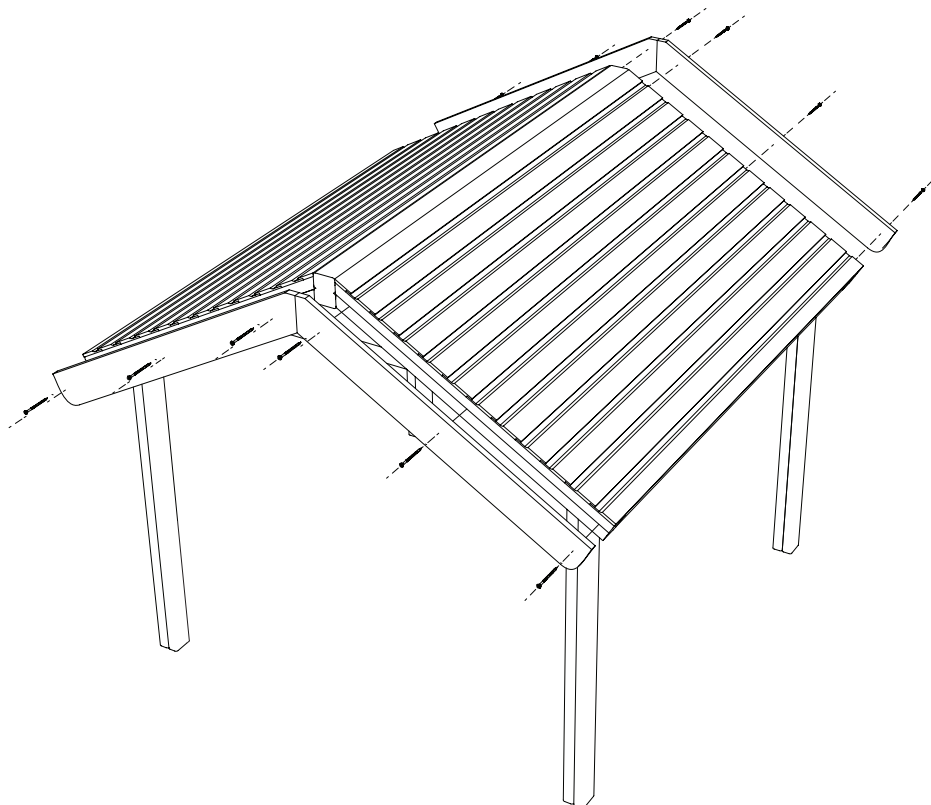


INSTALLATION INSTRUCTIONS

5

ATTACH 154F TO 154J AND THE ROOF ASSEMBLY TIMBERS

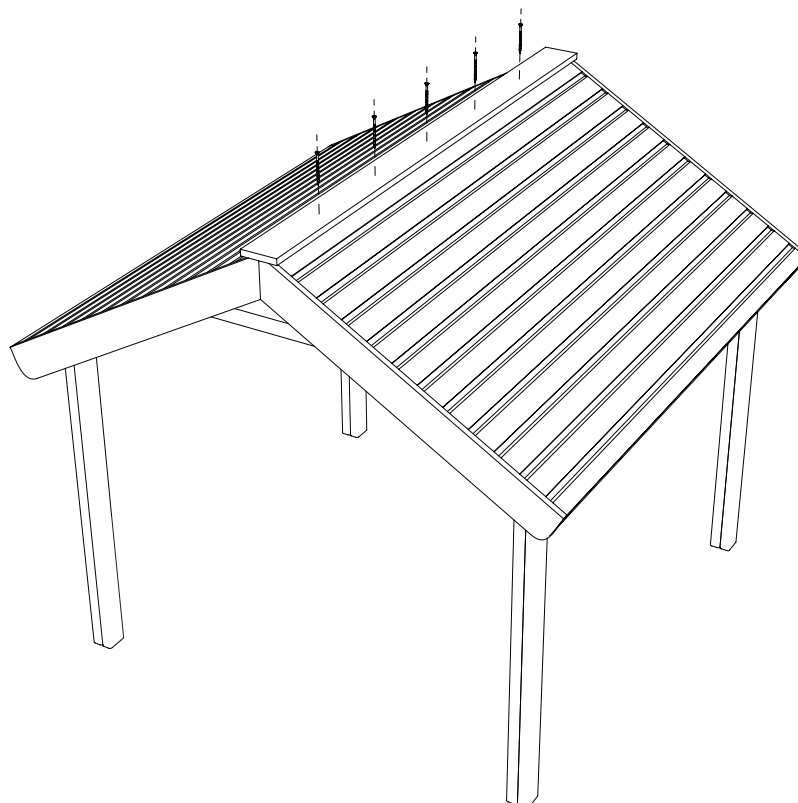
USING M8X80 WOOD SCREWS - ENSURE TIMBERS ARE FLUSH WITH TOP OF 154J



6

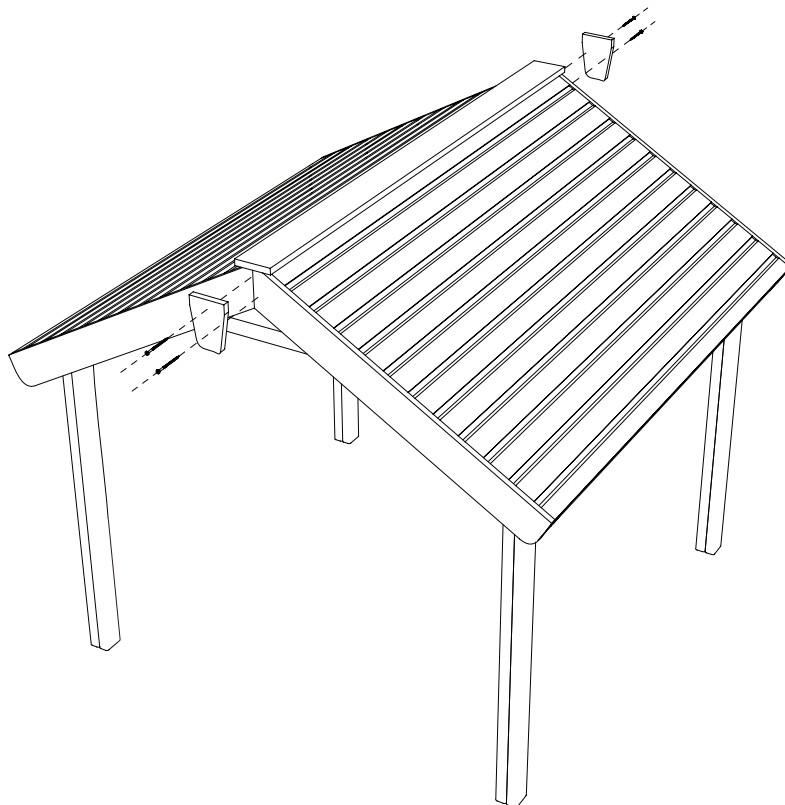
ATTACH 154H TO 154J

USING M8X80 WOOD SCREW



INSTALLATION INSTRUCTIONS

9 **ATTACH 154G TO 154F**
USING M8X80 WOOD SCREWS



ADDITIONAL DIMENSIONS

