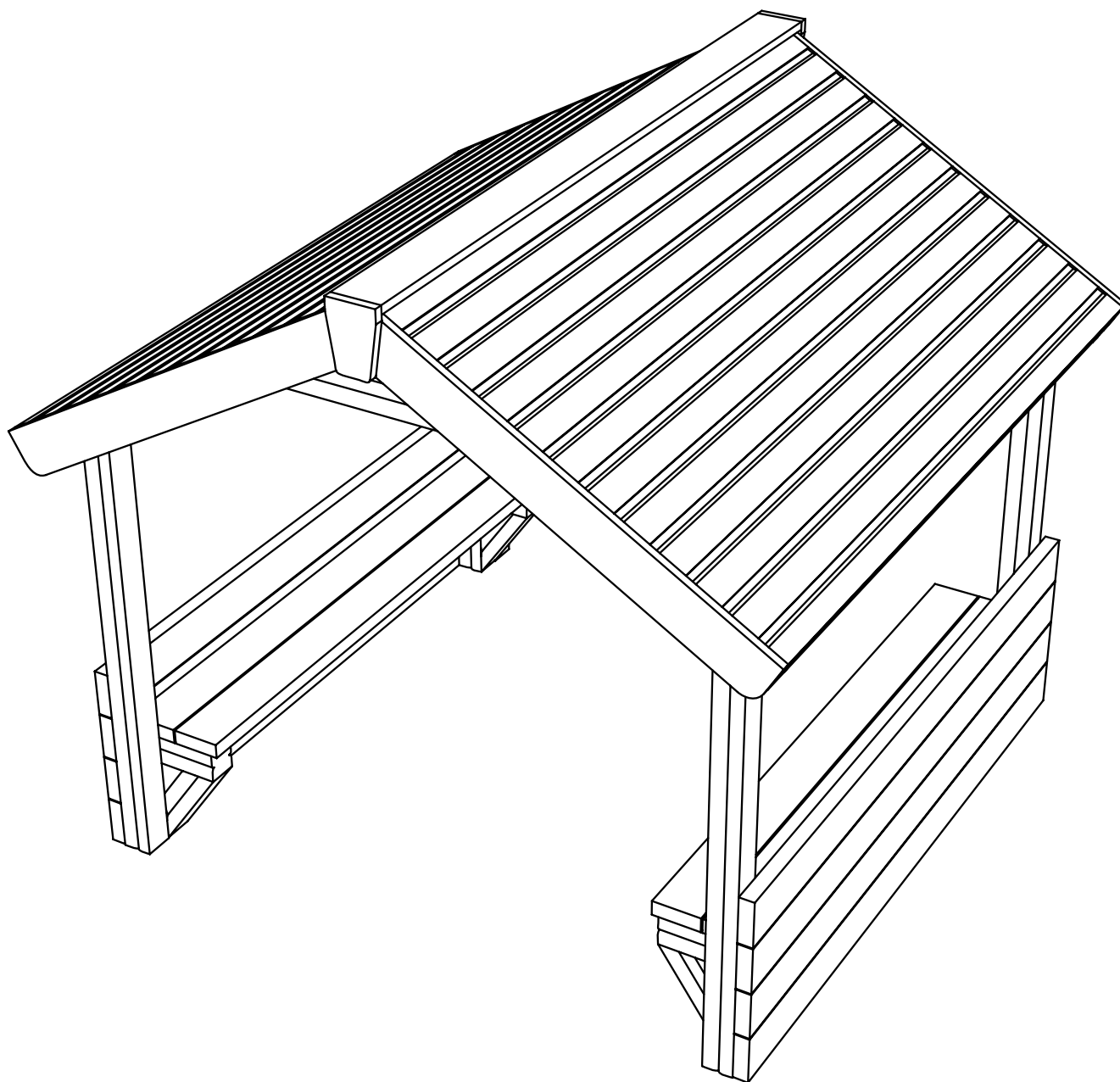


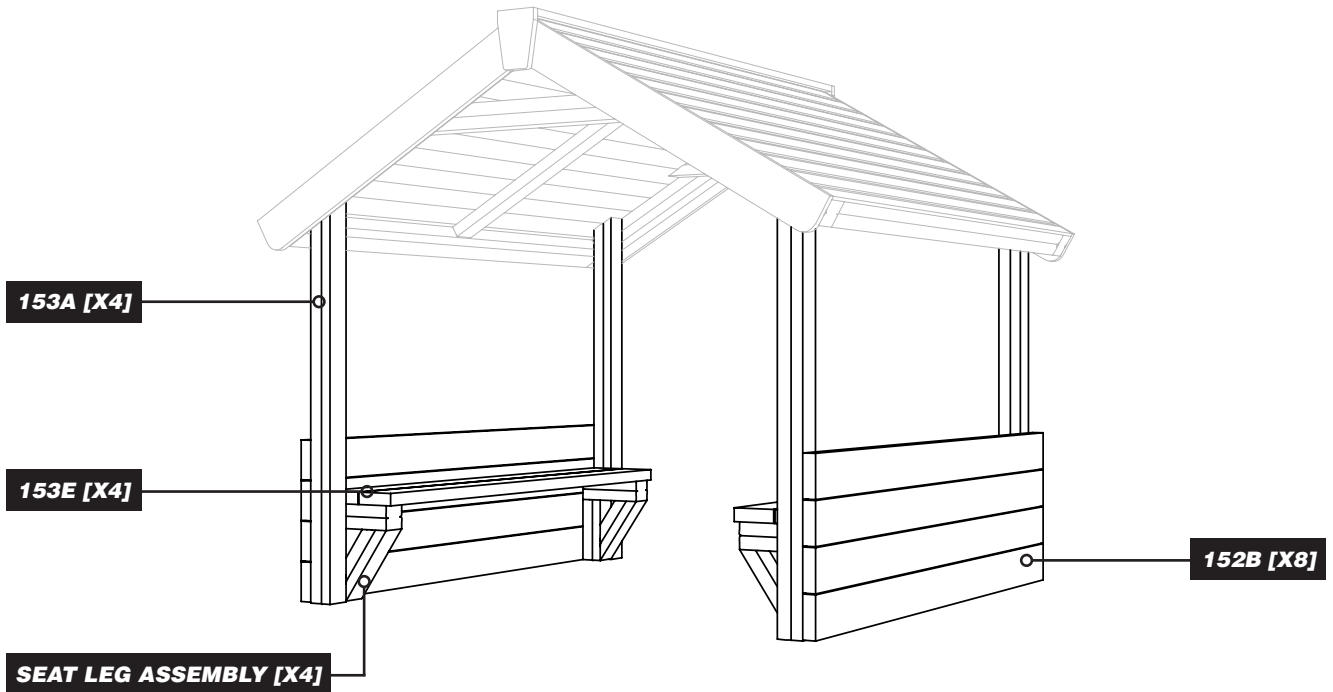
NUR153 - TIMBER PLAYHOUSE WALK THROUGH
Installation Instructions

**creative
play**

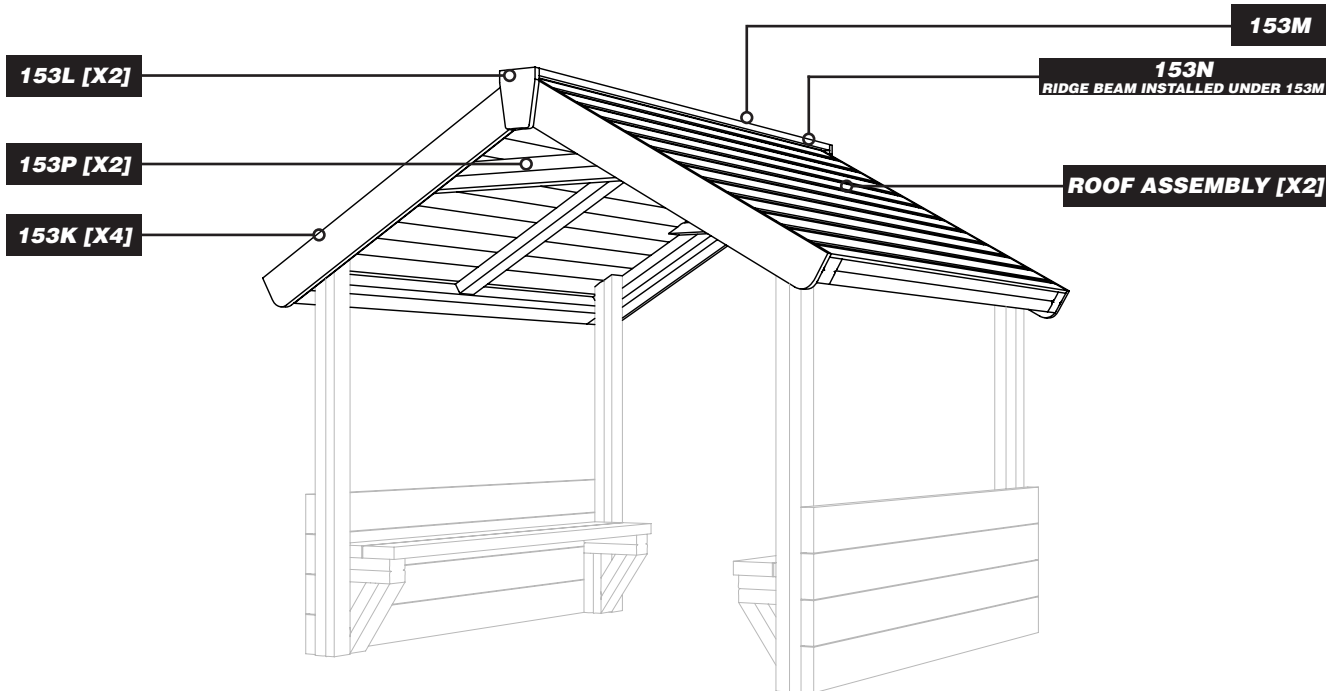


PARTS REQUIRED

MAIN BODY TIMBERS



ROOF ASSEMBLY TIMBERS



PARTS REQUIRED



M8X80 [X69]

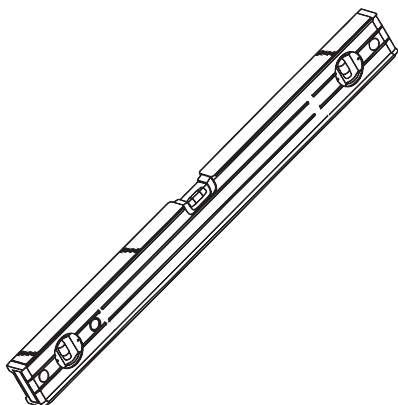


M8X120 [X10]

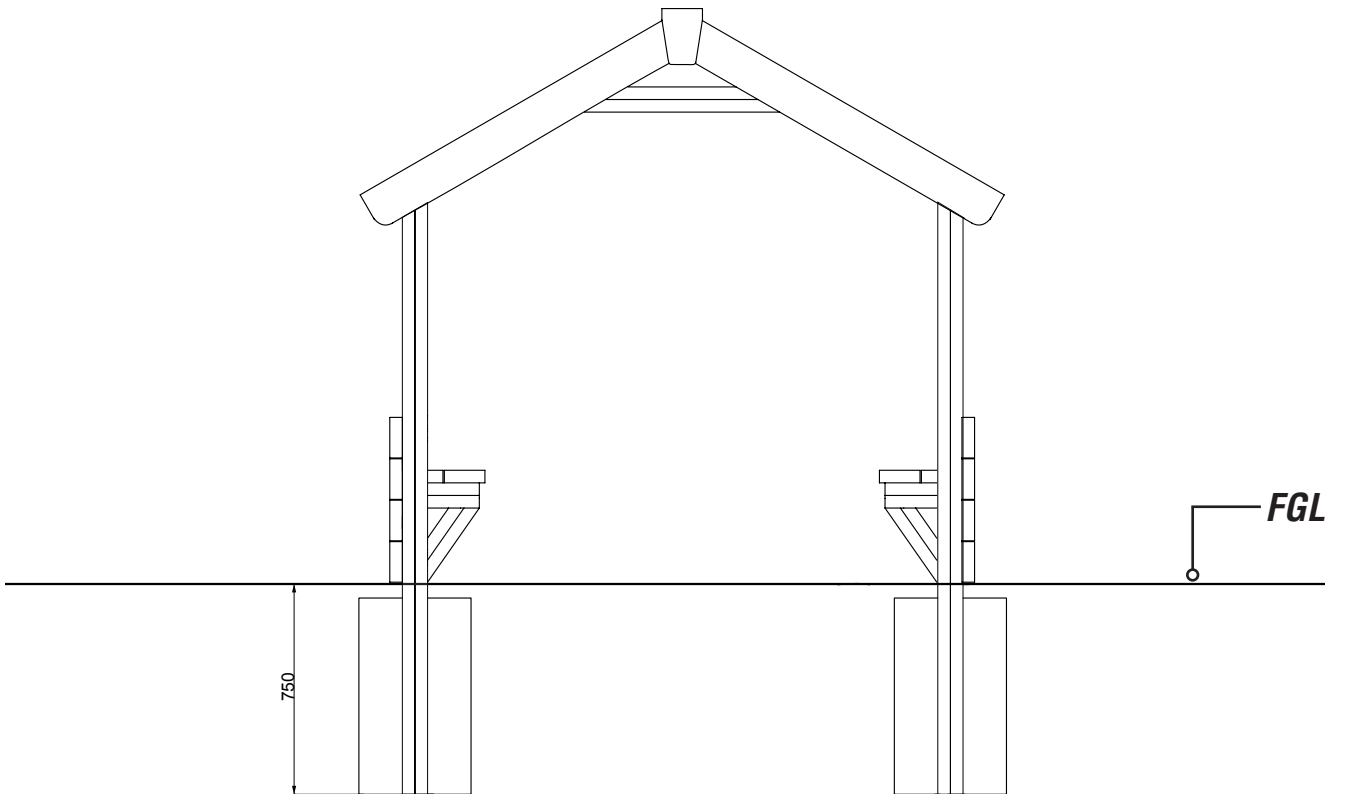
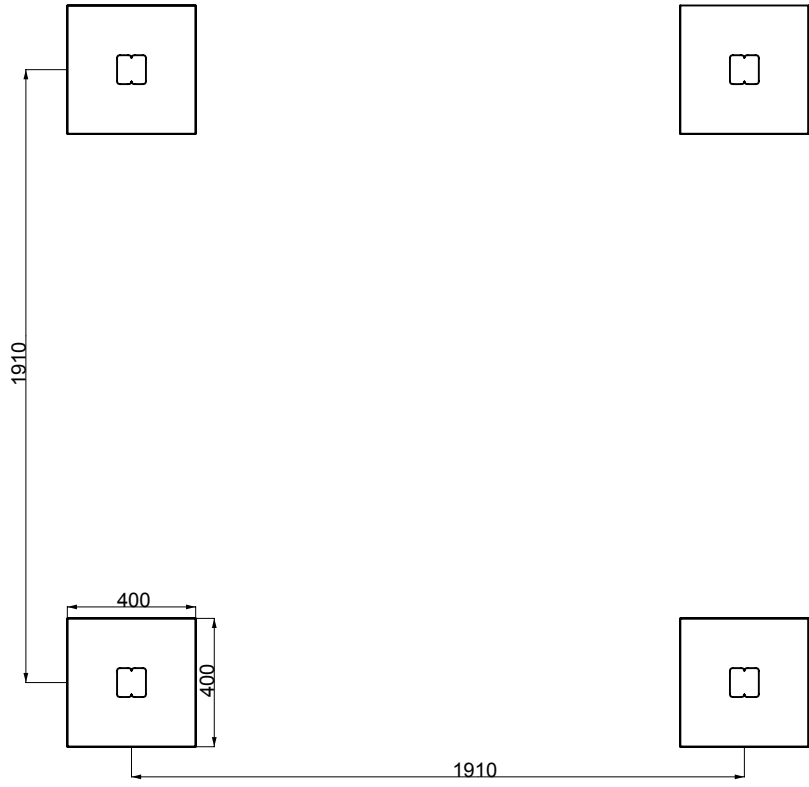


M8X180 [X28]

TOOLS REQUIRED

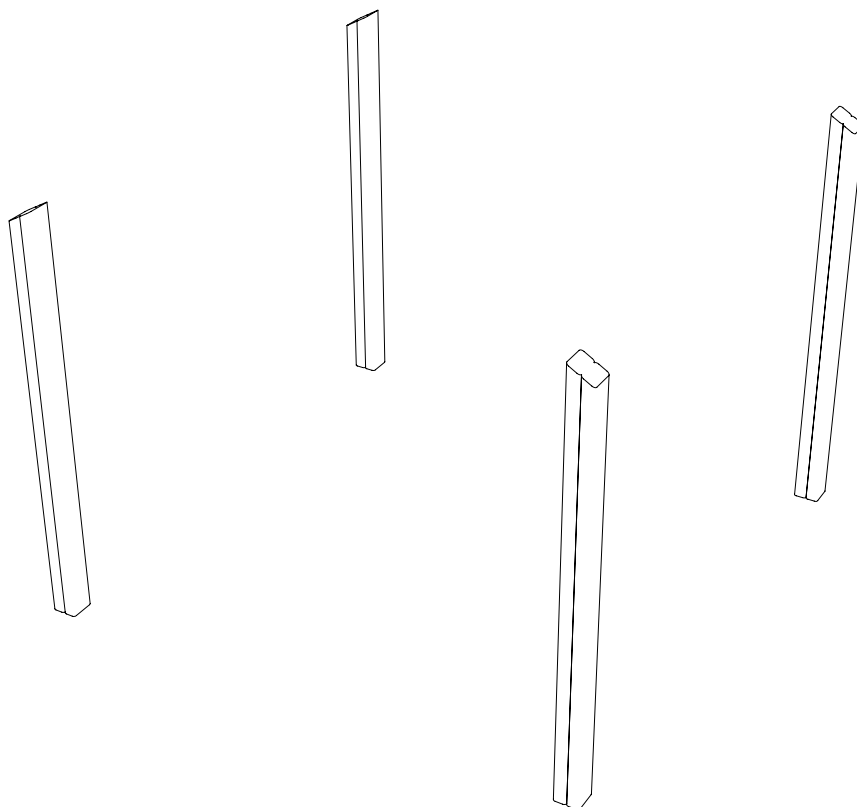


FOUNDATION DETAIL

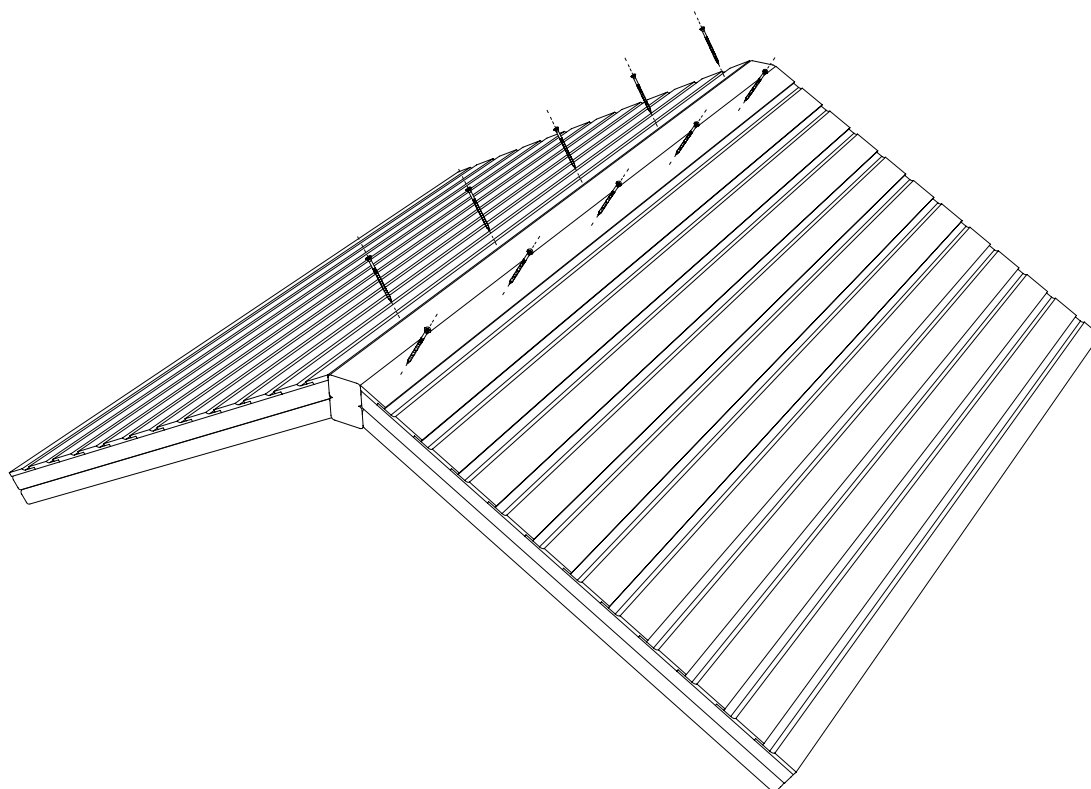


INSTALLATION INSTRUCTIONS

1 *INSTALL 153A INTO THE GROUND*



2 *ATTACH ROOF ASSEMBLIES TO 153N USING M8X120 WOOD SCREW*

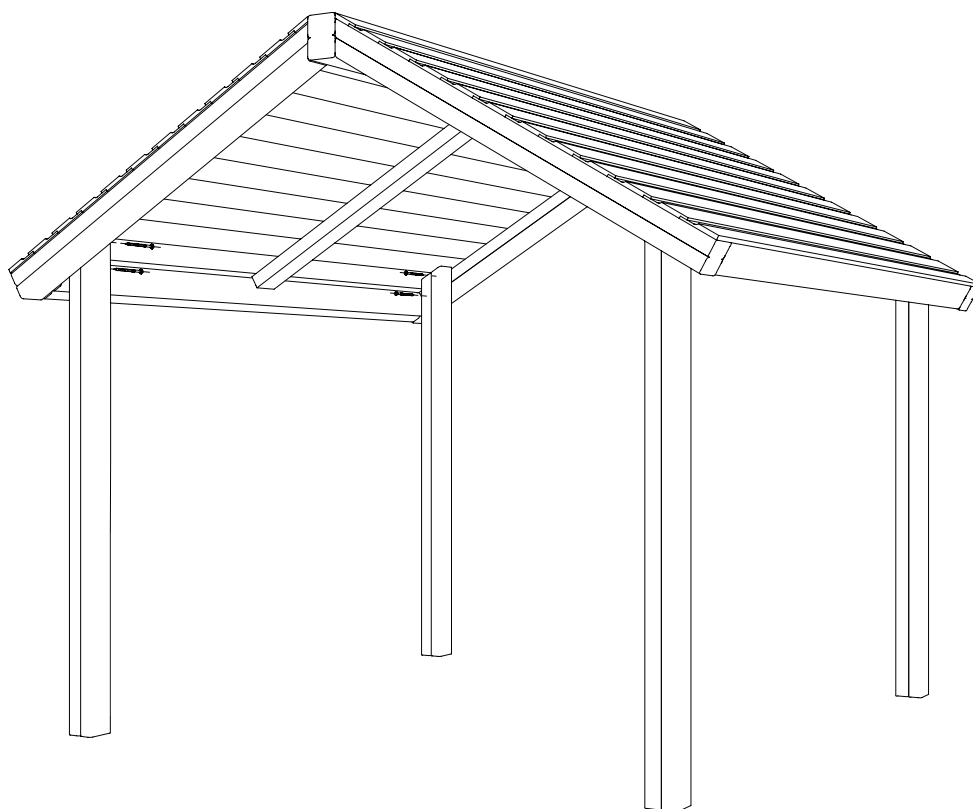


INSTALLATION INSTRUCTIONS

3

POSITION ROOF AND FIX TO UPRIGHTS

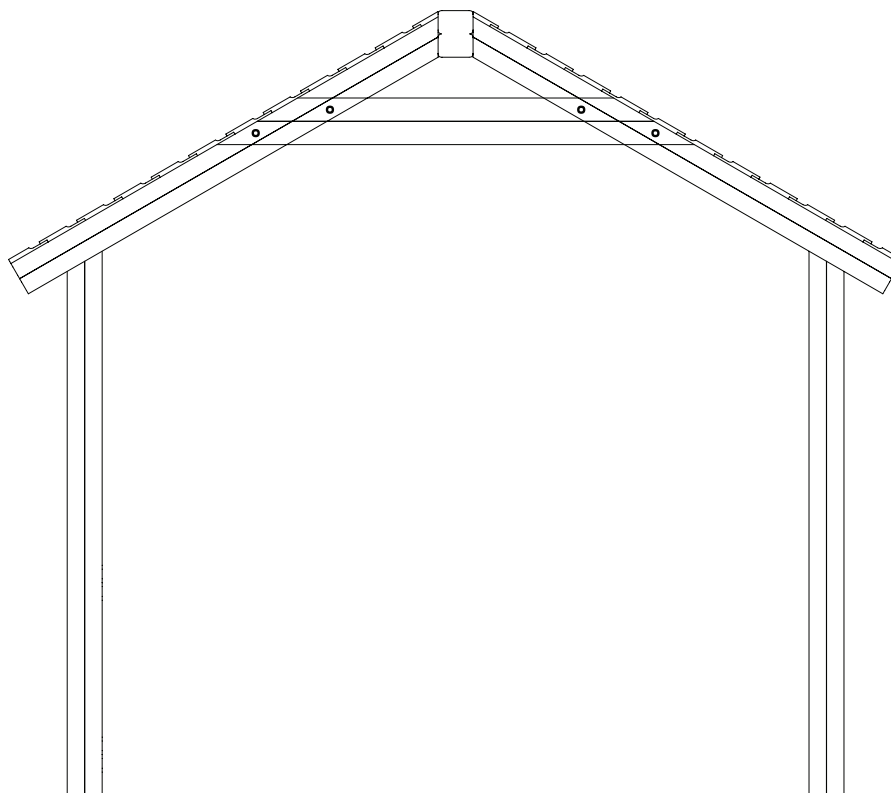
USING M8X180 WOOD SCREWS



4

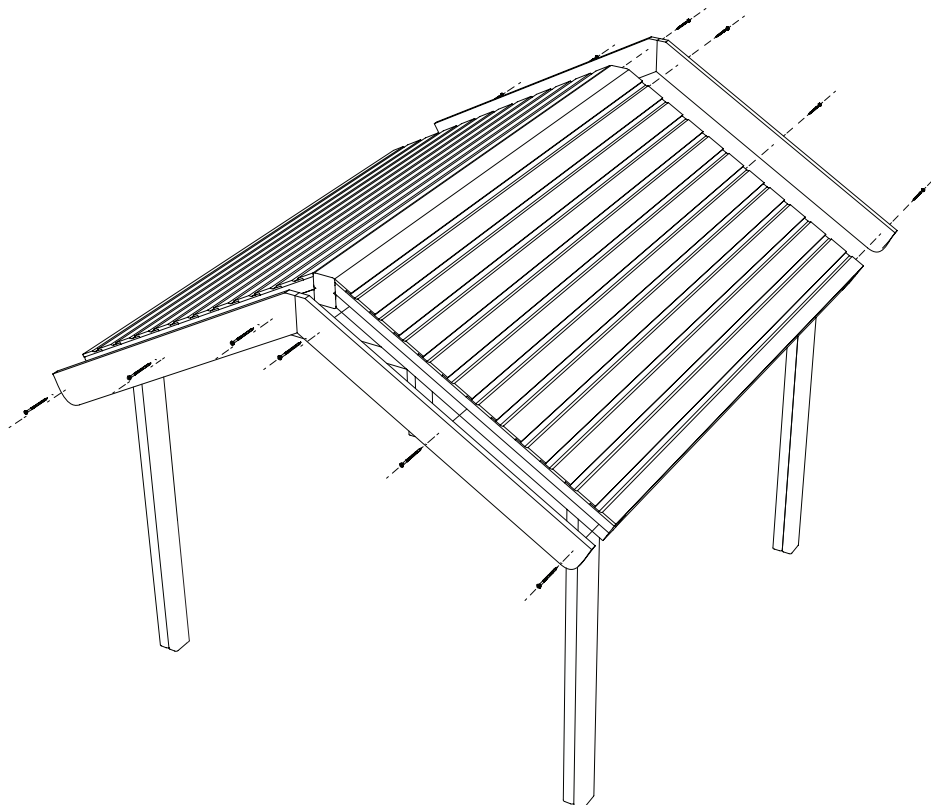
ATTACH 153P TO THE ROOF ASSEMBLIES

USING M8X180 WOOD SCREW FROM THE INSIDE

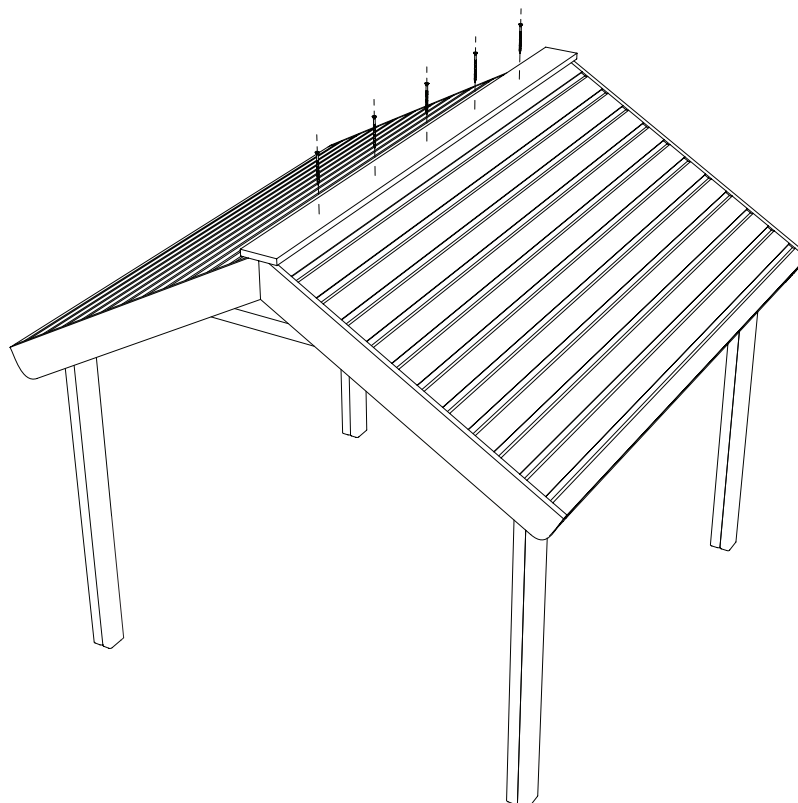


INSTALLATION INSTRUCTIONS

- 5** **ATTACH 153K TO 153N AND THE ROOF ASSEMBLY TIMBERS**
USING M8X80 WOOD SCREWS - ENSURE TIMBERS ARE FLUSH WITH TOP OF 153N

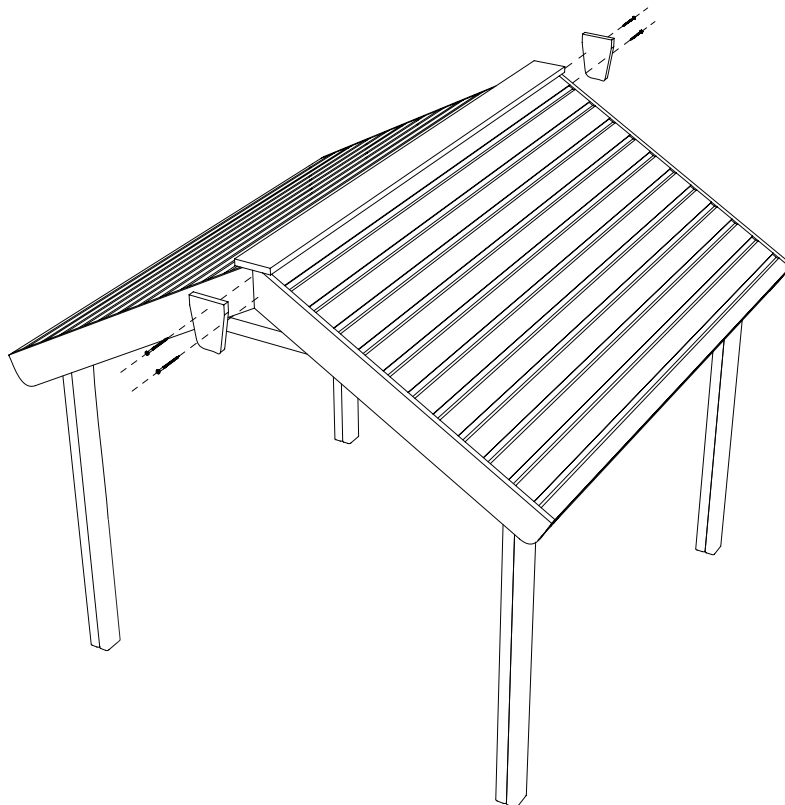


- 6** **ATTACH 153M TO 153N**
USING M8X80 WOOD SCREW

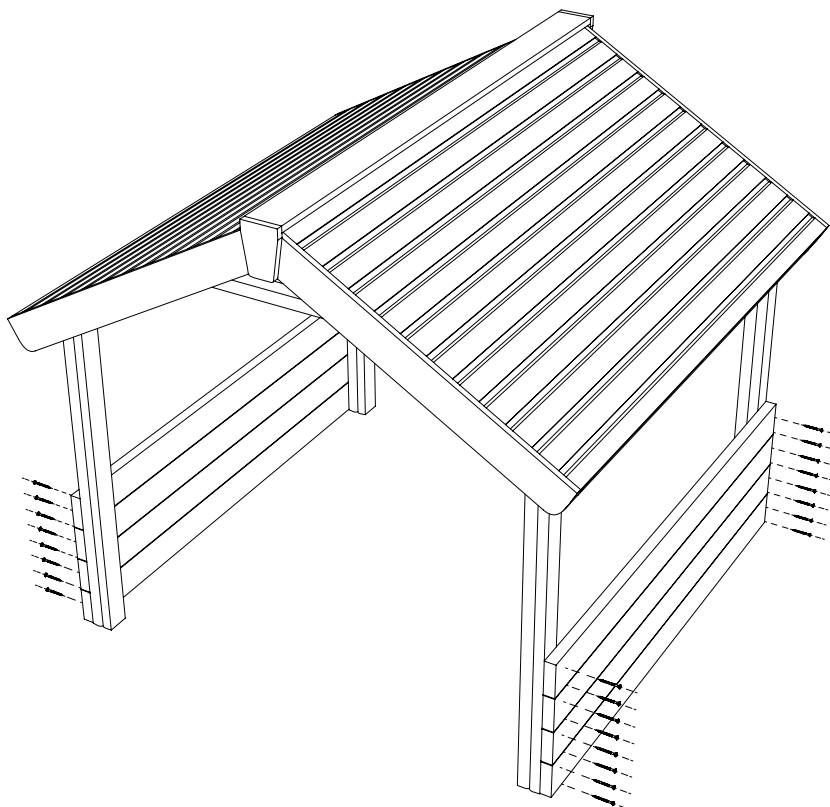


INSTALLATION INSTRUCTIONS

7 **ATTACH 153LTO 153K**
USING M8X80 WOOD SCREWS



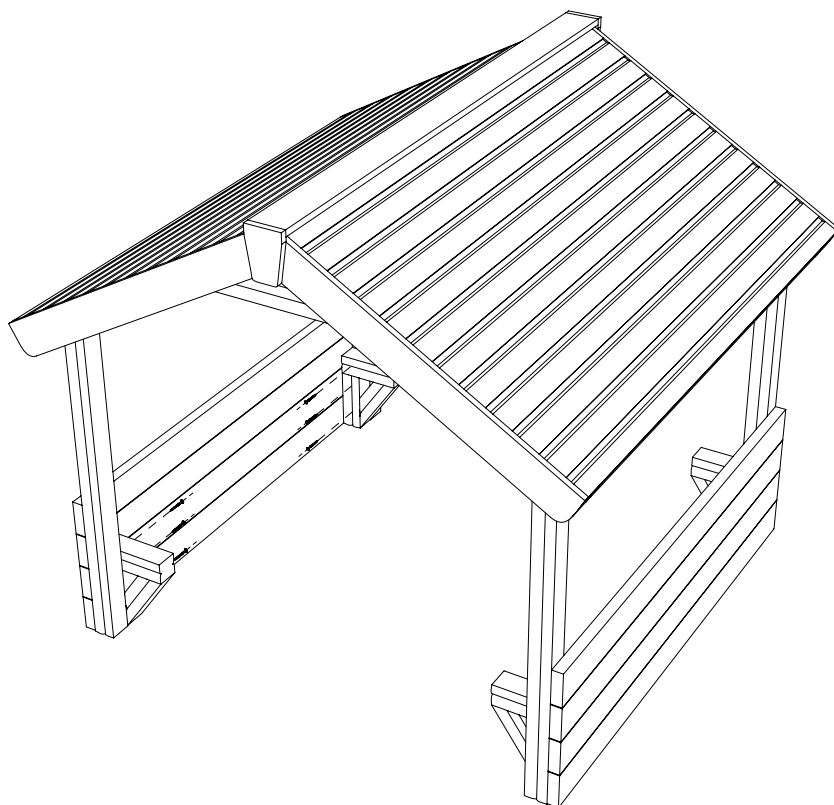
8 **ATTACH 153B TO 153A**
USING M8X80 WOOD SCREWS



INSTALLATION INSTRUCTIONS

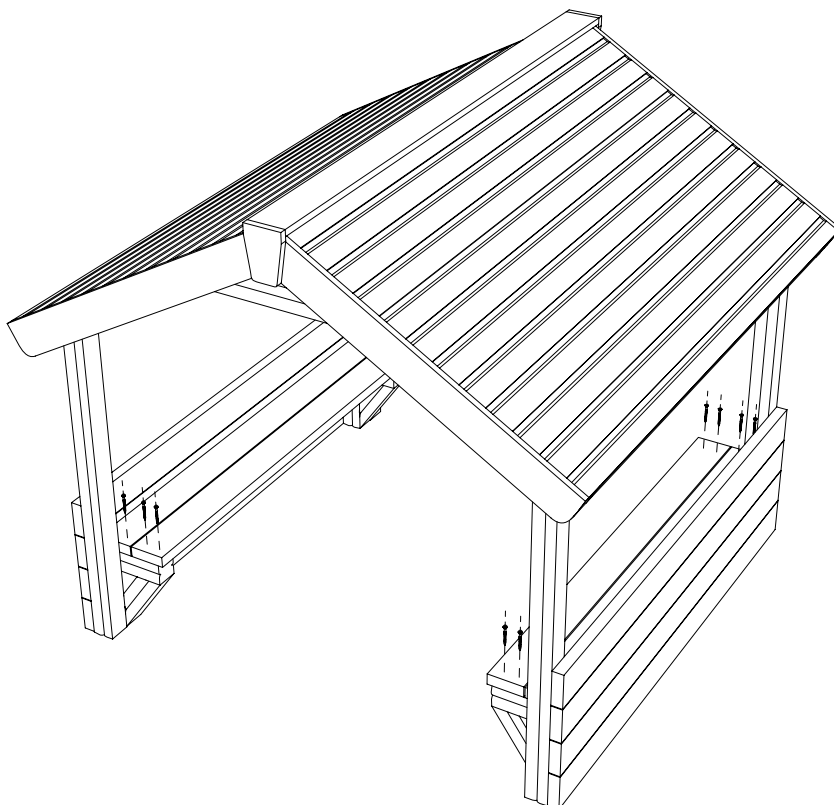
9

ATTACH SEAT SUPPORT ASSEMBLYS TO 153A ON BOTH SIDES
USING M8X180 WOOD SCREWS



10

ATTACH 153E TO SEAT SUPPORT ASSEMBLYS
USING M8X80 WOOD SCREWS



ADDITIONAL DIMENSIONS

