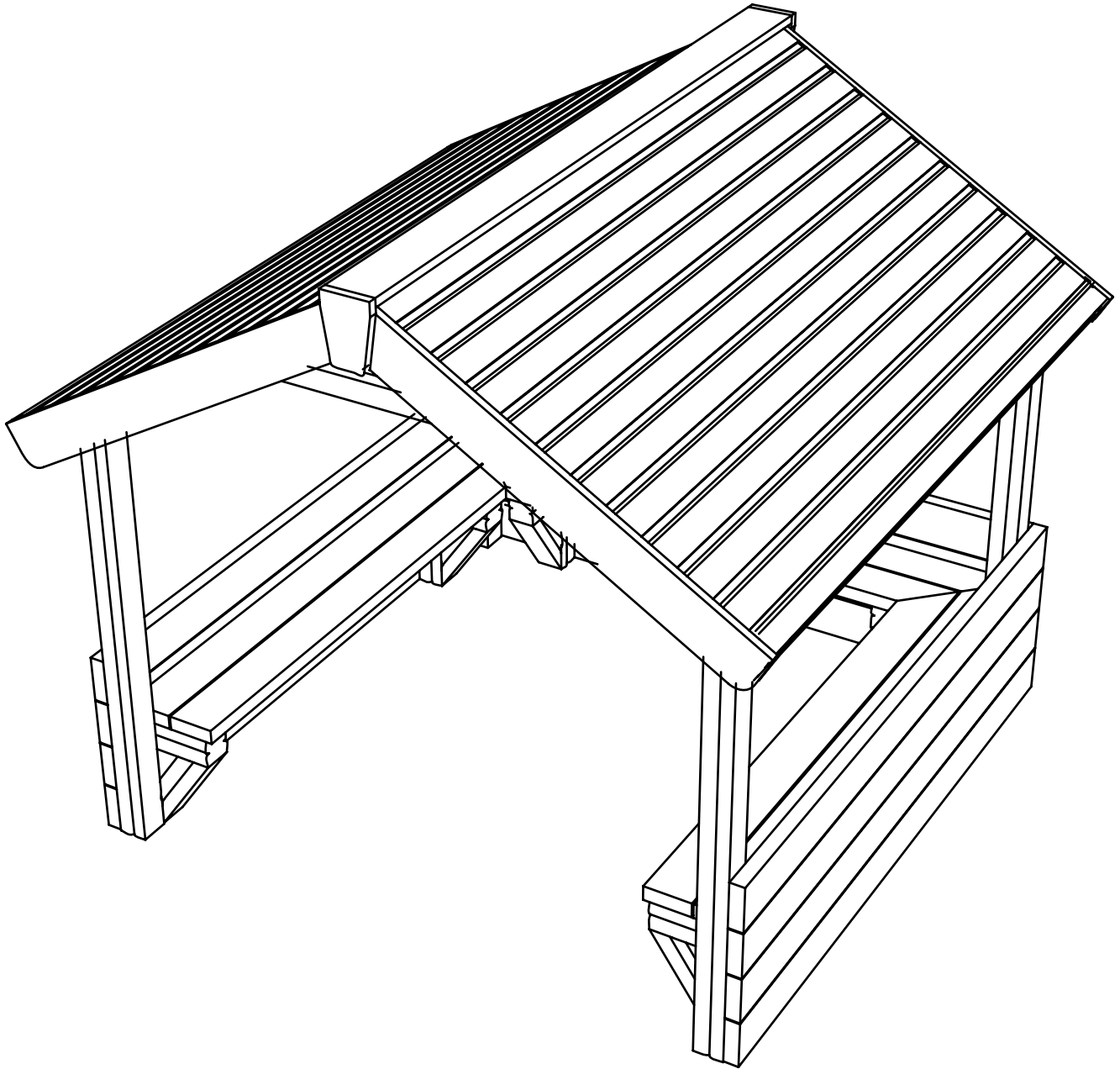


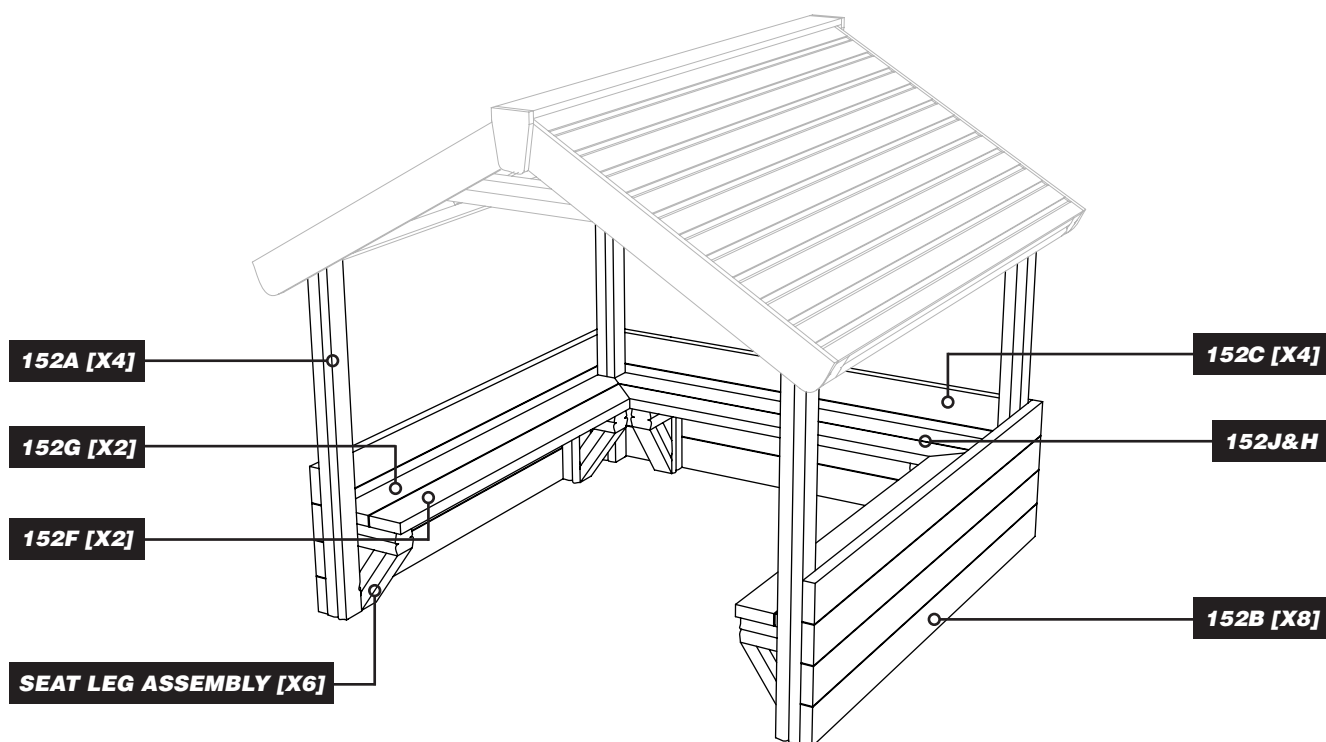
NUR152 - TIMBER PLAYHOUSE WITHOUT FLOOR
Installation Instructions

**creative
play**

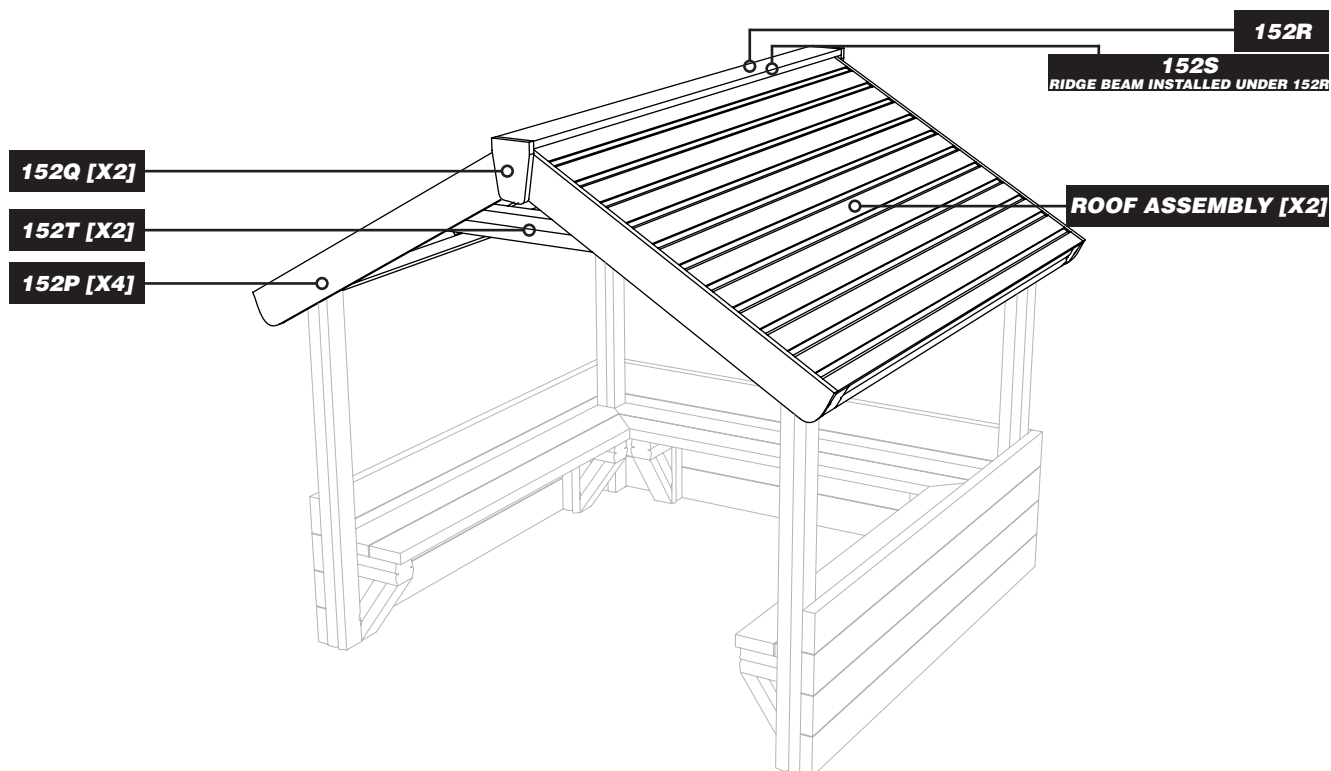


PARTS REQUIRED

MAIN BODY TIMBERS



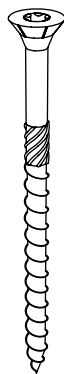
ROOF ASSEMBLY TIMBERS



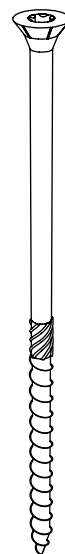
PARTS REQUIRED



M8X80 [X93]

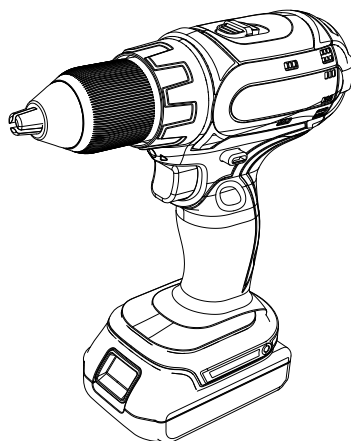
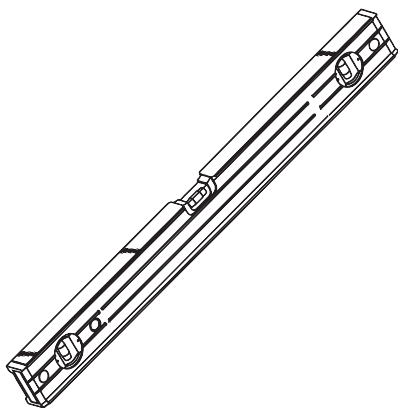


M8X120 [X22]

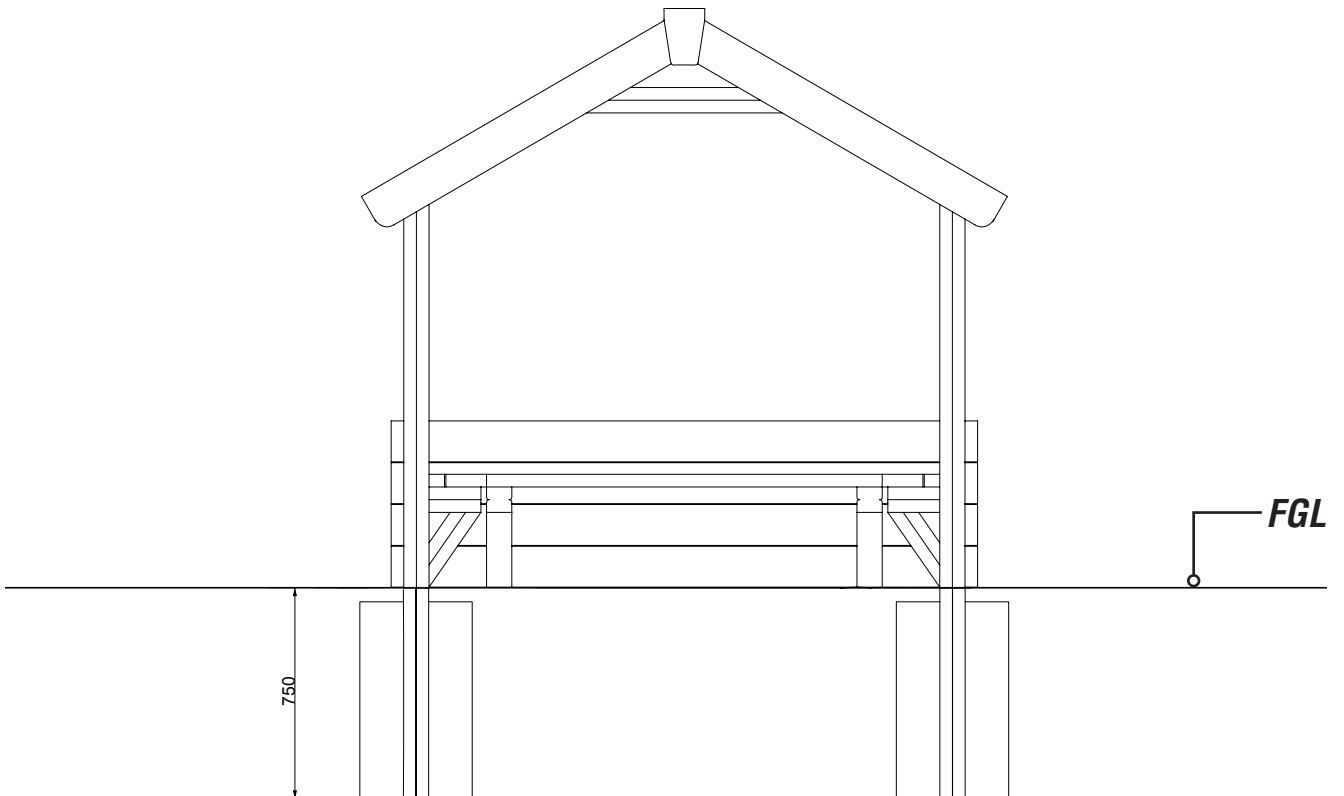
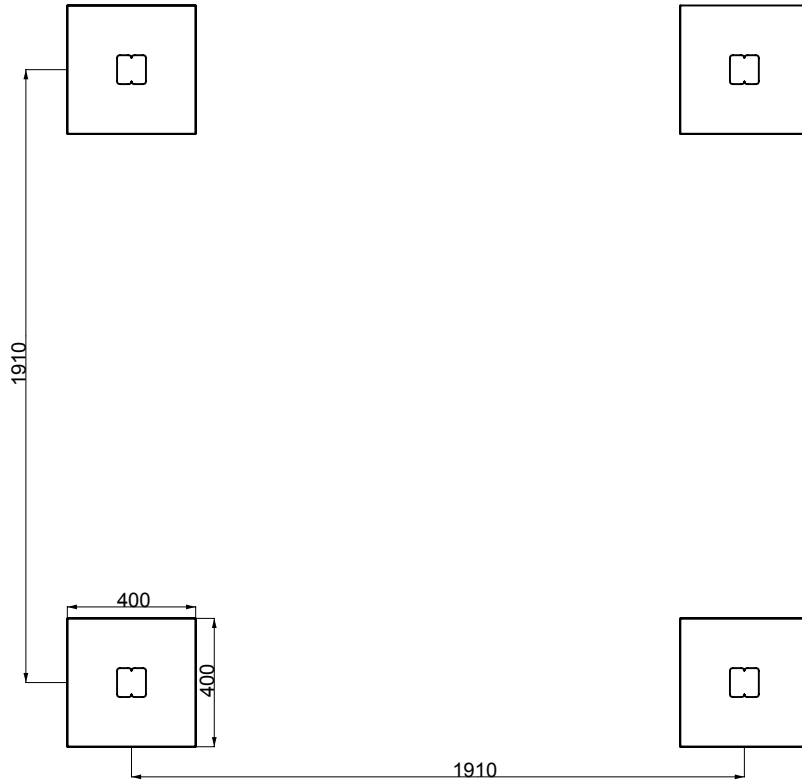


M8X180 [X22]

TOOLS REQUIRED

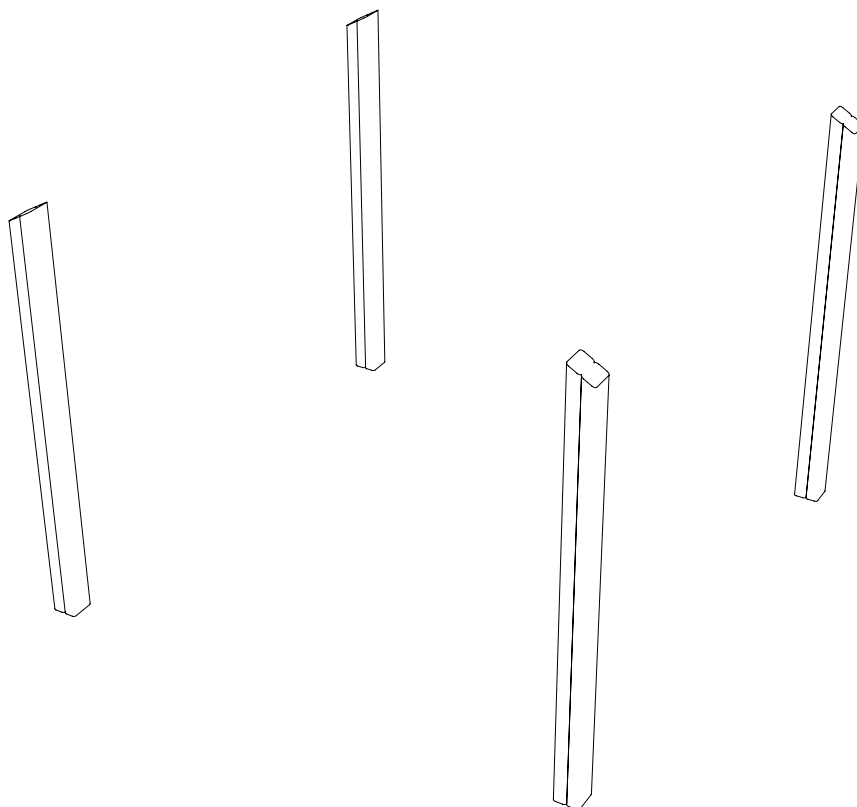


FOUNDATION DETAIL

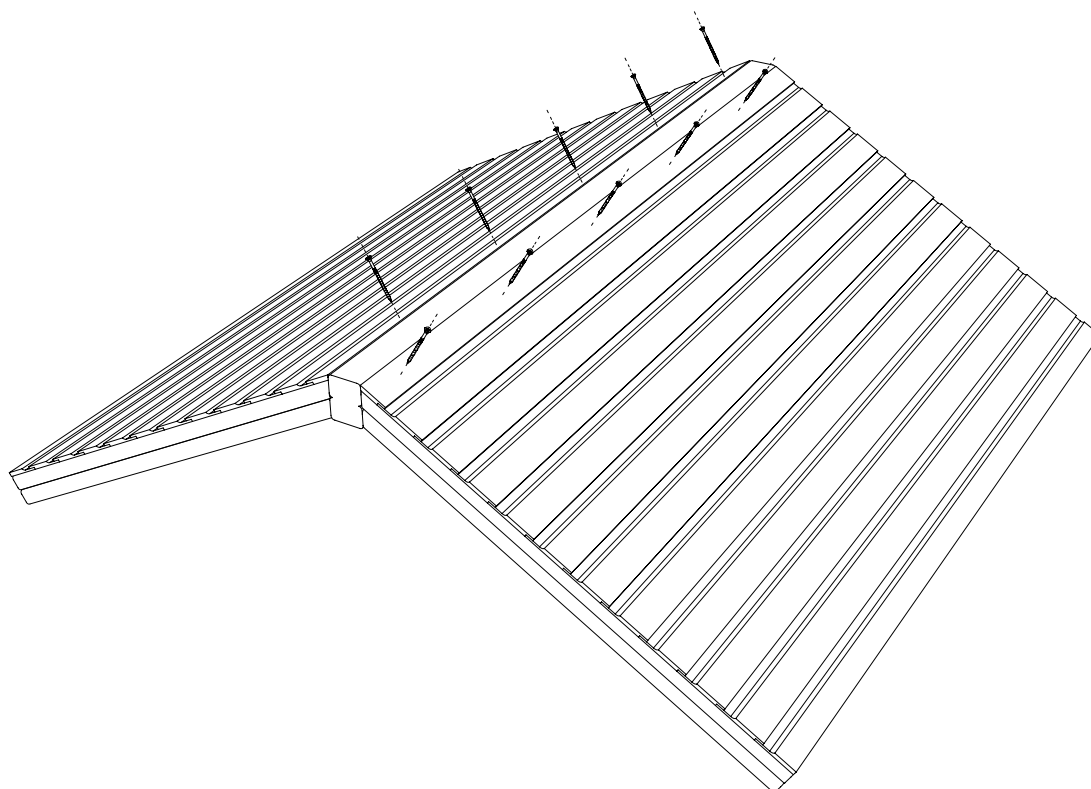


INSTALLATION INSTRUCTIONS

1 INSTALL 152A INTO THE GROUND



2 ATTACH ROOF ASSEMBLIES TO 152S USING M8X120 WOOD SCREW

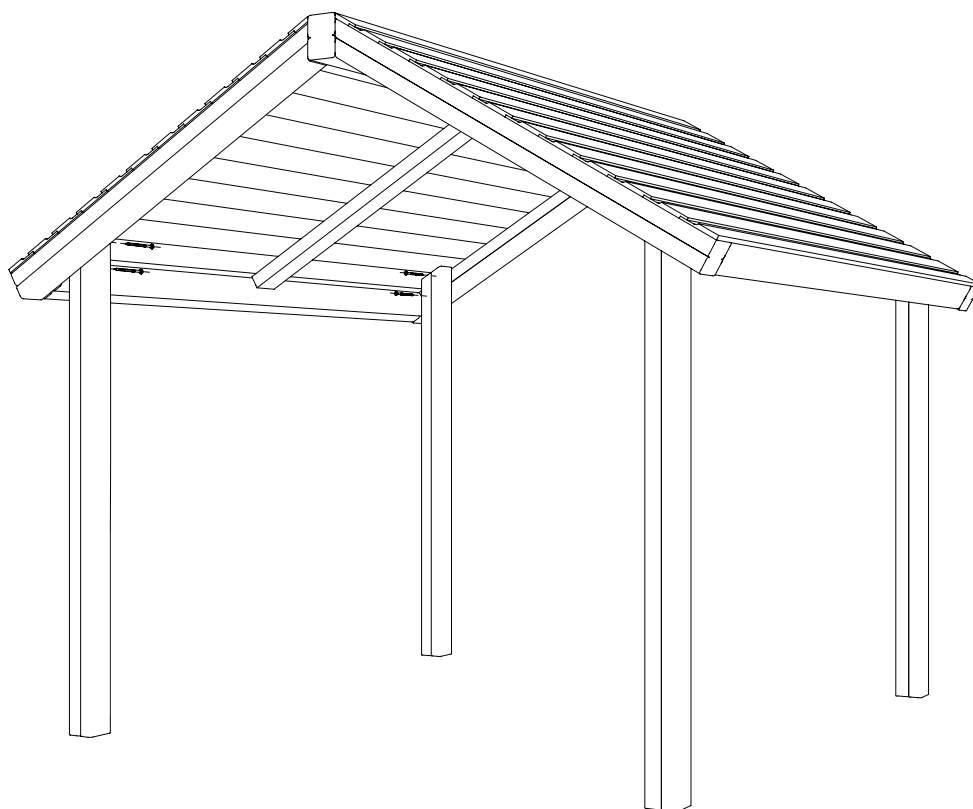


INSTALLATION INSTRUCTIONS

3

POSITION ROOF AND FIX TO UPRIGHTS

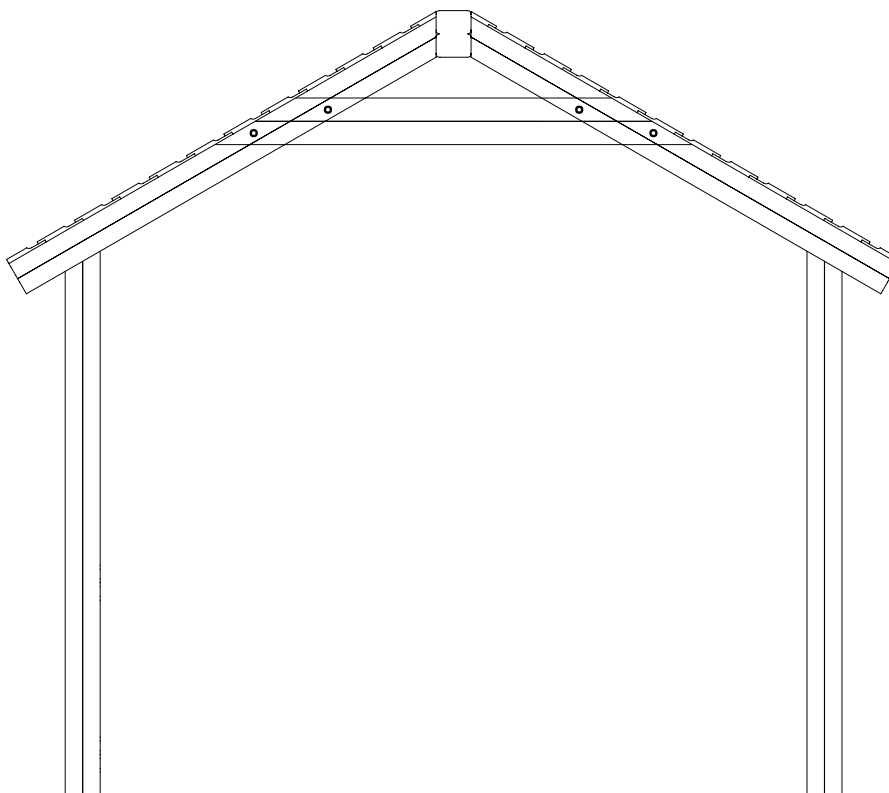
USING M8X180 WOOD SCREWS



4

ATTACH 152T TO THE ROOF ASSEMBLIES

USING M8X180 WOOD SCREWS FROM THE INSIDE

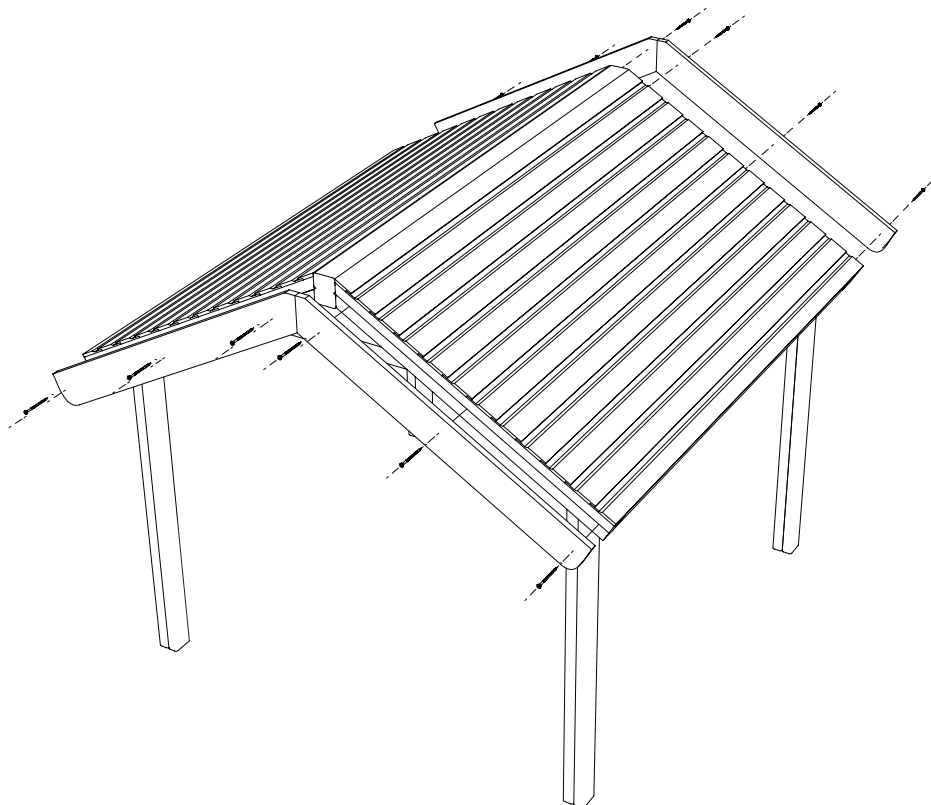


INSTALLATION INSTRUCTIONS

5

ATTACH 152P TO THE ROOF ASSEMBLY TIMBERS

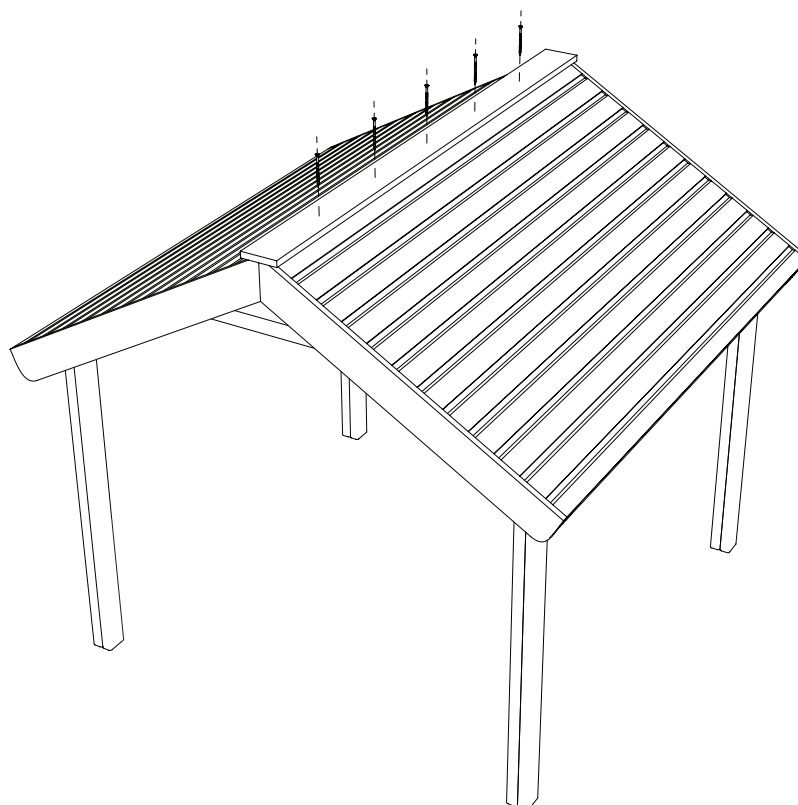
USING M8X80 WOOD SCREWS - ENSURE TUMBERS ARE FLUSH WITH TOP OF 152S



6

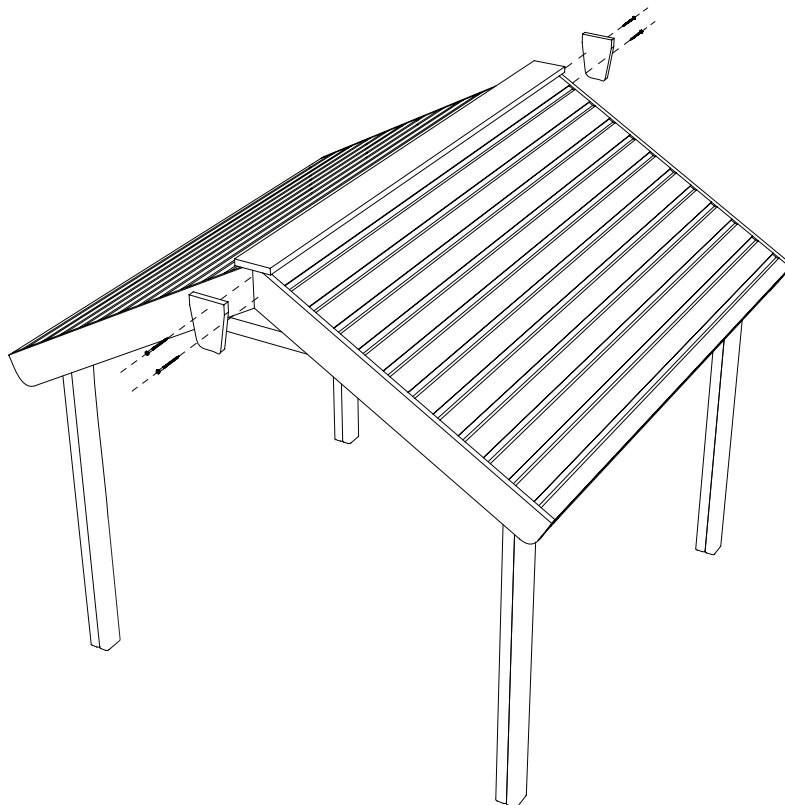
ATTACH 152R TO 152S

USING M8X80 WOOD SCREW

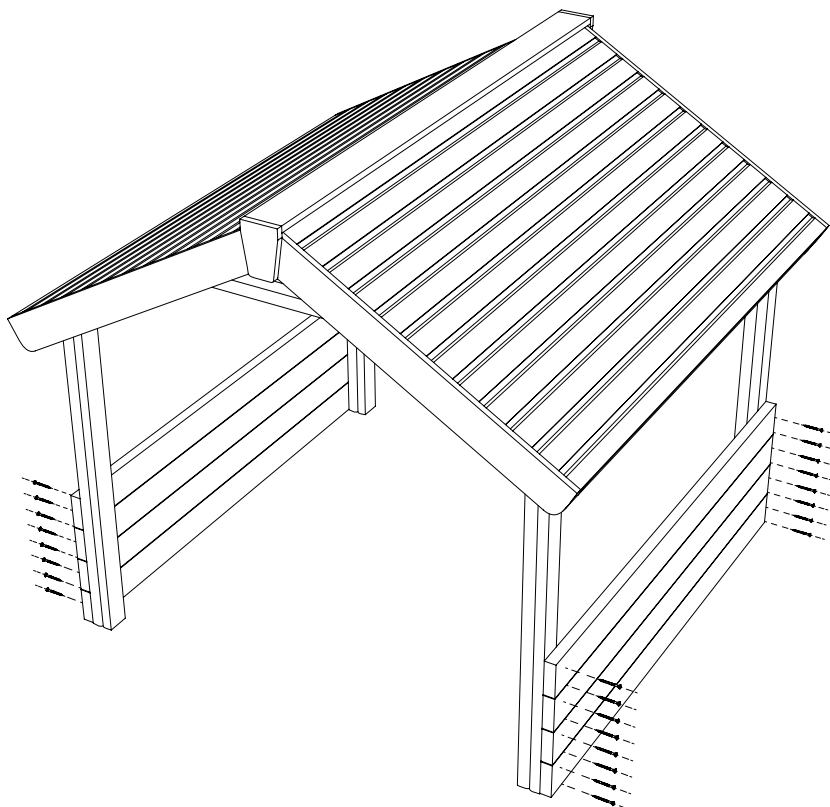


INSTALLATION INSTRUCTIONS

7 **ATTACH 152Q TO 152P**
USING M8X80 WOOD SCREWS



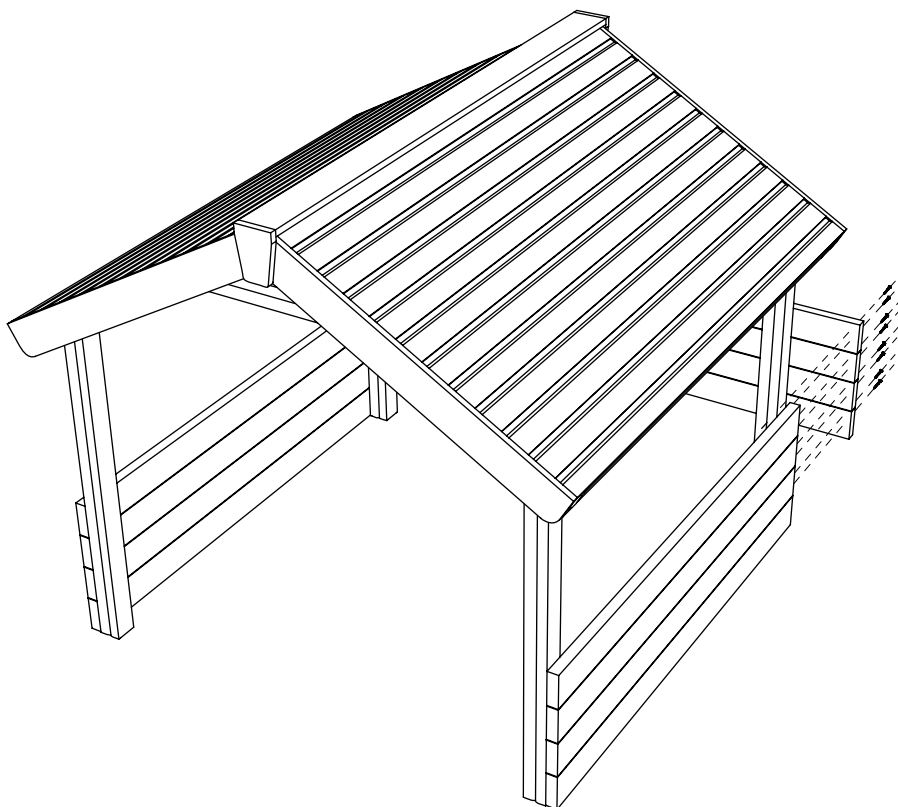
8 **ATTACH 152B TO 152A**
USING M8X80 WOOD SCREWS



INSTALLATION INSTRUCTIONS

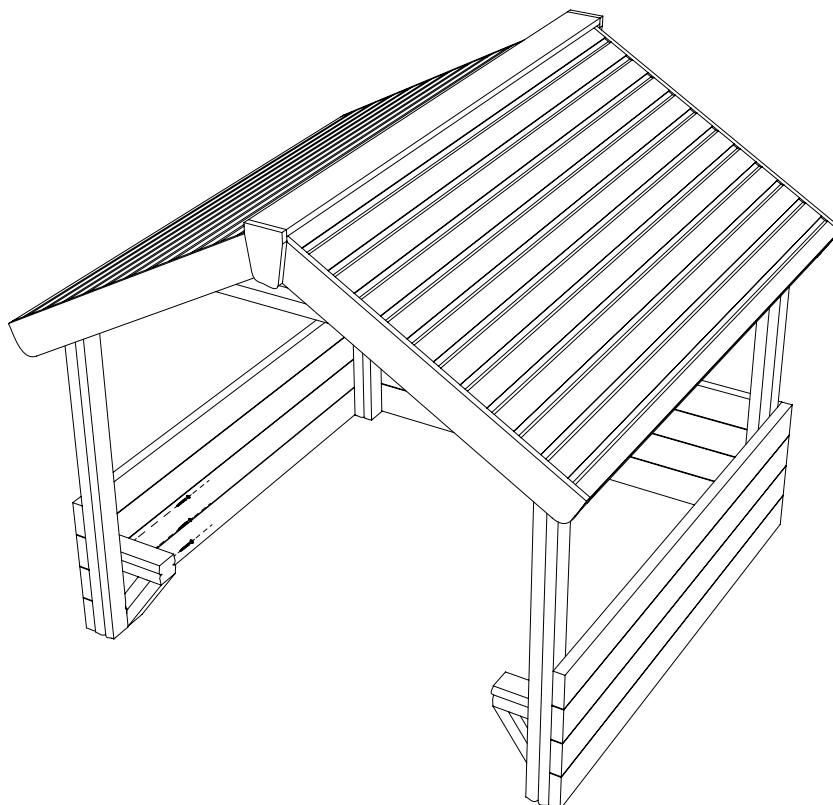
9

ATTACH 152C TO 152A
USING M8X80 WOOD SCREWS



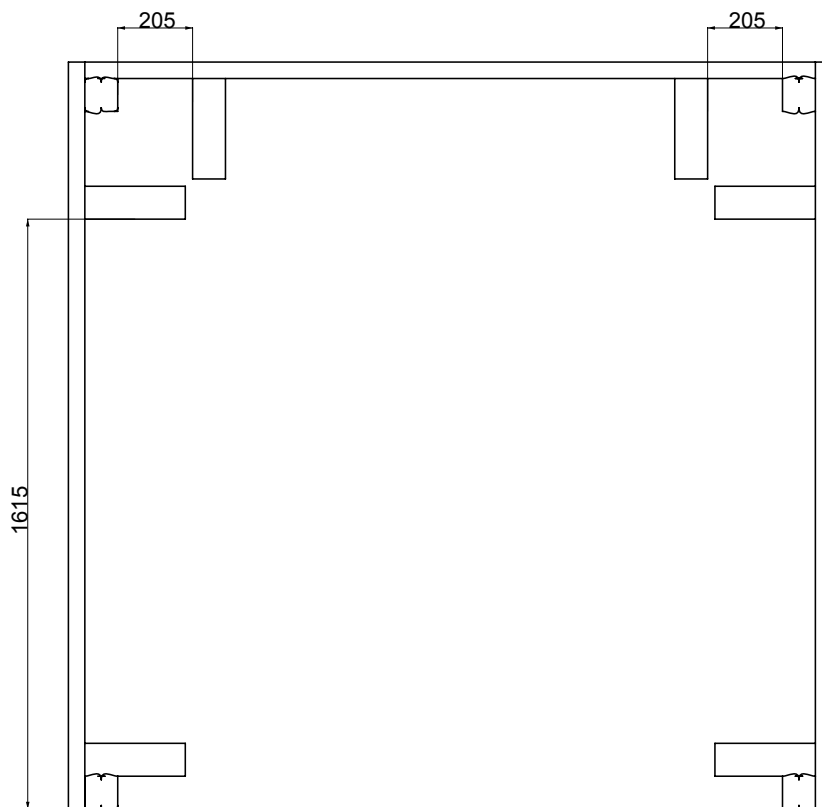
10

ATTACH 2X SEAT SUPPORT ASSEMBLYS TO 152A
USING M8X180 WOOD SCREWS

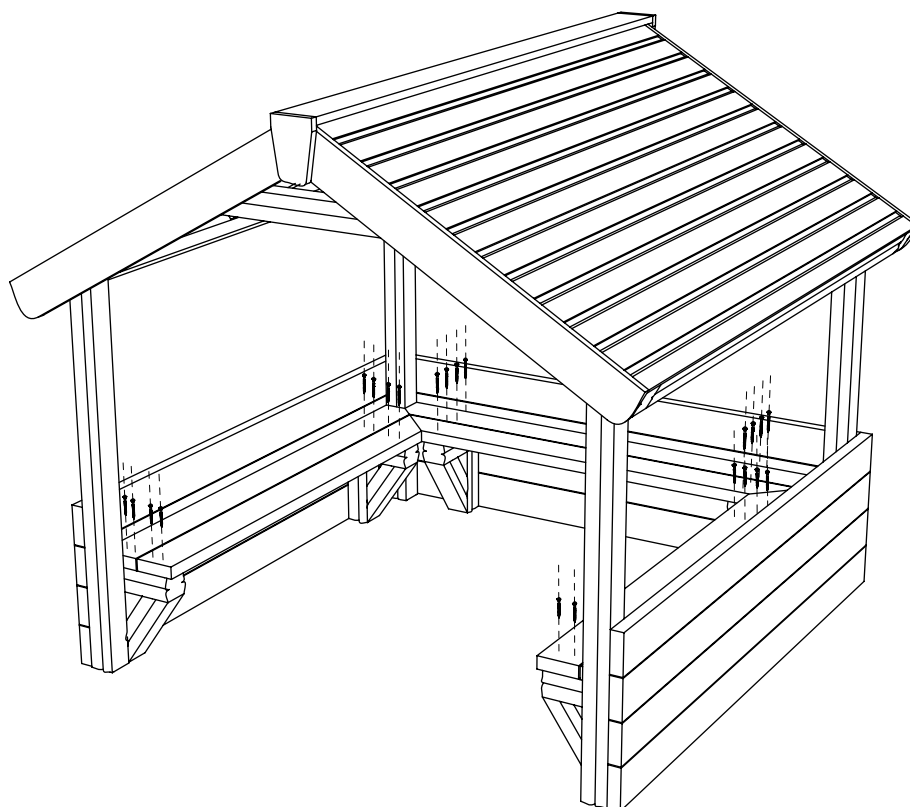


INSTALLATION INSTRUCTIONS

- 11** ATTACH THE REMAINING SEAT SUPPORT ASSEMBLYS TO 152B & 152C
USING M8X120 WOOD SCREWS - IN THE LOCATIONS SHOWN BELOW



- 12** ATTACH 152F, 152G, 152H & 152J TO SEAT SUPPORT ASSEMBLYS
USING M8X80 WOOD SCREWS



ADDITIONAL DIMENSIONS

