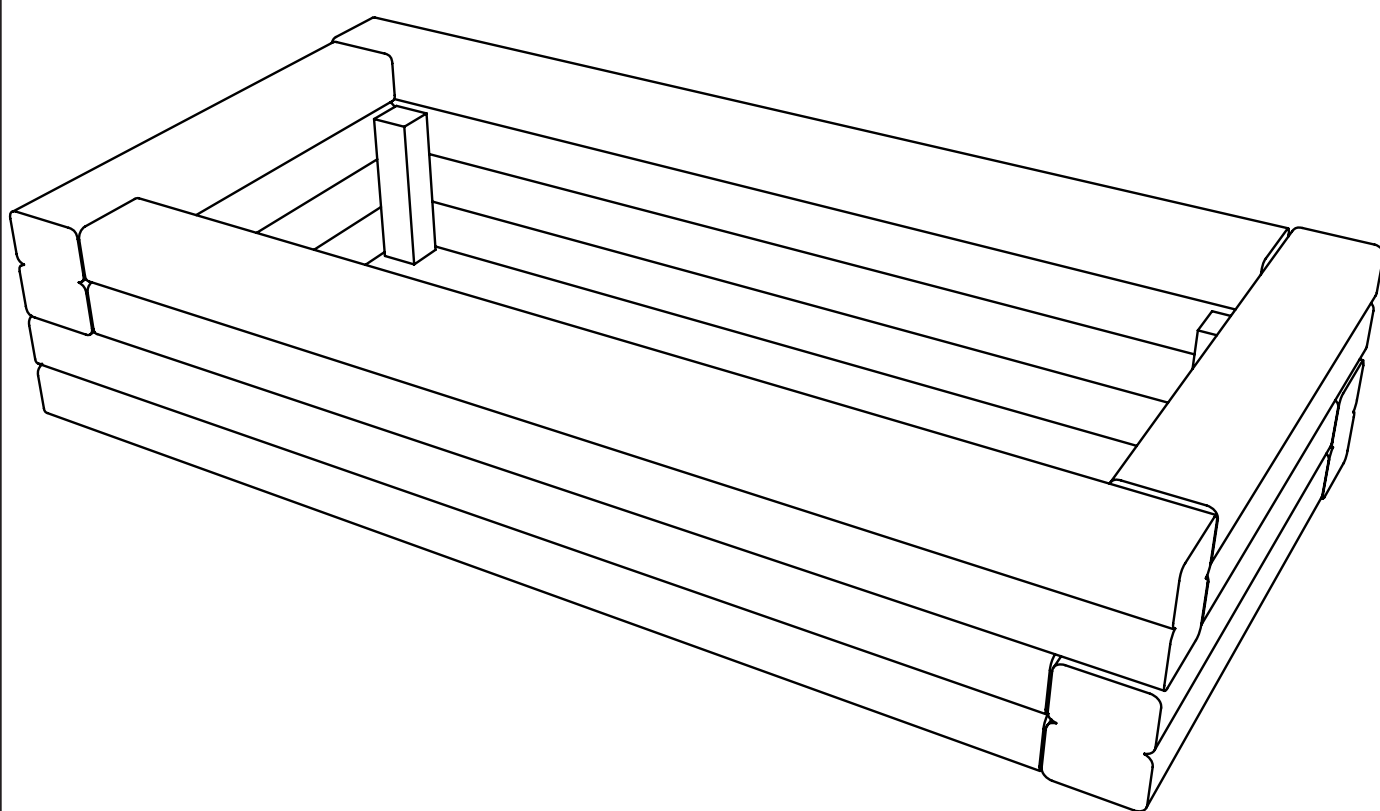


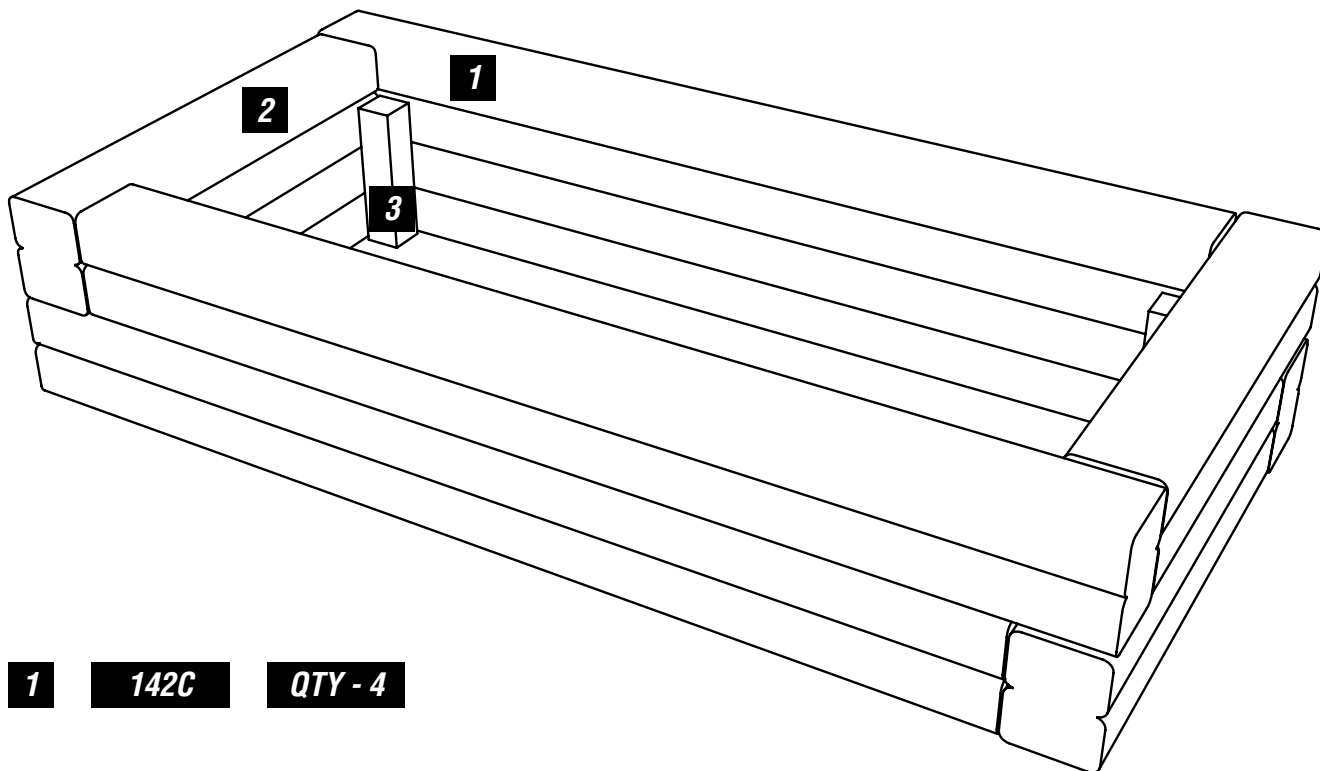
NUR142 - ONE-20 PLANTER

Installation Instructions

**creative
play**



PARTS REQUIRED

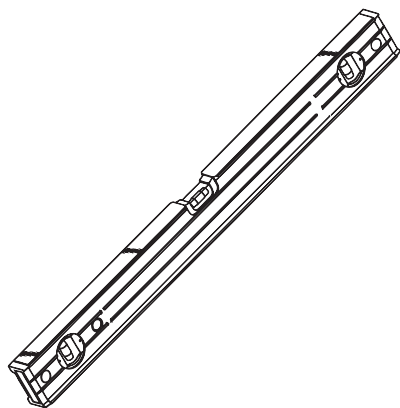


1 **142C** **QTY - 4**

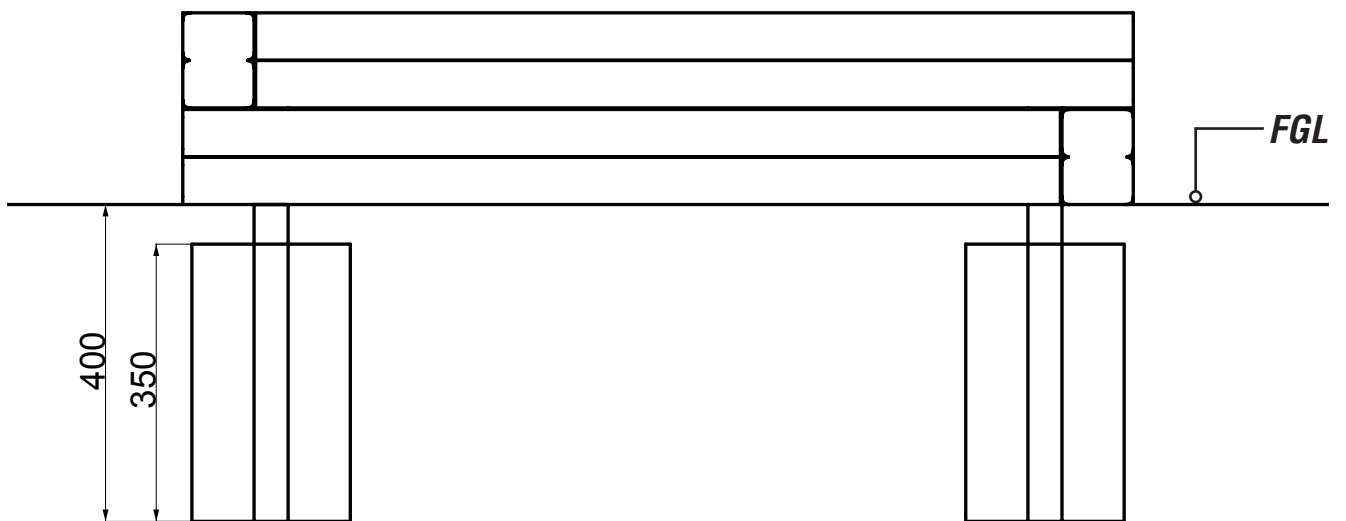
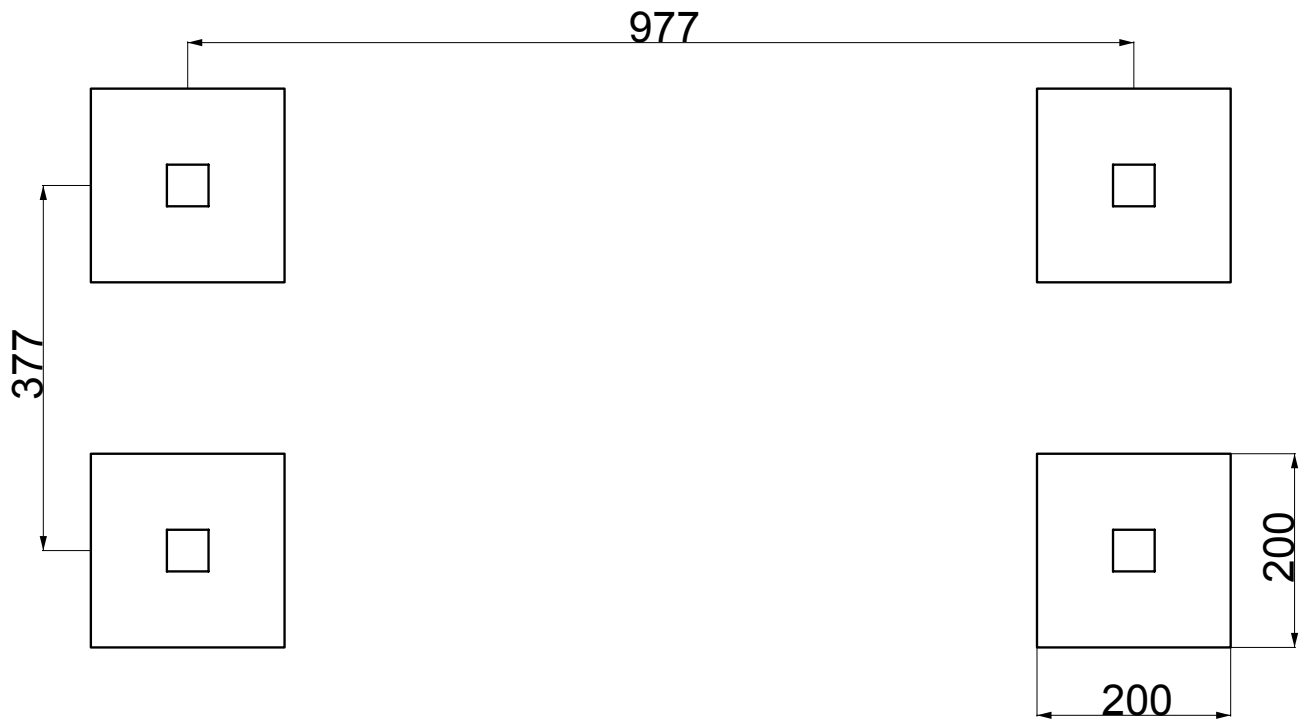
2 **142C** **QTY - 4**

3 **142C** **QTY - 4**

TOOLS REQUIRED



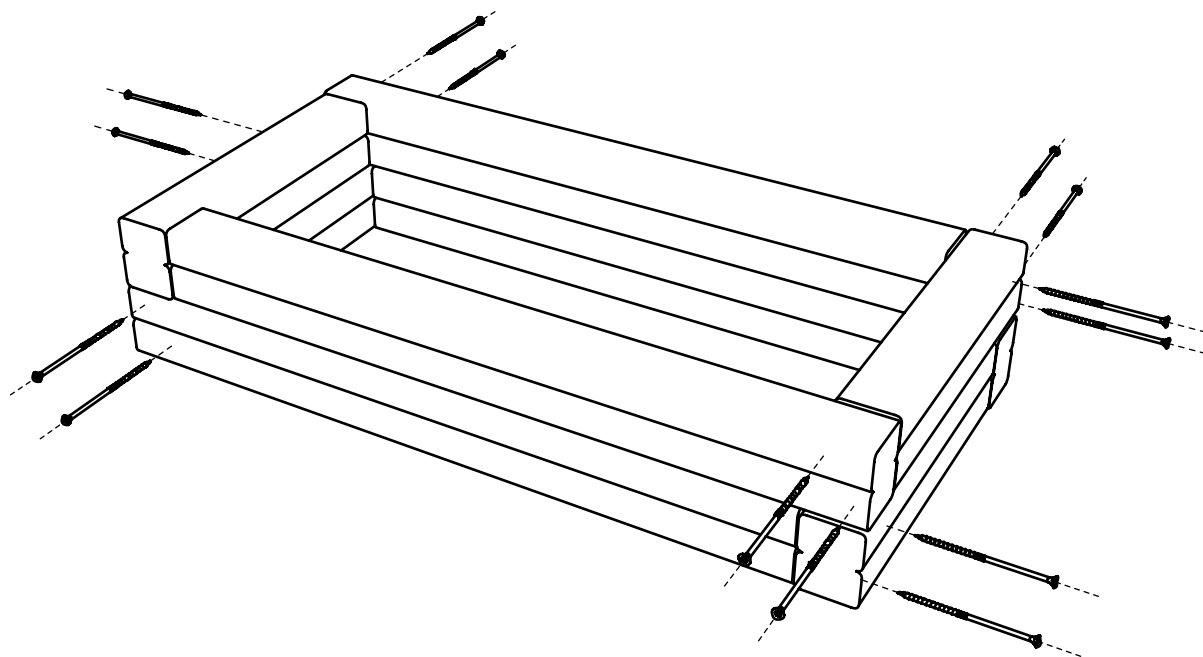
FOUNDATION DETAIL



INSTALLATION INSTRUCTIONS

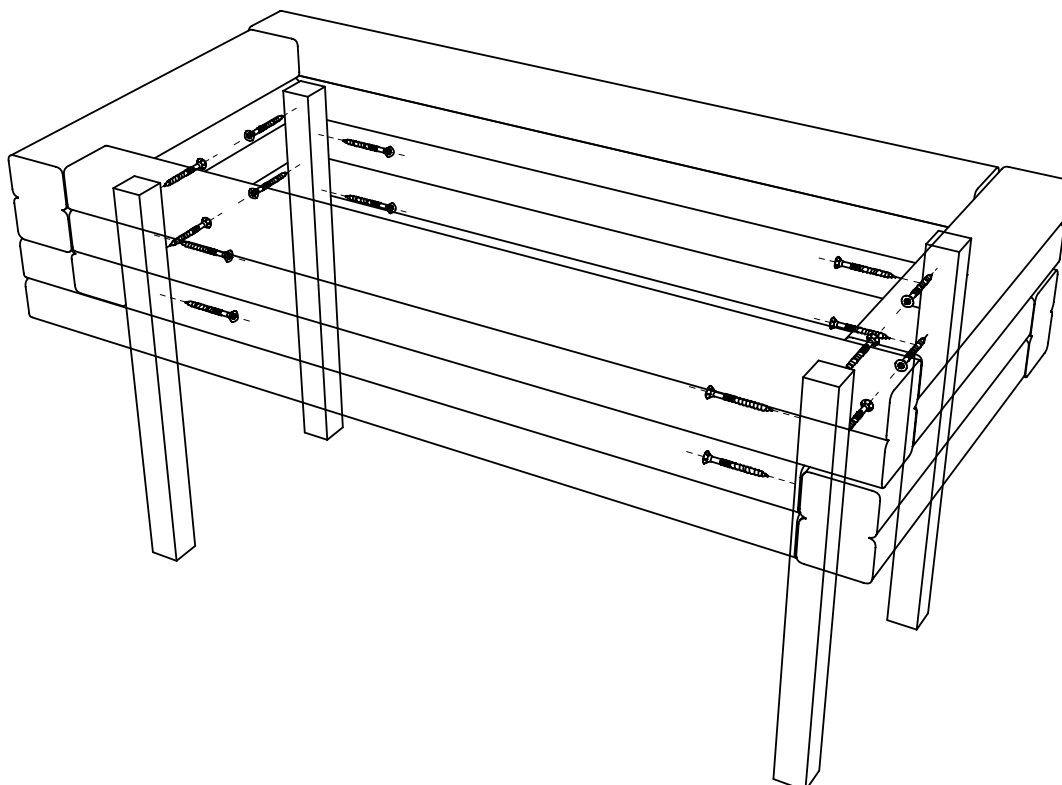
1

**FIX 142A & 142B TIMBERS TOGETHER
USING M8X180 SCREWS**



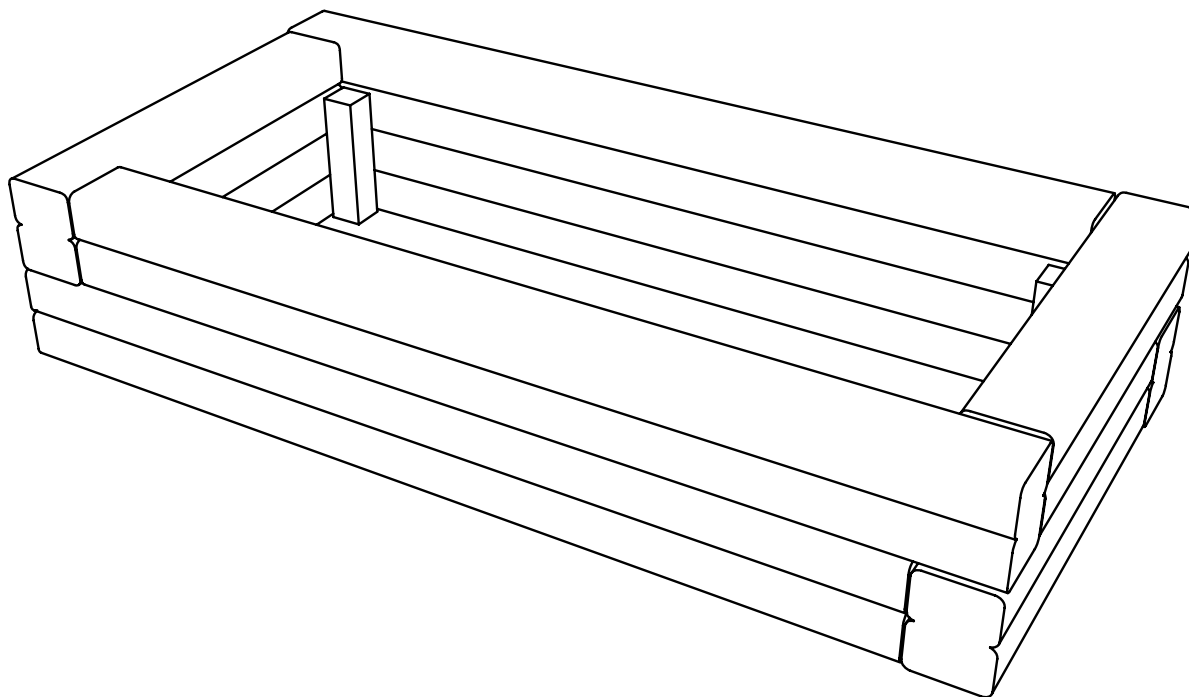
2

**FIX 142C IN EACH CORNER OF PLANTER - 40MM BELOW TOP EDGE
USING M8X80 SCREWS**



INSTALLATION INSTRUCTIONS

3 *INSTALL NUR142 INTO THE GROUND*



ADDITIONAL DIMENSIONS

