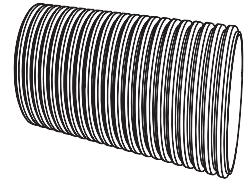
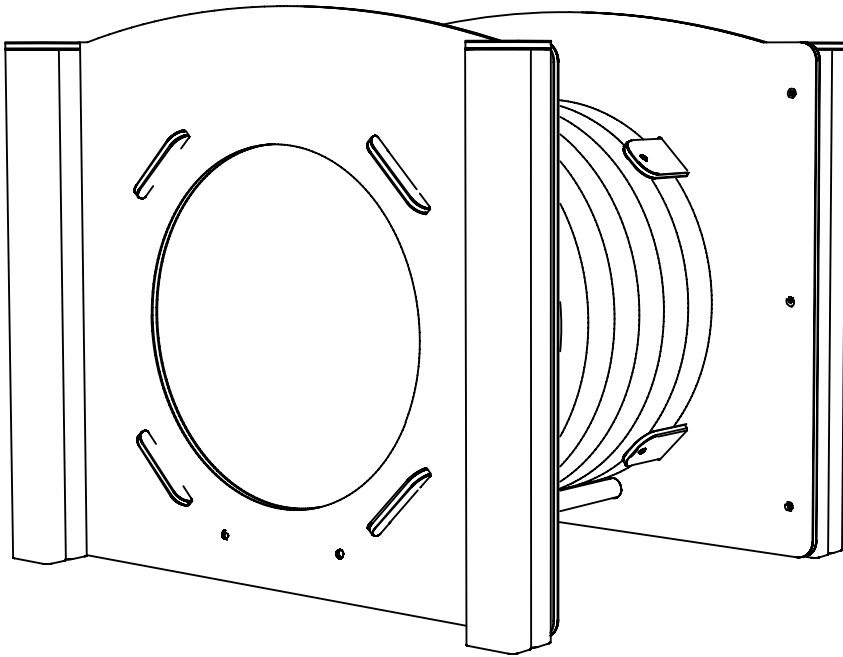


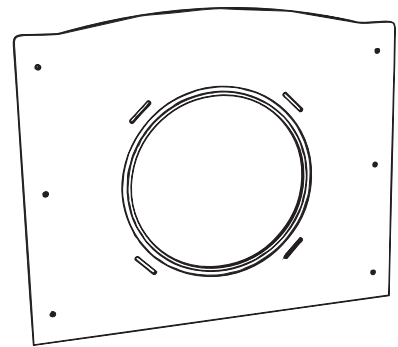
NUR127 - CRAWLING TUNNEL

Installation Instructions



x1

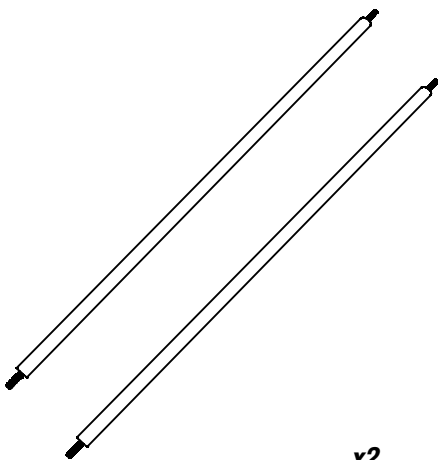
TUBE X700MM



x2

PLAYTEC PLATE

NUR127 - CRAWLING TUNNEL



x2

700MM GALV TUBE X2

750MM THREADED BARS X2



x8

PLAYTEC TABS



x4

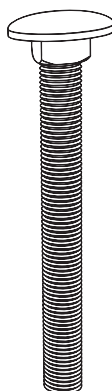
TIMBER UPRIGHTS

ADDITIONAL PARTS



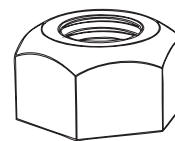
x12

M8 X 80 WOOD SCREWS



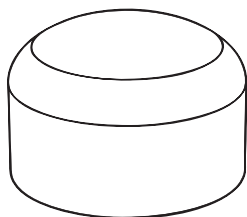
x8

M12X100 CUP SQUARE BOLTS



X12

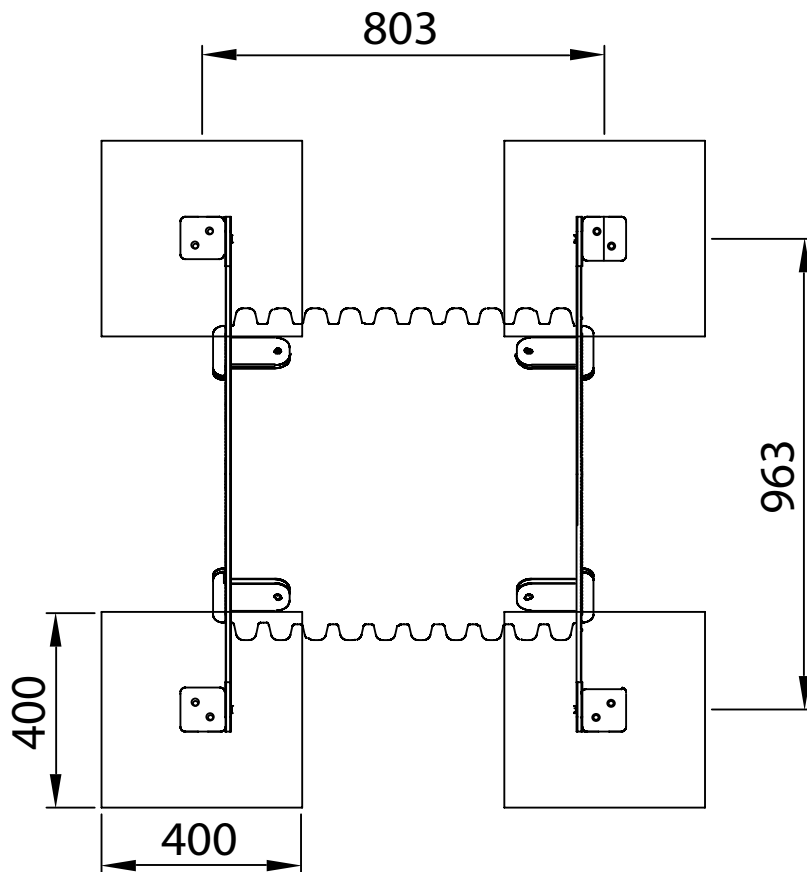
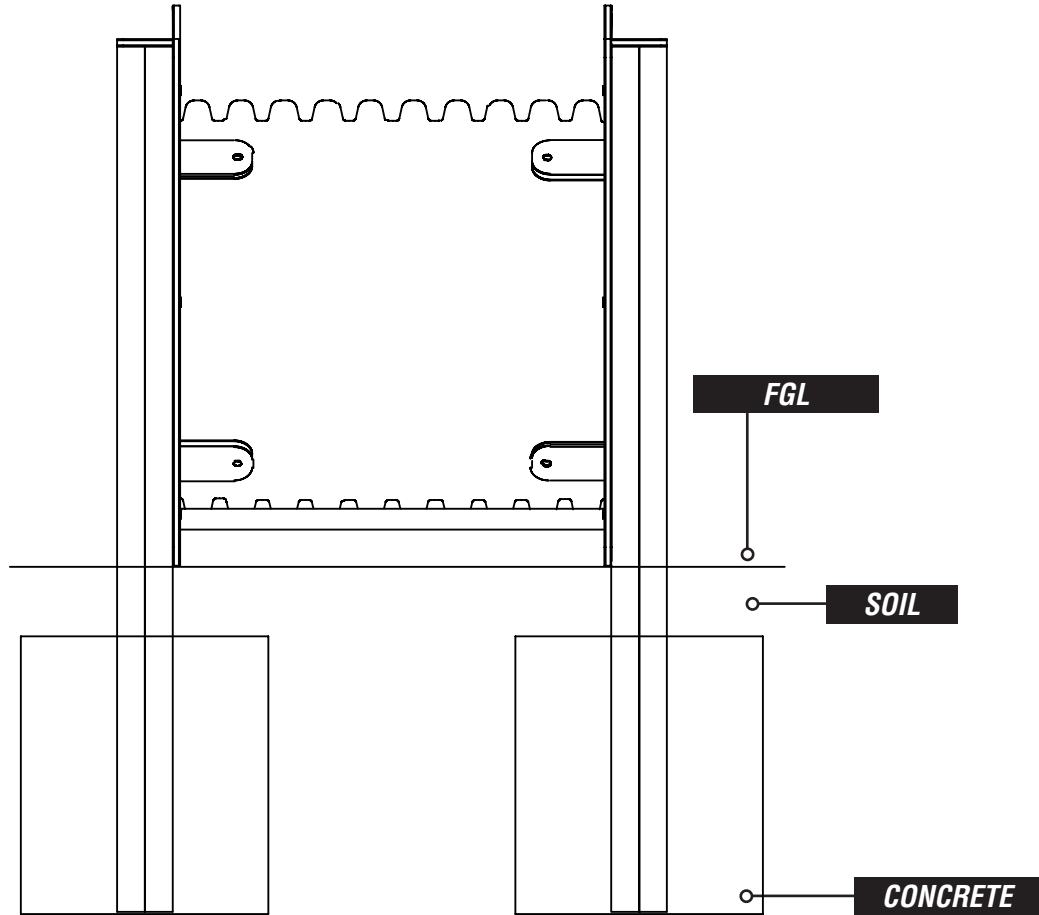
N12 (NYLOC)



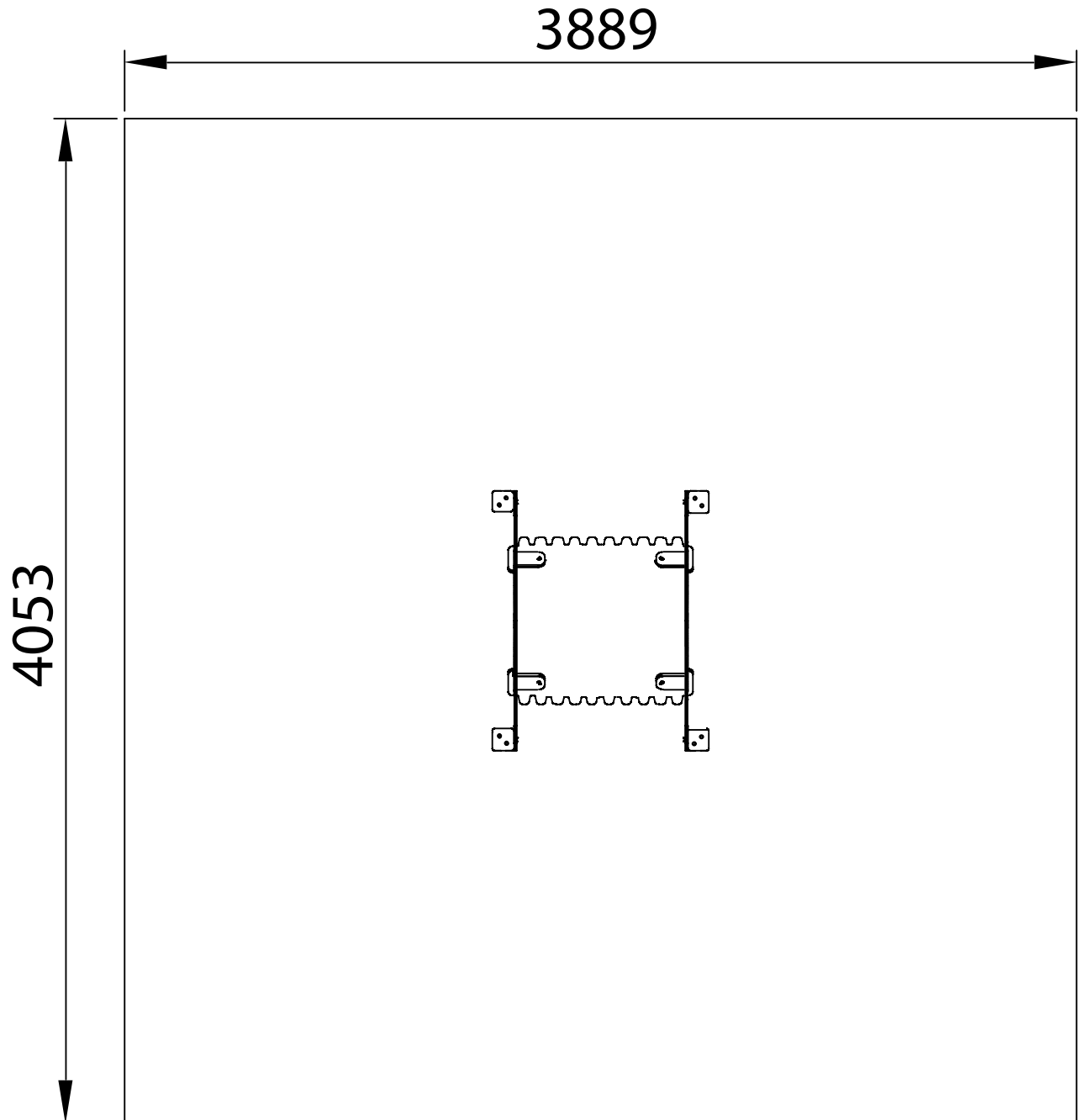
x12

M12 COVERED END CAP

FOUNDATION DETAILS



SURFACING DETAILS

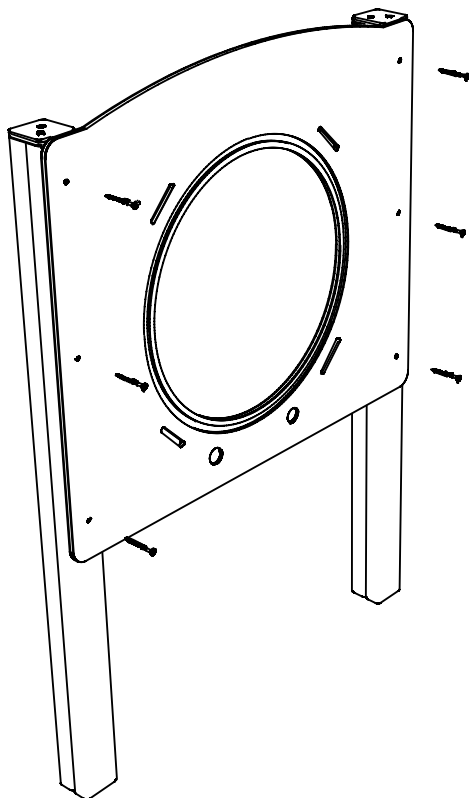


INSTALLATION INSTRUCTIONS

1

CONNECT THE PLAYTEC TO THE TIMBER UPRIGHTS

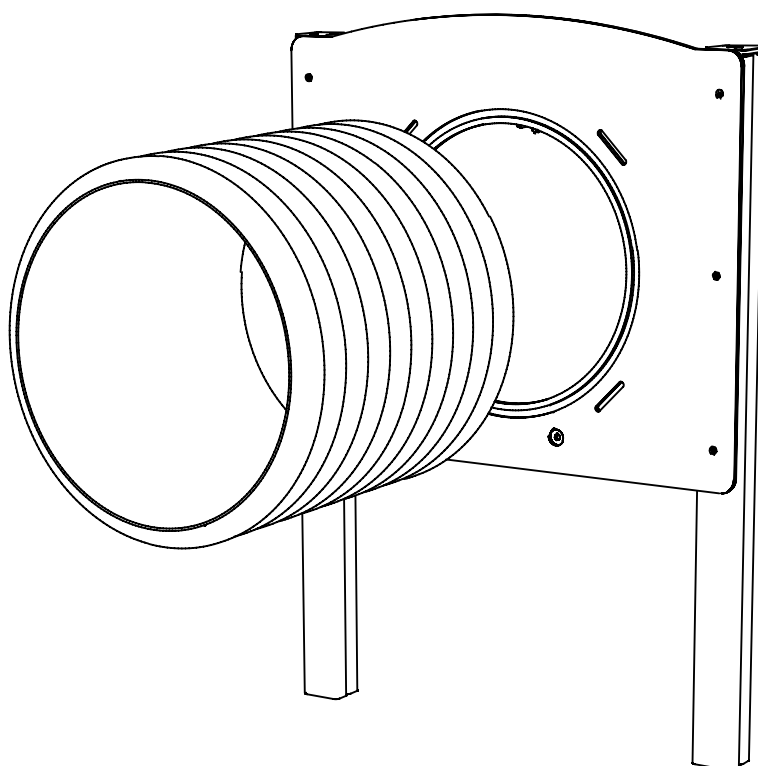
USING BRASS SCREWS X6



2

SLIDE THE TUBE INTO THE RECESS IN THE PLAYTEC

USING 600MM MULTIPipe WALL

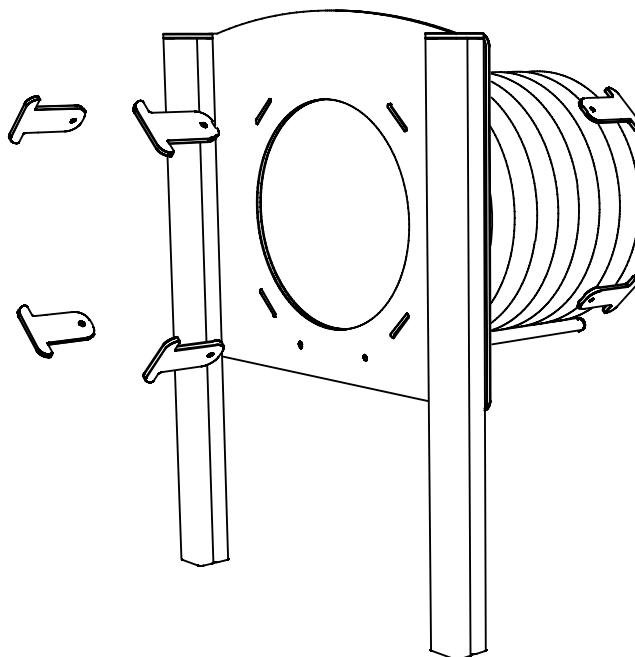


INSTALLATION INSTRUCTIONS

3

INSERT THE PLAYTEC TABS THROUGH THE PLAYTEC

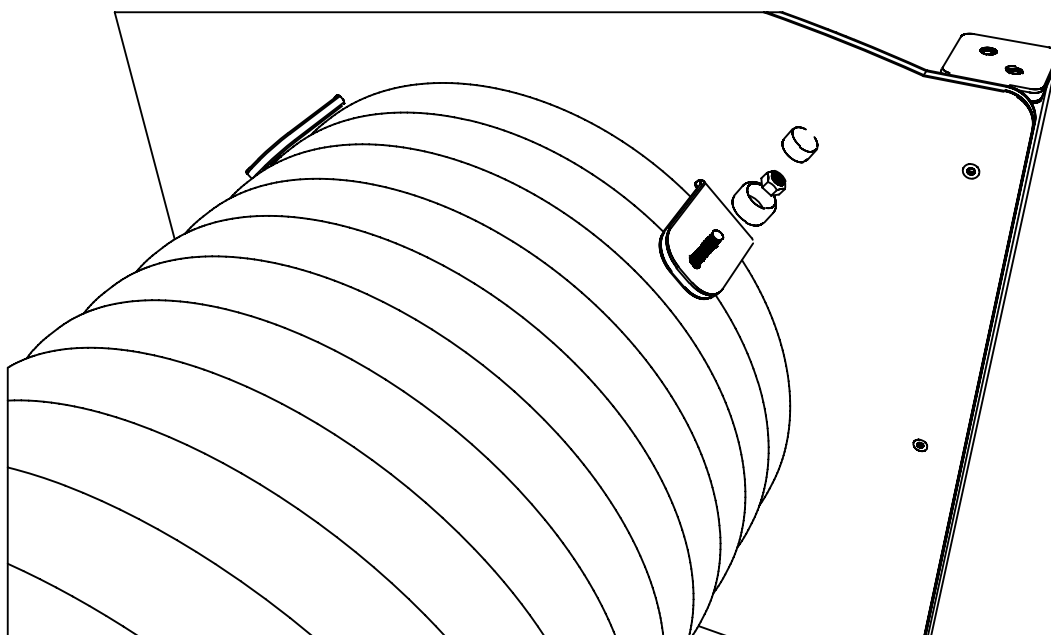
USING PLAYTEC TABS X4



4

ONCE POSITIONED USE THE TABS AS A GUIDE TO DRILL A HOLE AND CONNECT

USING CUP SQUARE BOLT X4 / NYLOC X4 / ENDCAP X4

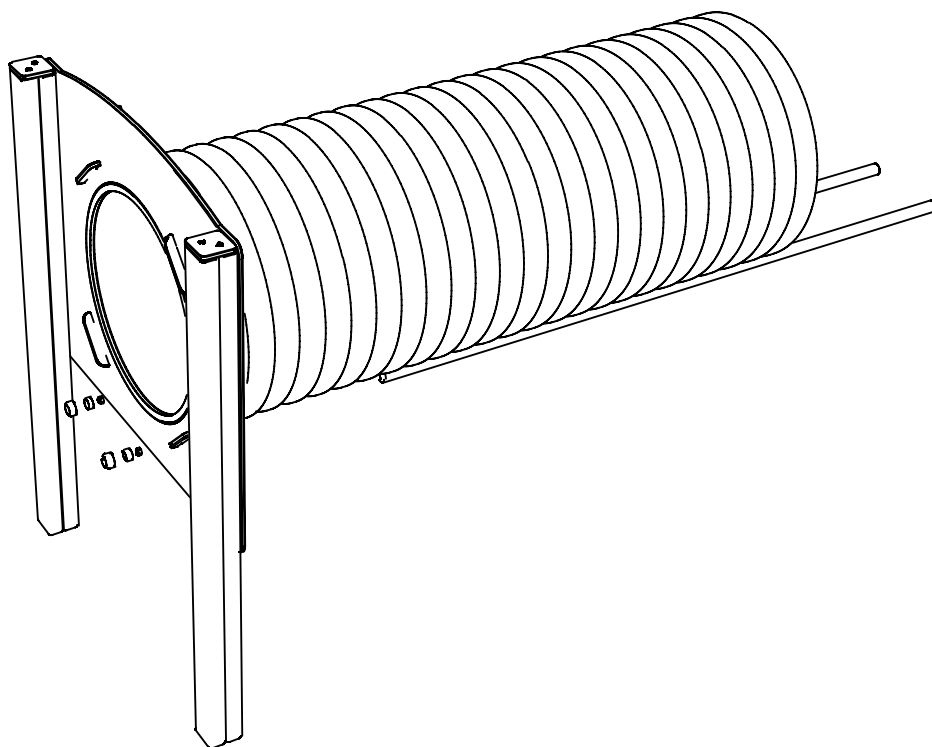


INSTALLATION INSTRUCTIONS

5

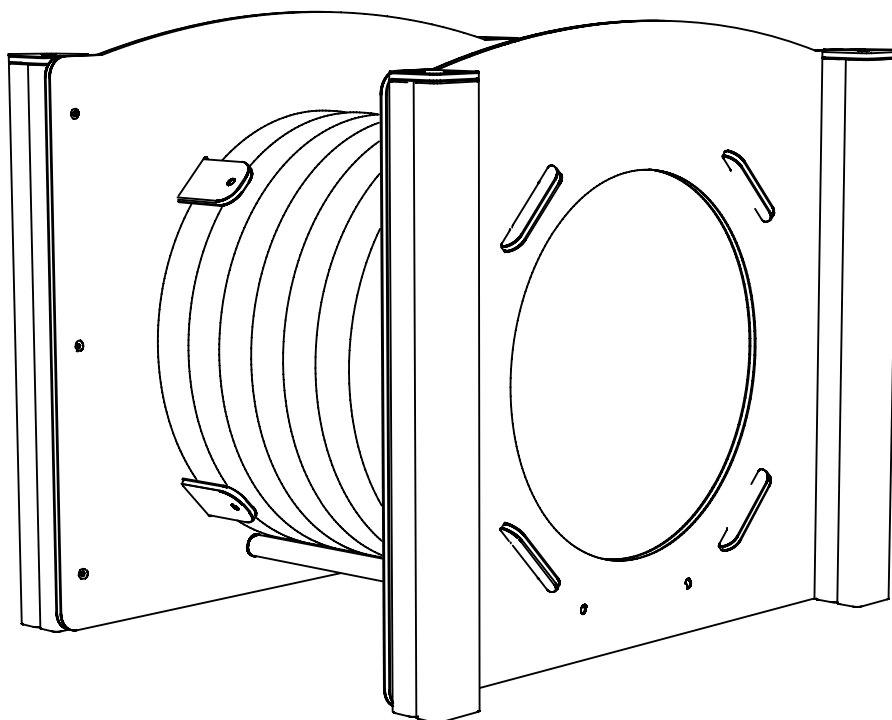
CONNECT THE METAL TUBE AND THREAD TO THE PLAYTEC

USING 1815MM BAR THREAD X2 / NYLOC X2 / ENDCAPS X2



6

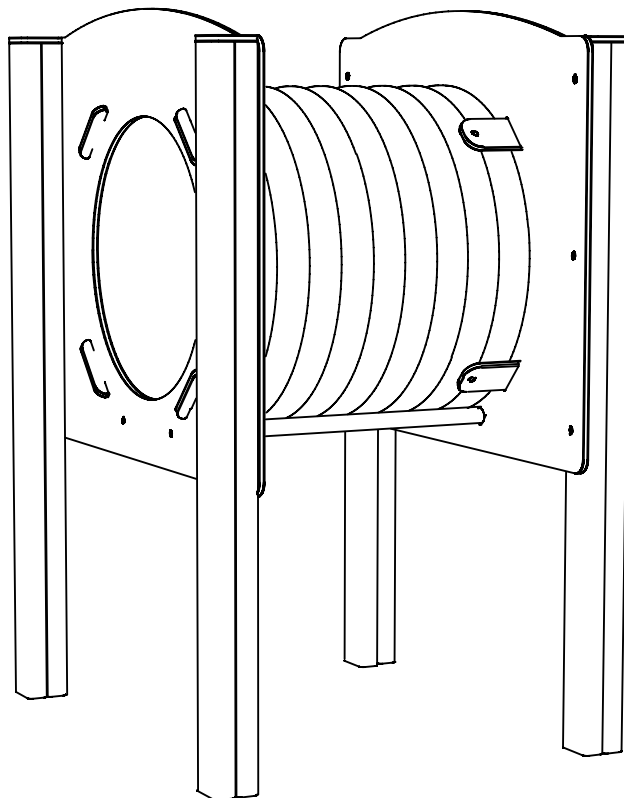
REPEAT STEPS 1-5 FOR OPPOSITE SIDE



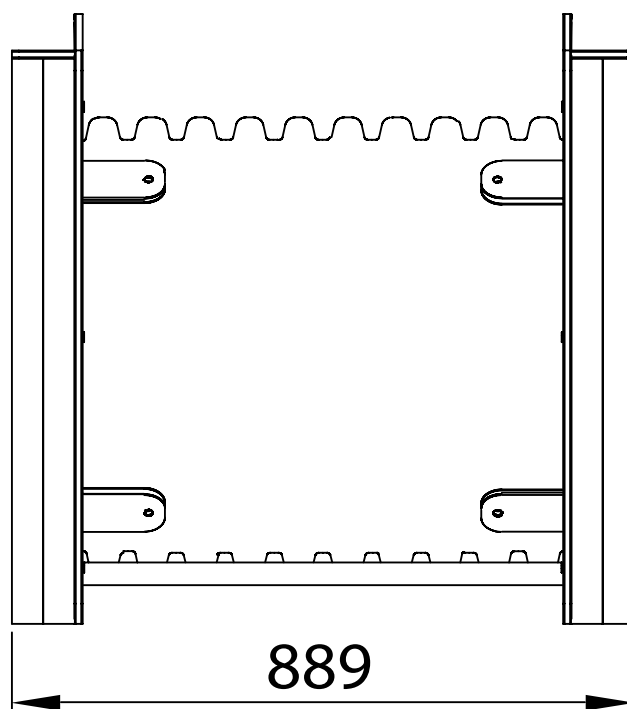
INSTALLATION INSTRUCTIONS

6

INSTALL UPRIGHTS INTO THE GROUND



ENSURE THE 'ENDS' SIT FLAT ON THE GROUND.



ADDITIONAL DIMENSIONS

