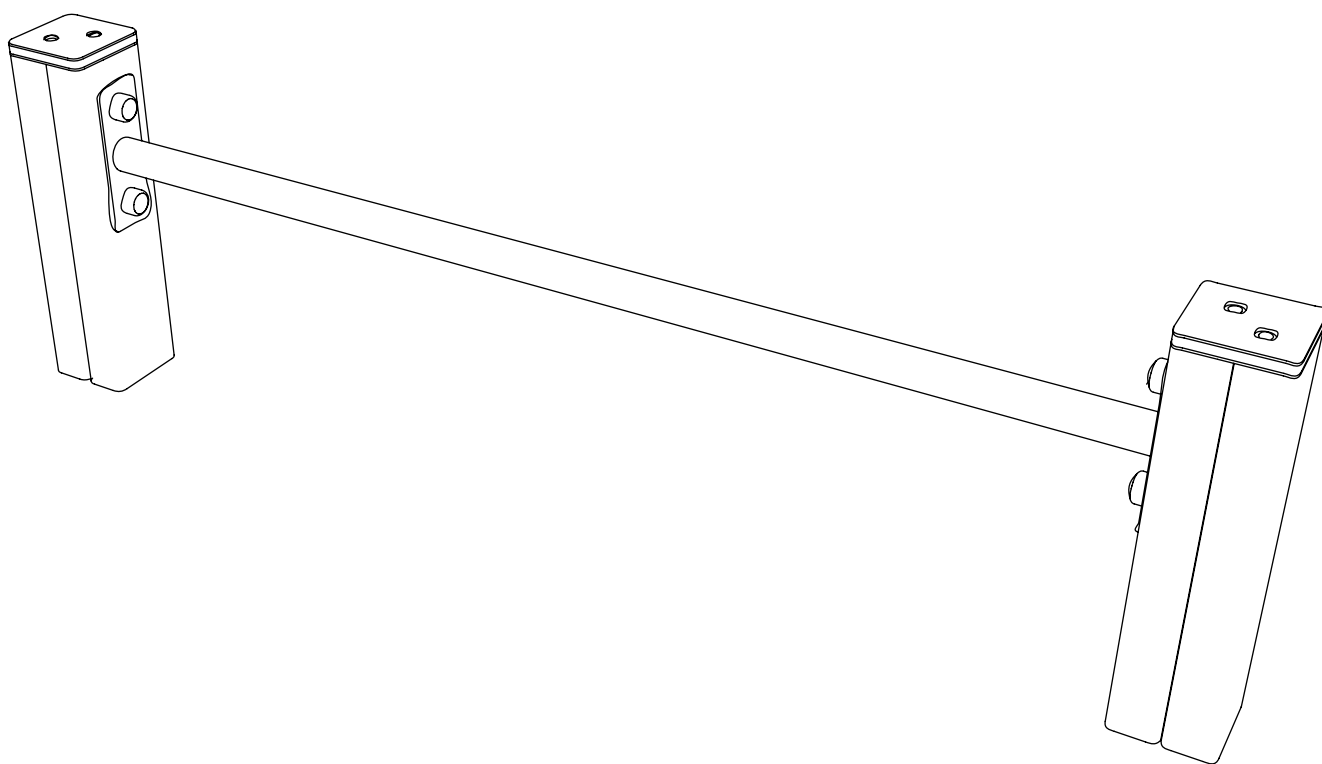


# **NUR124 - BALANCE BAR**

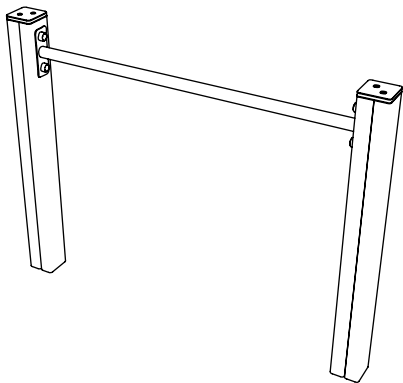
## ***Installation Instructions***

**creative  
play**



# ***PARTS REQUIRED***

---

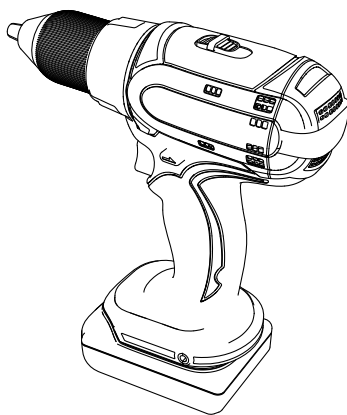
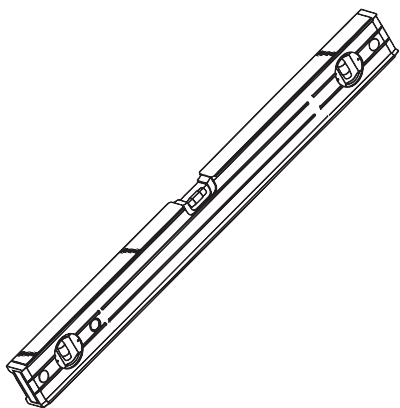


x 1 Bar

***BALANCE BAR***

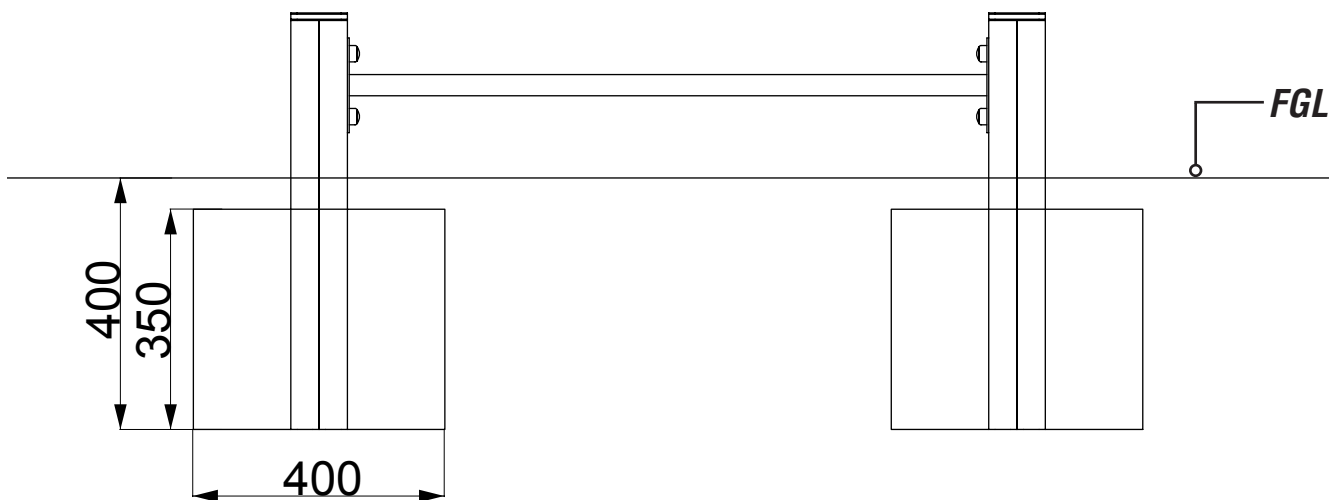
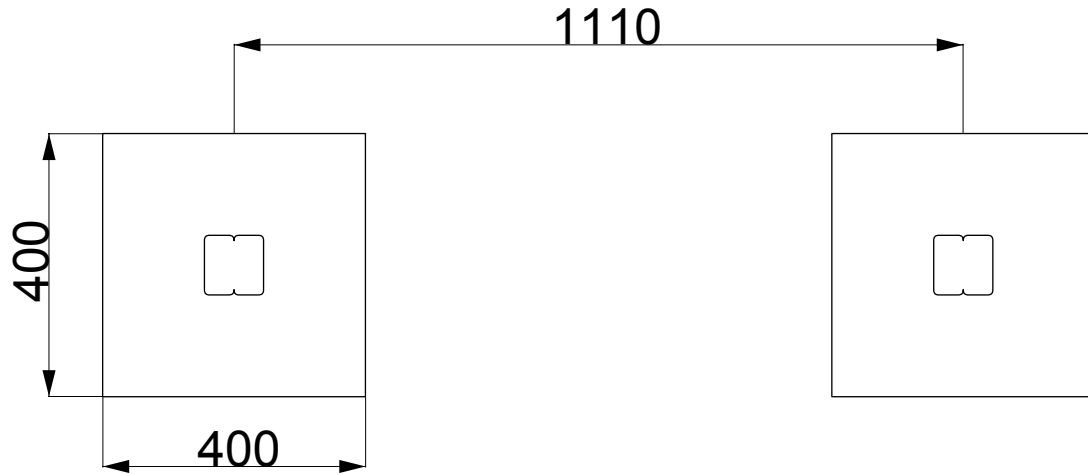
# ***TOOLS REQUIRED***

---



# FOUNDATION DETAIL

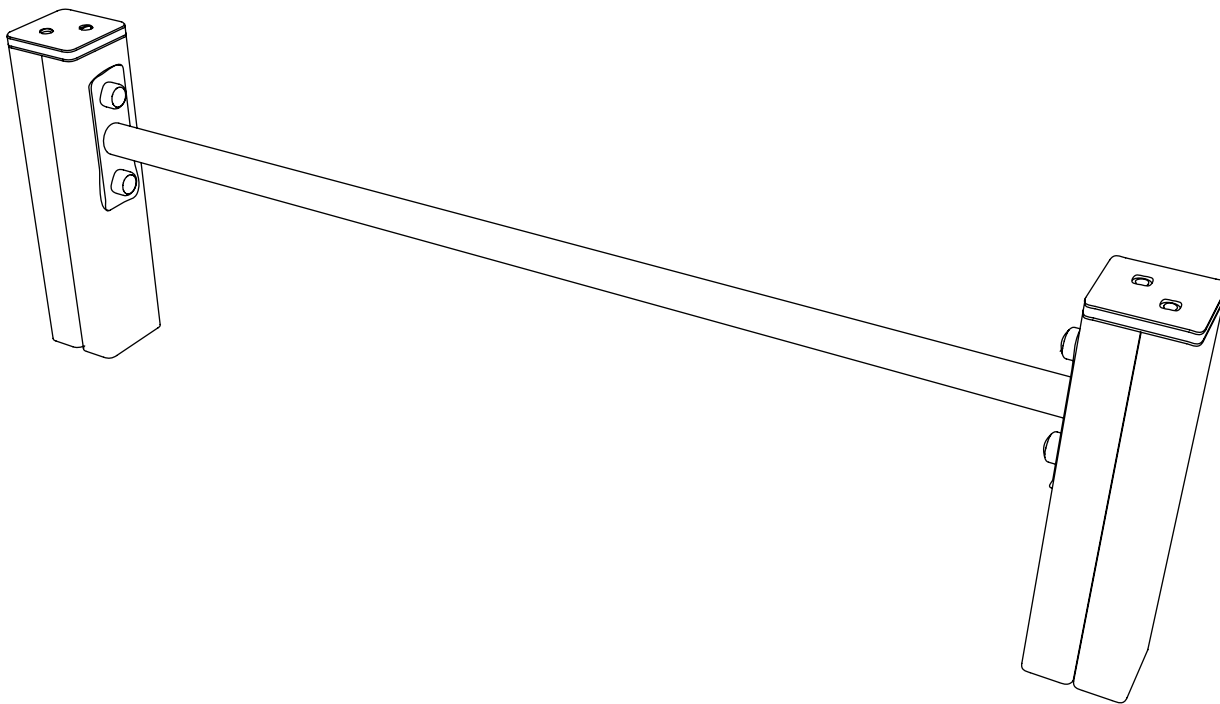
---



# INSTALLATION INSTRUCTIONS

---

## **1** INSTALL NUR124 INTO THE GROUND



# ***ADDITIONAL DIMENSIONS***

---

