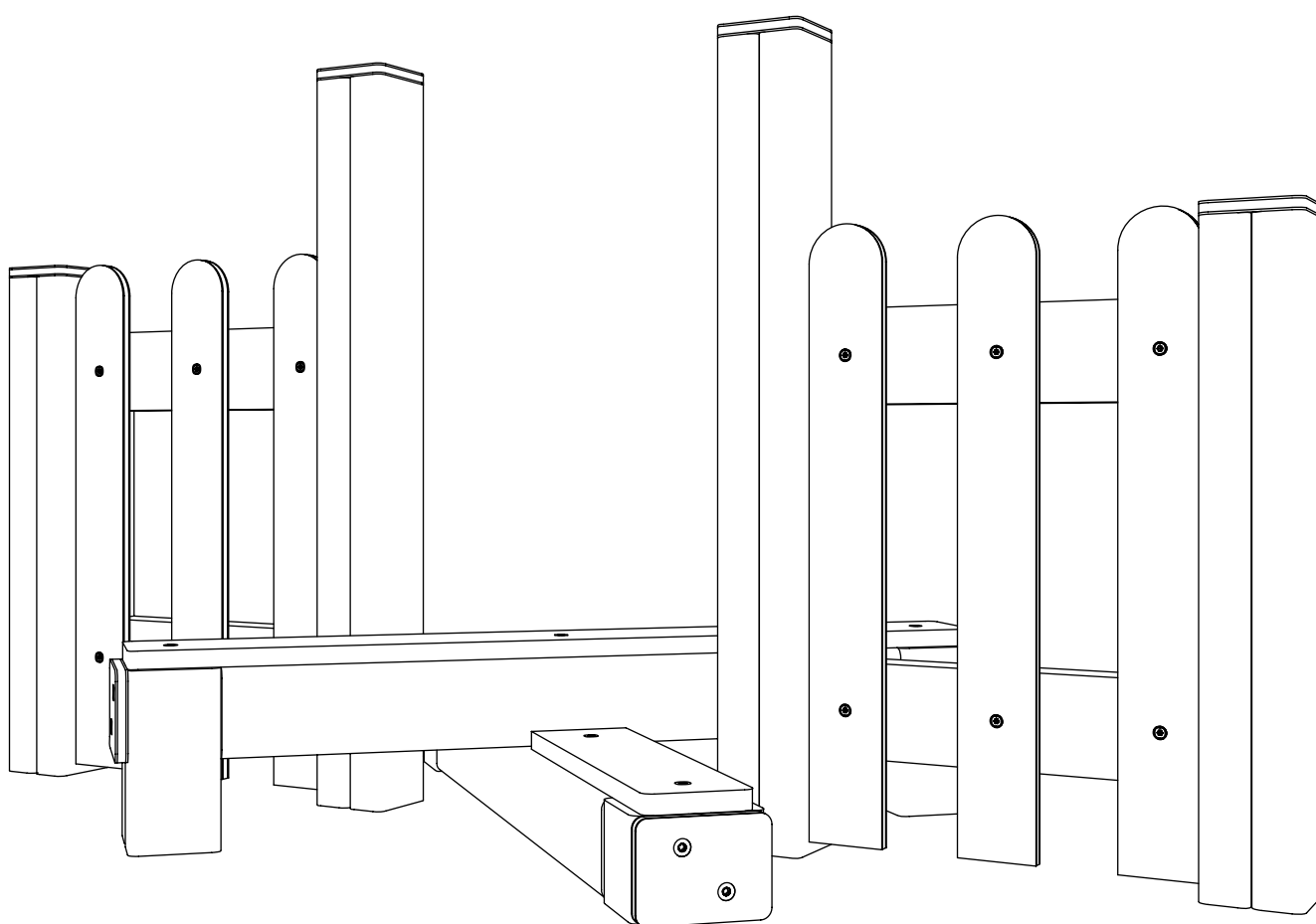


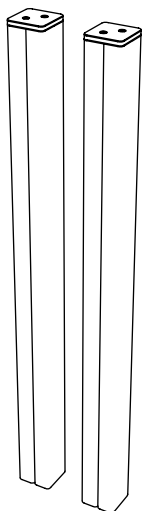
NUR105 - PALISADE STILE

Installation Instructions

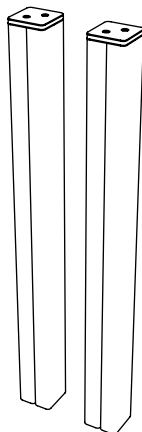
**creative
play**



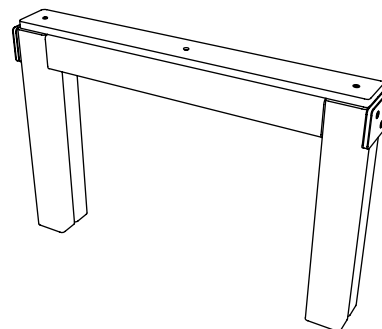
PARTS REQUIRED



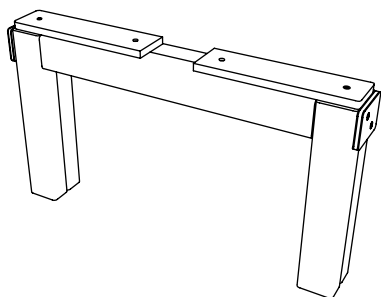
105A [X2]



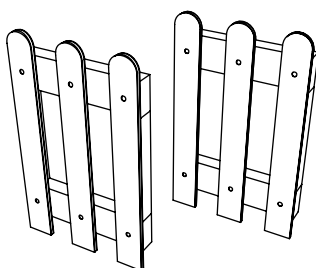
105B [X2]



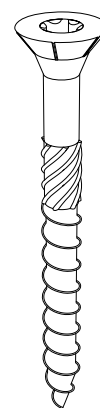
105D&C ASSEMBLY



105E&C ASSEMBLY

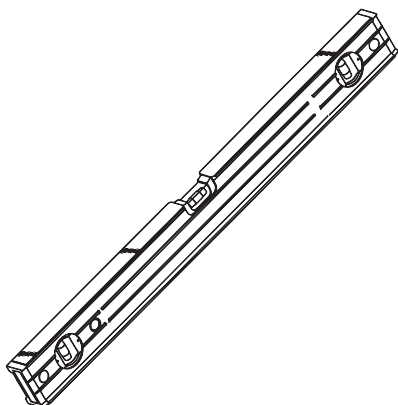


PANEL ASSEMBLY

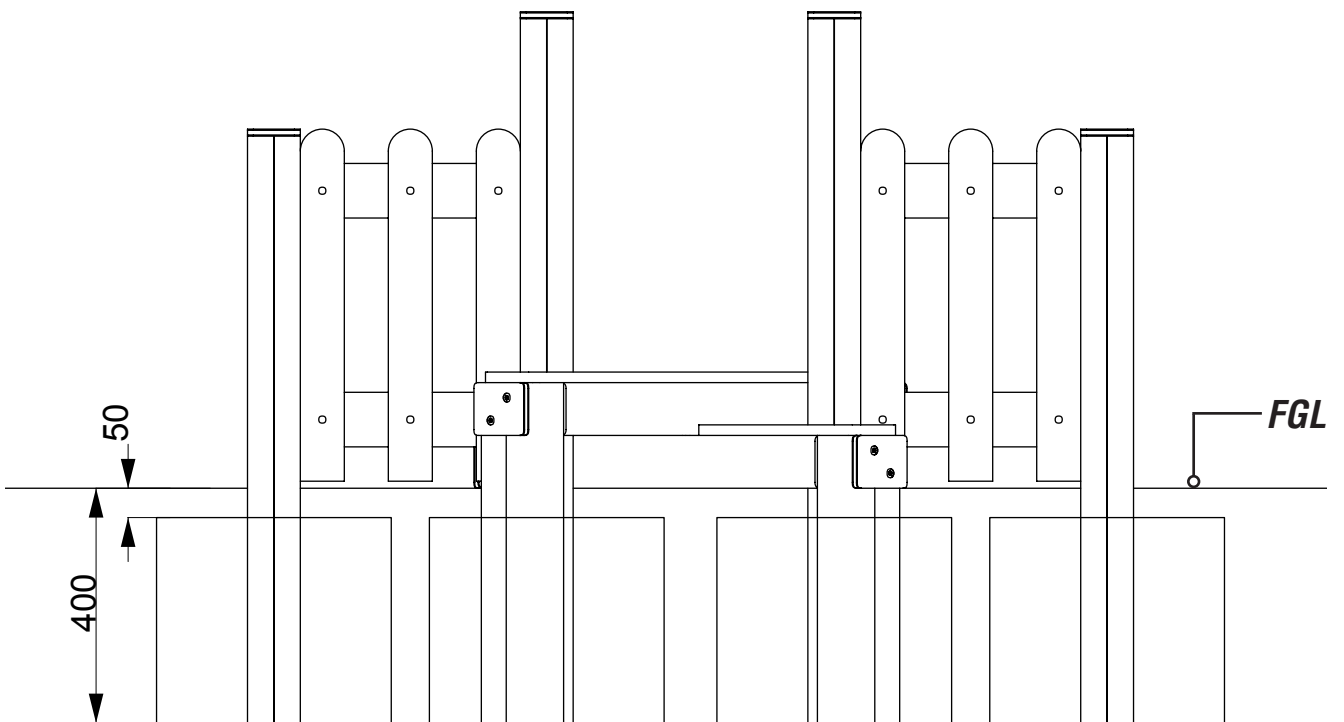
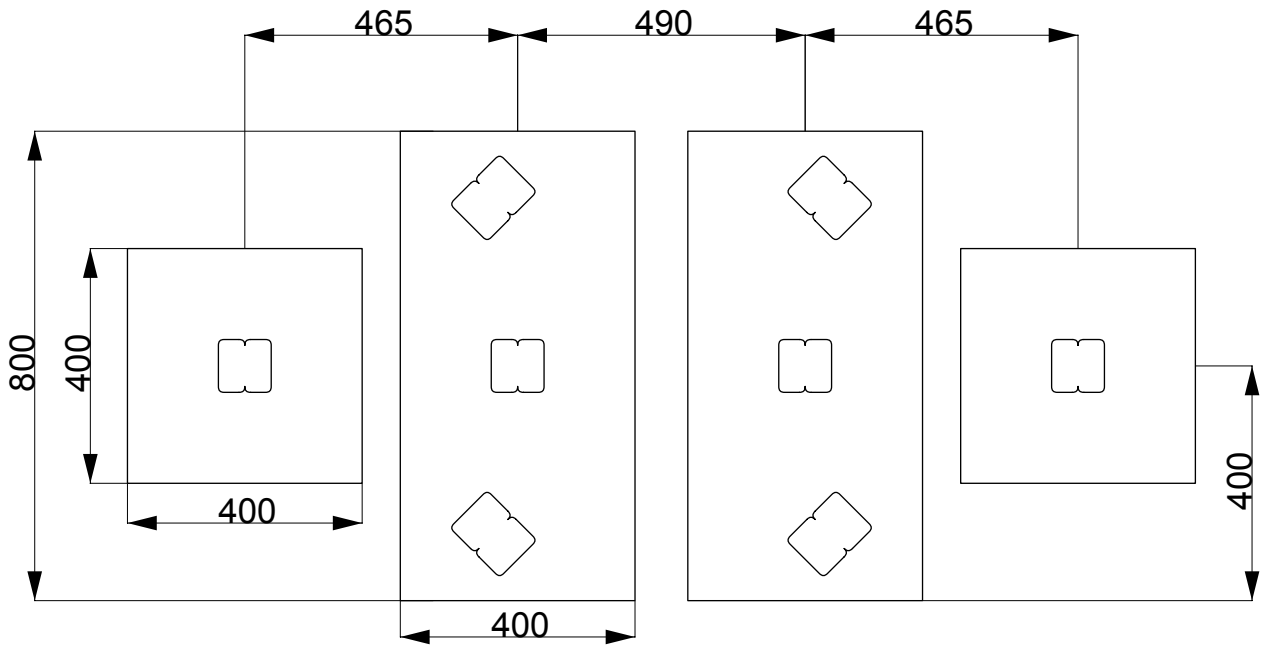


M8X80 SCREWS [X8]

TOOLS REQUIRED

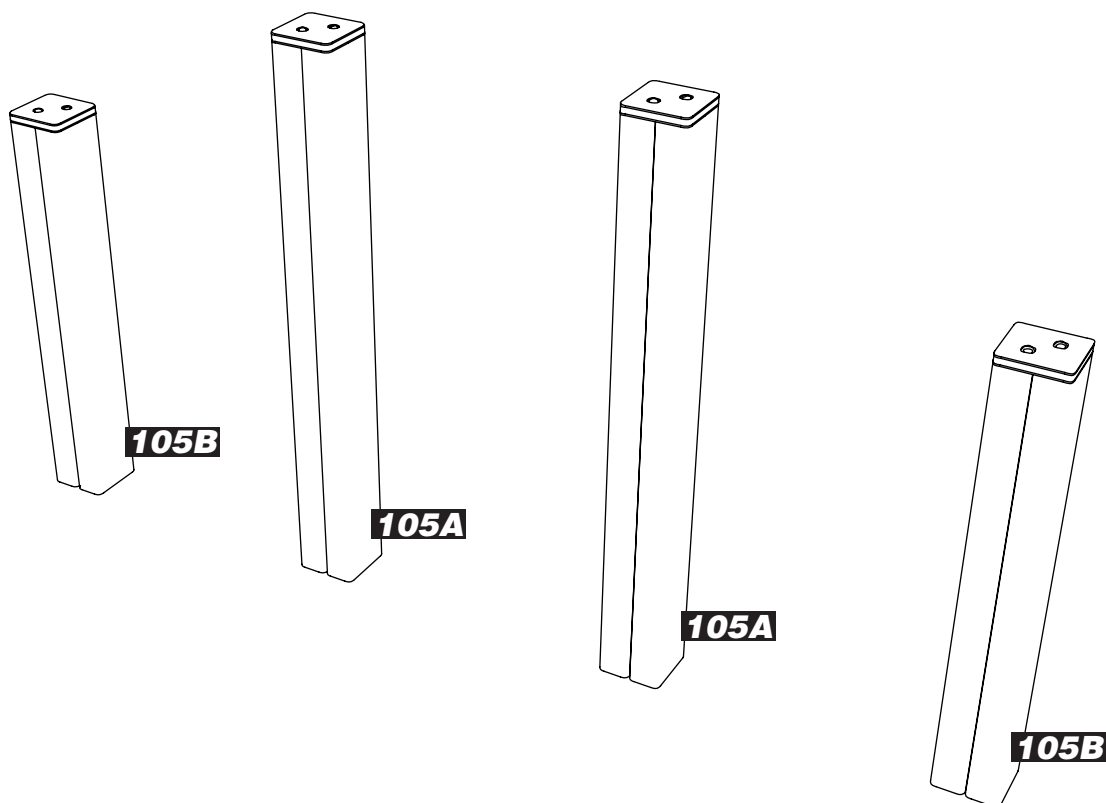


FOUNDATION DETAIL

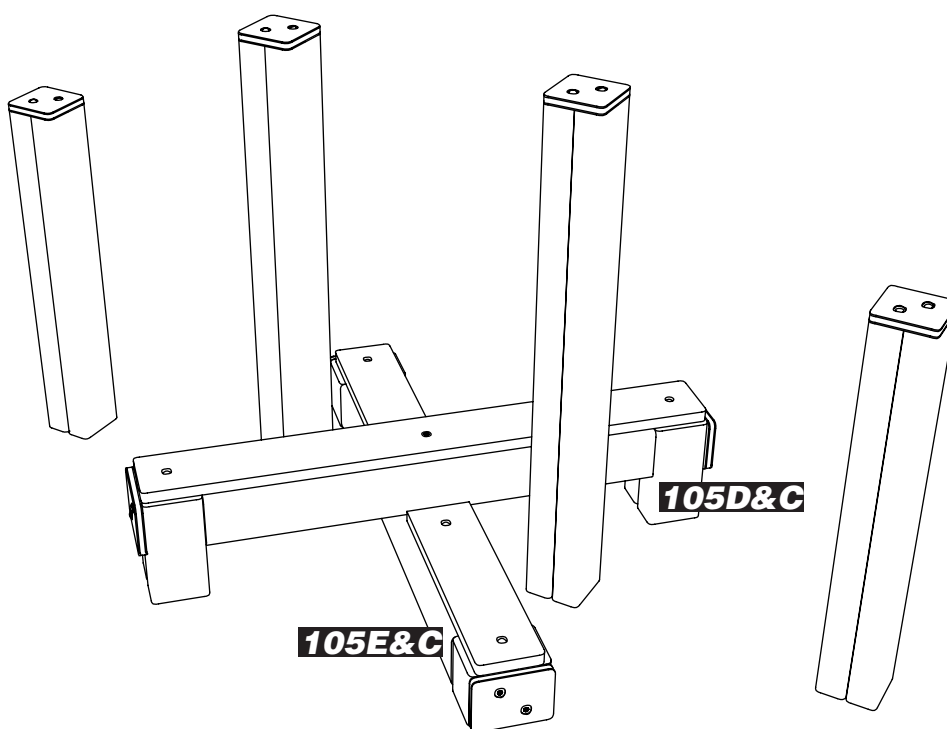


INSTALLATION INSTRUCTIONS

1 INSTALL 106A AND 106B INTO THE GROUND



2 INSTALL 105D&C ASSEMBLY AND 105E&C ASSEMBLY INTO THE GROUND ENSURE 105E&C ASSEMBLY GOES UNDERNEATH 105D&C ASSEMBLY

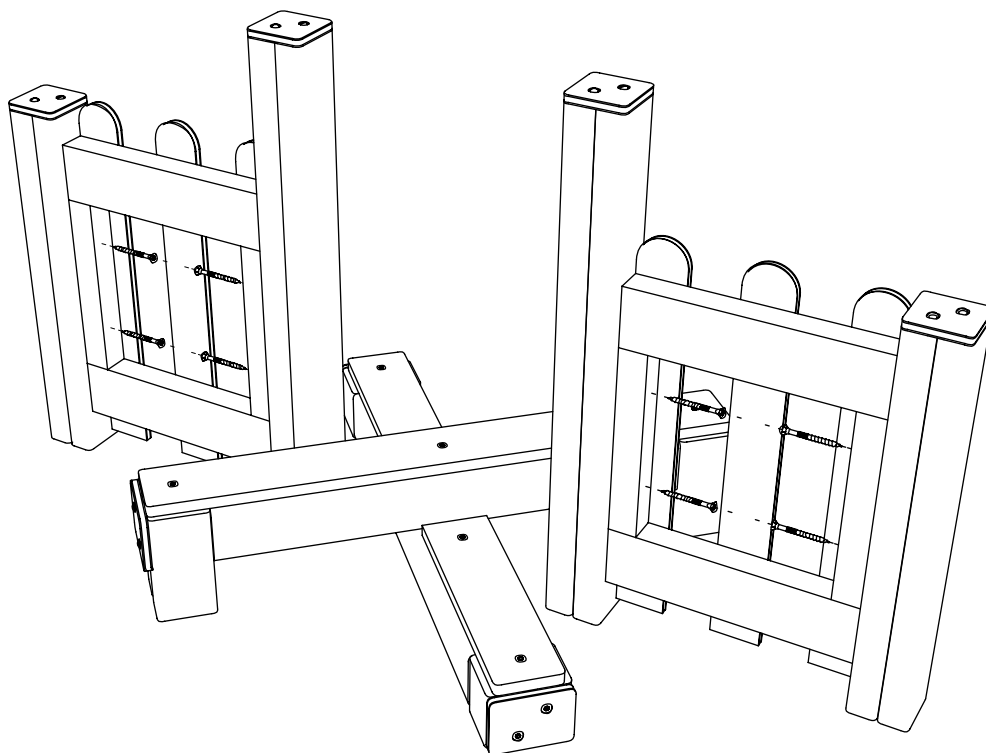


INSTALLATION INSTRUCTIONS

3

ATTACH FENCE PANELS TO 105A AND 105B

USING M8X80 SCREWS - ENSURE THERE IS A 12MM GAP BETWEEN GROUND LEVEL AND PLAYTEC



ADDITIONAL DIMENSIONS

