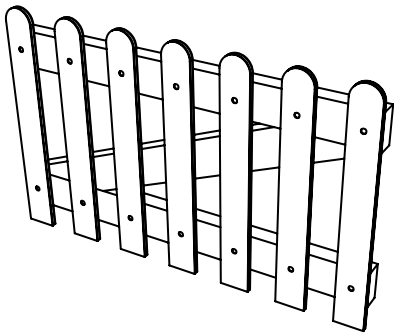
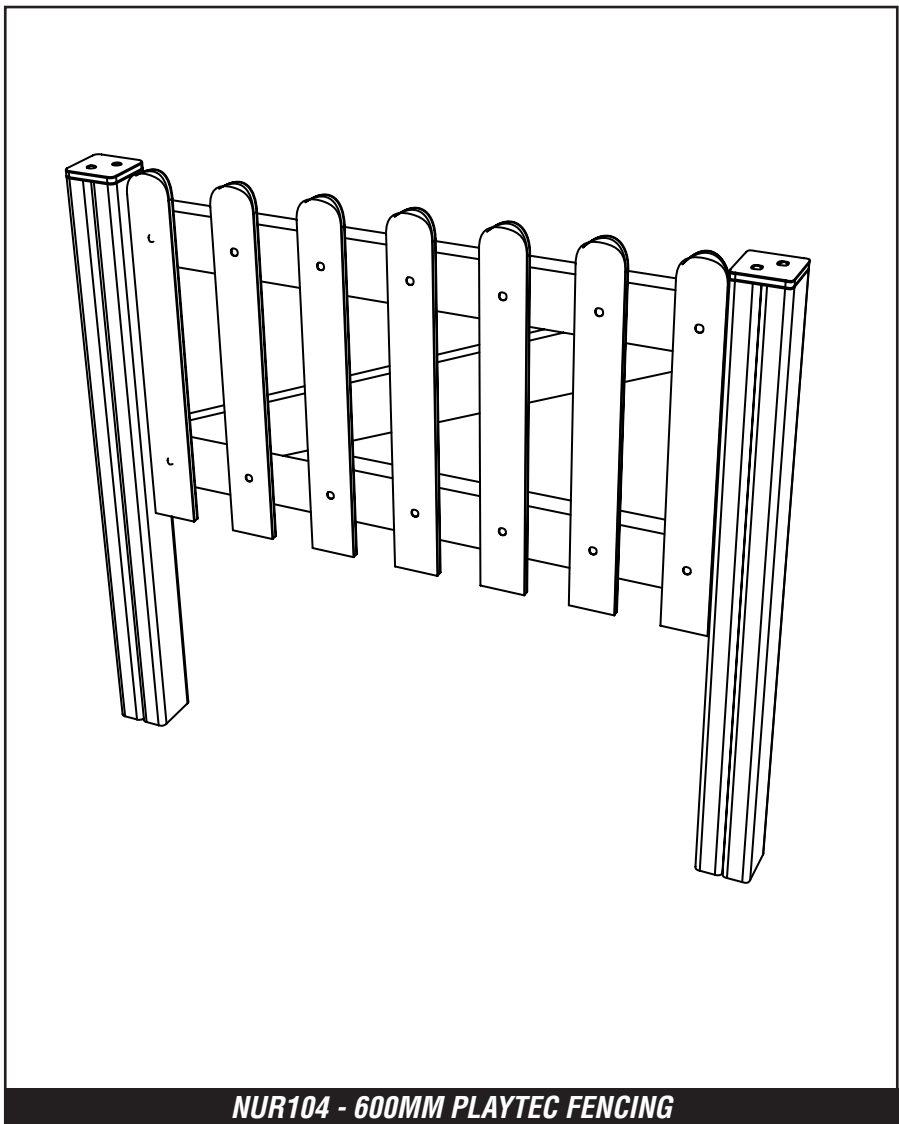
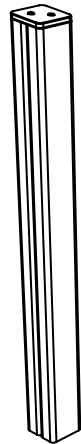


NUR104 - 600MM PLAYTEC GATE

Installation Instructions

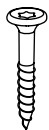
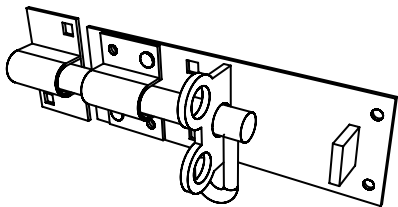


PLAYTEC GATE - ASSEMBLY

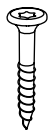
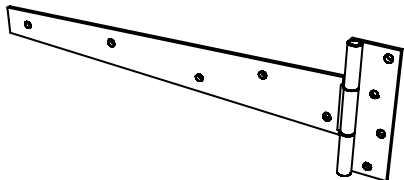


x2

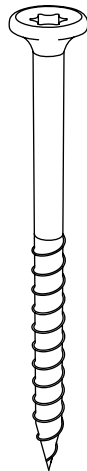
NUR104-C



INC. FIXINGS x1
4273.PAD150MM

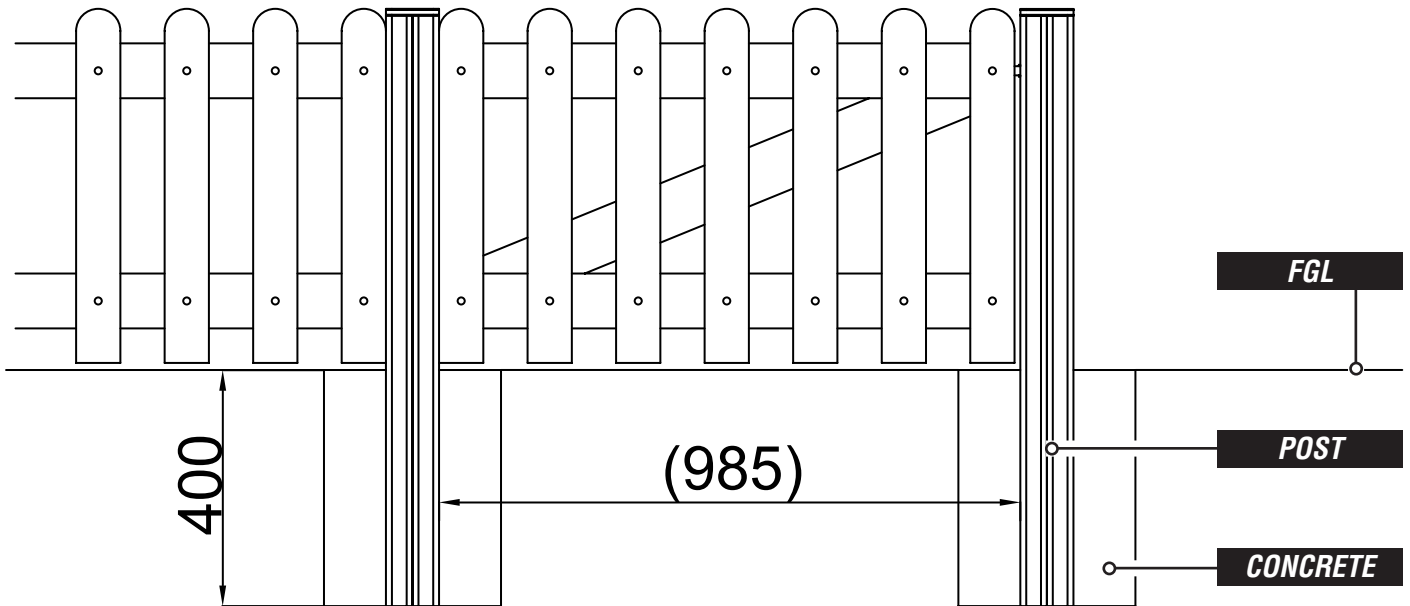
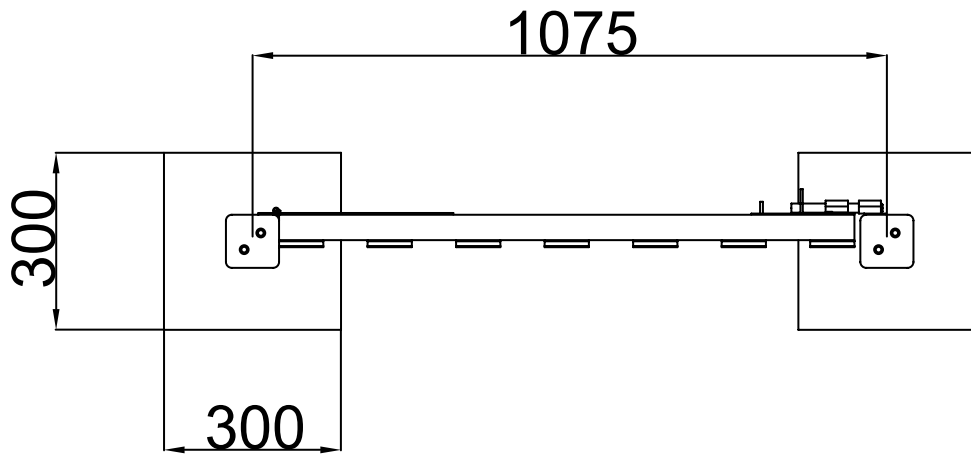


INC. FIXINGS x2
4273.TEE400MM



x8
97.M6X80CSK

FOUNDATIONS



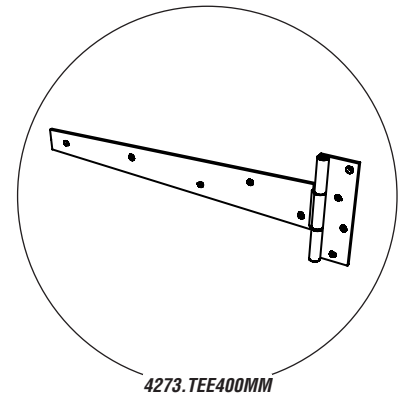
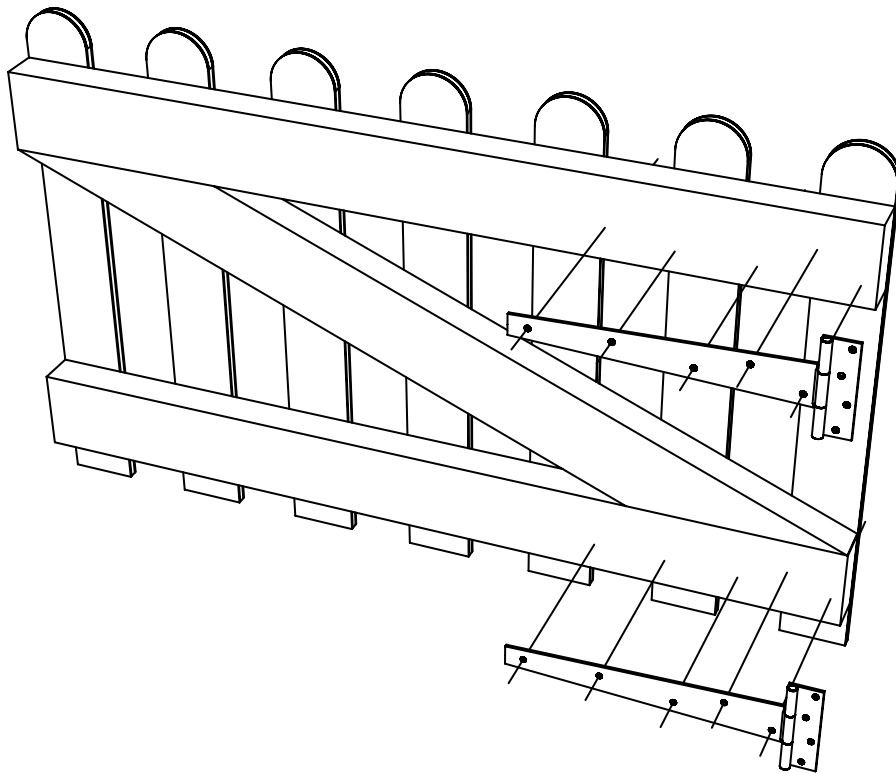
SHOWN ABOVE WITH AN ADJOINING SECTION OF FENCING

INSTALLATION INSTRUCTIONS

1

ATTACH THE HINGES TO THE GATE ASSEMBLY

USING - FIXINGS SUPPLIED

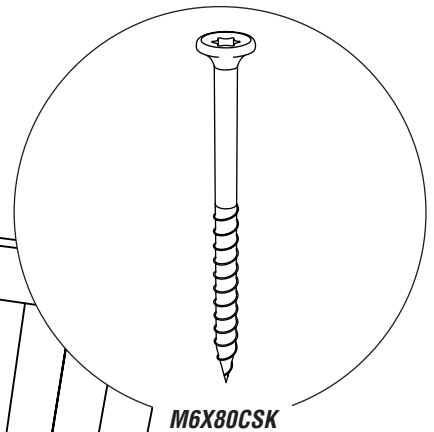
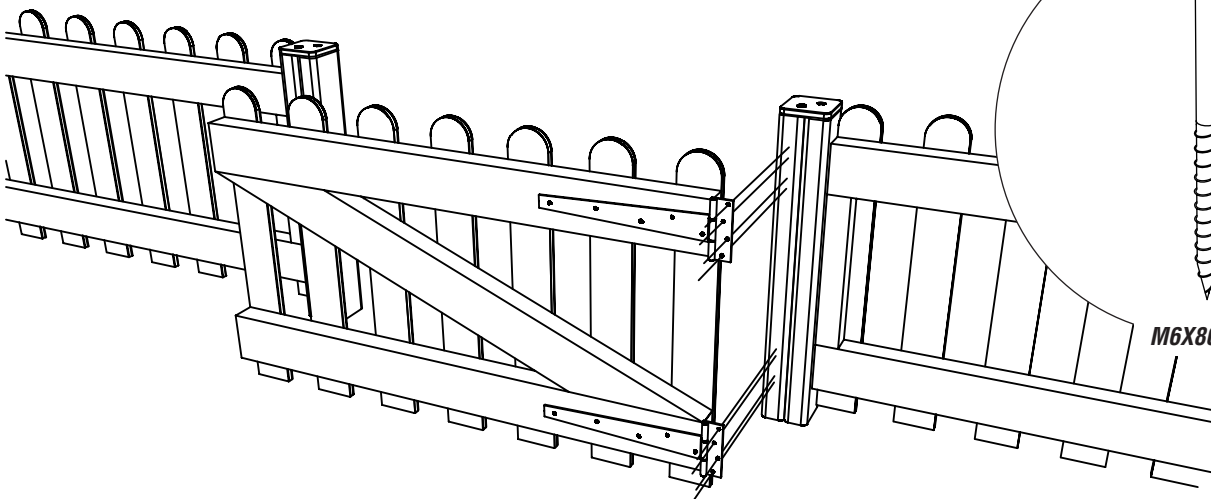


NOTES:
HINGES CAN BE POSITIONED
'LEFT OR RIGHT'

2

ATTACH THE GATE TO THE NUR104-C TIMBER

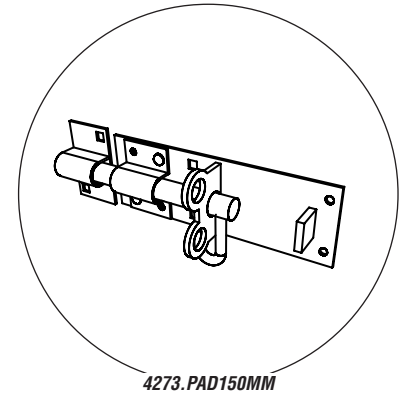
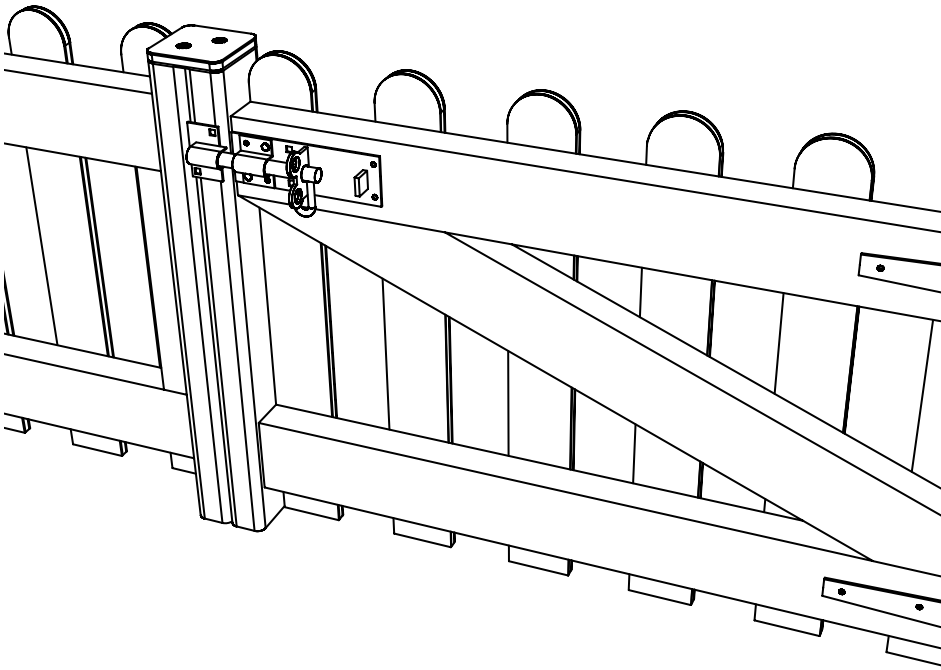
USING - 8 X M6X80CSK



VIEW FROM BACK - SHOWN ABOVE WITH AN ADJOINING SECTION OF FENCING

INSTALLATION INSTRUCTIONS

3 ATTACH THE PADBOLT TO THE GATE & UPRIGHT TIMBER USING - FIXINGS SUPPLIED



4 DISTANCE BETWEEN POSTS IS 10MM LARGER THAN THE GATE USE THIS ADDITIONAL DISTANCE AS REQUIRED (EITHER SIDE OF THE GATE)

