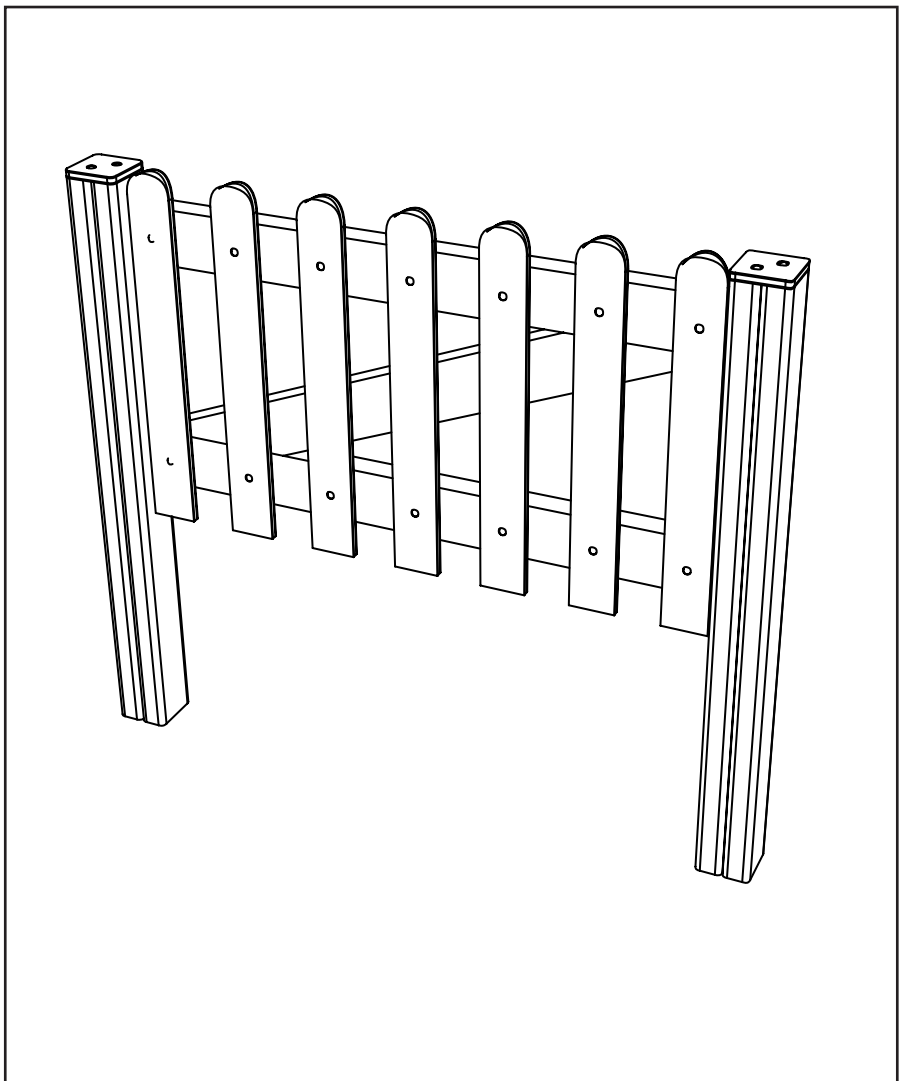
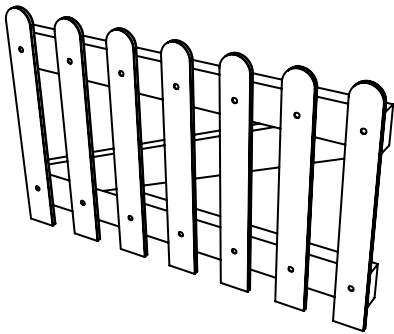


# NUR103 - 600MM PALISADE GATE

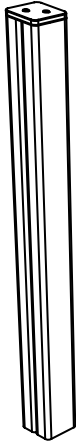
## Installation Instructions



**NUR103 - 600MM PLAYTEC FENCING**

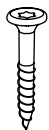
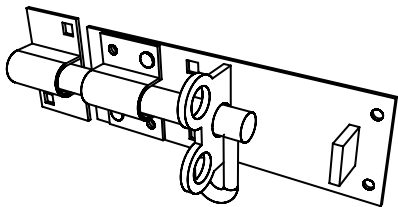


**PLAYTEC GATE - ASSEMBLY**



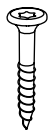
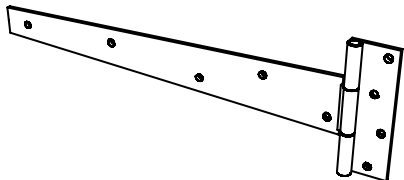
x2

**NUR103-C**



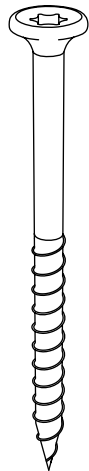
**INC. FIXINGS** x1

**4273.PAD150MM**



**INC. FIXINGS** x2

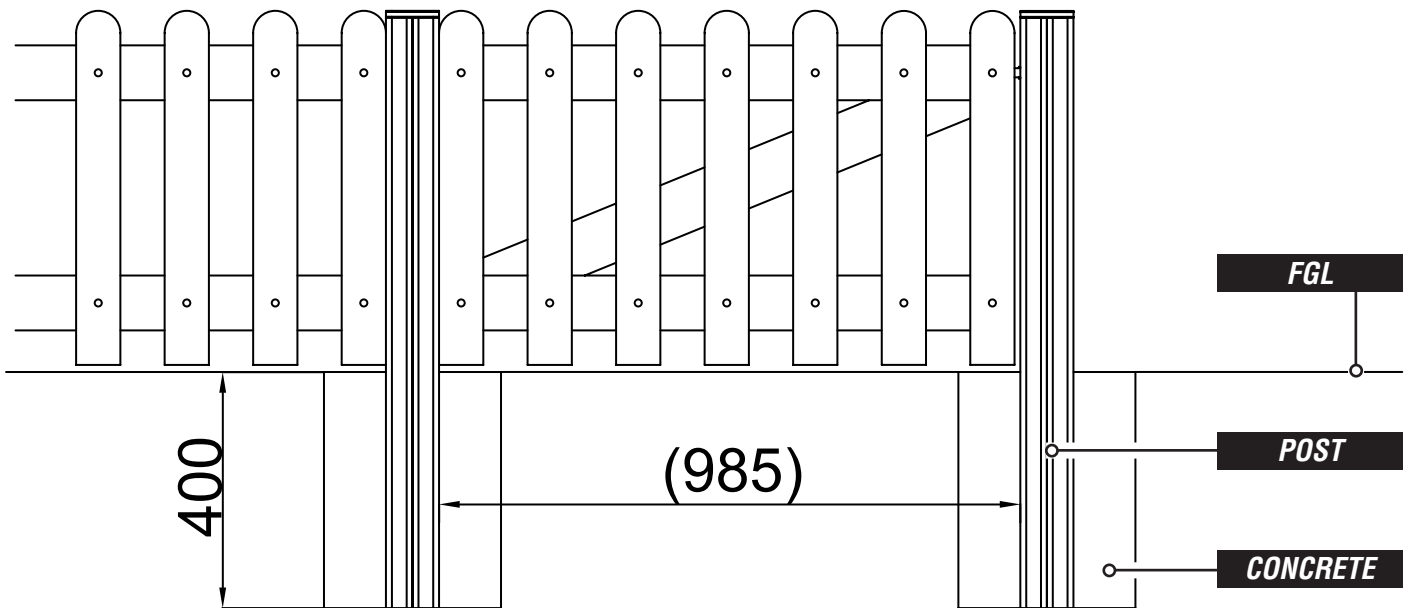
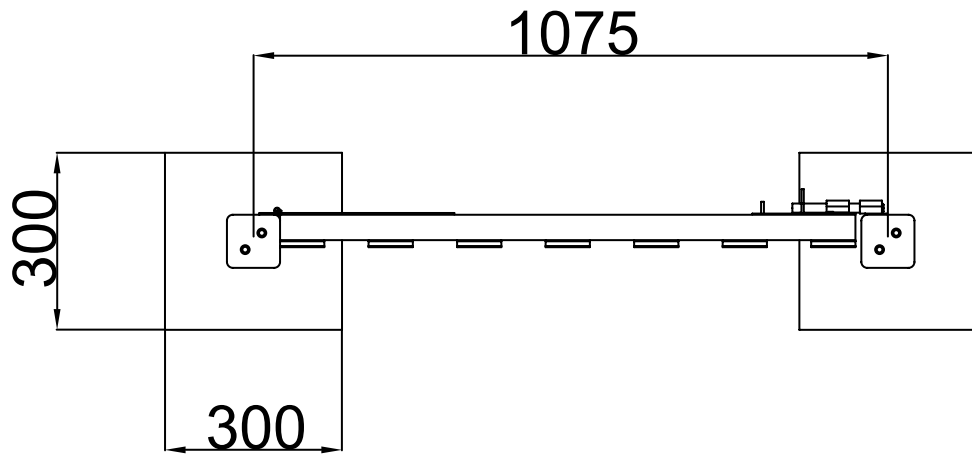
**4273.TEE400MM**



x8

**97.M6X80CSK**

# FOUNDATIONS



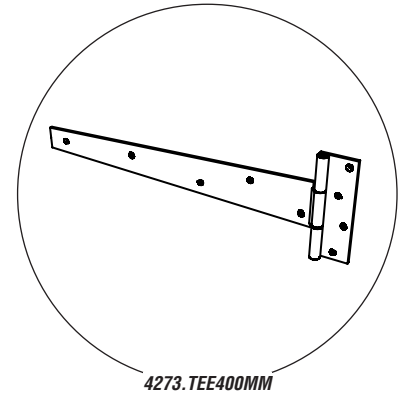
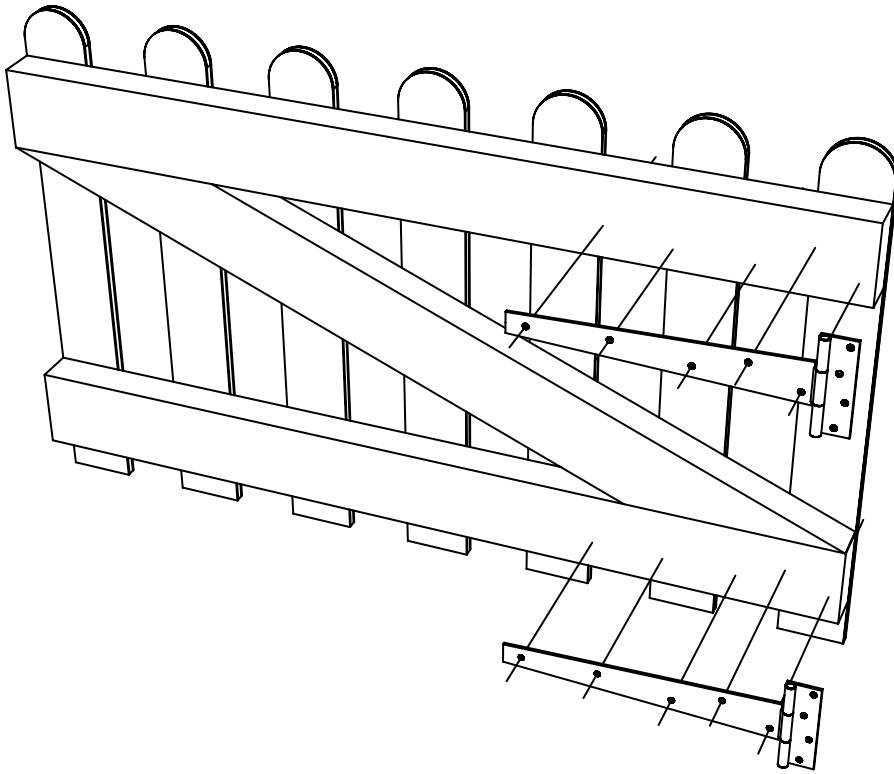
SHOWN ABOVE WITH AN ADJOINING SECTION OF FENCING

# INSTALLATION INSTRUCTIONS

**1**

## ATTACH THE HINGES TO THE GATE ASSEMBLY

USING - FIXINGS SUPPLIED

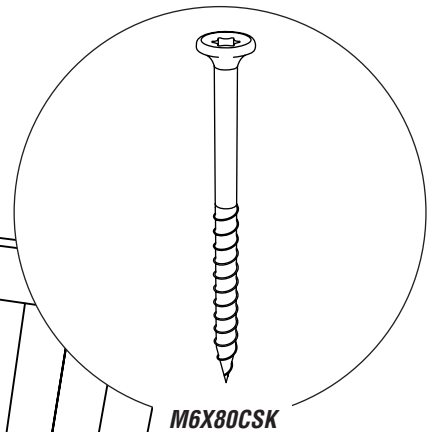
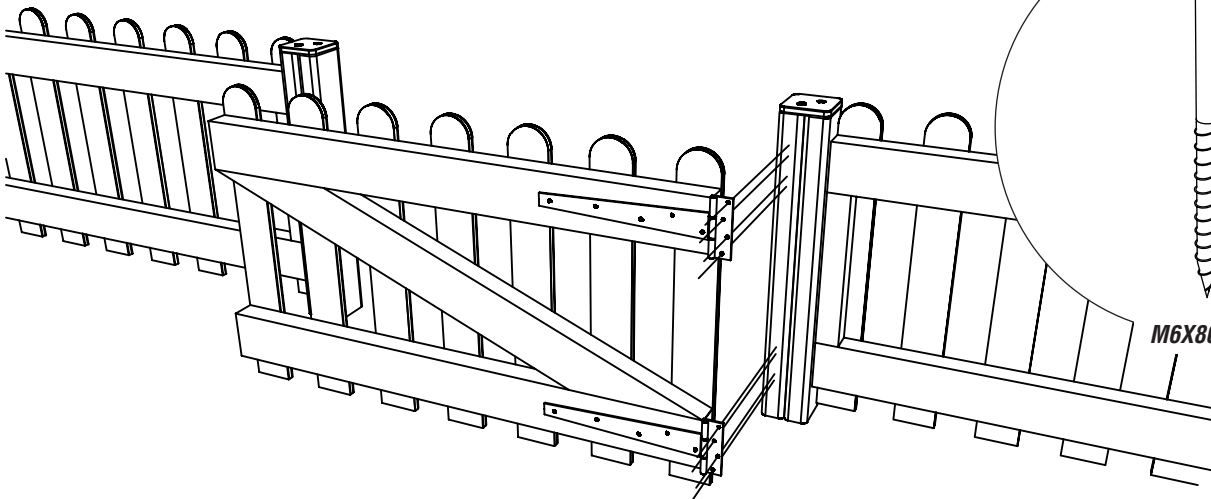


**NOTES:**  
HINGES CAN BE POSITIONED  
'LEFT OR RIGHT'

**2**

## ATTACH THE GATE TO THE NUR103-C TIMBER

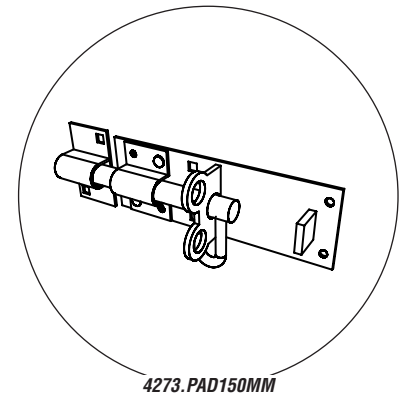
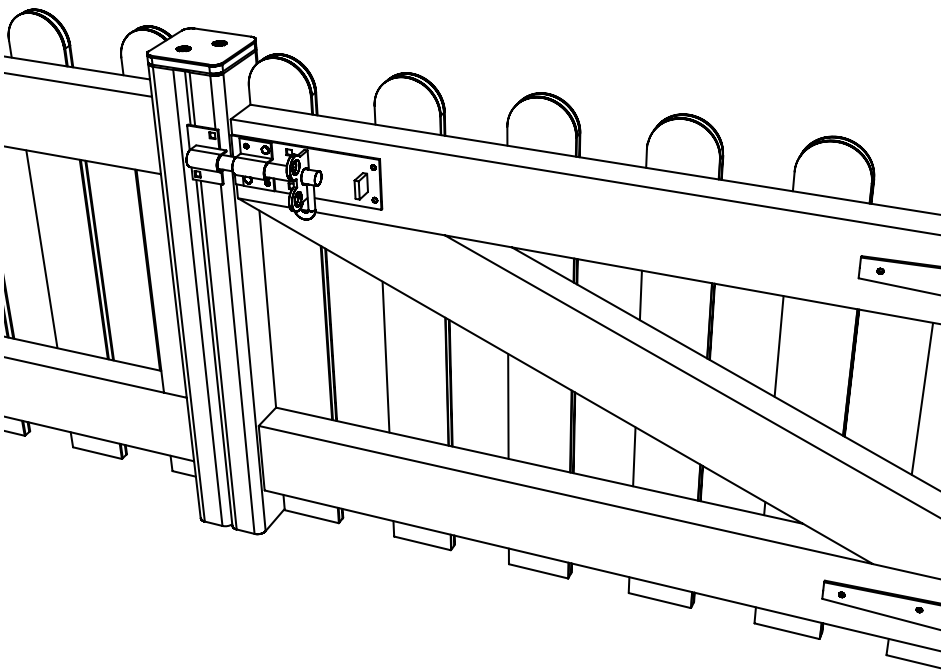
USING - 8 X M6X80CSK



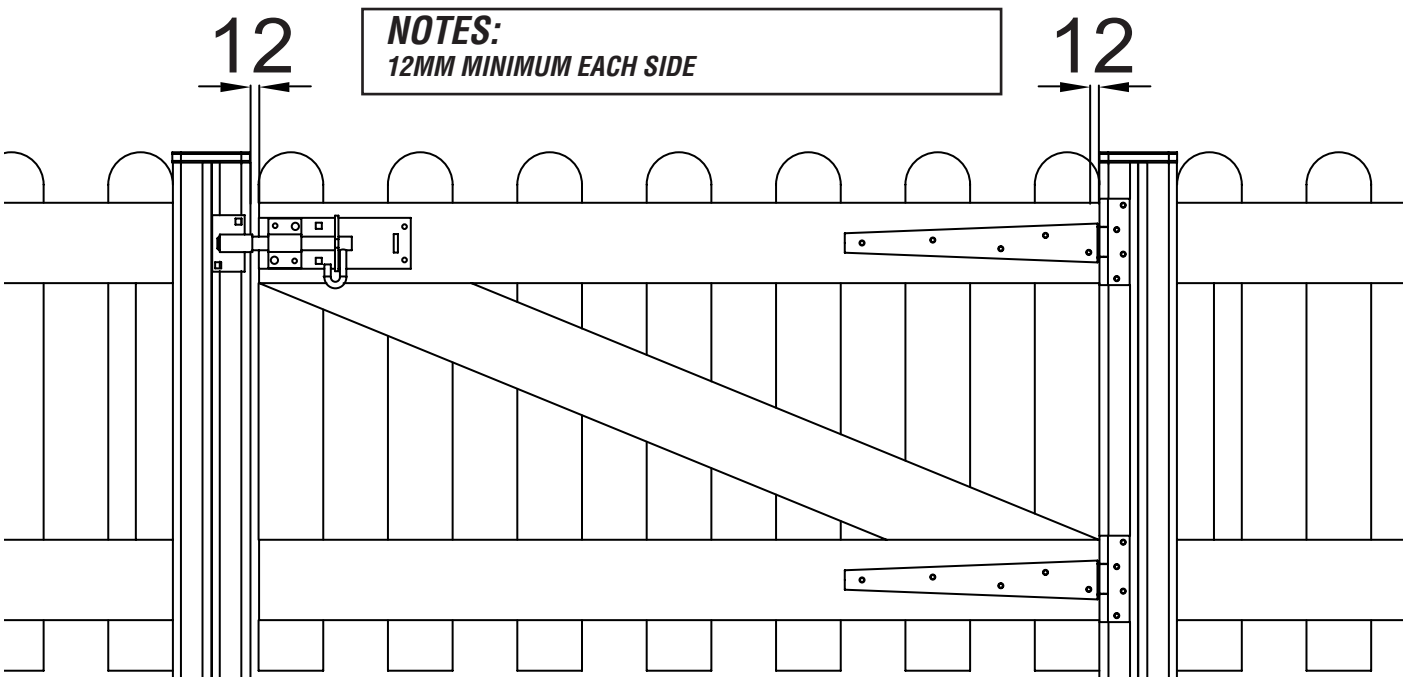
VIEW FROM BACK - SHOWN ABOVE WITH AN ADJOINING SECTION OF FENCING

# INSTALLATION INSTRUCTIONS

## 3 ATTACH THE PADBOLT TO THE GATE & UPRIGHT TIMBER USING - FIXINGS SUPPLIED



## 4 DISTANCE BETWEEN POSTS IS LARGER THAN THE GATE USE THIS ADDITIONAL DISTANCE AS REQUIRED (EITHER SIDE OF THE GATE)



# ***INSTALLATION INSTRUCTIONS***

---

**5** ***ATTACH THE PADBOLT TO THE GATE & UPRIGHT TIMBER***  
*USING - FIXINGS SUPPLIED*