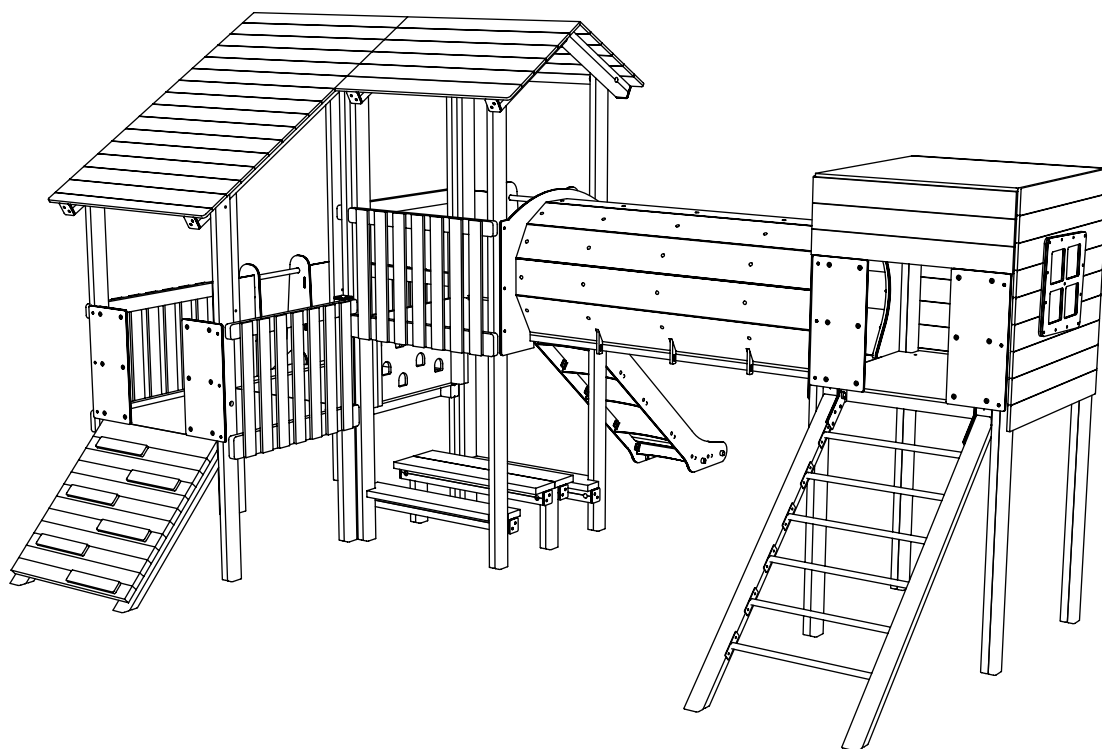
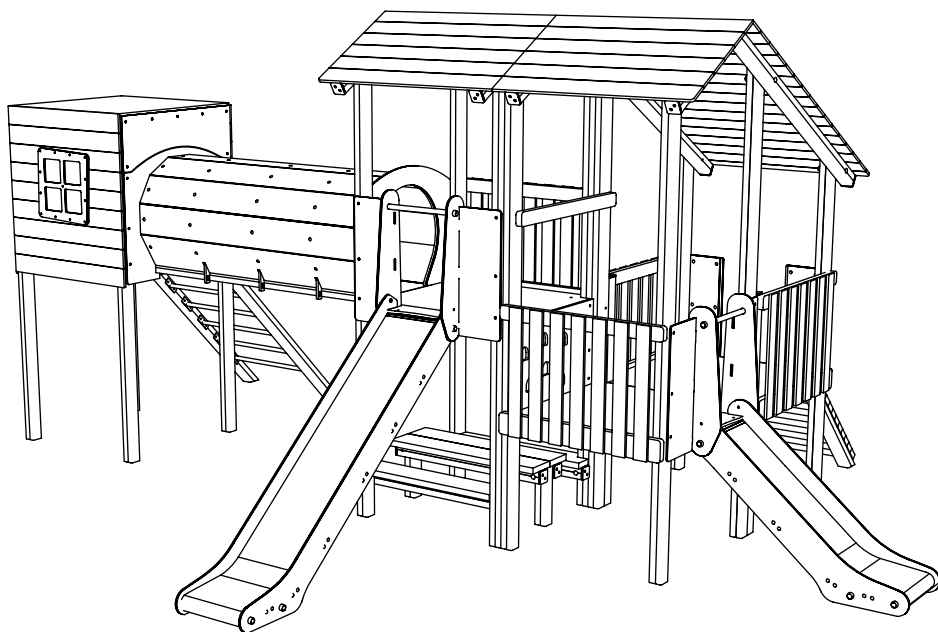


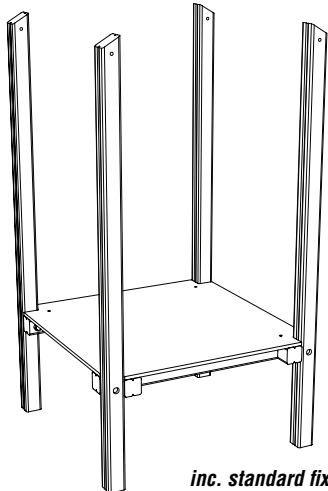
WO110 - SHERWOOD

Installation Instructions

creative
play

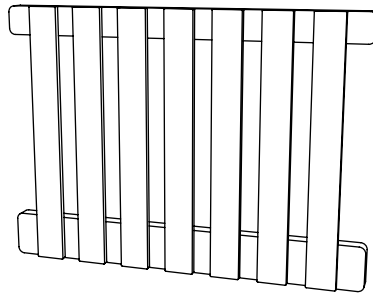


PARTS REQUIRED



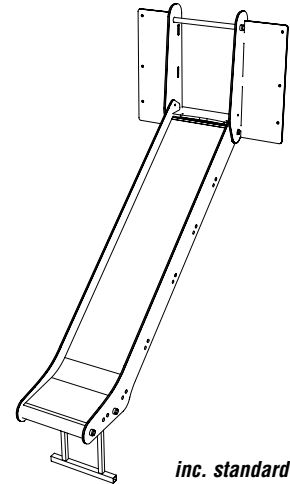
inc. standard fixings

STANDARD JIGSAW PART
JIG1502 - ROOF PLATFORM - 1.5M



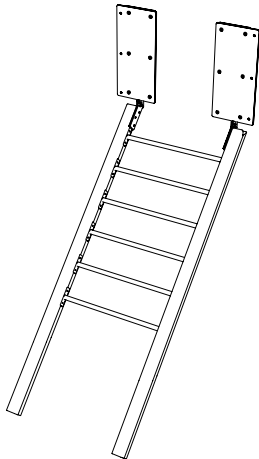
inc. standard fixings

STANDARD JIGSAW PART
JIG102 - GUARD RAIL - STRAIGHT [X4]



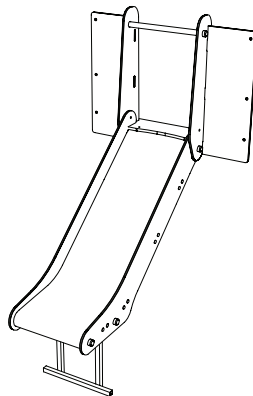
inc. standard fixings

STANDARD JIGSAW PART
JIG1511 - SLIDE - 1.5M



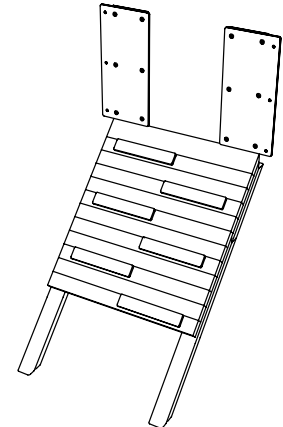
inc. standard fixings

STANDARD JIGSAW PART
JIG1519 - INCLINED RUNG LADDER - 1.5M



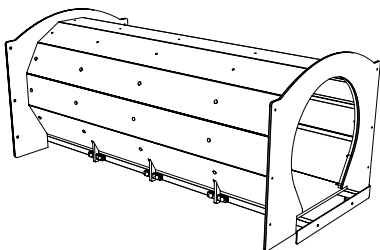
inc. standard fixings

STANDARD JIGSAW PART
JIG911 - SLIDE - 0.9M



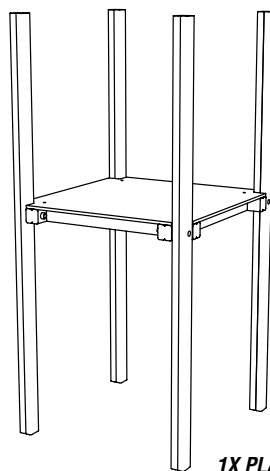
inc. standard fixings

STANDARD JIGSAW PART
JIG913 - RAMP - 0.9M



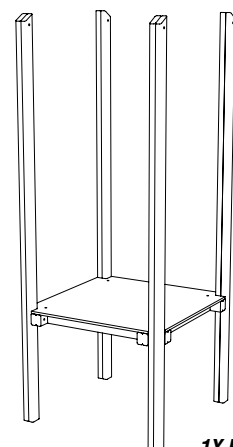
inc. standard fixings

STANDARD JIGSAW PART
JIG207 - CRAWLING TUBE



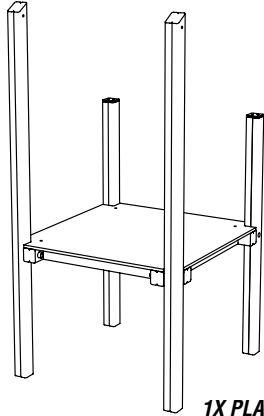
1X PLATFORM
4X W0110-E TIMBERS

W0110 SPECIFIC PART
1.5M PLATFORM



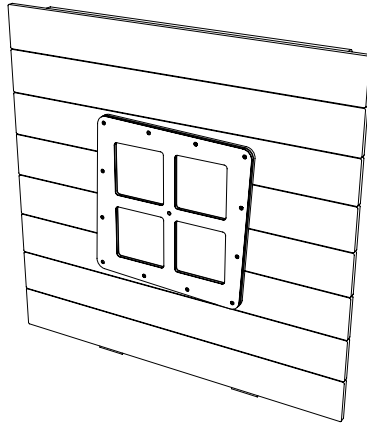
1X PLATFORM
2X W0110-C TIMBERS
2X W0110-D TIMBERS

W0110 SPECIFIC PART
0.9M ROOF PLATFORM

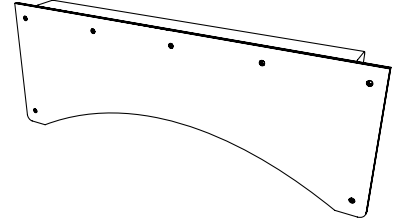


1X PLATFORM
 1X WO110-A TIMBERS
 1X WO110-B TIMBERS
 2X JIG901-A TIMBERS

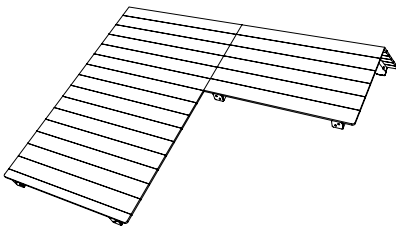
WO110 SPECIFIC PART
MEDIUM WINDOW PANEL [X2]



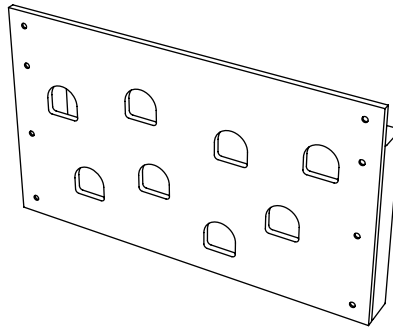
WO110 SPECIFIC PART
MEDIUM WINDOW PANEL [X2]



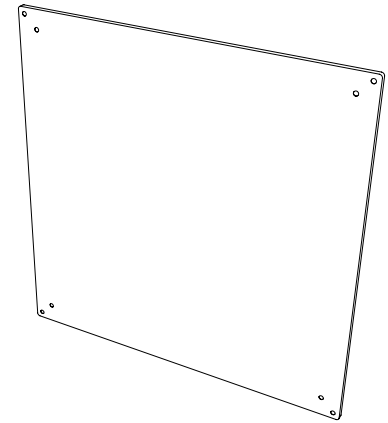
WO110 SPECIFIC PART
PLAYTEC BLANKING PANEL



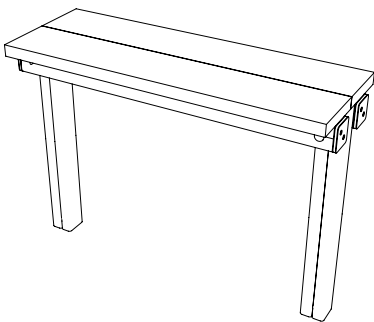
WO110 SPECIFIC PART
DOUBLE ROOF - EXTENDED



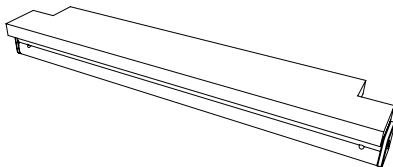
WO110 SPECIFIC PART
SPLIT LEVEL CLIMBER



WO110 SPECIFIC PART
HEXA DEN ROOF



WO110 SPECIFIC PART
WOODLANDER TABLE

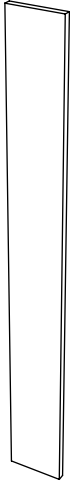


WO110 SPECIFIC PART
WOODLANDER SEATS [X2]



WO110 SPECIFIC PART
WO110-M TIMBER

PARTS REQUIRED



W0110 SPECIFIC PART

W0110-L TIMBER [X5]



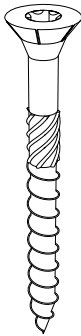
W0110 SPECIFIC PART

W0110-T TIMBER



W0110 - EXTRA FIXINGS

M8X180 SCREWS [X8]



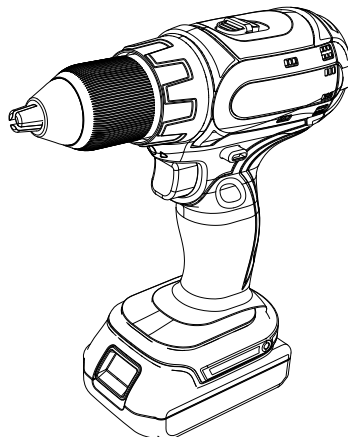
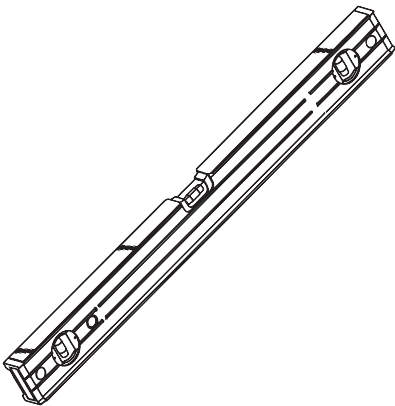
W0110 - EXTRA FIXINGS

M8X80 SCREWS [X40]

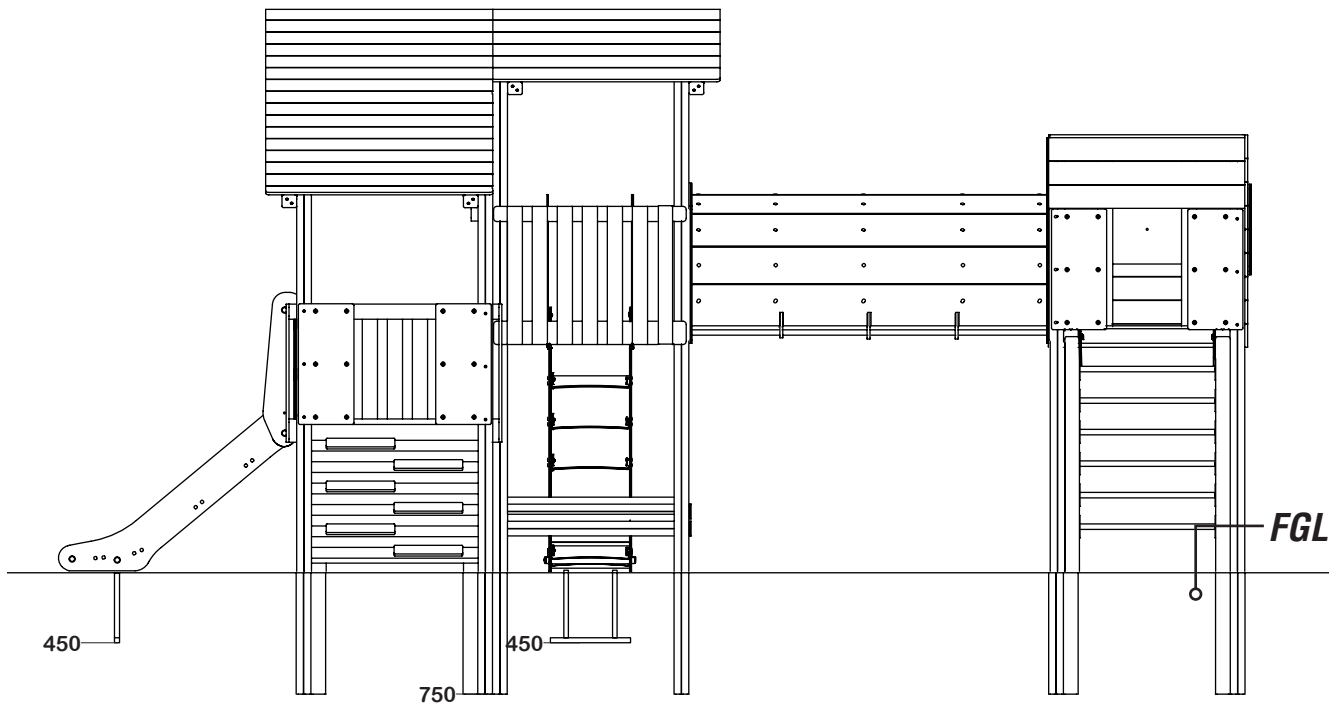
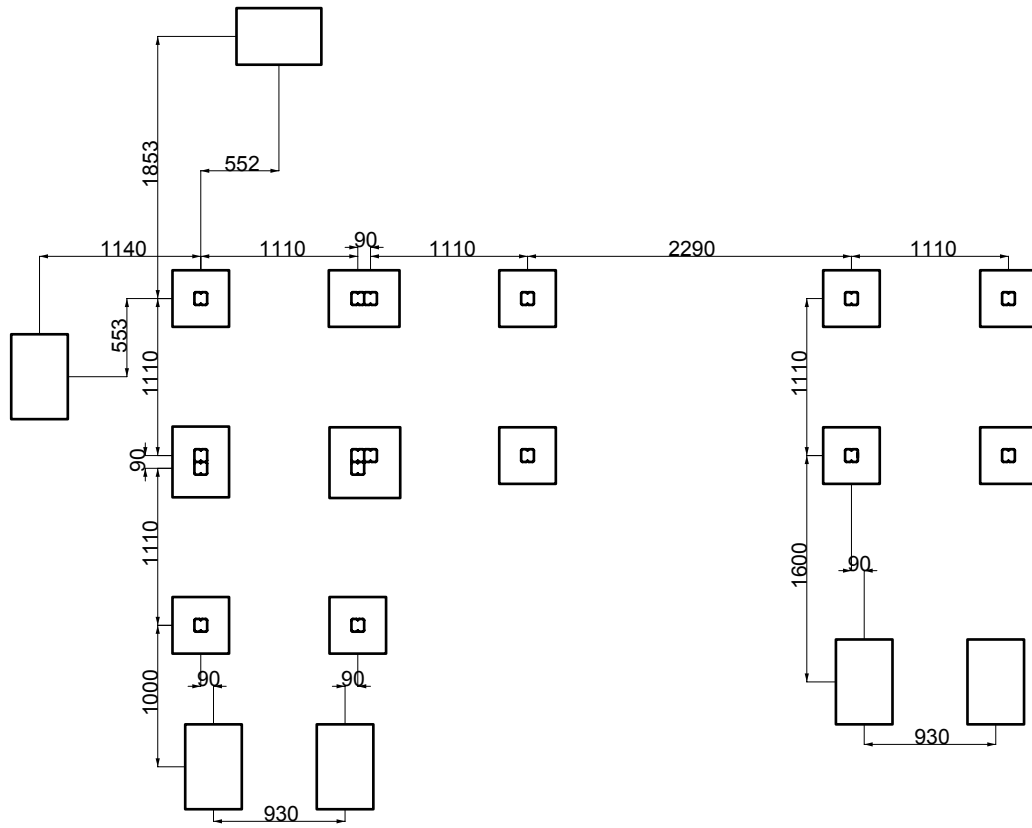
**FOR ANY STANDARD JIGSAW
PART USE THE STANDARD
JIGSAW INSTALLATION
INSTRUCTIONS**

STANDARD JIGSAW PART

TOOLS REQUIRED

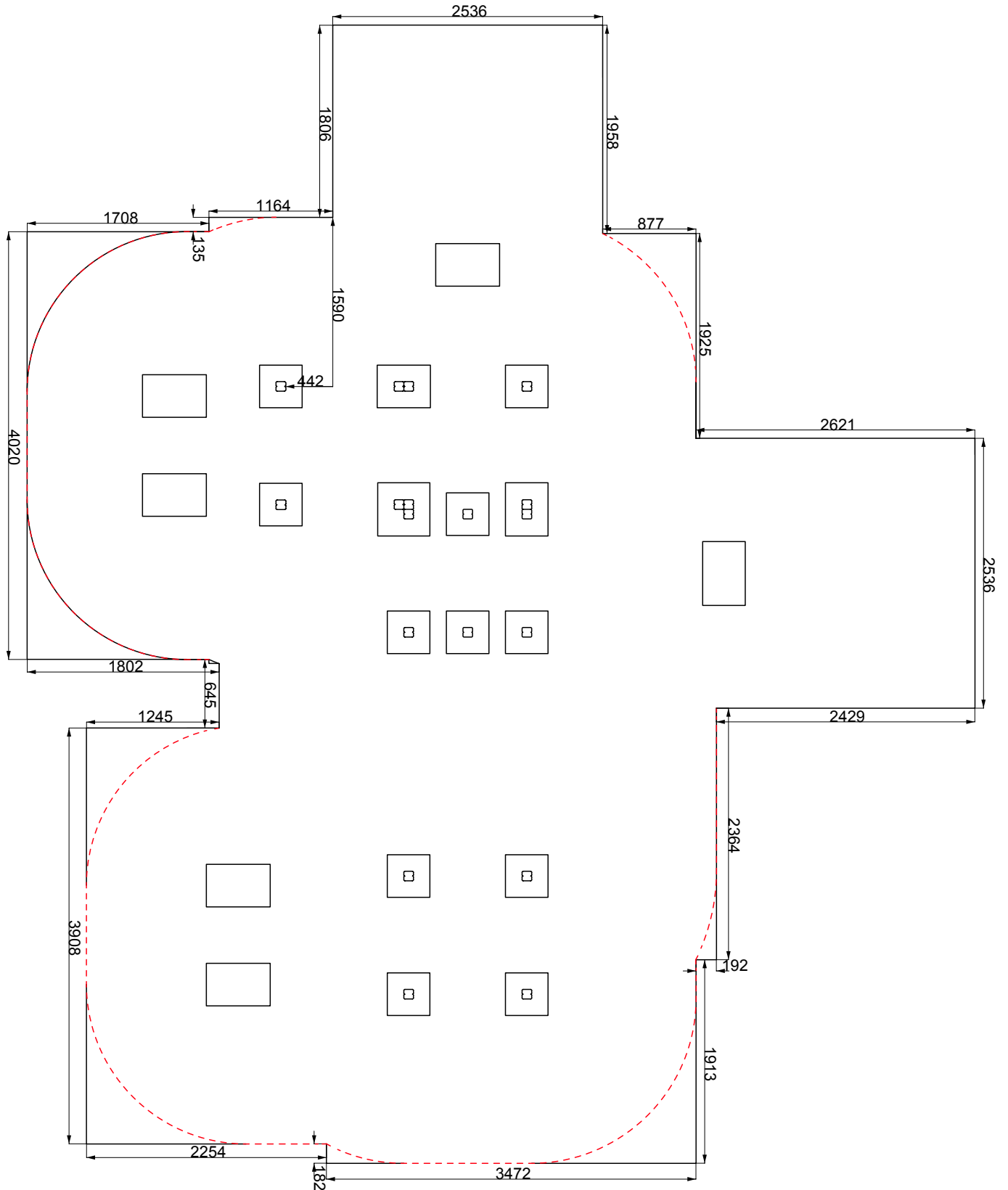


FOUNDATION DETAIL



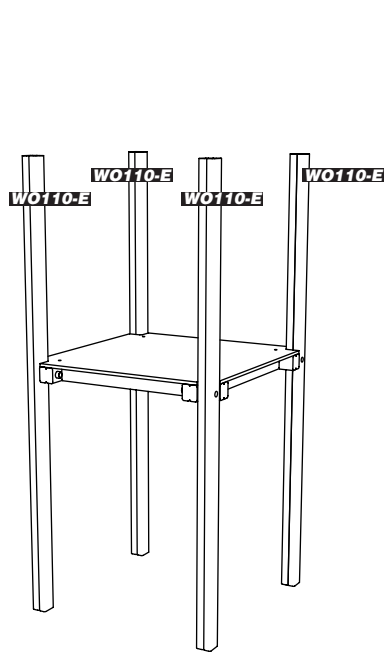
SURFACING - OVERALL AREA

- - - - - = MINIMUM SPACE
————— = SURFACE AREA

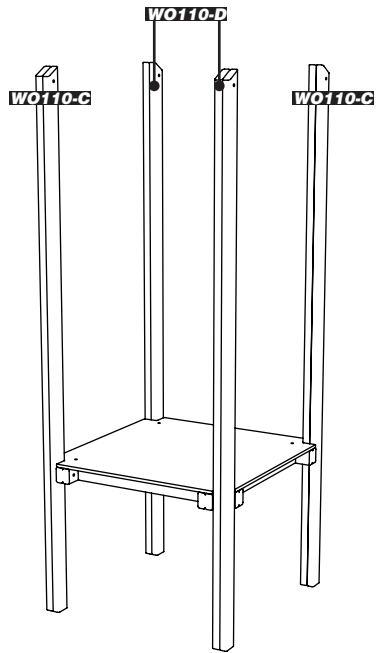


1

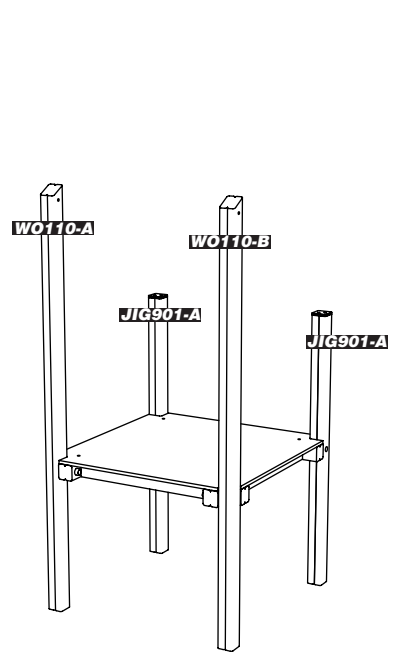
CONSTRUCT 3X WO110 SPECIFIC PLATFORMS
SHOWN BELOW



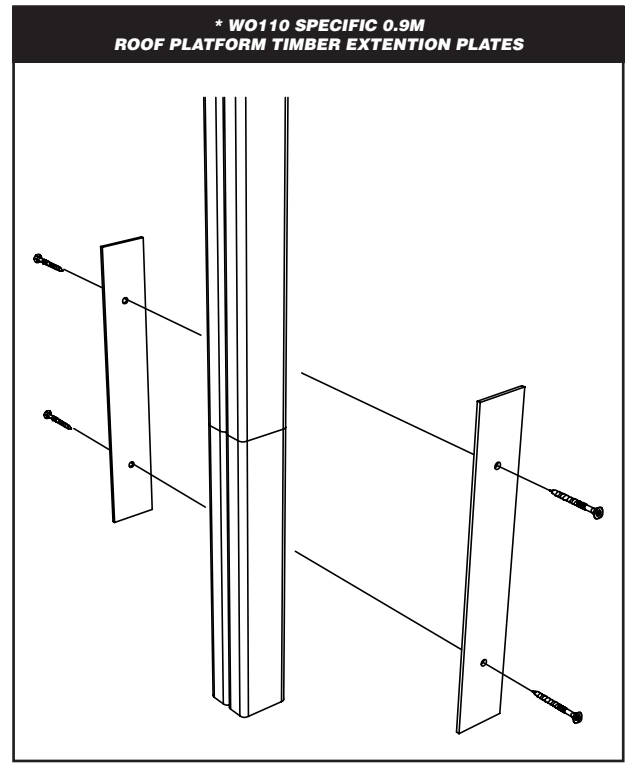
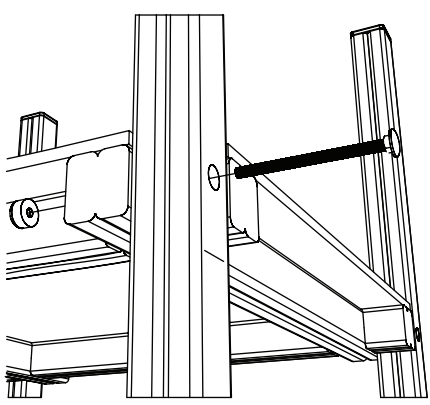
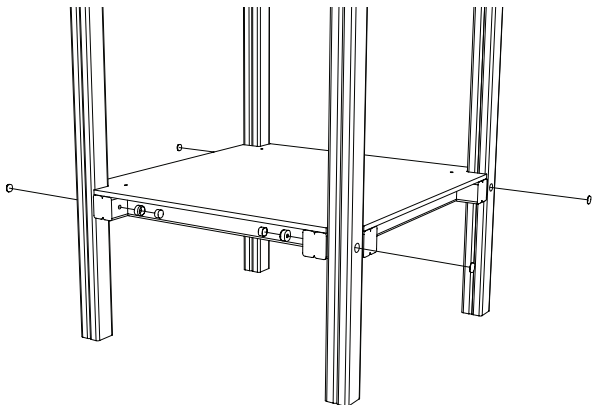
WO110 SPECIFIC 1.5M PLATFORM



WO110 SPECIFIC 0.9M ROOF PLATFORM *

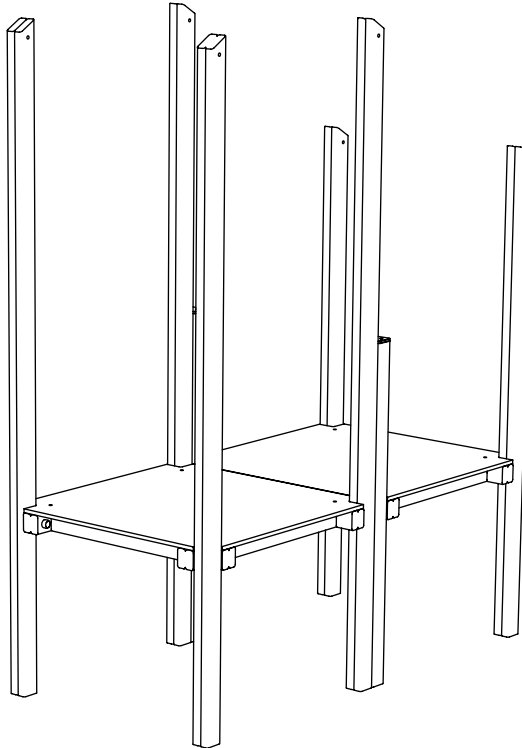


WO110 SPECIFIC 0.9M MIX ROOF PLATFORM

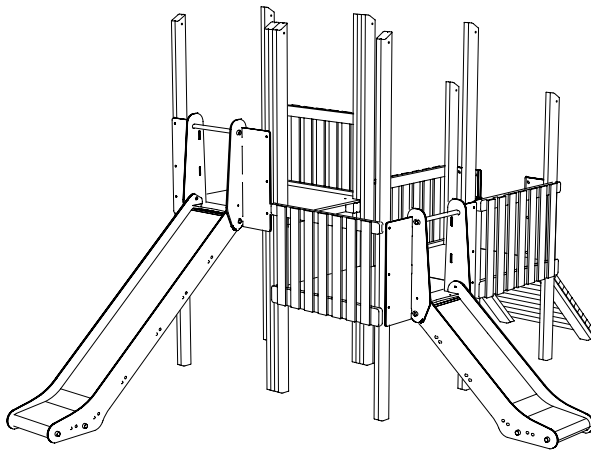


INSTALLATION INSTRUCTIONS

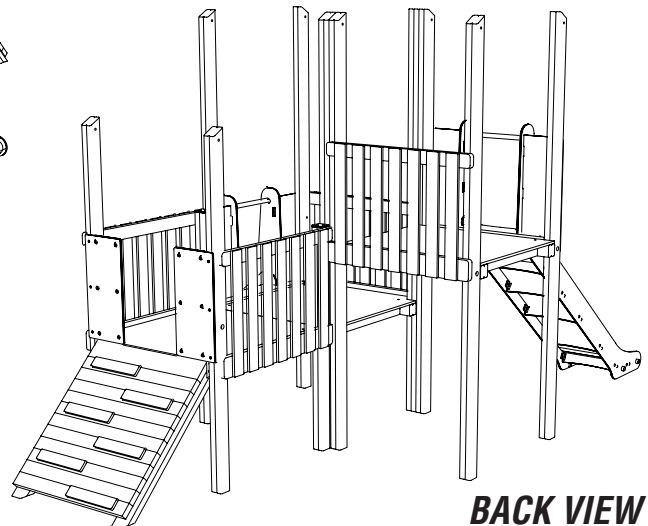
- 2** **INSTALL 2X W0110 SPECIFIC 0.9M PLATFORMS INTO THE GROUND**
UNIT SHOULD LOOK LIKE THIS



- 3** **INSTALL MOST STANDARD JIGSAW PARTS AS PER STANDARD INSTRUCTIONS**
UNIT SHOULD LOOK LIKE THIS



FRONT VIEW

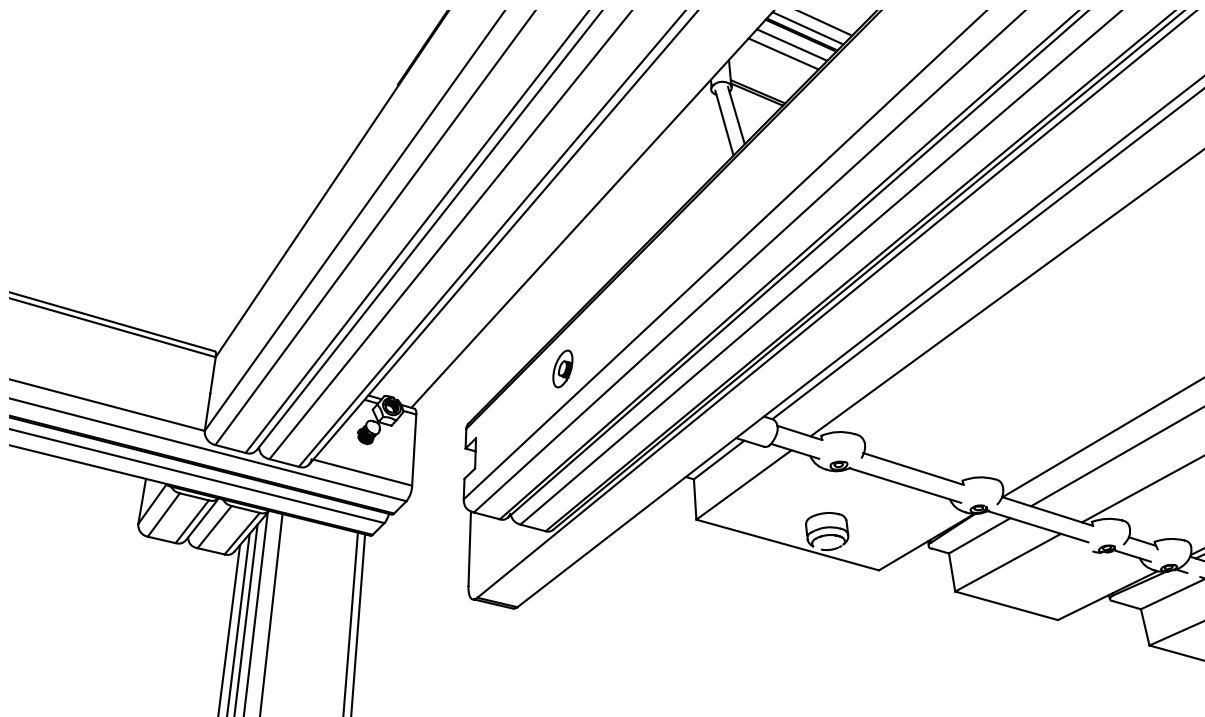


BACK VIEW

INSTALLATION INSTRUCTIONS

4

PLEASE NOTE - END CAPS MAY NOT BE REQUIRED
SOME ATTACHEMENT PARTS MEAN END CAPS ARE NOT REQUIRED

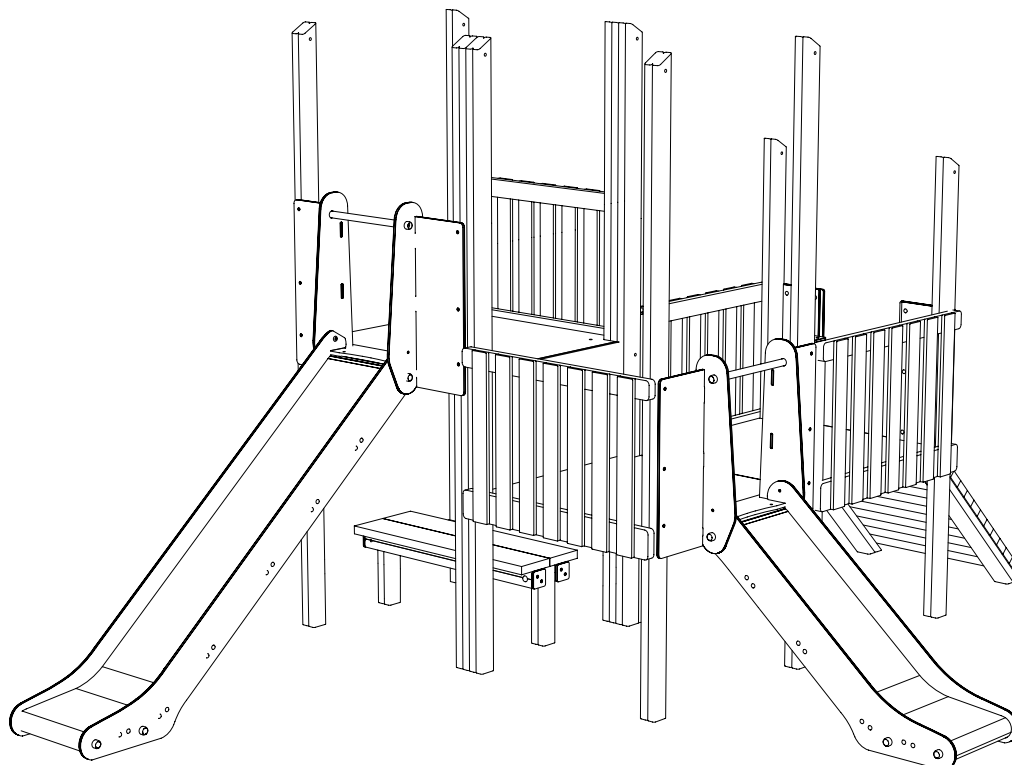


NOTES:

TIMBER SUPPORT IS CUT TO FIT AROUND THE NYLOC - CIRCLED ABOVE

5

INSTALL WO-TABLE ASSEMBLY INTO THE GROUND

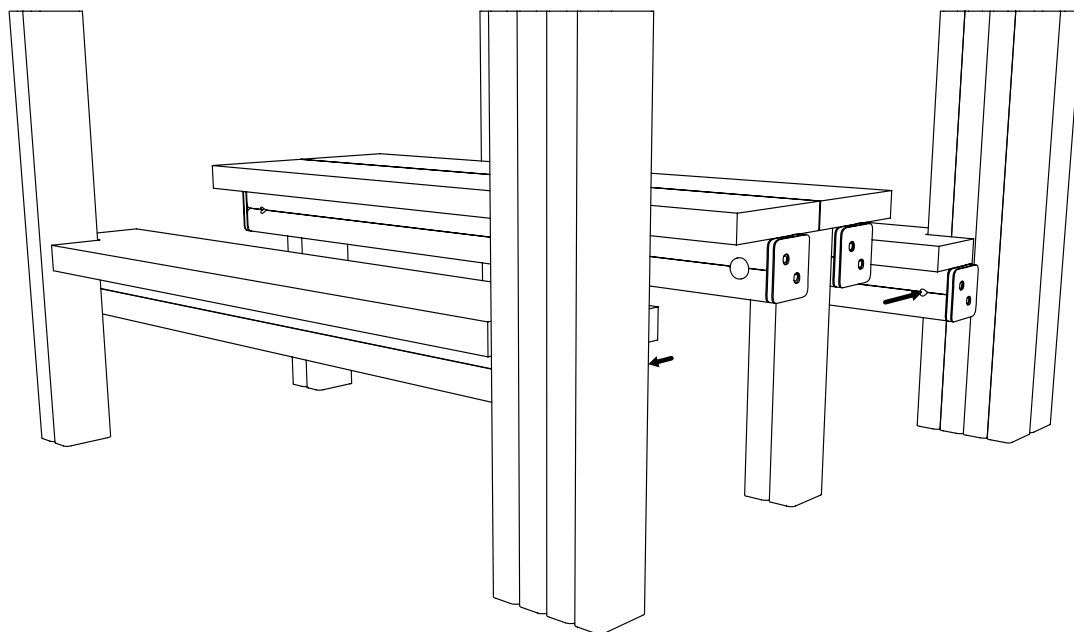


INSTALLATION INSTRUCTIONS

6

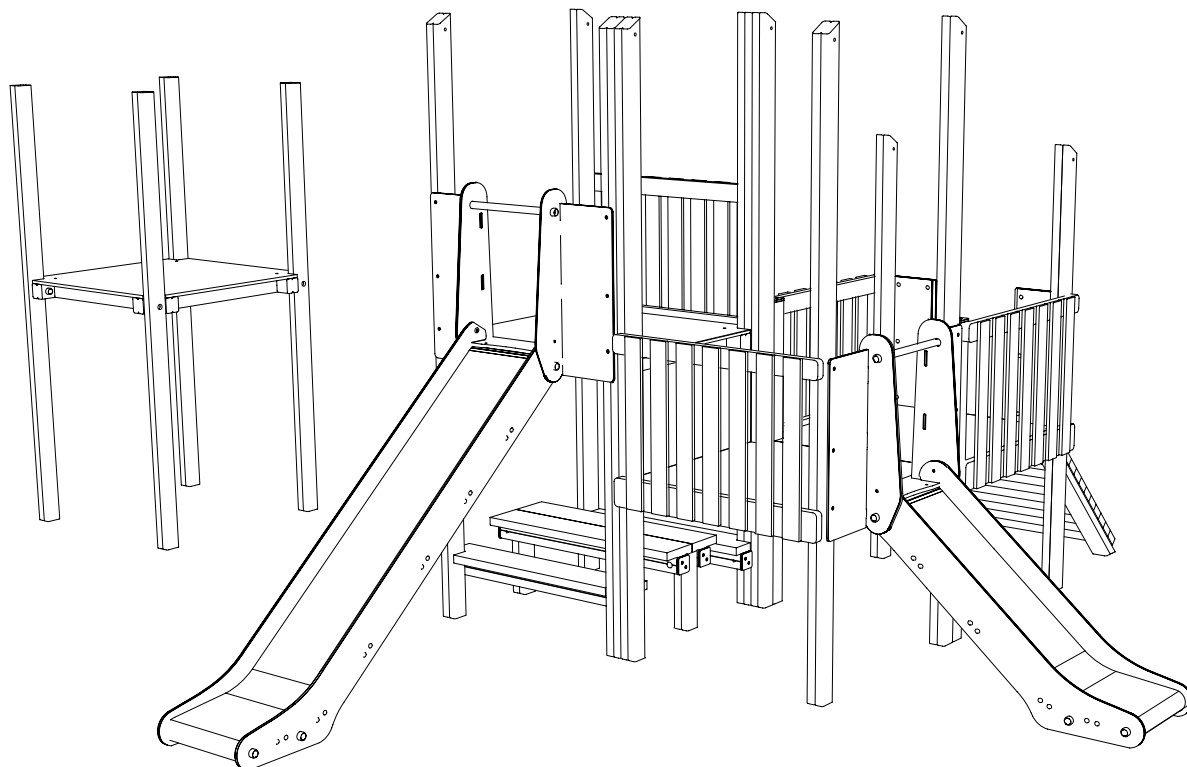
SCREW WO-TABLE SEATS TO JIG1502 TIMBERS ON EACH SIDE

350MM FLOOR TO SEAT TOP HEIGHT - USING M8X180 SCREWS



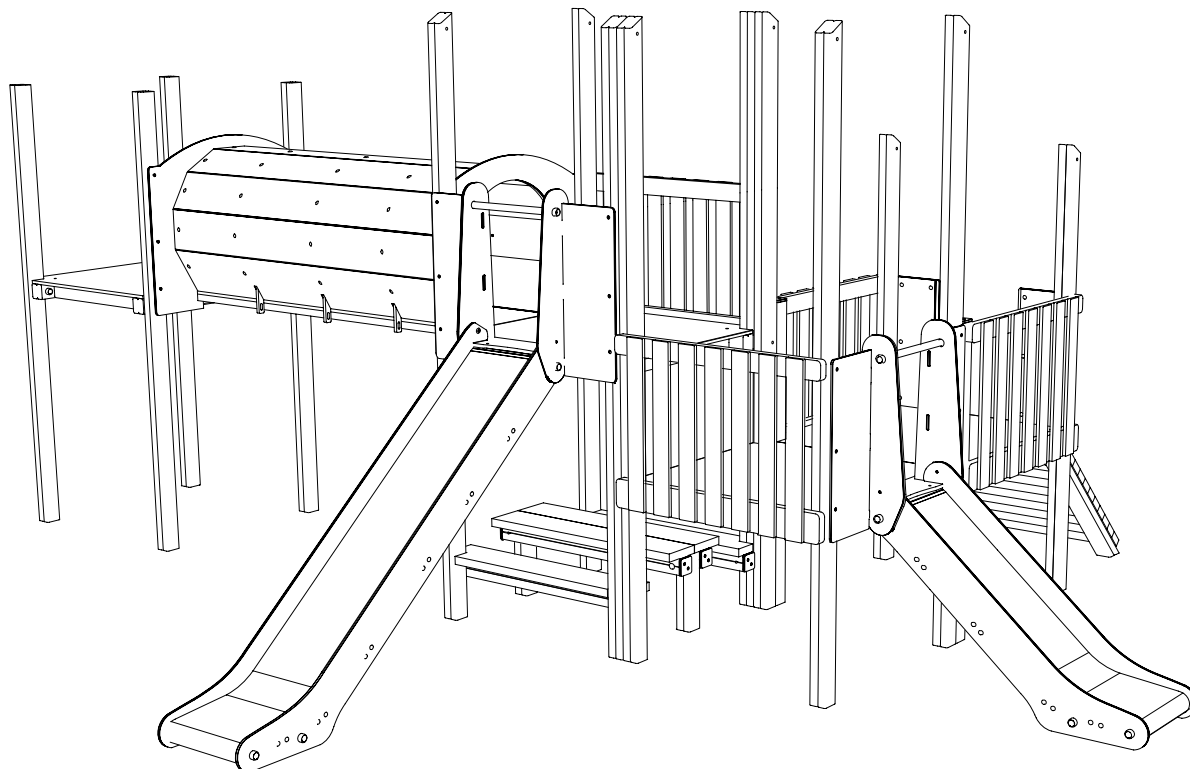
6

INSTALL WO110 SPECIFIC 1.5M PLATFORM INTO THE GROUND

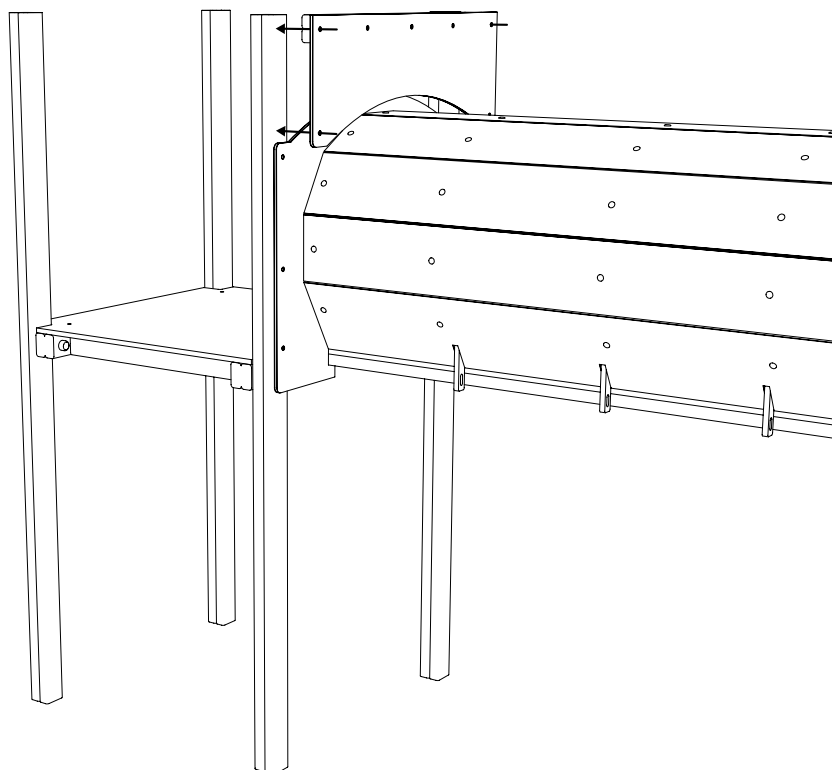


INSTALLATION INSTRUCTIONS

- 7** **INSTALL JIG207 TO BESPOKE 1.5M PLATFORM AND JIG1511**
AS PER STANDARD INSTRUCTIONS



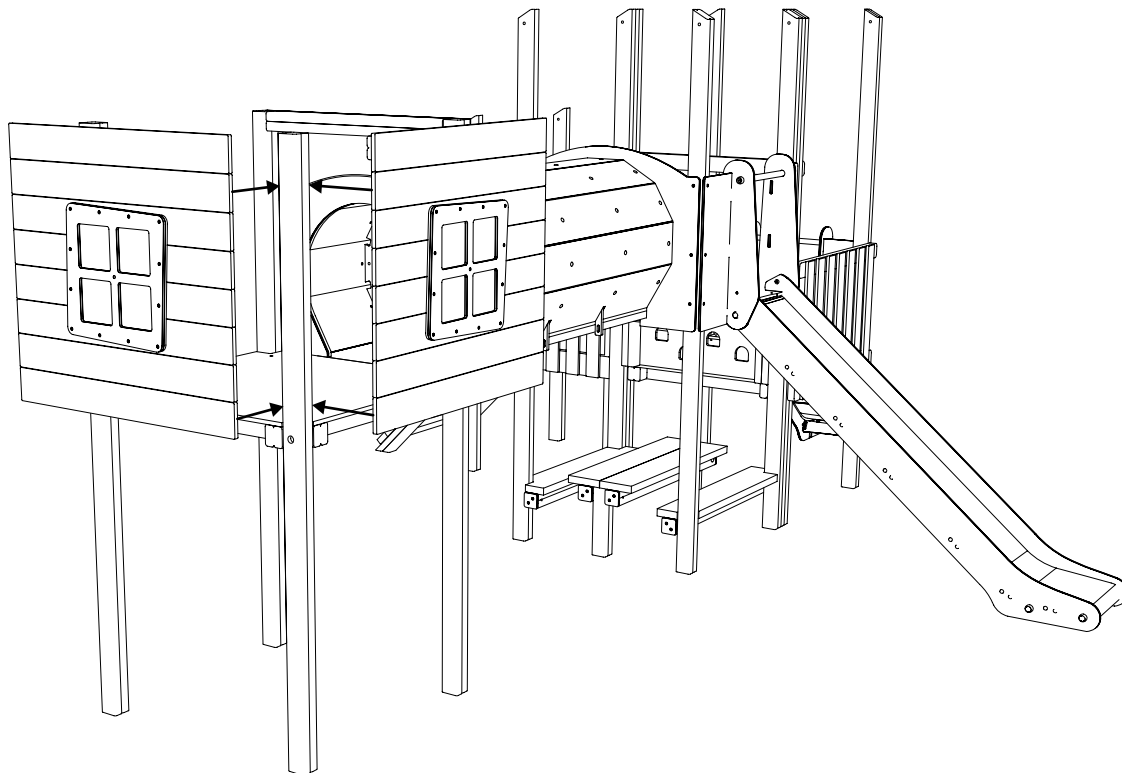
- 8** **ATTACH W0110 SPECIFIC PLAYTEC COVER PANEL ABOVE CRAWLING TUBE**
USING M8X80 SCREWS



INSTALLATION INSTRUCTIONS

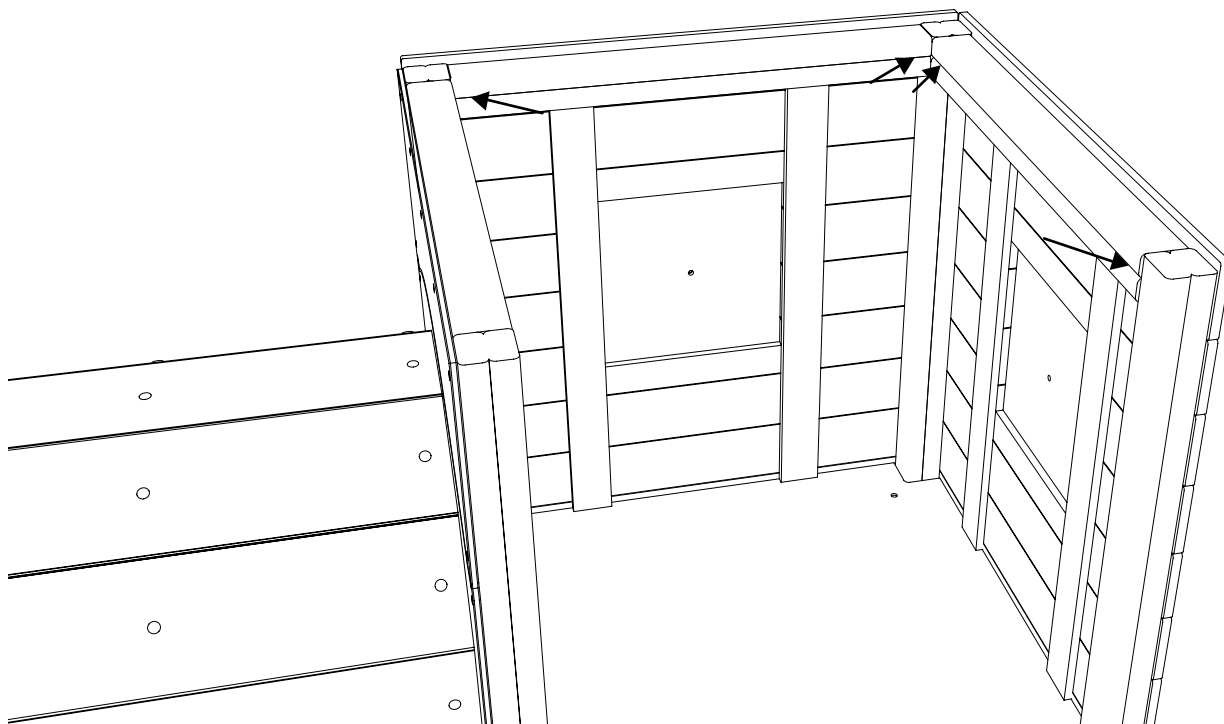
9

ATTACH 2X WINDOW PANELS TO BESPOKE 1.5M PLATFORM
USING M8X80 SCREWS



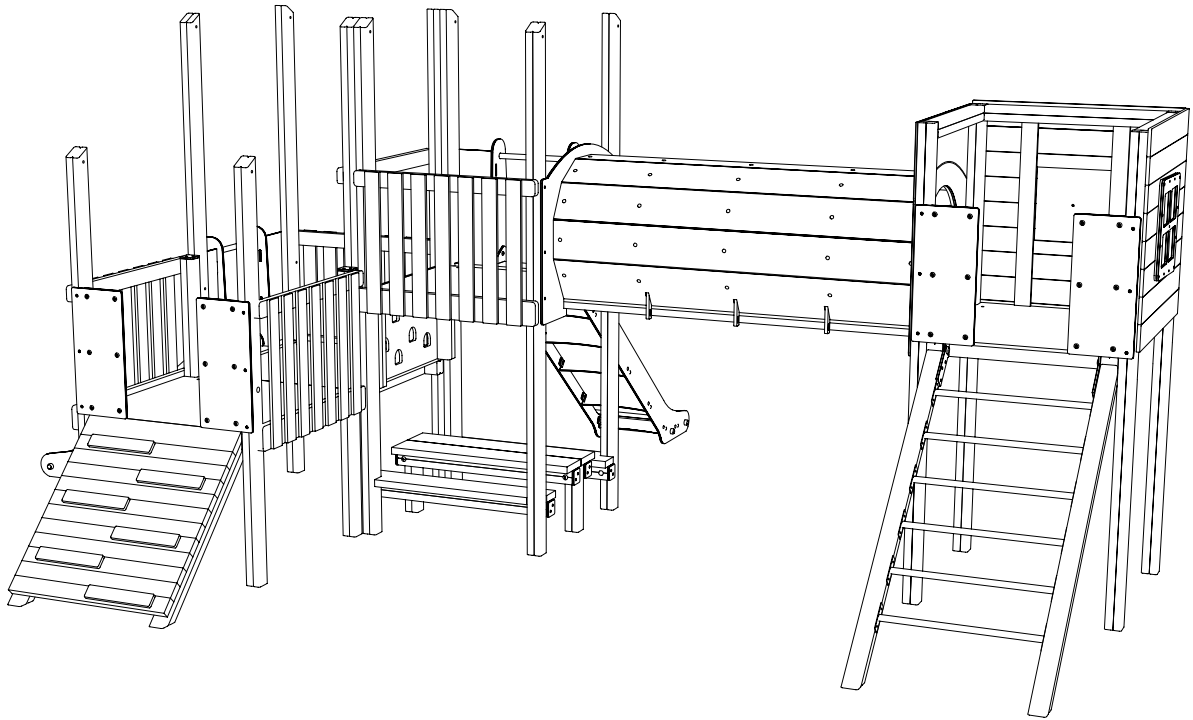
10

SKEW SCREW 90X90 TIMBERS FROM PANELS INTO UPRIGHTS
USING M8X80 SCREWS



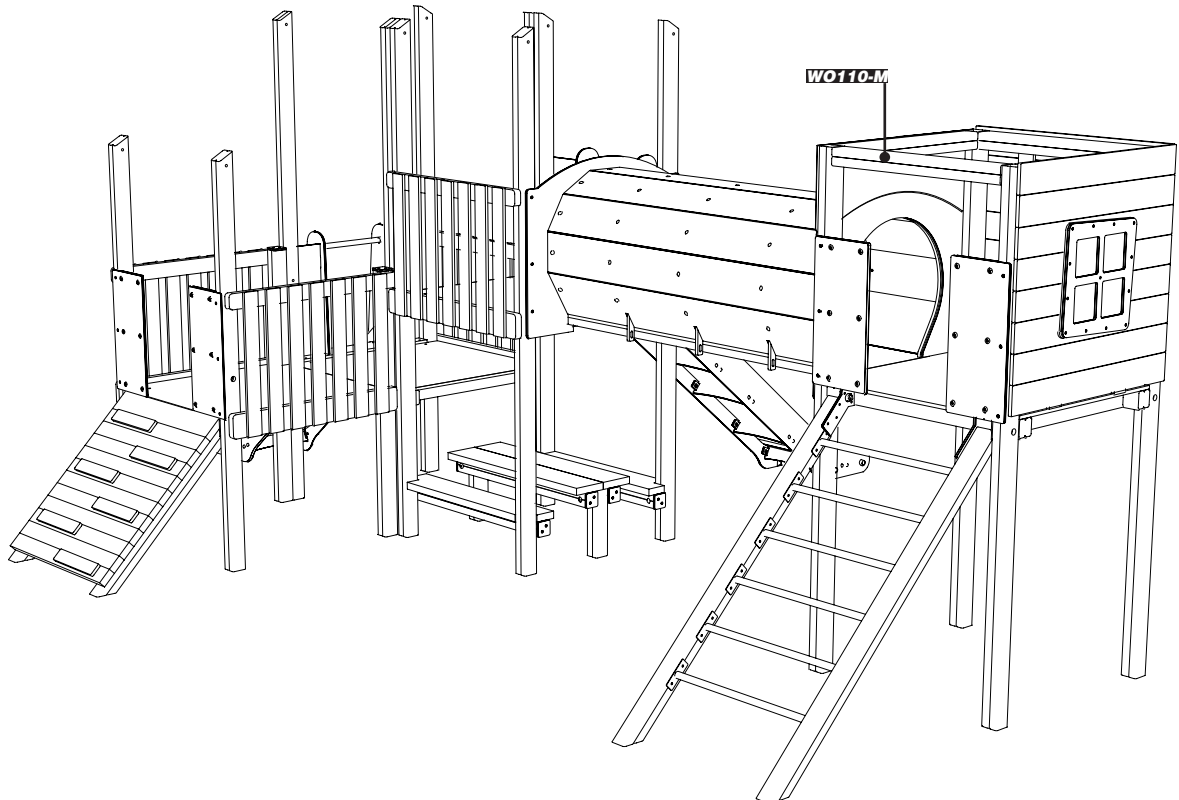
11

INSTALL JIG1519 AS PER STANDARD INSTRUCTIONS
USING M8X80 SCREWS



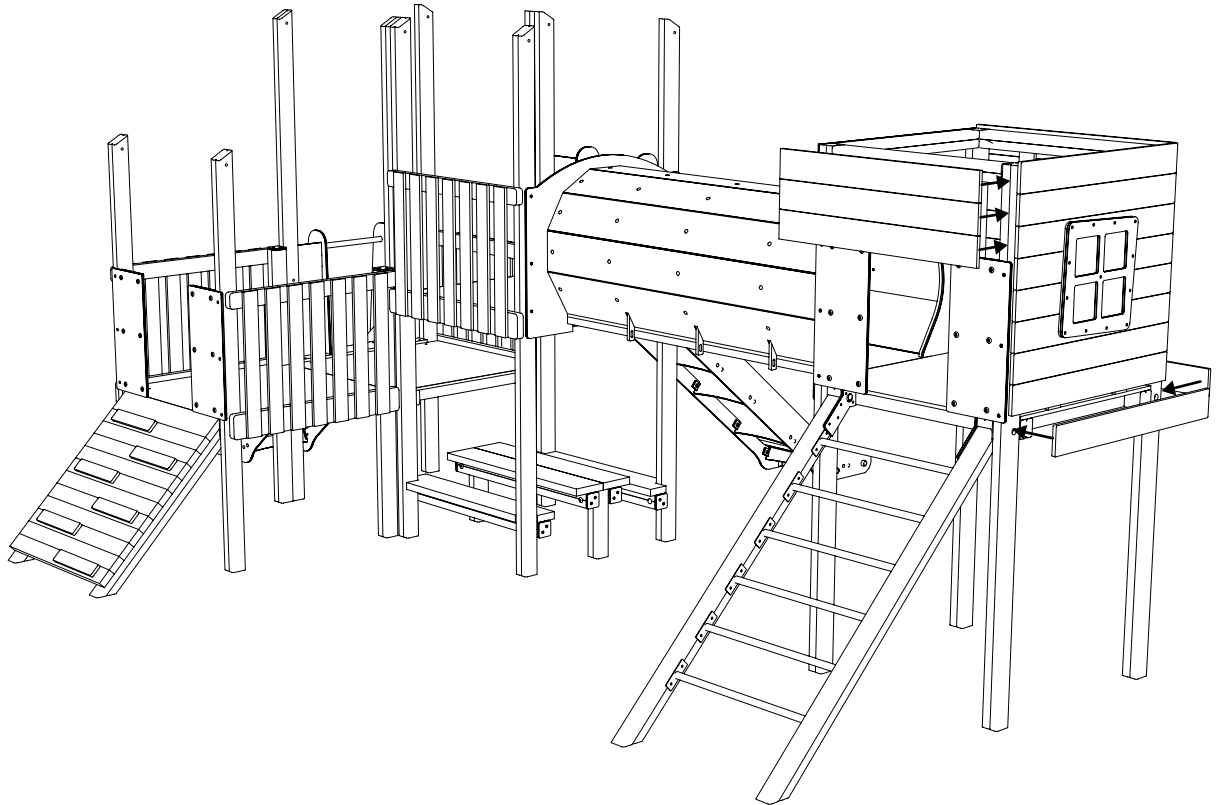
12

SKEW SCREW LOOSE WO110-M ON RAMP SIDE LEVEL WITH OTHERS
USING M8X180 SCREWS



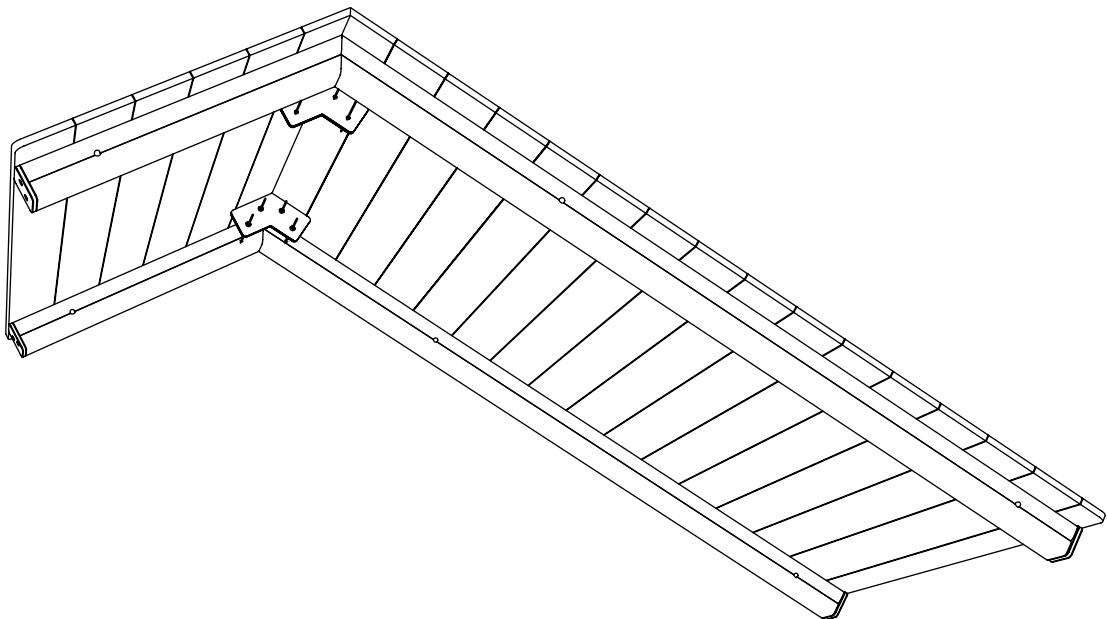
13

ATTACH 5X W0110-L TRIM PIECES AS SHOWN
USING M8X80 SCREWS



14

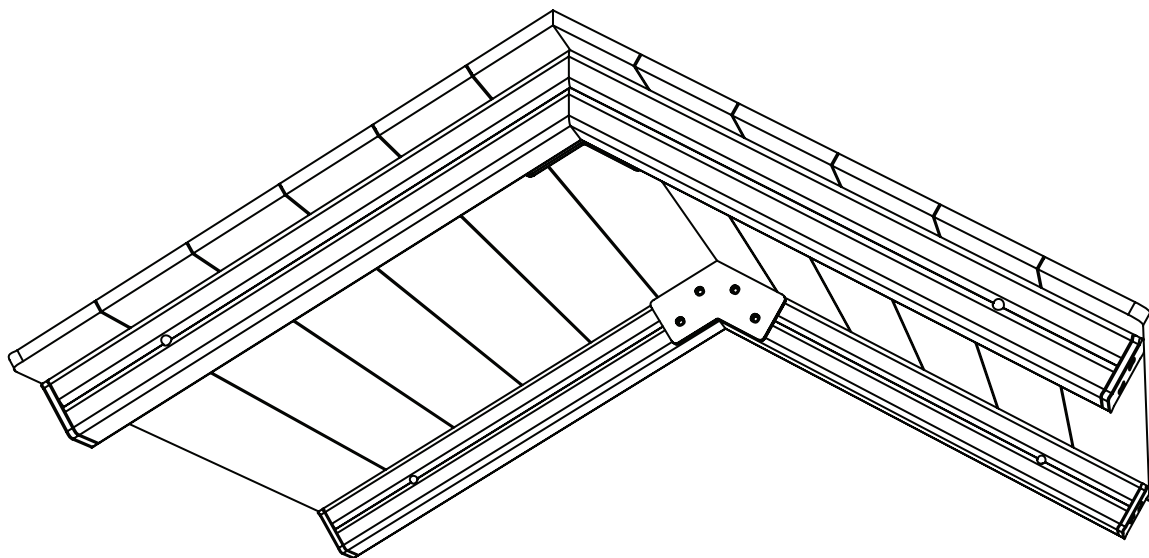
SCREW 1X ROOF ASSEMBLY B AND LARGE ROOF SECTION TOGETHER
USING M8X80 SCREWS



INSTALLATION INSTRUCTIONS

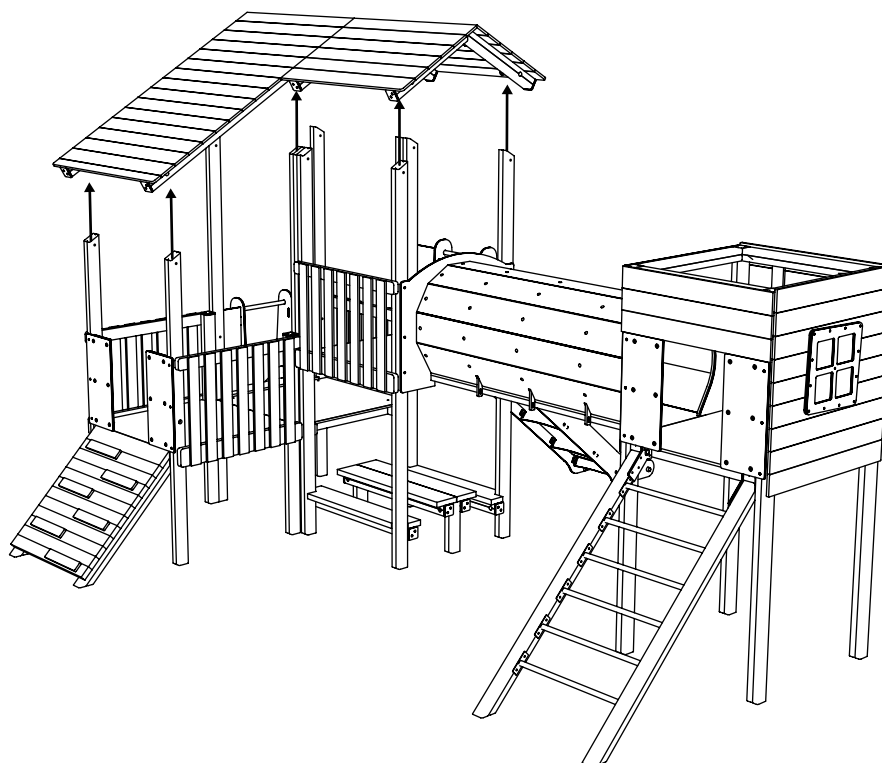
15

SCREW 1X ROOF ASSEMBLY B AND ROOF ASSEMBLY B
AS PER STANDARD INSTRUCTIONS



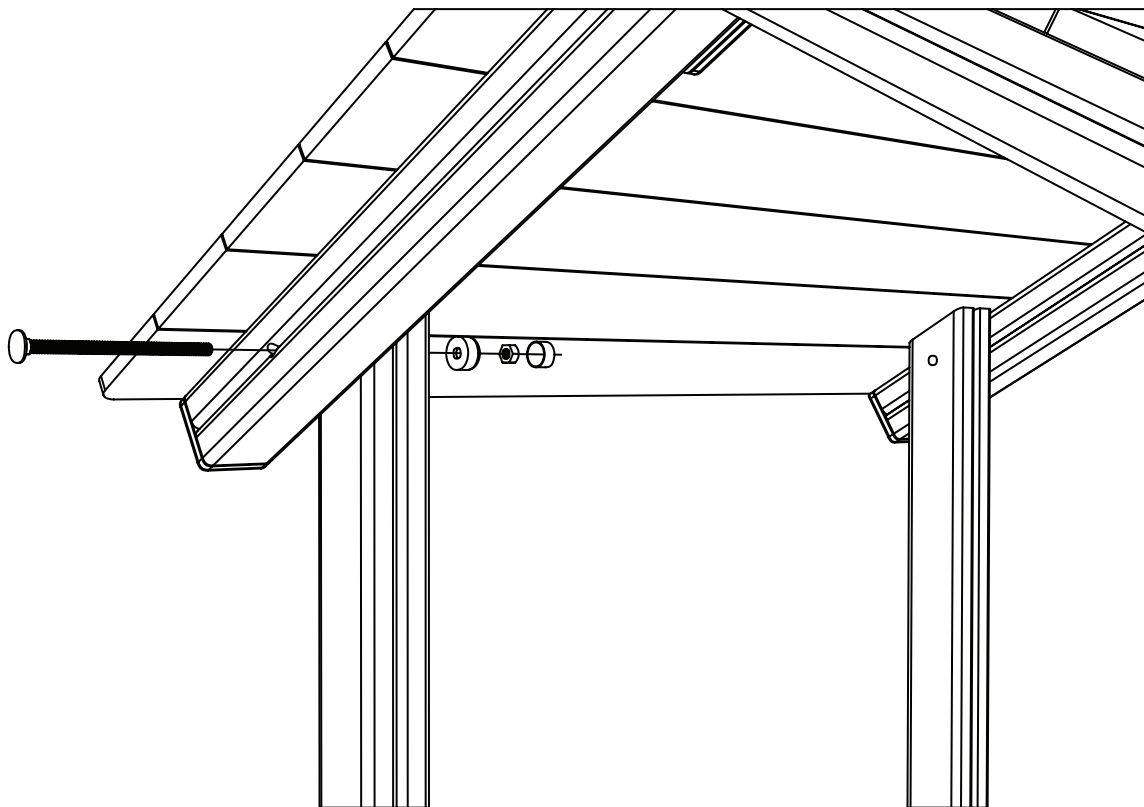
16

POSITION ROOF SECTION INTO PLACE

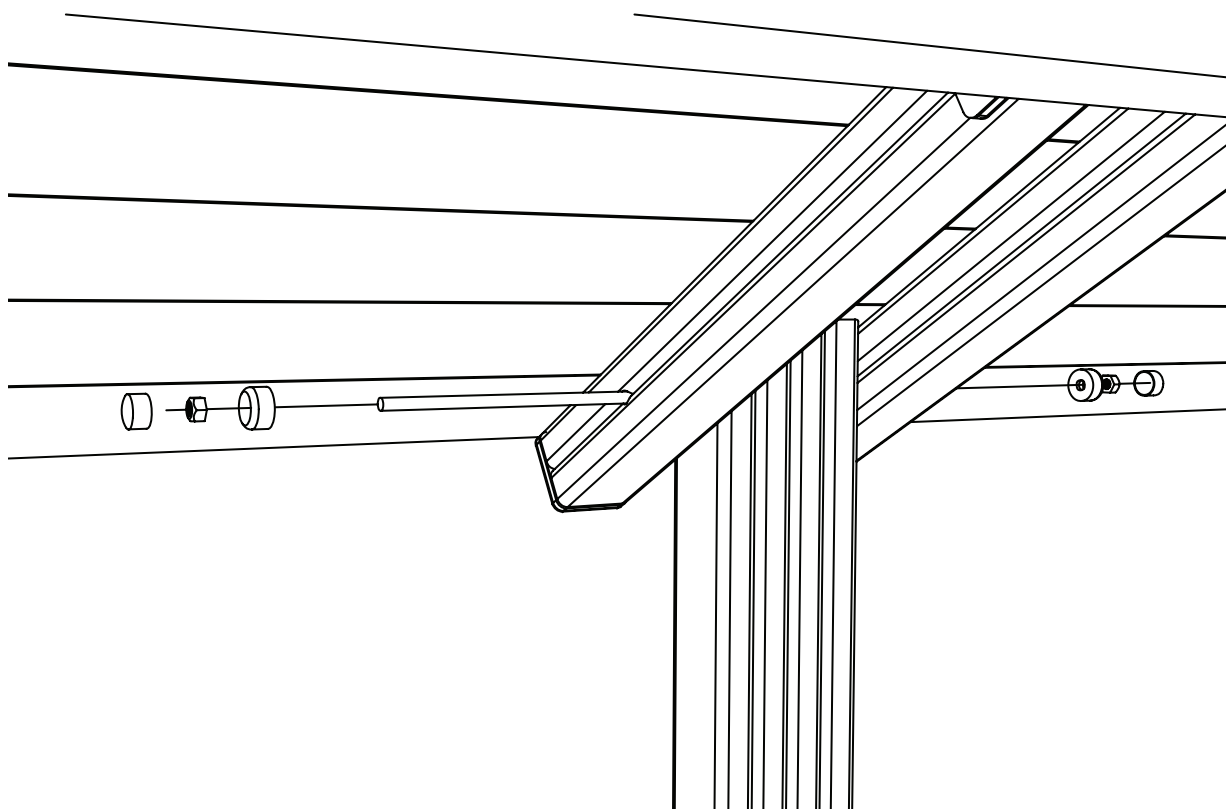


INSTALLATION INSTRUCTIONS

- 17** ATTACH ASSEMBLED ROOF TO PLATFORM UPRIGHTS
AS PER STANDARD INSTRUCTIONS



- 18** SCREW 1X ROOF ASSEMBLY B AND LARGE ROOF SECTION TOGETHER
USING M8X80 SCREWS

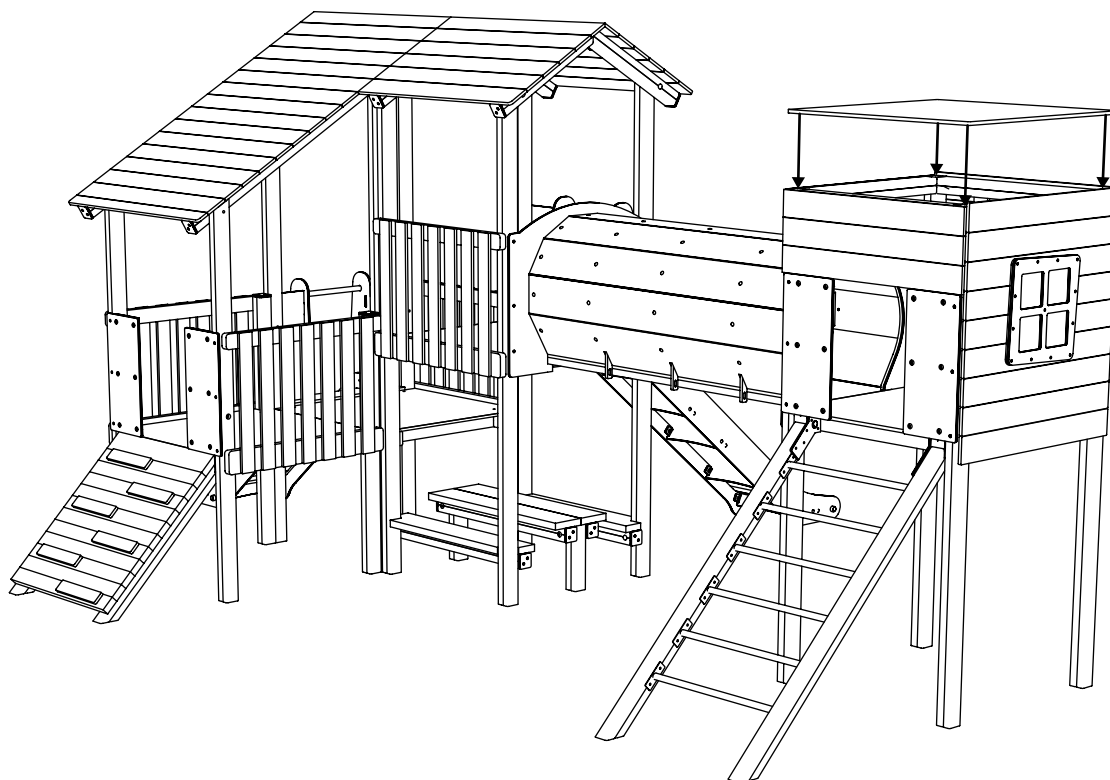


INSTALLATION INSTRUCTIONS

19

ATTACH HEXA DEN ROOF TO DEN PLATFORM UPRIGHTS

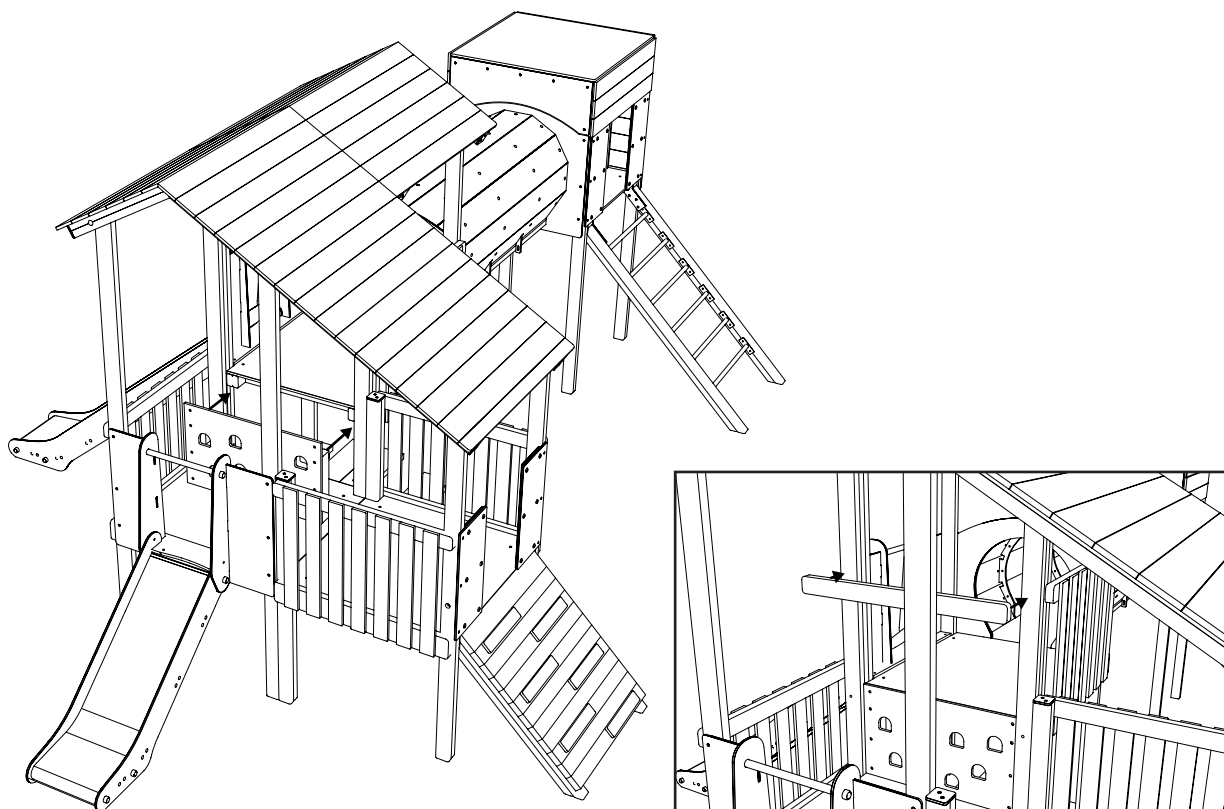
USING M8X80 SCREWS



20

INSTALL SPLIT LEVEL CLIMBER AND BARRIER (W0110-T) IN LINE WITH JIG102

USING M8X80 AND M8X180 SCREWS



ADDITIONAL MEASUREMENTS
