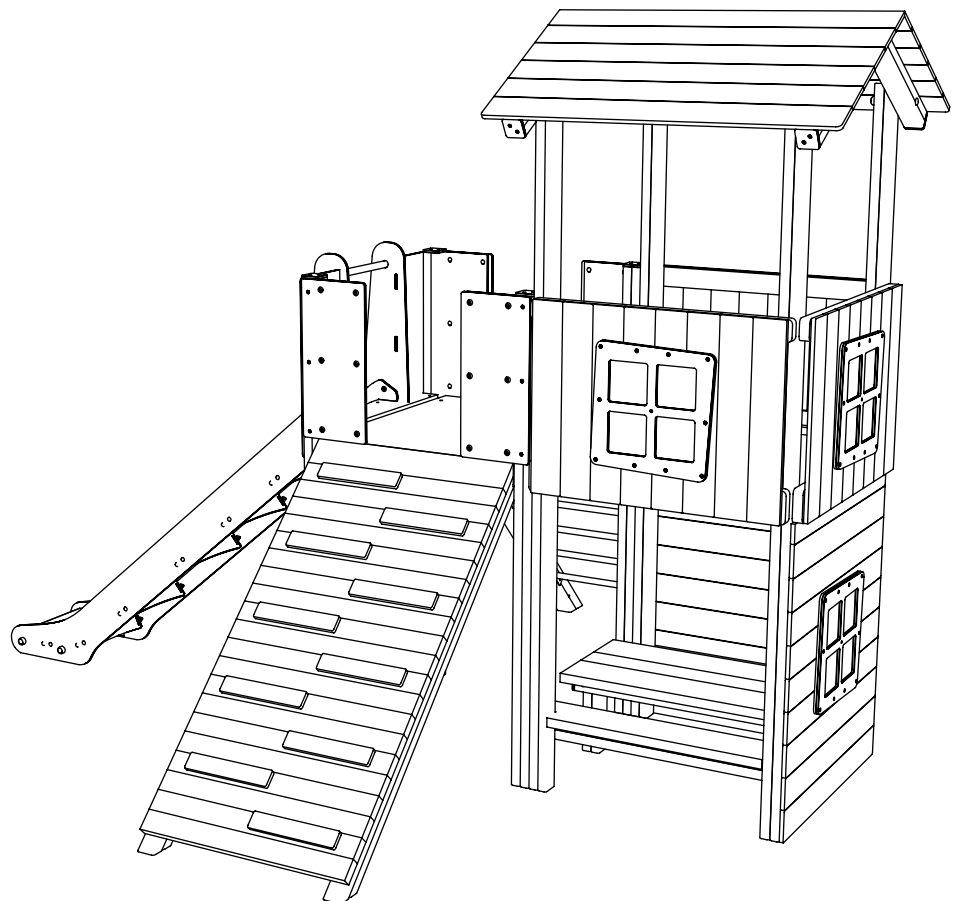
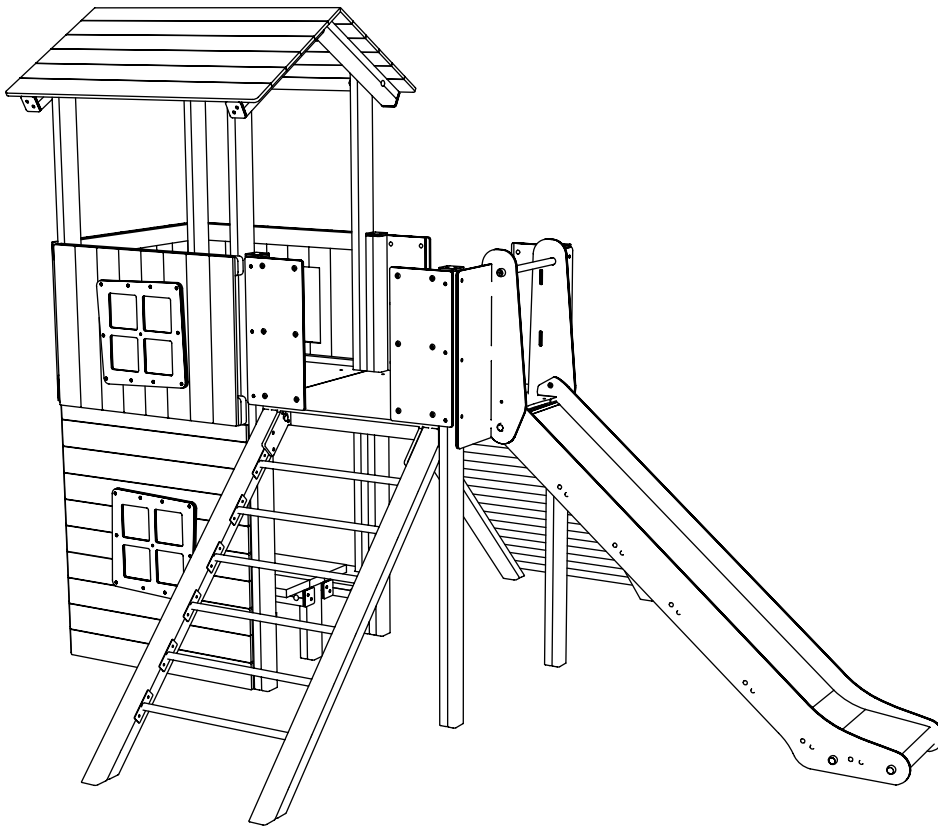


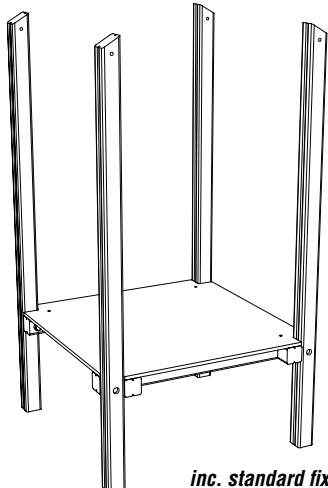
# WO103 - THETFORD

## Installation Instructions

creative  
play

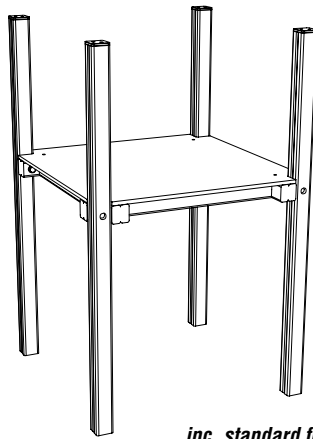


# PARTS REQUIRED



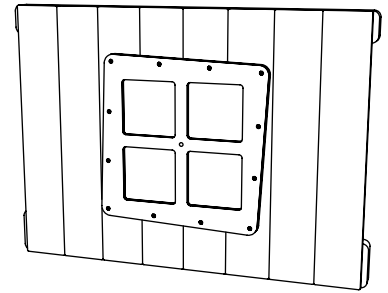
*inc. standard fixings*

**STANDARD JIGSAW PART**  
**JIG1502 - ROOF PLATFORM - 1.5M**



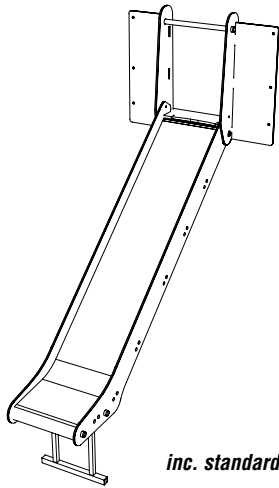
*inc. standard fixings*

**STANDARD JIGSAW PART**  
**JIG1501 - PLATFORM - 1.5M**



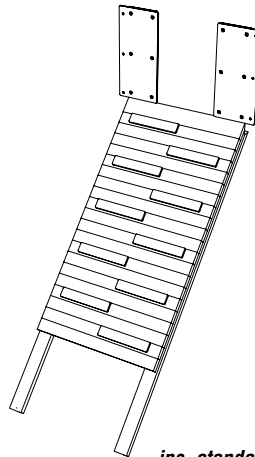
*inc. standard fixings*

**STANDARD JIGSAW PART**  
**JIG111 - GUARD RAIL [X3]**



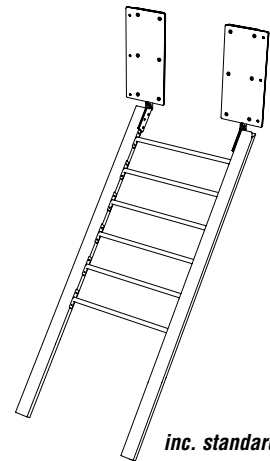
*inc. standard fixings*

**STANDARD JIGSAW PART**  
**JIG1511 - SLIDE - 1.5M**



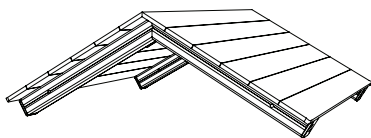
*inc. standard fixings*

**STANDARD JIGSAW PART**  
**JIG1513 - RAMP - 1.5M**



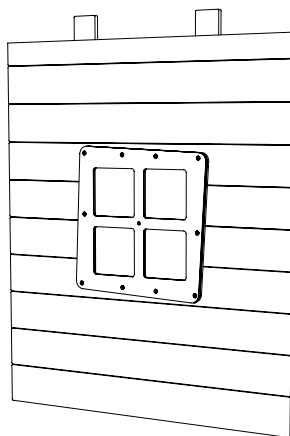
*inc. standard fixings*

**STANDARD JIGSAW PART**  
**JIG1519 - INCLINED RUNG LADDER - 1.5M**

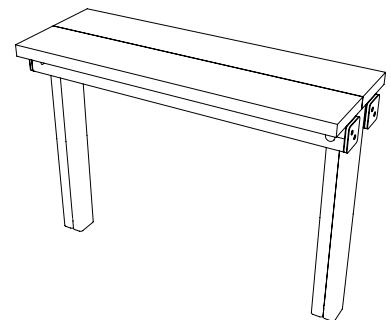


*inc. standard fixings*

**STANDARD JIGSAW PART**  
**JIG103 - ROOF - TIMBER**



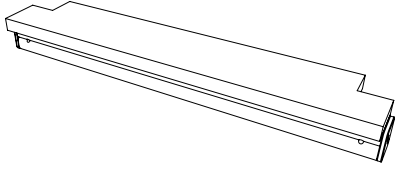
**W0103 SPECIFIC PART**  
**LARGE WINDOW PANELS**



**W0103 SPECIFIC PART**  
**WOODLANDER TABLE**

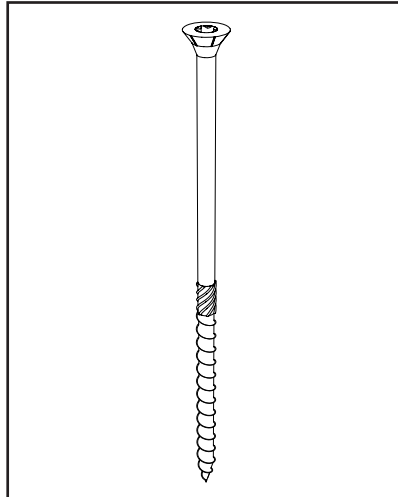
# ***PARTS REQUIRED***

---



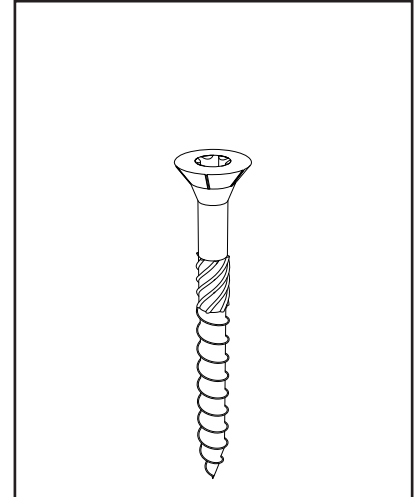
***W0103 SPECIFIC PART***

***WOODLANDER SEATS***



***W0103 - EXTRA FIXINGS***

***M8X180 SCREWS [X8]***



***W0103 - EXTRA FIXINGS***

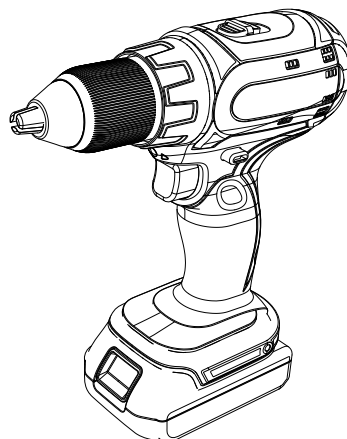
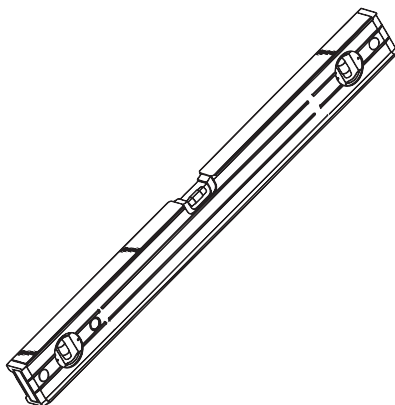
***M8X80 SCREWS [X40]***

***FOR ANY STANDARD JIGSAW  
PART USE THE STANDARD  
JIGSAW INSTALLATION  
INSTRUCTIONS***

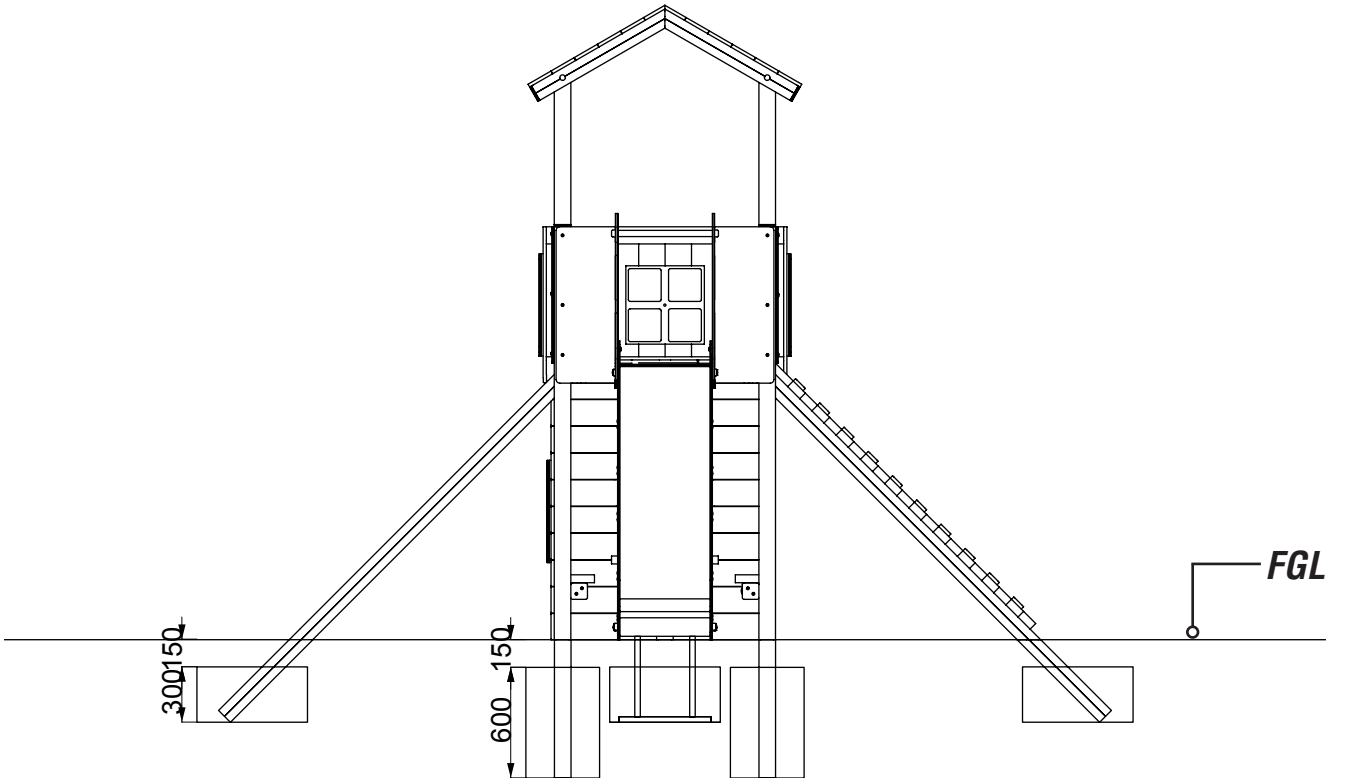
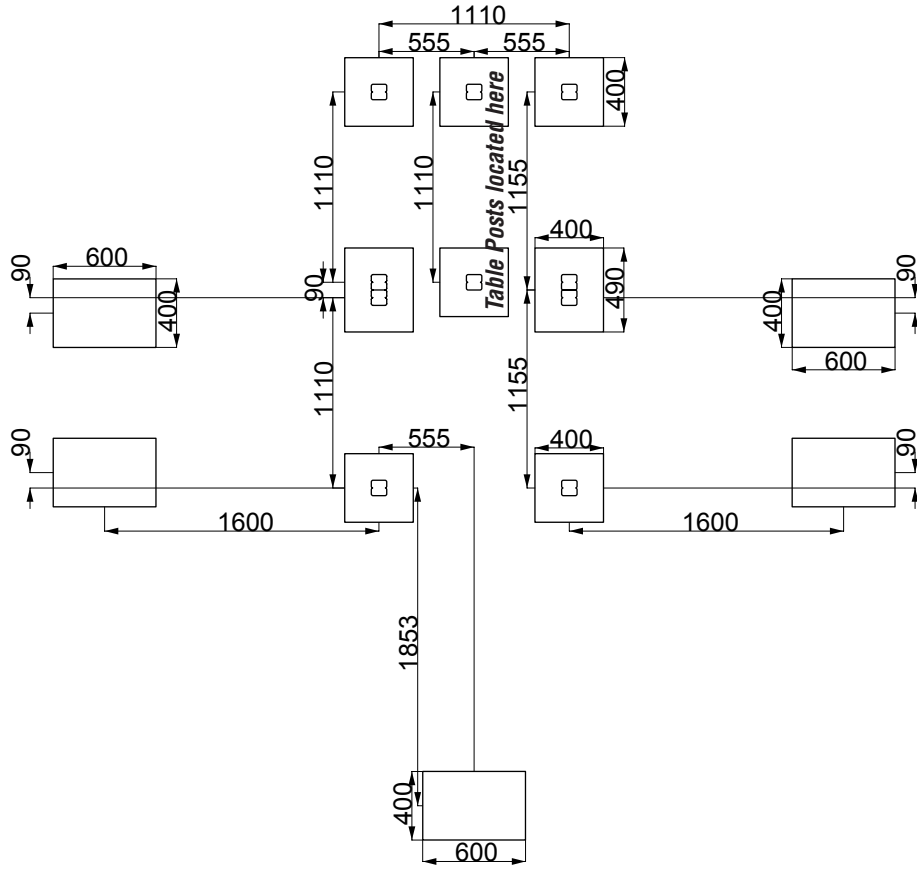
***STANDARD JIGSAW PART***

# ***TOOLS REQUIRED***

---



# FOUNDATION DETAIL

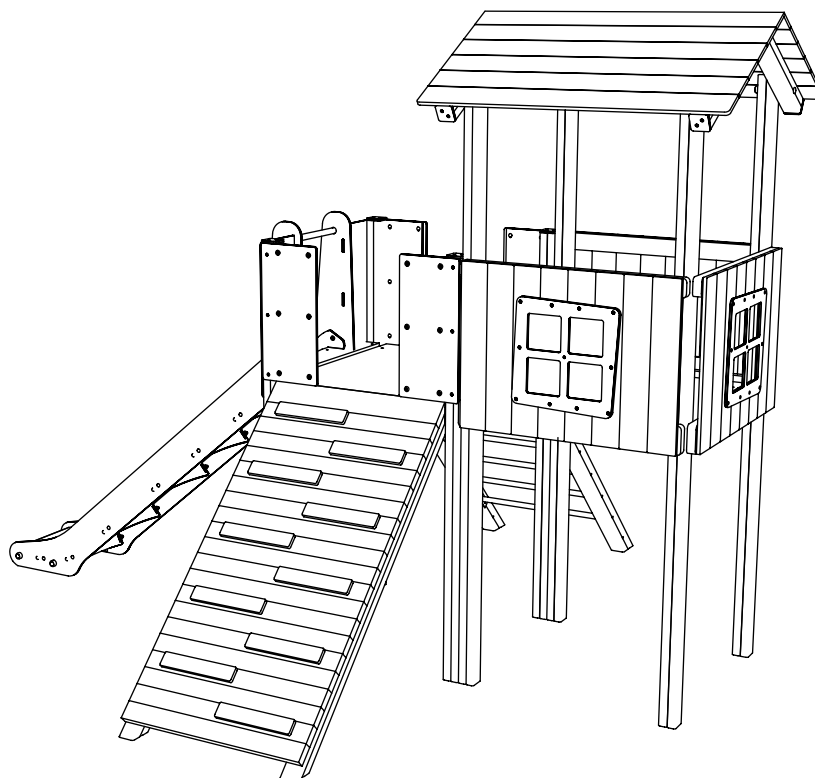




# INSTALLATION INSTRUCTIONS

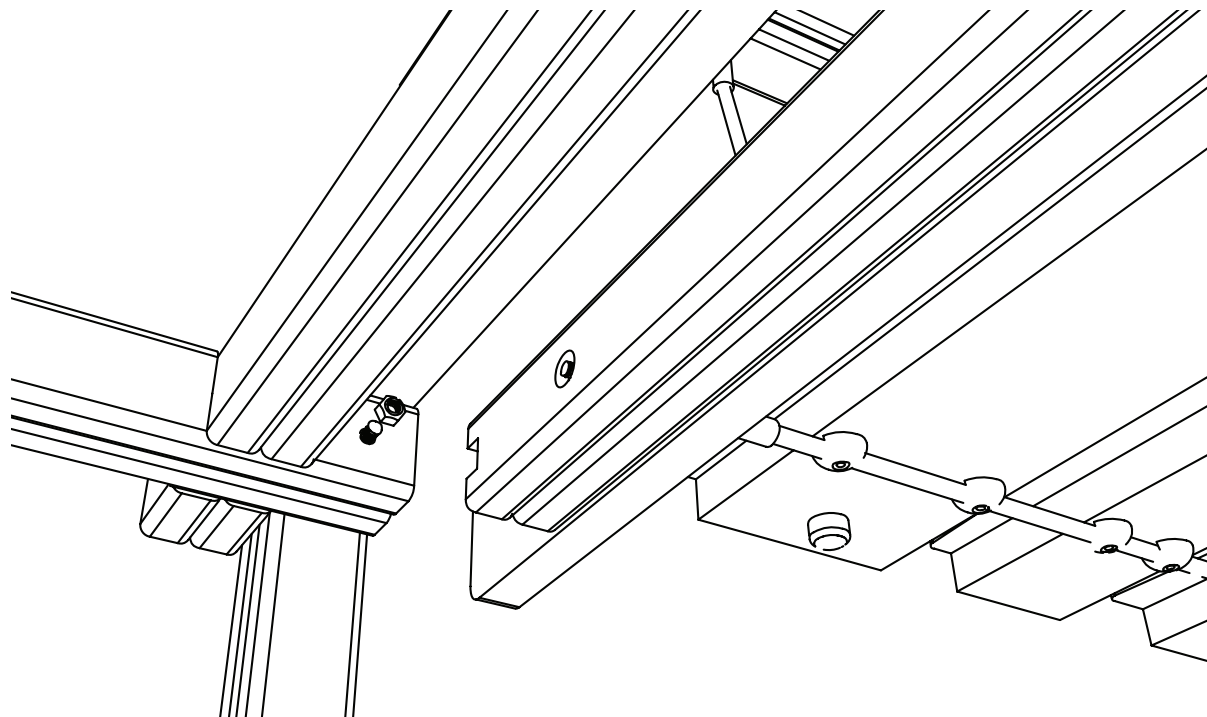
**1**

**INSTALL ALL STANDARD JIGSAW PARTS AS PER STANDARD INSTRUCTIONS**  
UNIT SHOULD LOOK LIKE THIS



**2**

**PLEASE NOTE - END CAPS MAY NOT BE REQUIRED**  
SOME ATTACHEMENT PARTS MEAN END CAPS ARE NOT REQUIRED



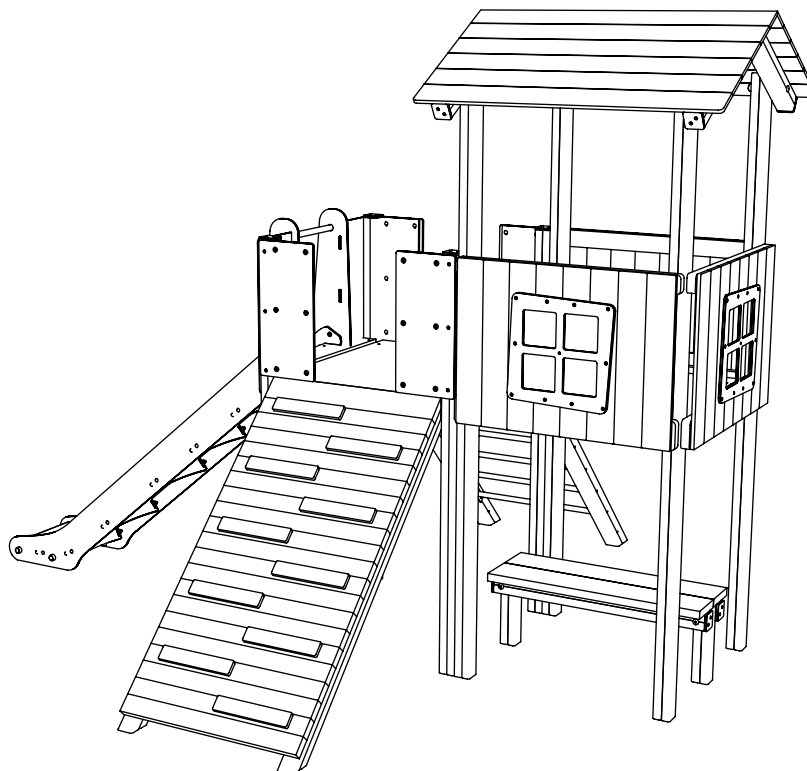
**NOTES:**

TIMBER SUPPORT IS CUT TO FIT AROUND THE NYLOC - CIRCLED ABOVE

# INSTALLATION INSTRUCTIONS

**3**

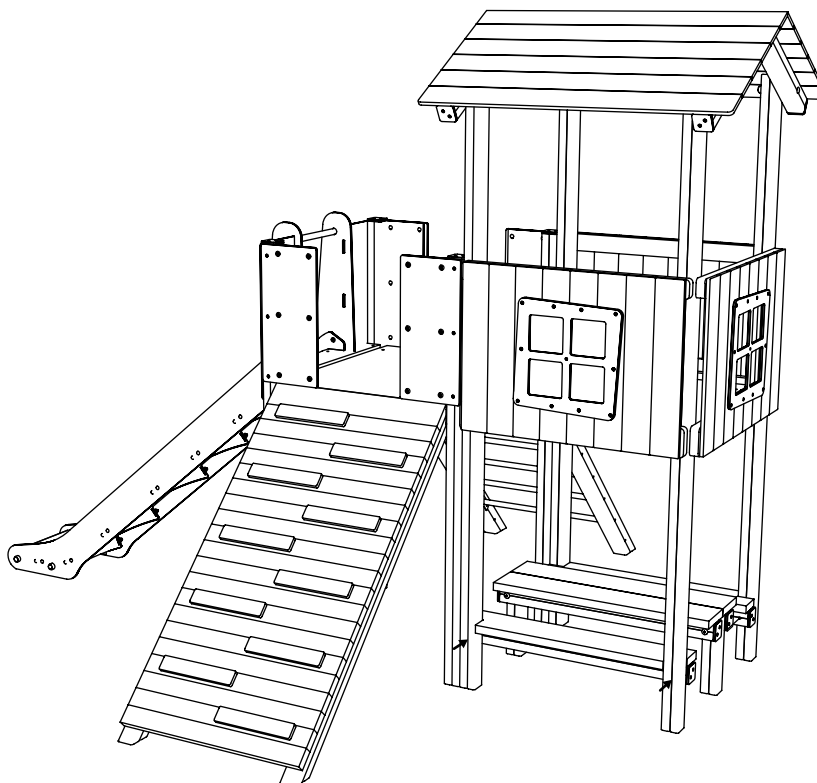
**INSTALL WO-TABLE ASSEMBLY INTO THE GROUND**



**4**

**SCREW WO-TABLE SEATS TO JIG1502 TIMBERS ON EACH SIDE**

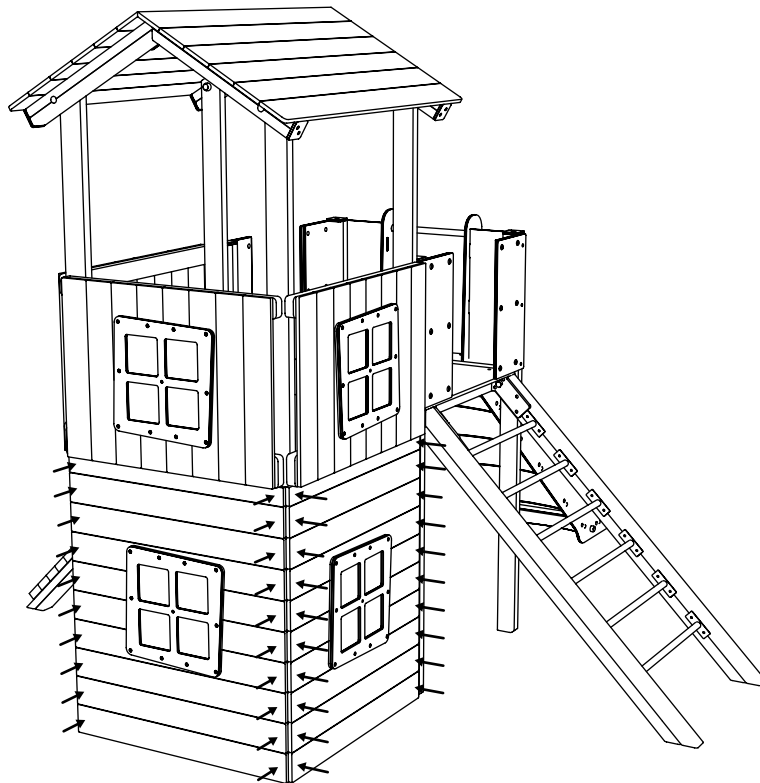
*350MM FLOOR TO SEAT TOP HEIGHT - USING M8X180 SCREWS*



---

**5**

**INSTALL BOTH LARGE WINDOW PANELS - ONE SIDE, ONE BACK**  
*USING M8X80 WOOD SCREWS*





# ADDITIONAL MEASUREMENTS

---

