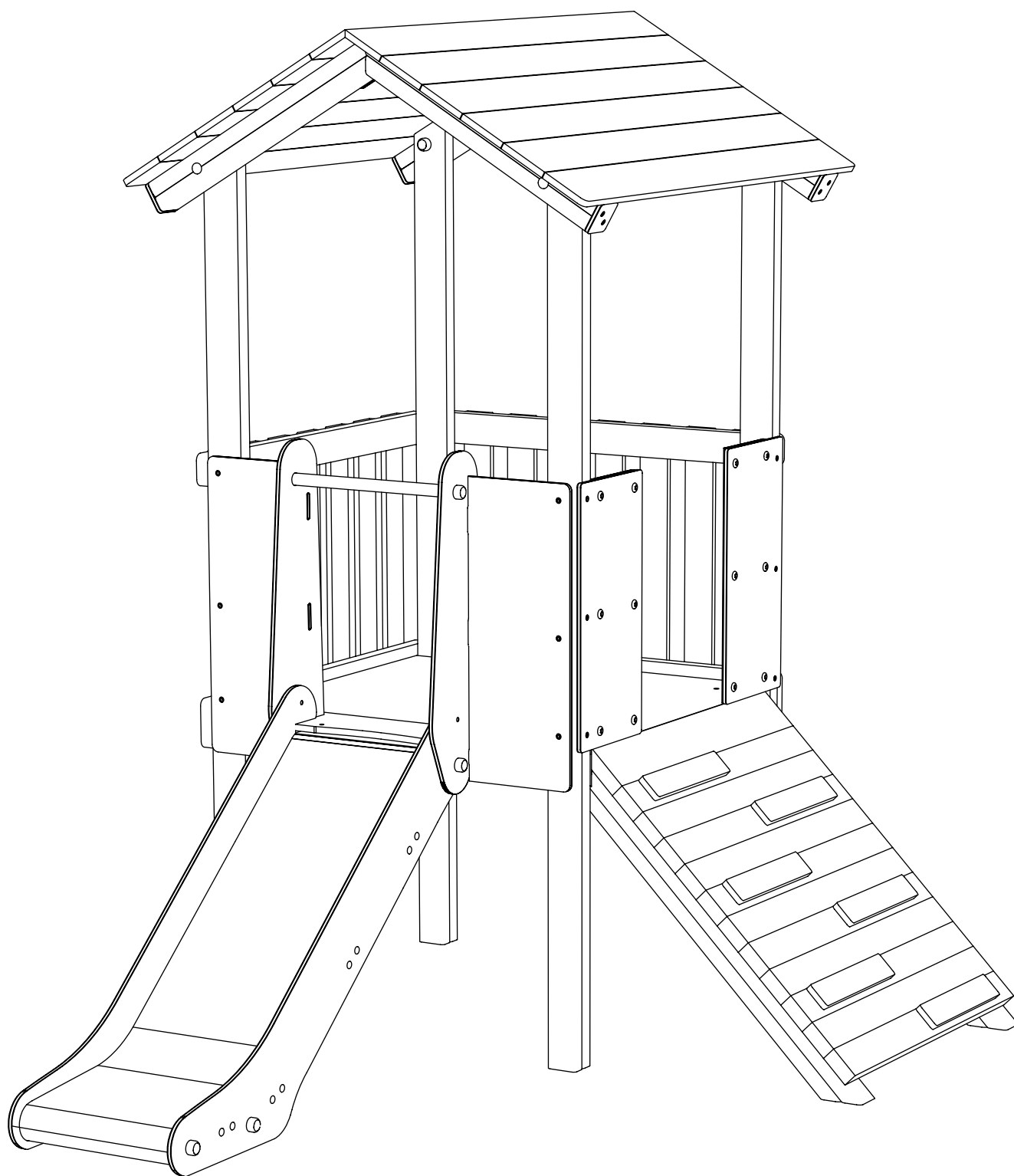


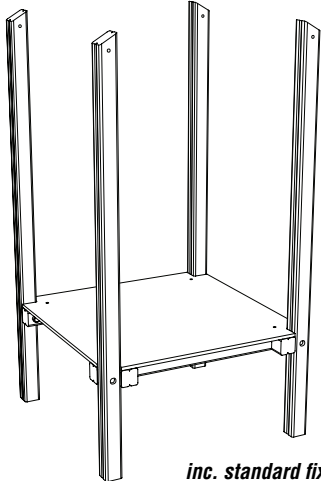
WO102 - GREENWOOD

Installation Instructions

**creative
play**

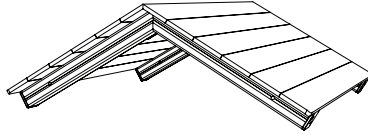


PARTS REQUIRED



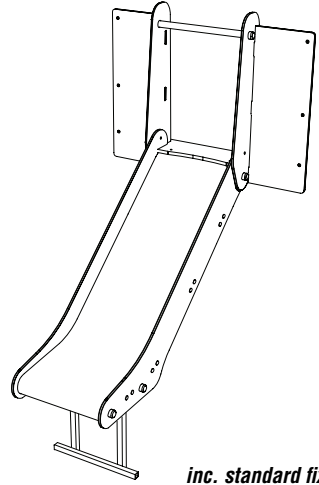
inc. standard fixings

STANDARD JIGSAW PART
JIG902 - PLATFORM - ROOF - 0.9M



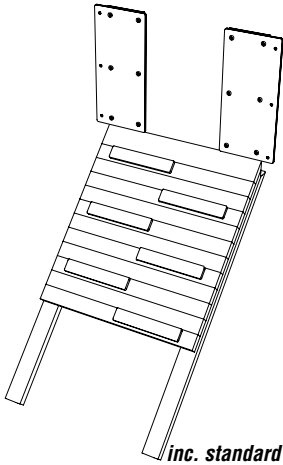
inc. standard fixings

STANDARD JIGSAW PART
JIG103 - ROOF - TIMBER



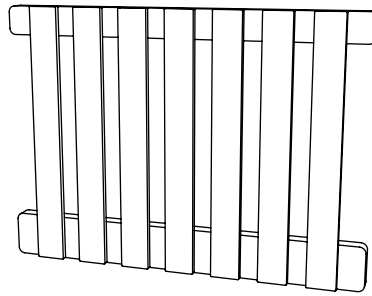
inc. standard fixings

STANDARD JIGSAW PART
JIG911 - SLIDE - 0.9M



inc. standard fixings

STANDARD JIGSAW PART
JIG913 - RAMP - 0.9M

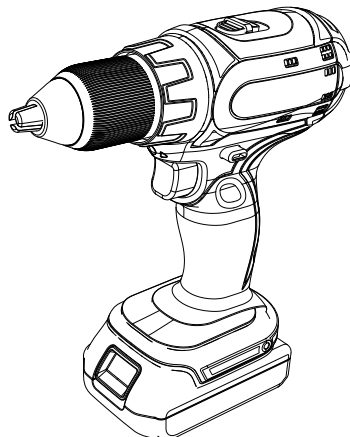
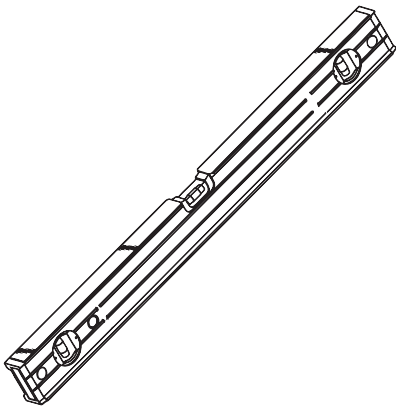


inc. standard fixings

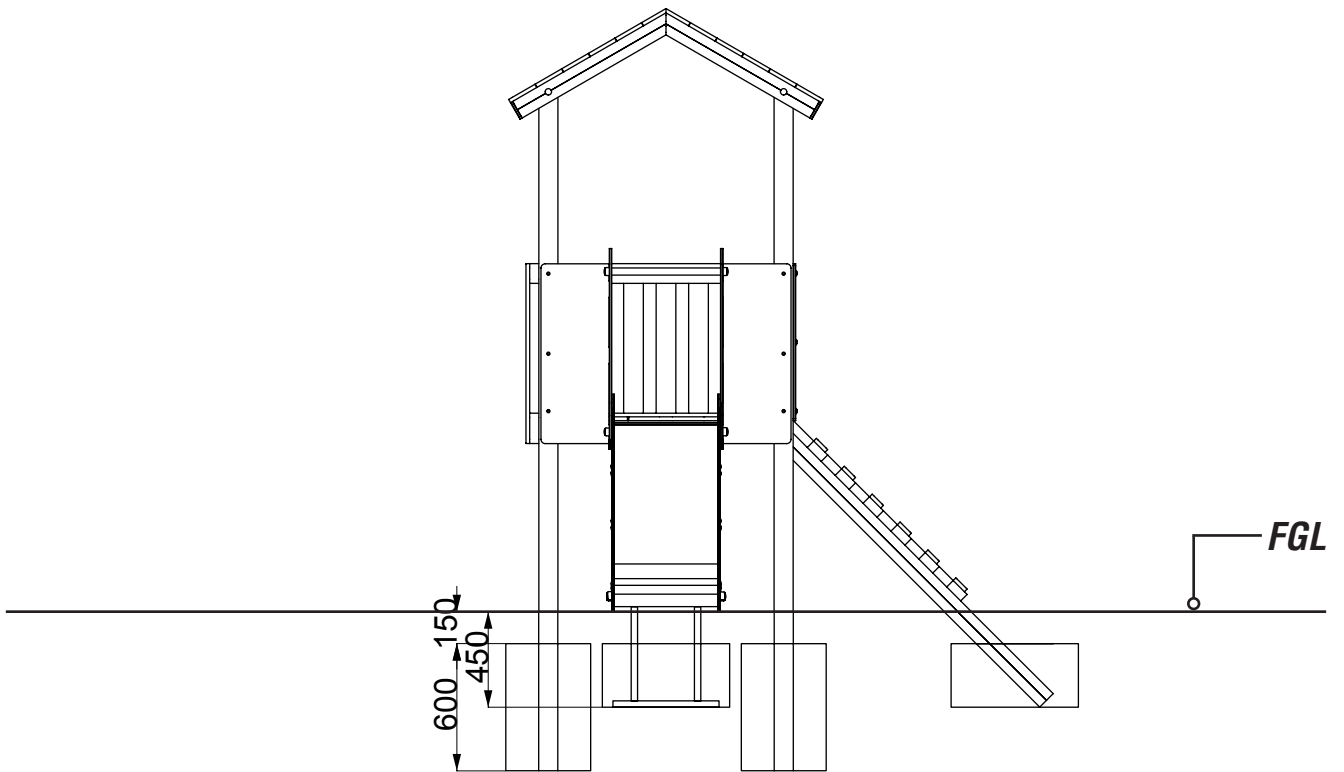
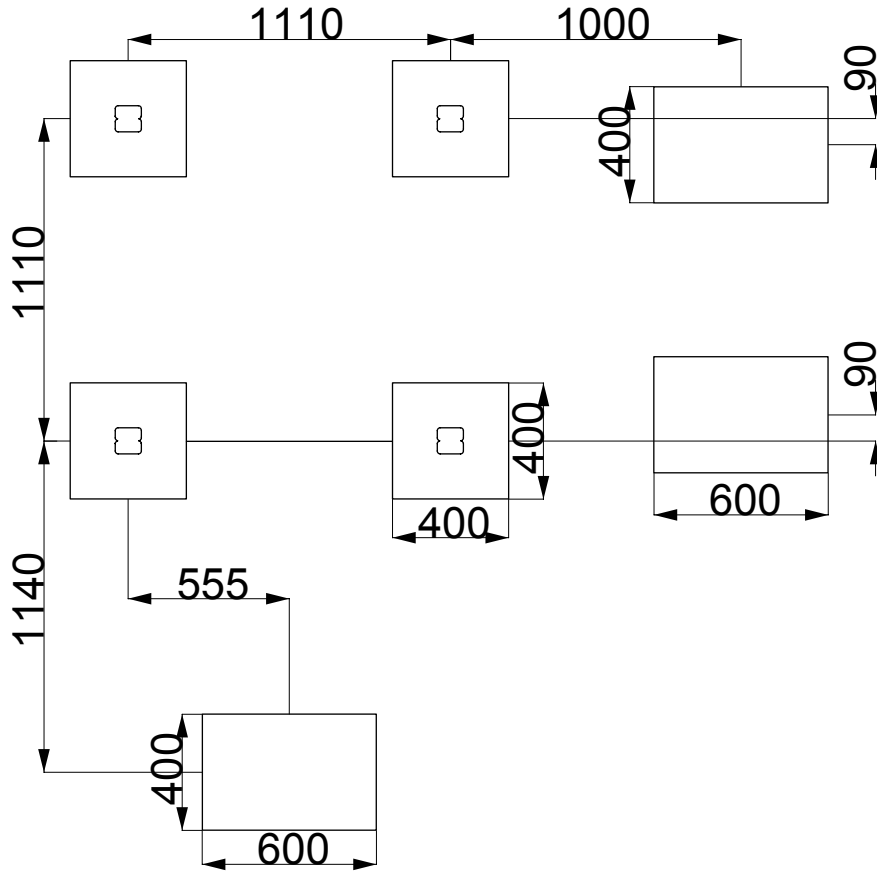
STANDARD JIGSAW PART
JIG111 - GUARD RAIL - WINDOW [X2]

**FOR ANY STANDARD JIGSAW
PART USE THE STANDARD
JIGSAW INSTALLATION
INSTRUCTIONS**

TOOLS REQUIRED

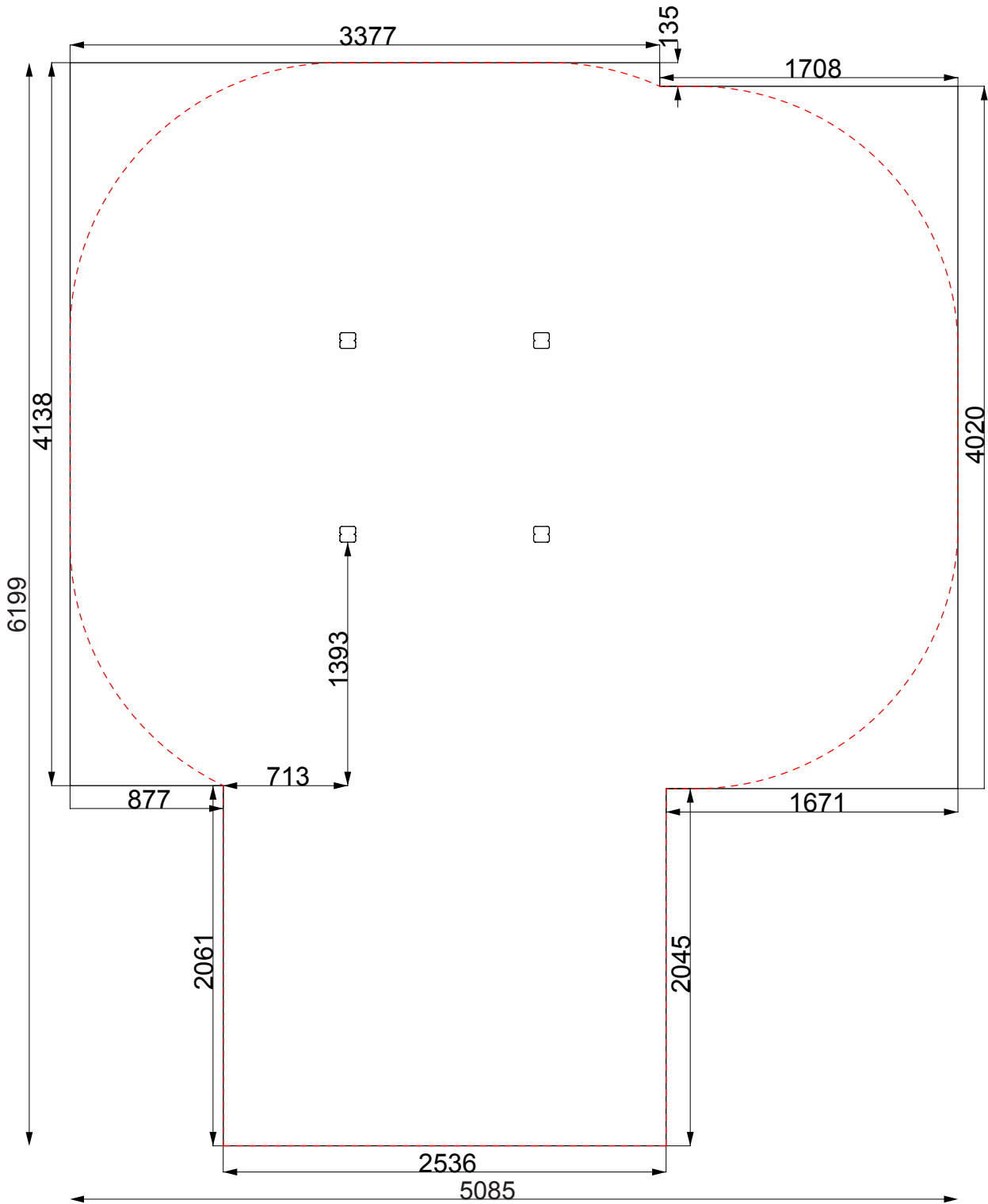


FOUNDATION DETAIL



SURFACING - OVERALL AREA

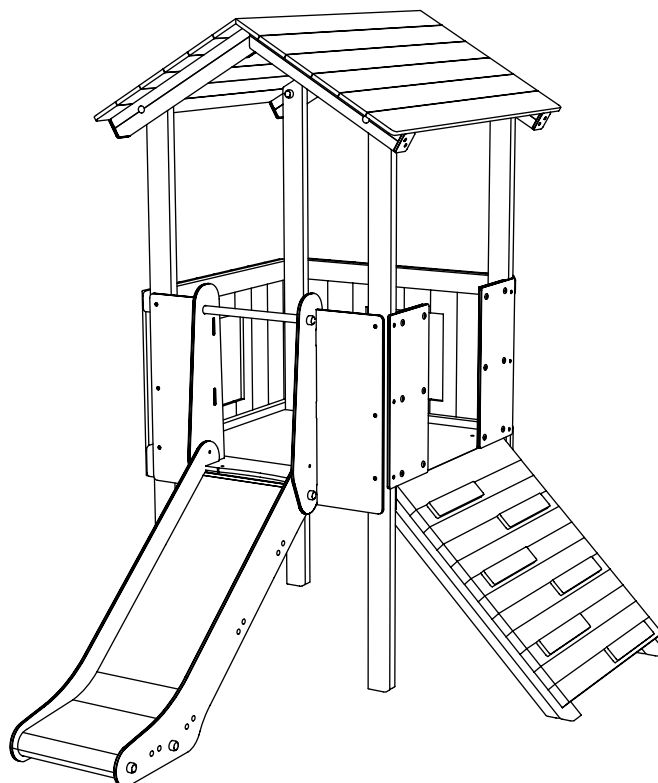
----- = MINIMUM SPACE
————— = SURFACE AREA



INSTALLATION INSTRUCTIONS

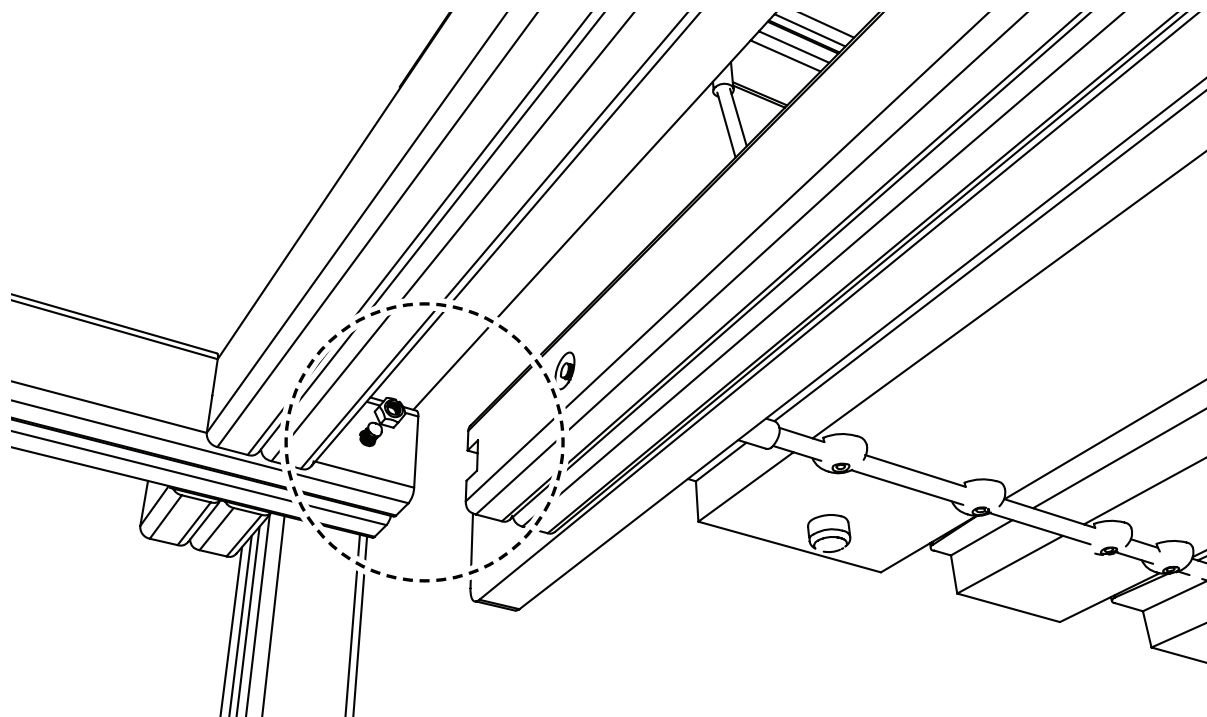
1

INSTALL ALL PARTS AS PER STANDARD JIGSAW PARTS
UNIT SHOULD LOOK LIKE THIS



2

PLEASE NOTE - END CAPS MAY NOT BE REQUIRED
SOME ATTACHEMENT PARTS MEAN END CAPS ARE NOT REQUIRED



NOTES:

TIMBER SUPPORT IS CUT TO FIT AROUND THE NYLOC - CIRCLED ABOVE

ADDITIONAL MEASUREMENTS

