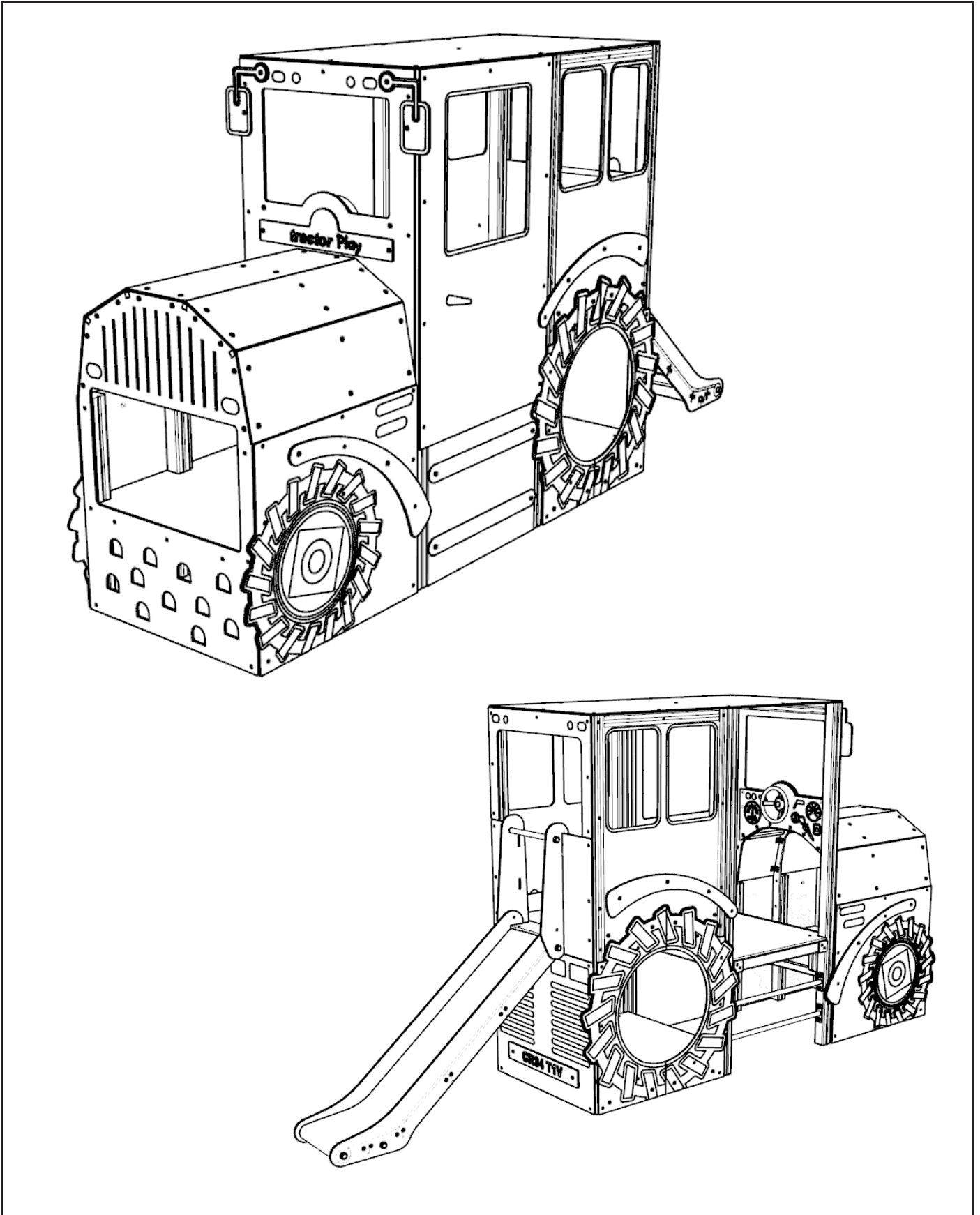


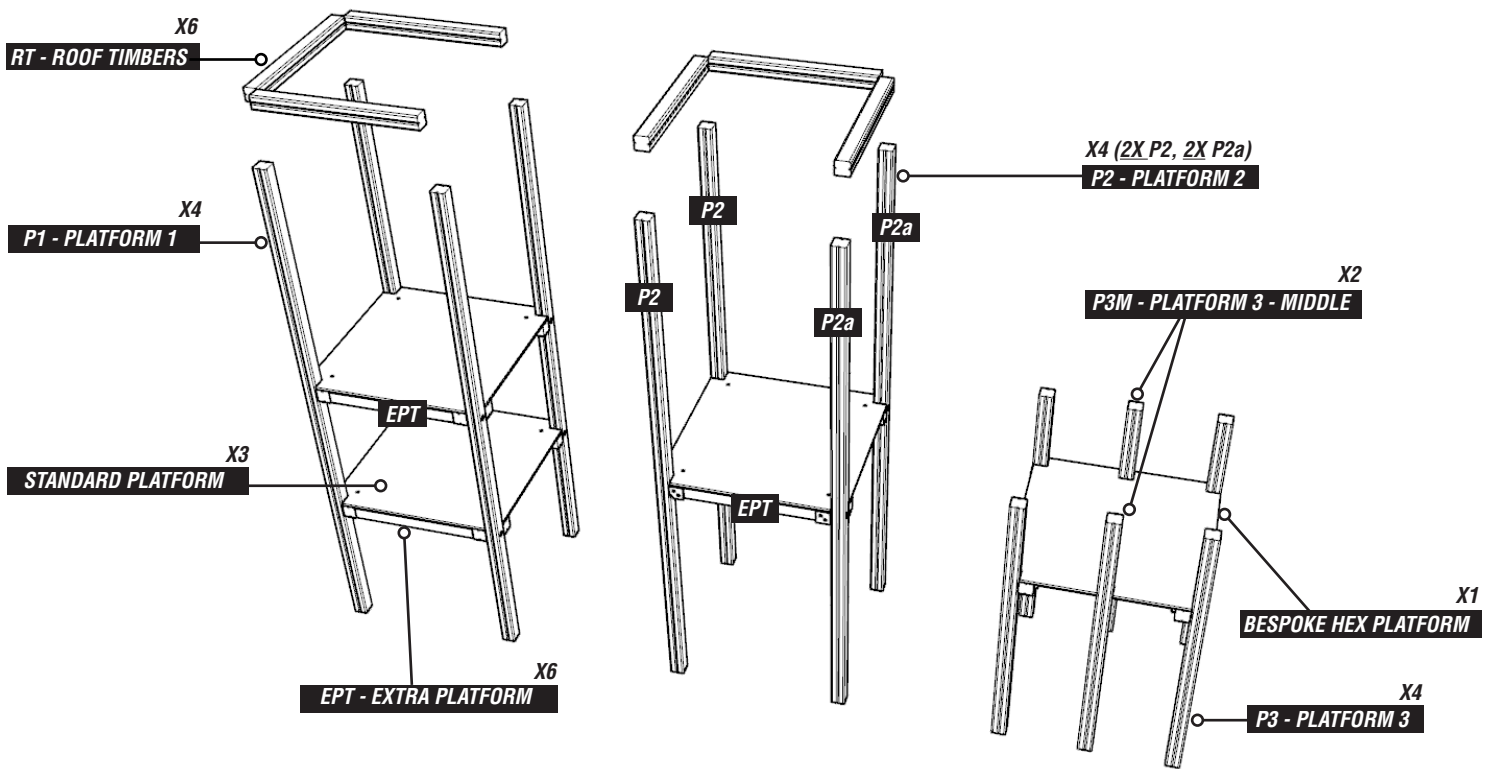
# VOY103 - TRACTOR

## Installation Instructions

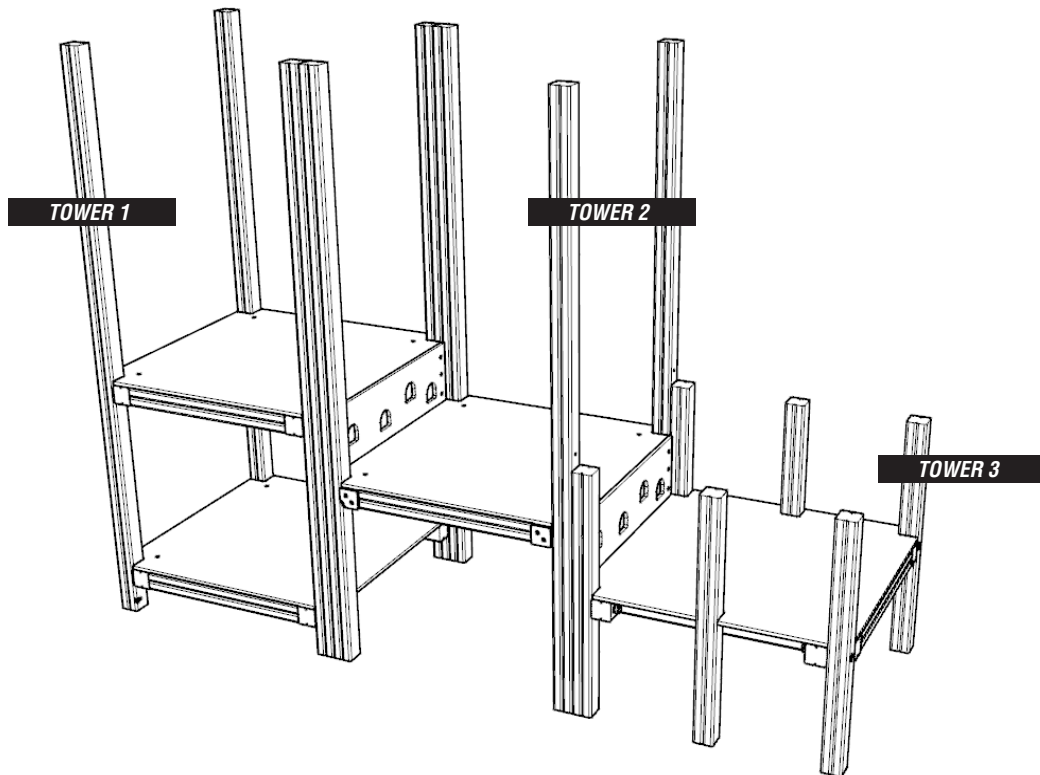
creative  
play



# PARTS REQUIRED

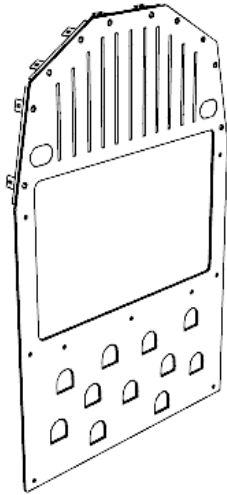


## TIMBERS & PLATFORMS



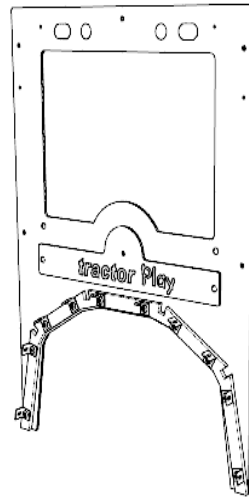
TOWER LABELLED ...

# PARTS REQUIRED



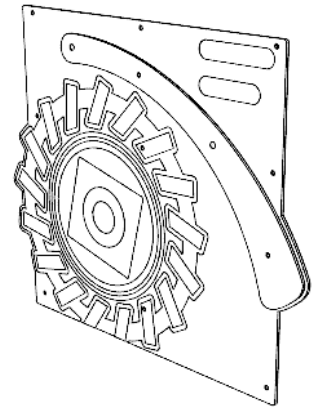
x1

**EXHAUST PANEL**



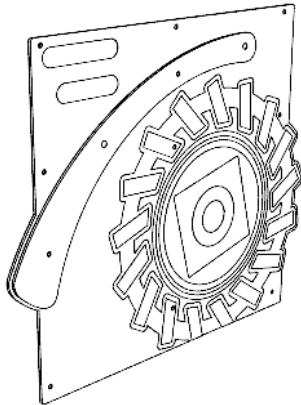
x1

**FRONT DASH PANEL**



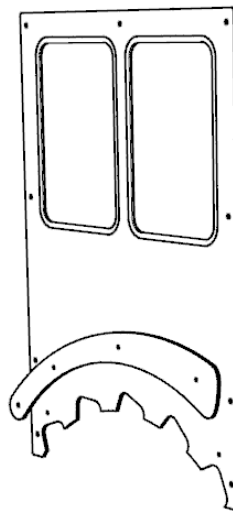
x1

**FRONT WHEEL PANEL (RIGHT)**



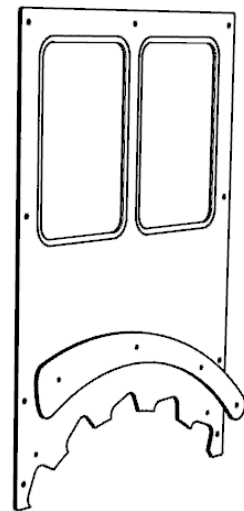
x1

**FRONT WHEEL PANEL (LEFT)**



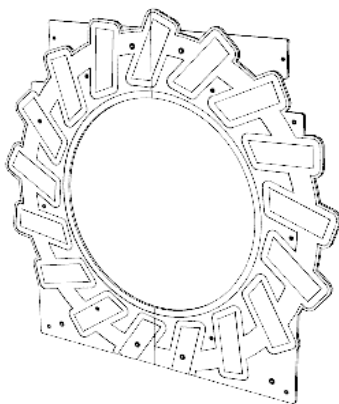
x1

**WINDOW SIDE PANEL (RIGHT)**



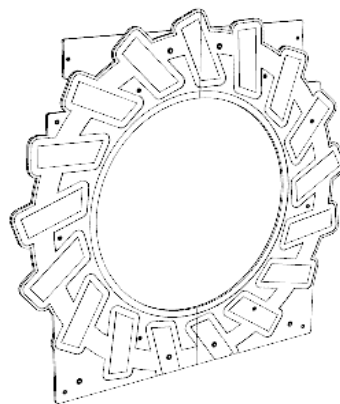
x1

**WINDOW SIDE PANEL (LEFT)**



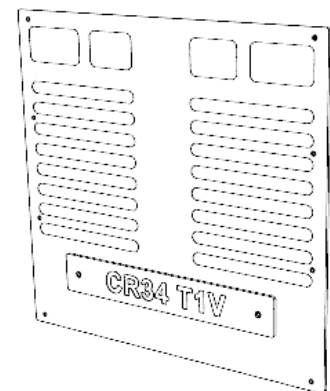
x1

**BACK WHEEL PANEL (RIGHT)**



x1

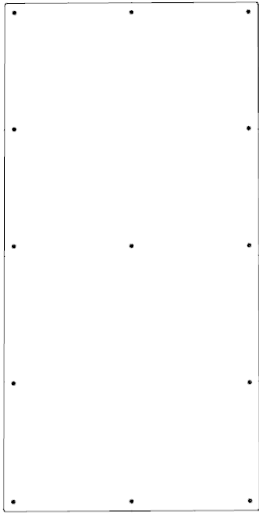
**BACK WHEEL PANEL (LEFT)**



x1

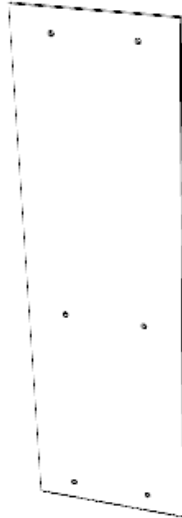
**BACK PANEL**

# PARTS REQUIRED



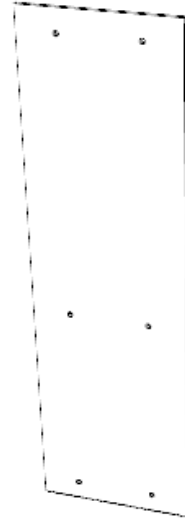
x1

**ROOF PANEL**



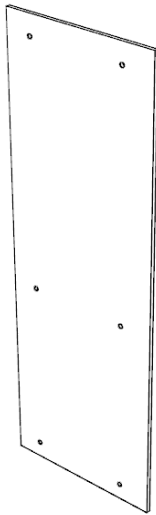
x2

**ENGINE HOOD PANEL 1**



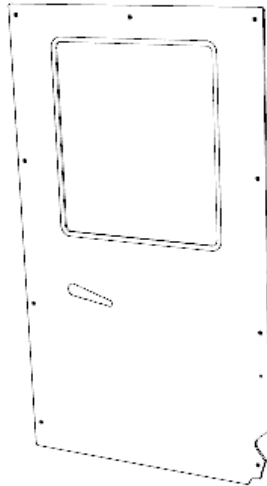
x2

**ENGINE HOOD PANEL 2**



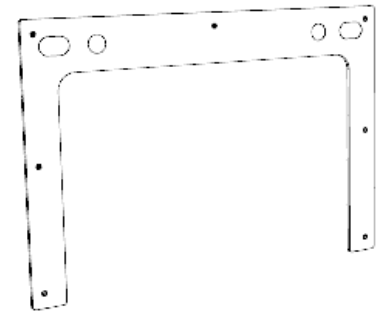
x1

**ENGINE HOOD PANEL 3**



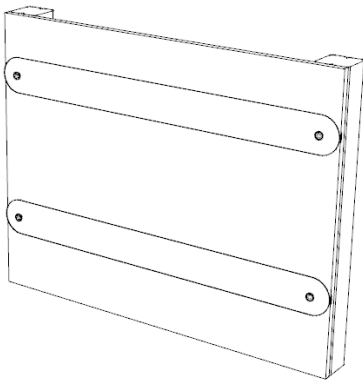
x1

**DOOR PANEL**



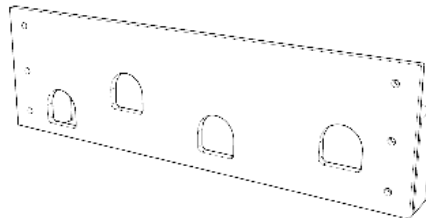
x1

**UPPER BACK PANEL**



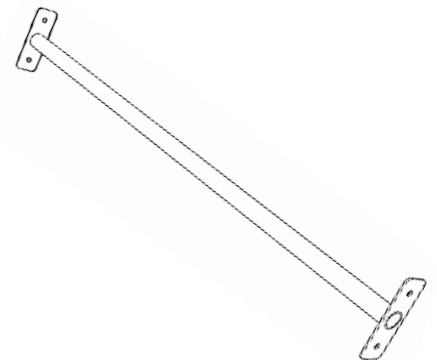
x1

**HEX CLADDING PANEL**



x2

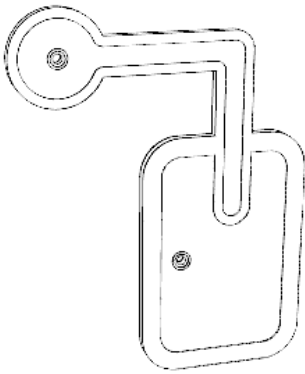
**STEPPING PANEL**



x2

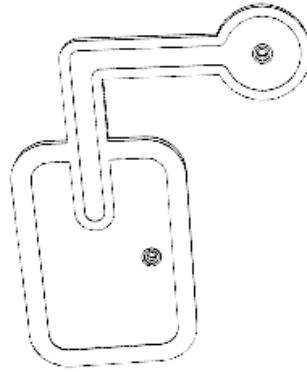
**STEPPING BARS**

# PARTS REQUIRED



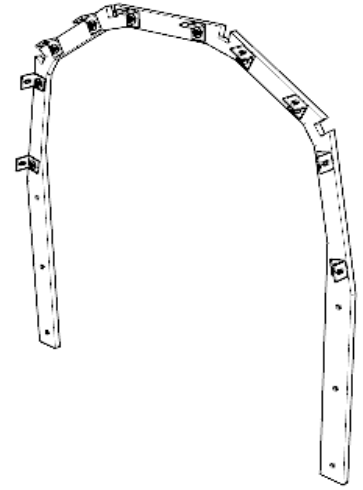
x1

**MIRROR PANEL (RIGHT)**



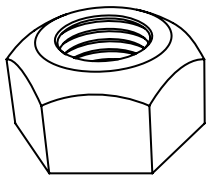
x1

**MIRROR PANEL (LEFT)**



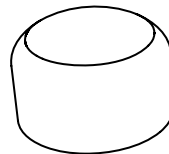
x1

**HEX TUNNEL ARCH (MIDDLE)**



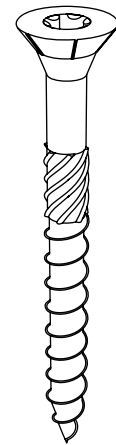
x2

**656.M8**



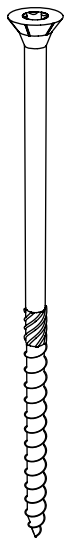
x8

**102001-0 - M10**



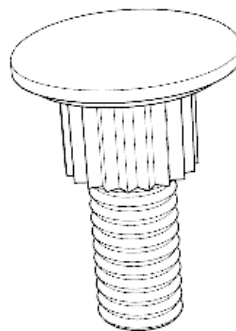
x130

**M8X80MM WOOD SCREWS**



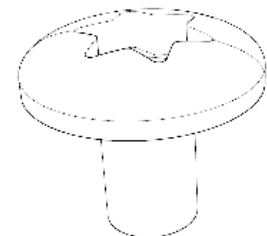
x86

**M8X180MM WOOD SCREWS**



x34

**3B TORKTAINER BOLT**

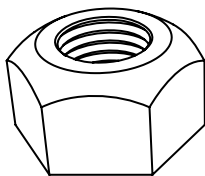


x34

**N1 TORKTAINER NUT**

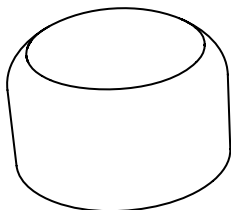
# PARTS REQUIRED

---



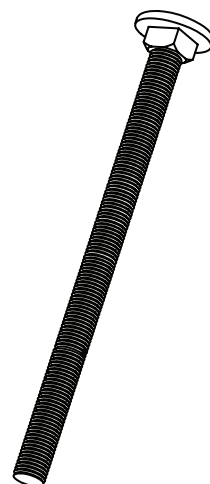
x16

656.M12



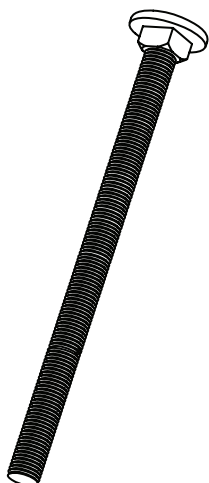
x18

102003-01 - M12



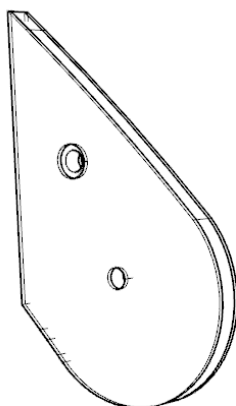
x16

274.M12X180



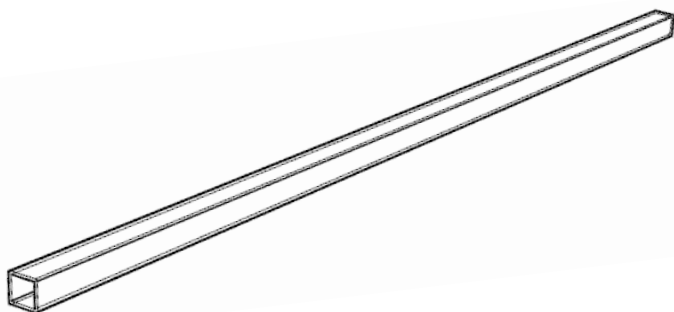
x2

274.M8X140



x1

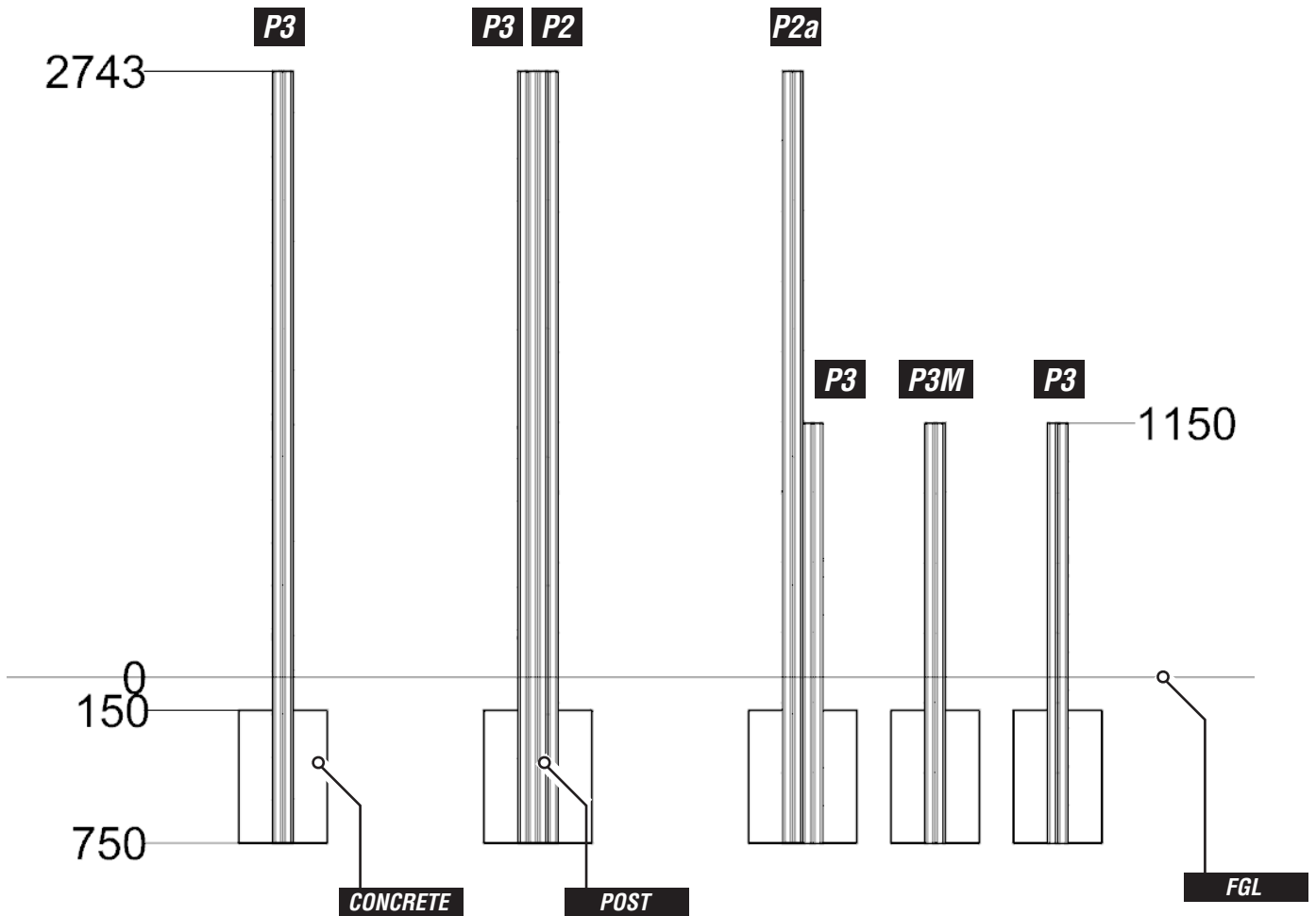
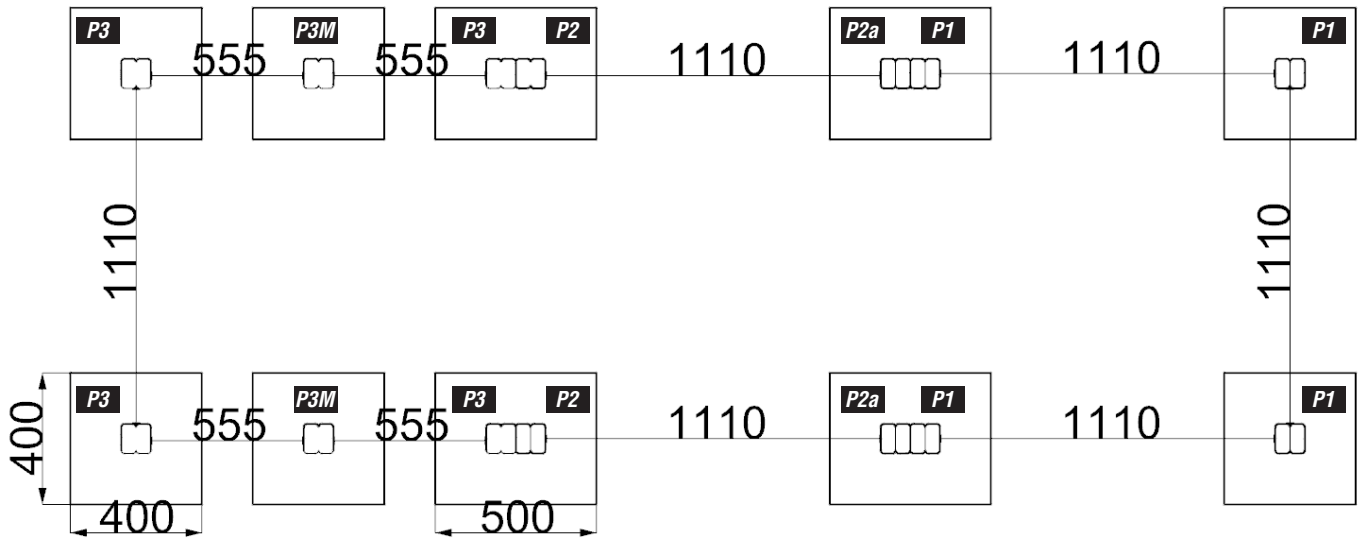
WHEEL ARCH SUPPORT PIECE



x4

METAL BOX SECTION

# FOUNDATION DETAILS

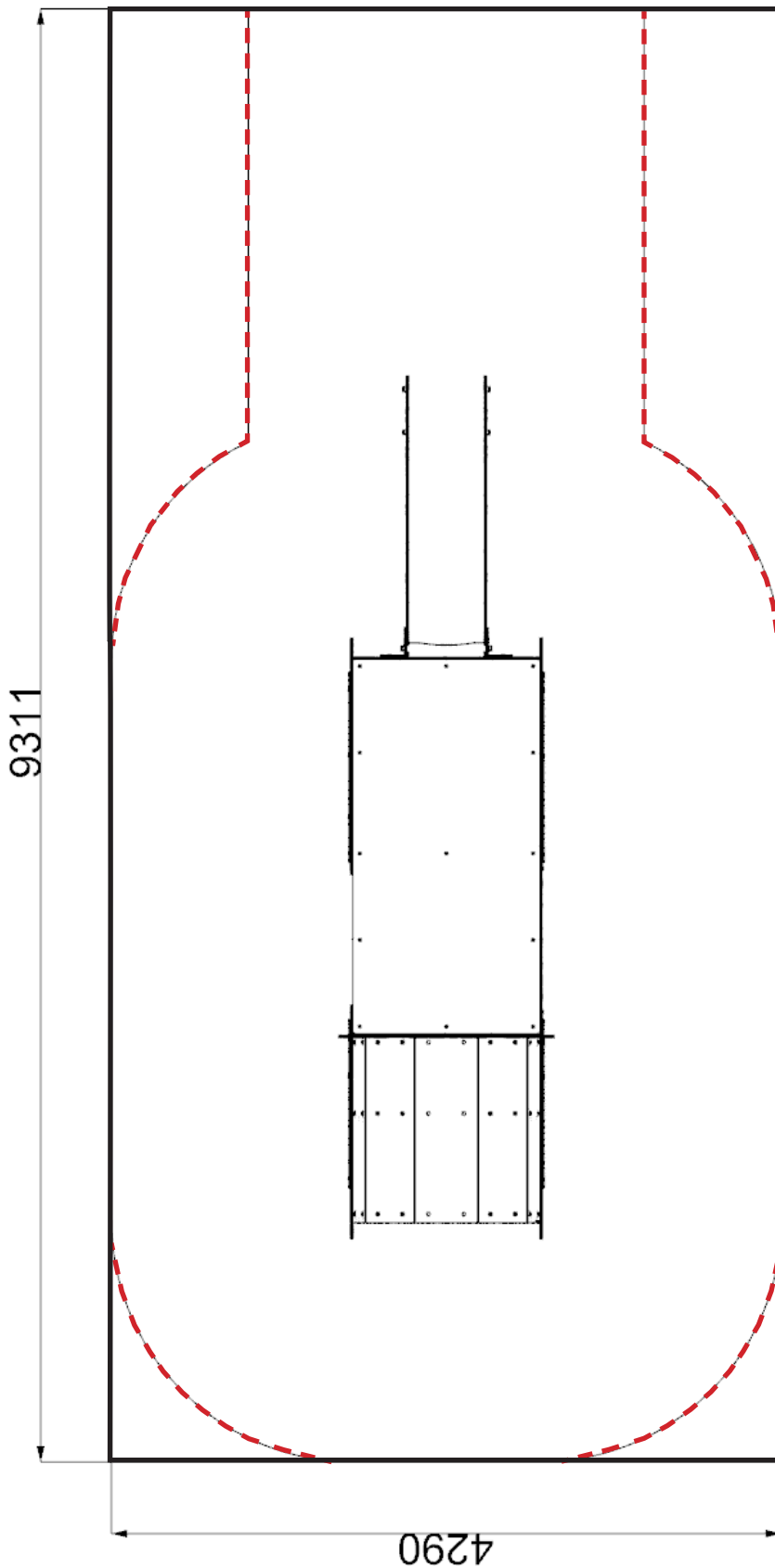


# SURFACING DETAILS

---

--- = MINIMUM SPACE

— = SURFACE AREA

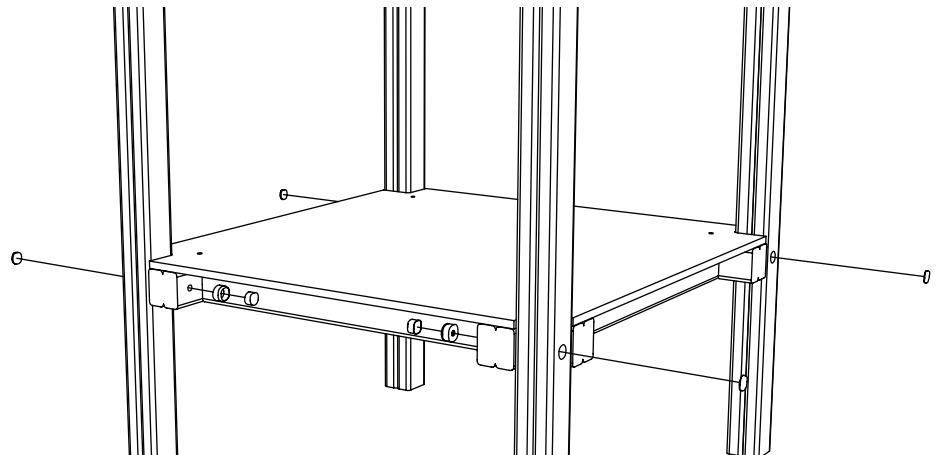
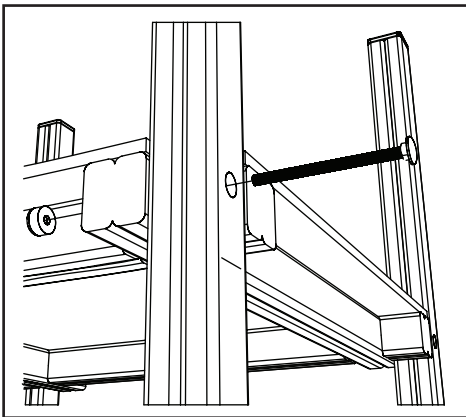




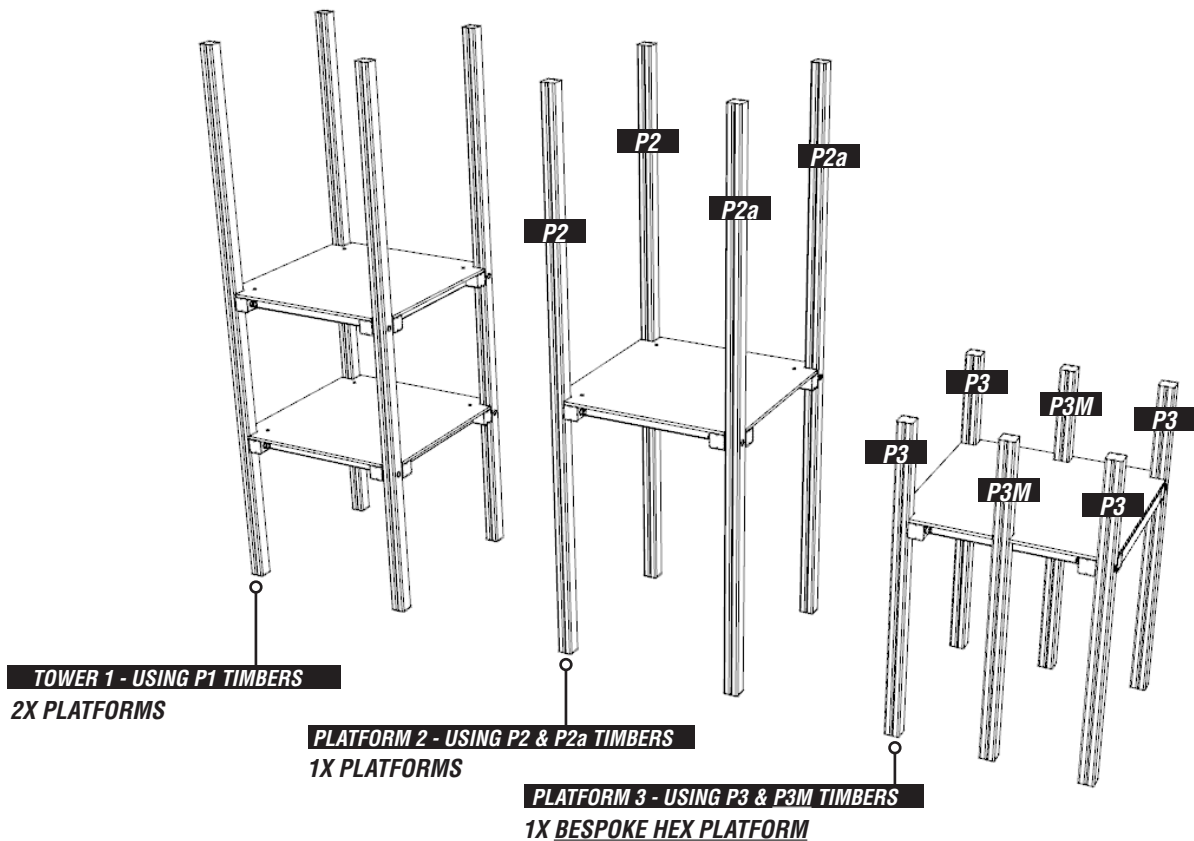
# INSTALLATION INSTRUCTIONS

## 1 ATTACH FLOOR ASSEMBLIES TO UPRIGHT TIMBERS - SEE STEP BELOW FOR LOCATIONS USING 274.M12X180 / 656.M12 / 102003-01

**NOTES:**  
NYLOC & COVERED END ARE ALWAYS  
POSITIONED ON THE INSIDE



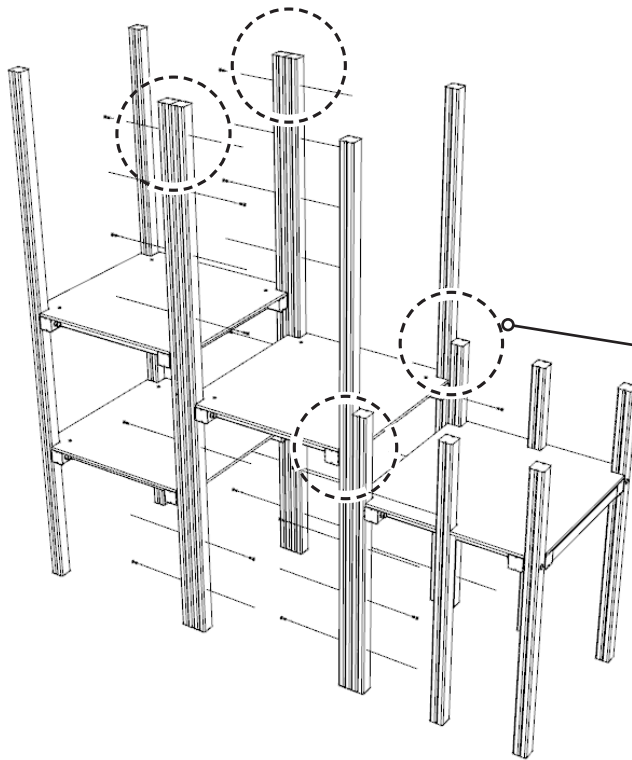
## 2 LOCATIONS FOR 4X PLATFORMS ... INSTALL ACCORDING TO GROUNDPLAN



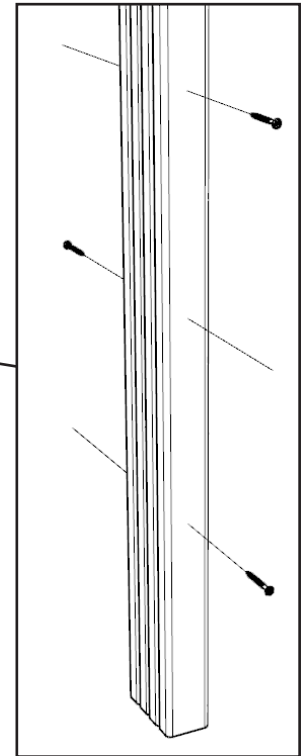
**3**

**FURTHER SECURE ANY PLATFORM TIMBERS BUTTED TOGETHER (CIRCLED)**

USING 24X M8X180MM WOOD SCREWS, TIMBERS SHOULD BE SCREWED TOGETHER FROM FRONT & BACK OF PLANE FACE



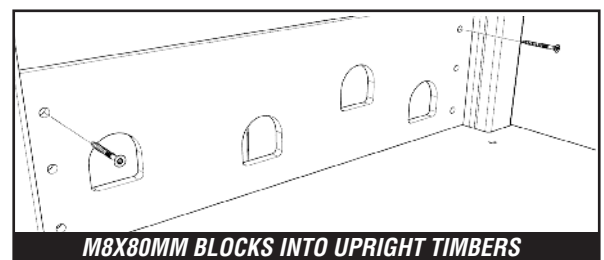
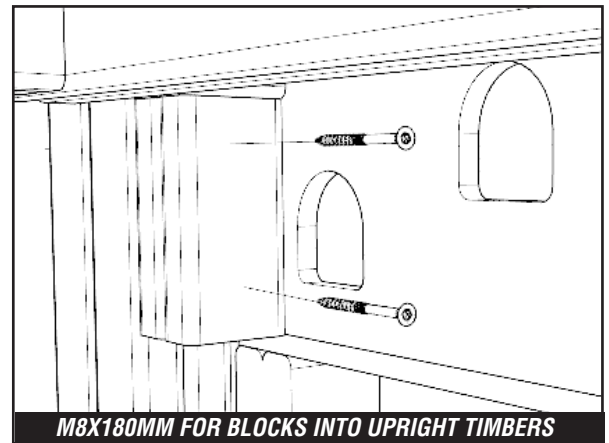
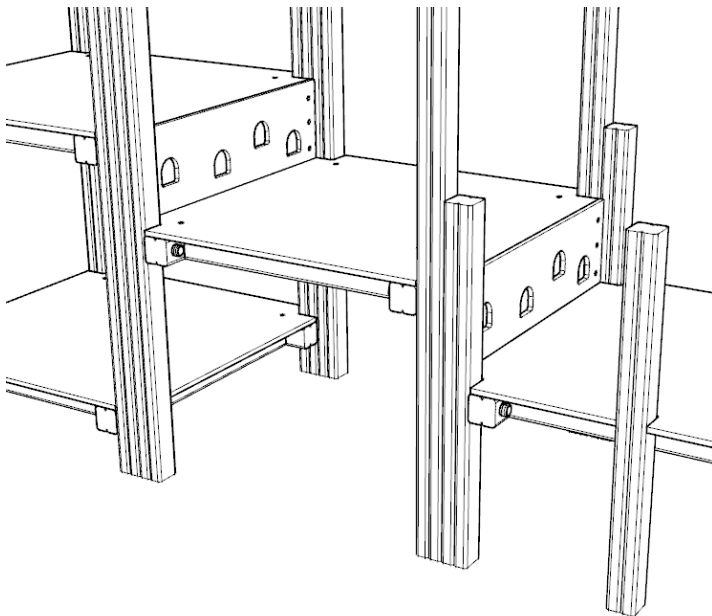
**NOTES:**  
ENSURE ALL  
HOLES ARE  
COUNTERSUNK



**4**

**ATTACH STEPPING PANELS IN LOCATION SHOWN**

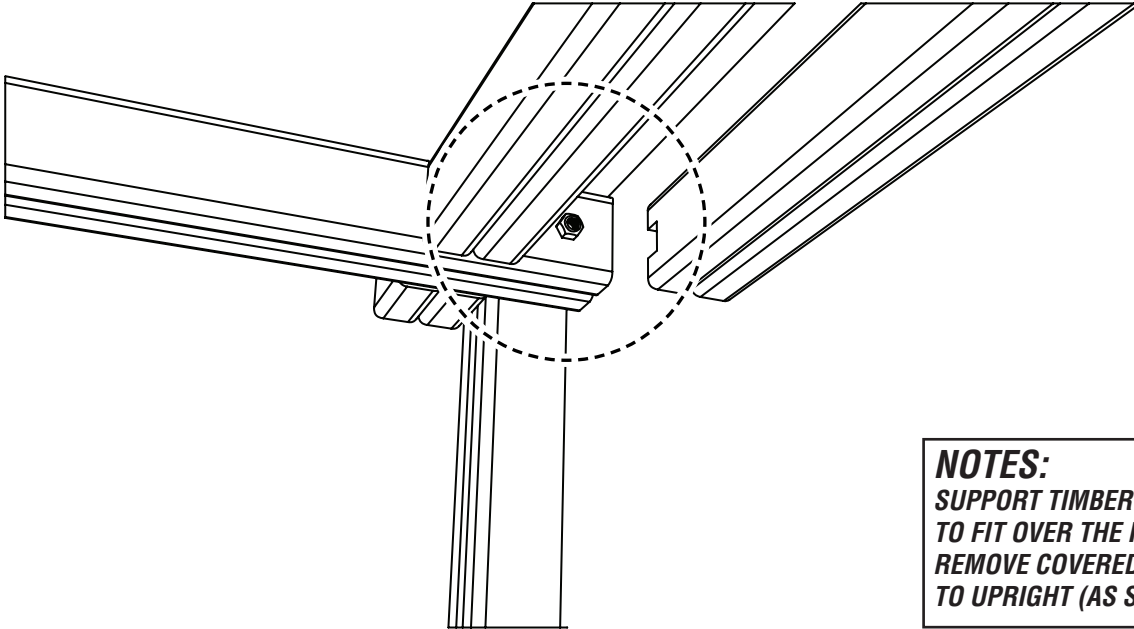
USING M8X80MM THROUGH TOP HEX HOLE AND M8X180MM WOOD SCREWS FOR CLIMBING WALL BLOCKS



**NOTES:**  
ENSURE STEPPING PANEL SITS FLAT ON LOWER PLATFORM. THIS WILL SIT FLUSH WITH THE TOP OF THE PLATFORM - CIRCLED ABOVE

**5**

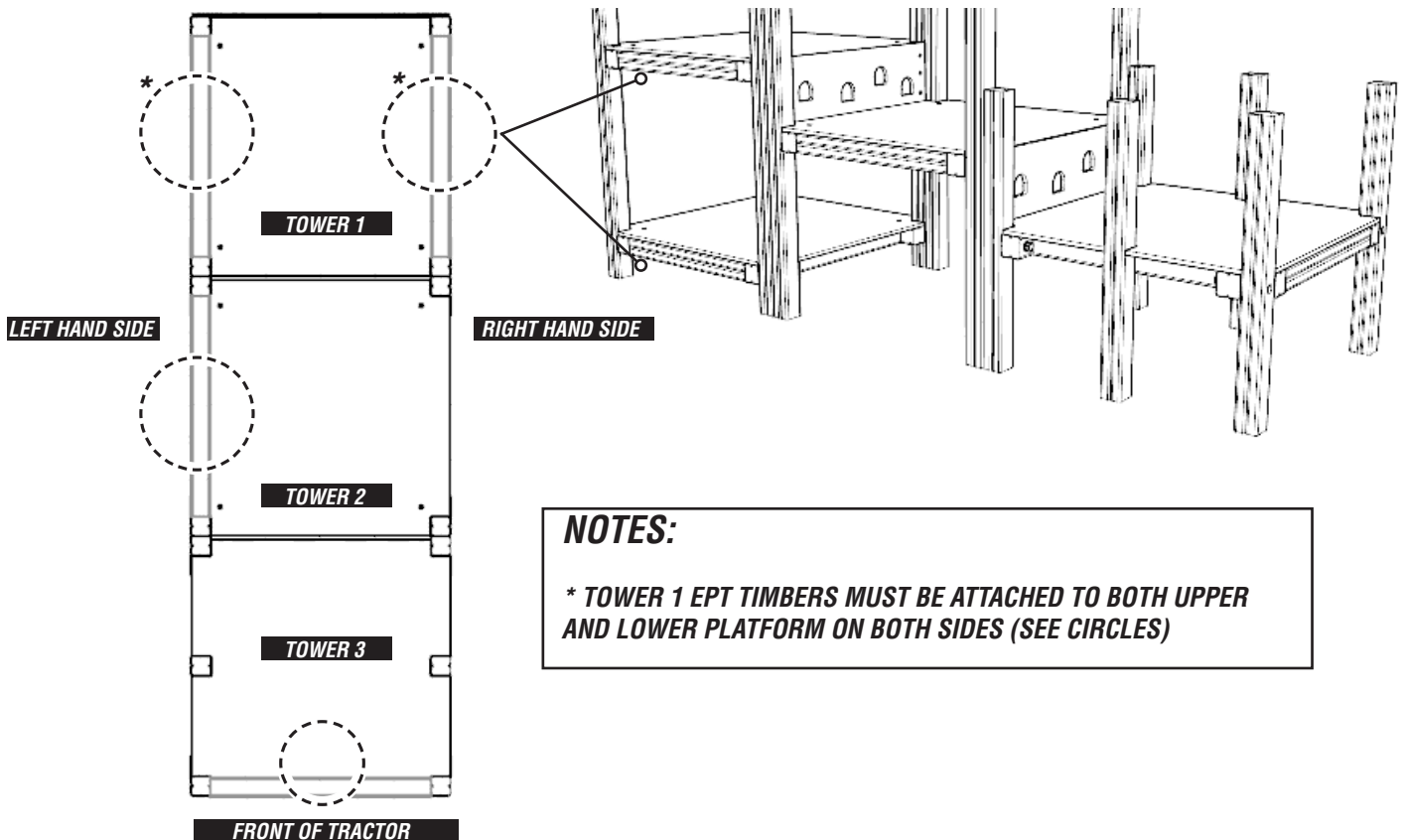
**FIT 6X EPT TIMBERS TO PLATFORMS (SEE STEP BELOW FOR LOCATIONS)**  
USING 4X M8X180MM WOOD SCREWS PER TIMBER, REMOVE RED CAP ON PLATFORM IF REQUIRED



**NOTES:**  
SUPPORT TIMBER IS NOTCHED OUT TO FIT OVER THE NYLOC ONLY  
REMOVE COVERED END IF ATTACHED TO UPRIGHT (AS SHOWN)

**6**

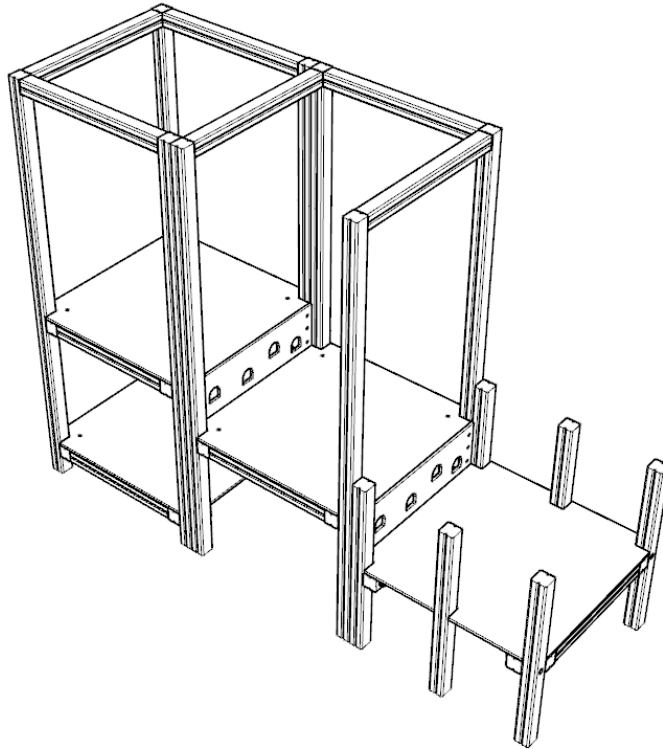
**LOCATION OF 6X EPT TIMBERS ON TOWERS...**  
ENSURE THEY ARE POSITIONED ON THE CORRECT SIDE OF THE TOWERS (SEE CIRCLES)



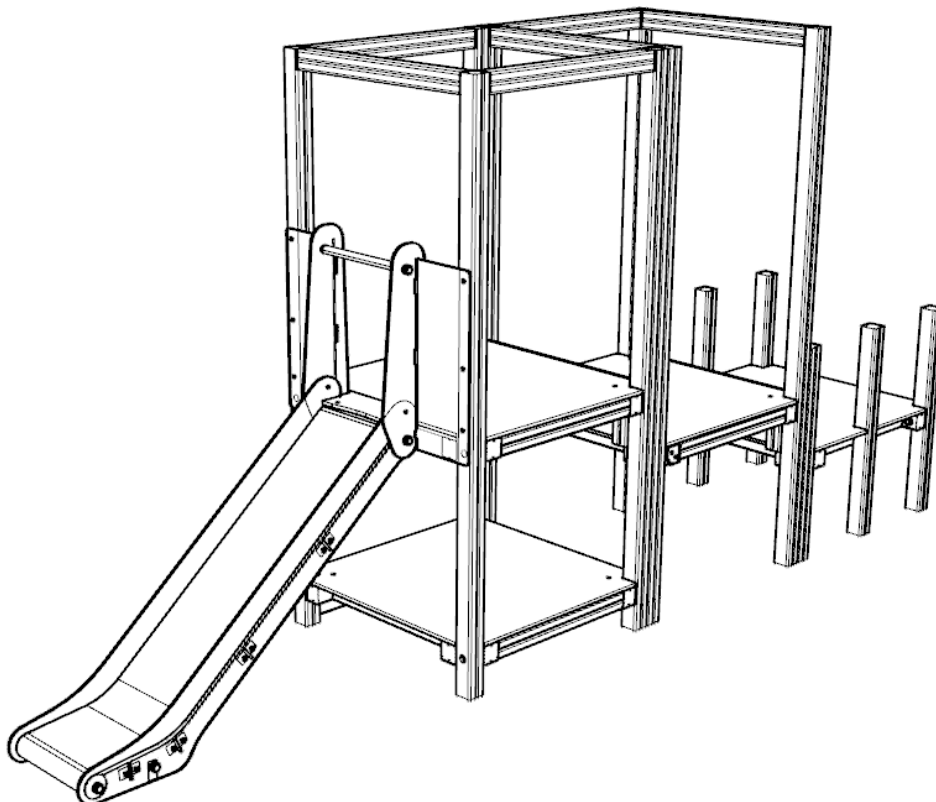
---

**7**

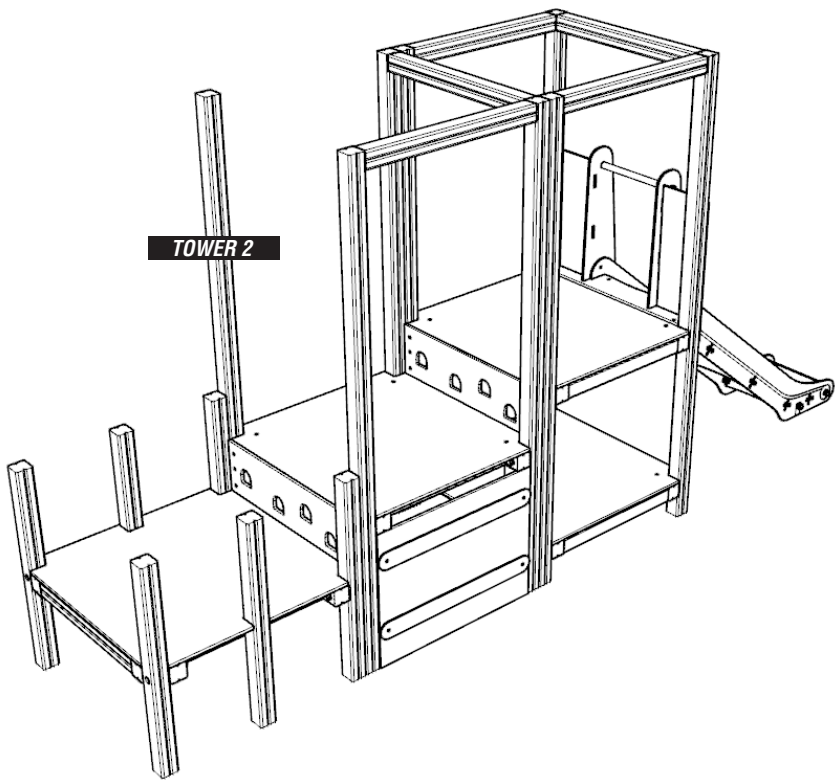
**ATTACH RT ROOF TIMBERS IN LOCATIONS SHOWN BELOW**  
**USING M8X180MM WOOD SCREWS, ENSURE SCREWS DO NOT "CLASH"**

**8**

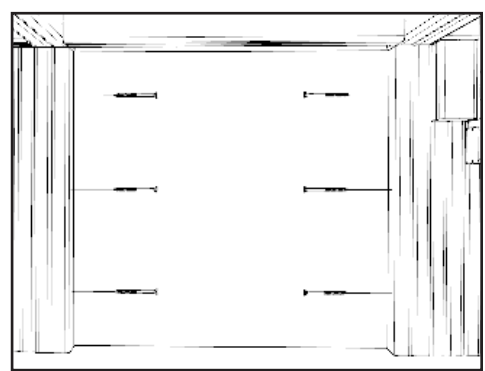
**INSTALL STANDARD JIGSAW SLIDE IN LOCATION SHOWN**  
**ACCORDING TO STANDARD INSTRUCTIONS**



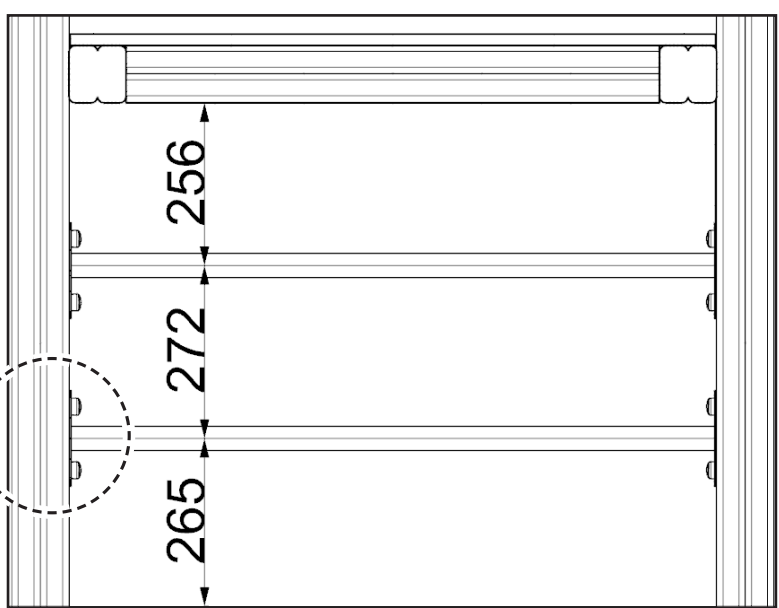
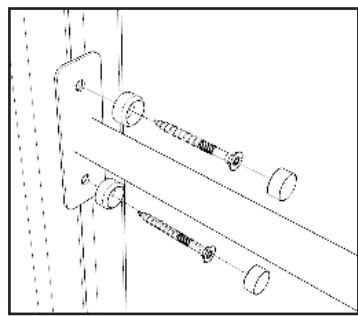
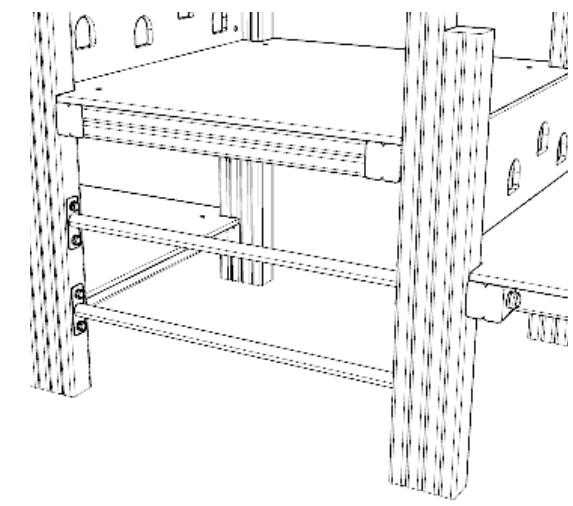
**9 ATTACH HEX CLADDING PANEL IN LOCATION SHOWN - RIGHT HAND SIDE (FROM FRONT)  
USING M8X180MM WOOD SCREWS**



**NOTES:**  
ATTACH FROM THE INSIDE OF TOWER 2 - SEE BELOW

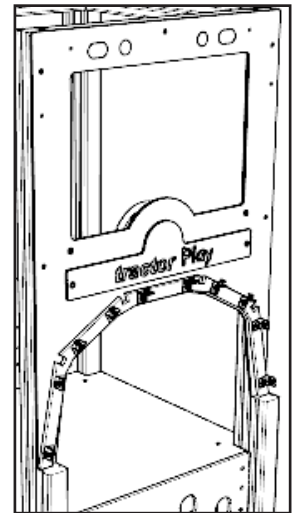
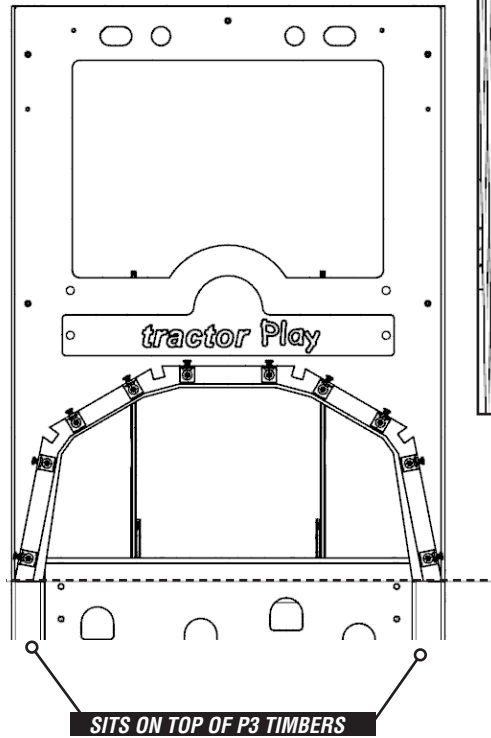
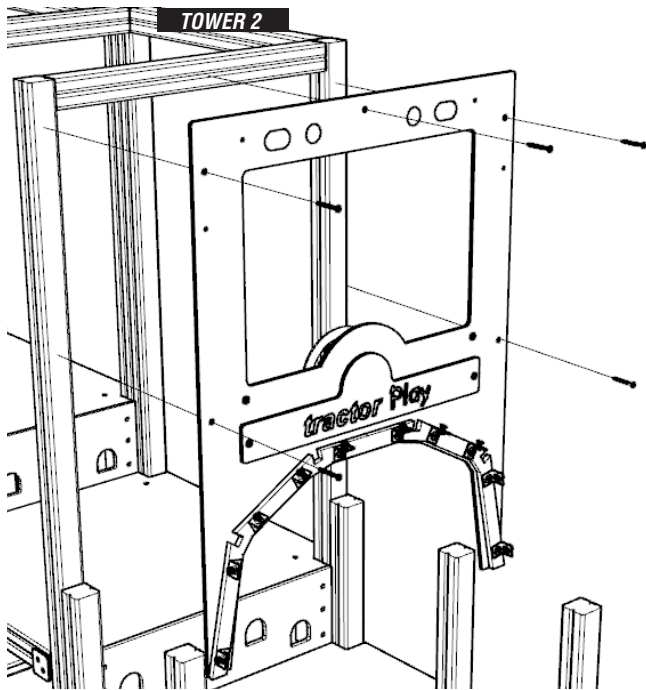


**10 ATTACH STEPPING BARS TO OPPOSITE SIDE OF HEX CLADDING PANEL  
USING M8X80 WOOD SCREWS/ 102003-01 AT DIMENSIONS SHOWN**

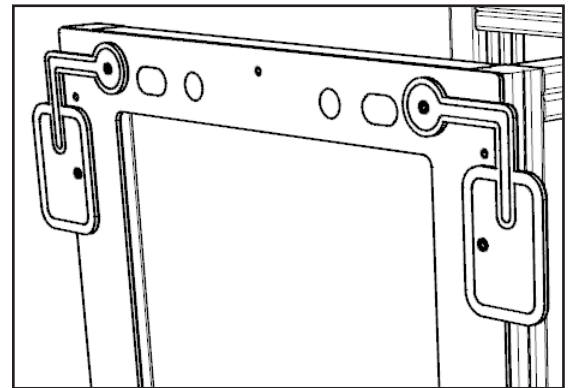
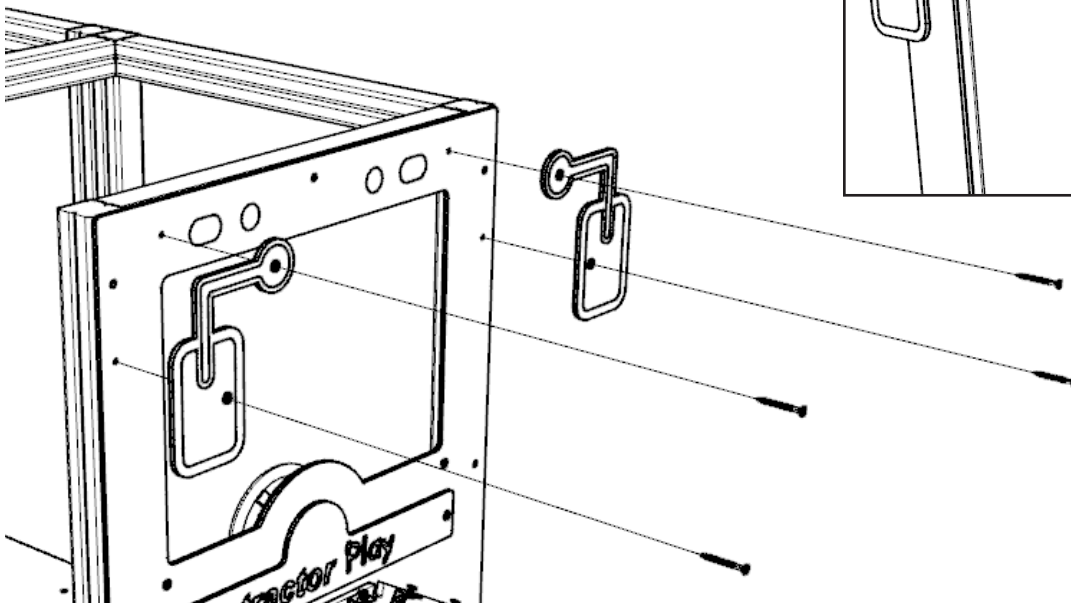


**11****ATTACH FRONT DASH PANEL TO TOWER 2**

USING M8X80MM WOOD SCREWS

**12****ATTACH LEFT AND RIGHT MIRROR PANELS TO FRONT DASH PANEL**

USING M8X80MM WOOD SCREWS IN REMAINING HOLES IN FRONT DASH PANEL



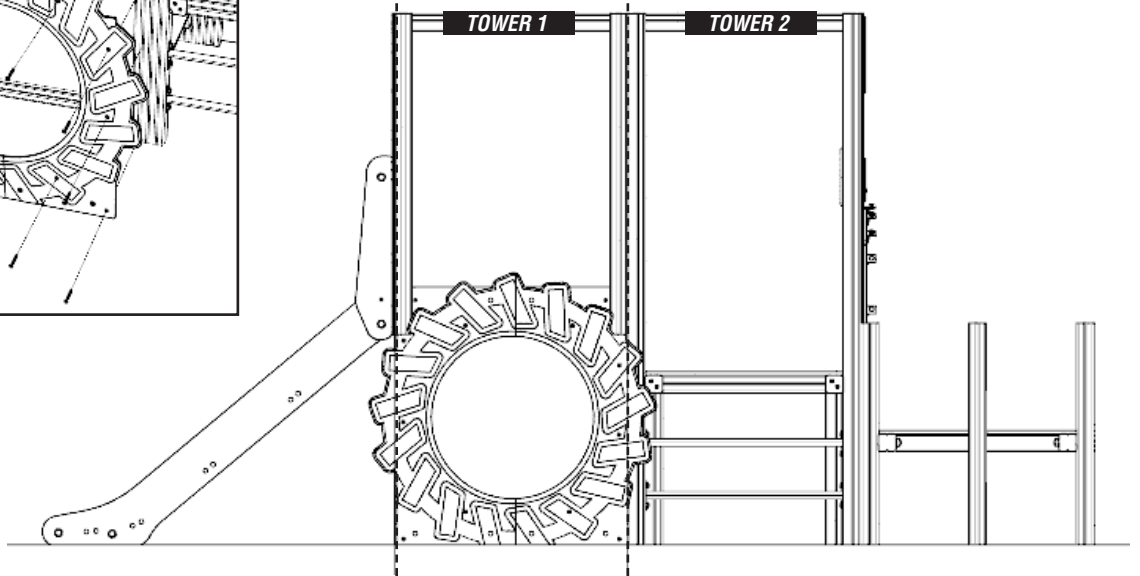
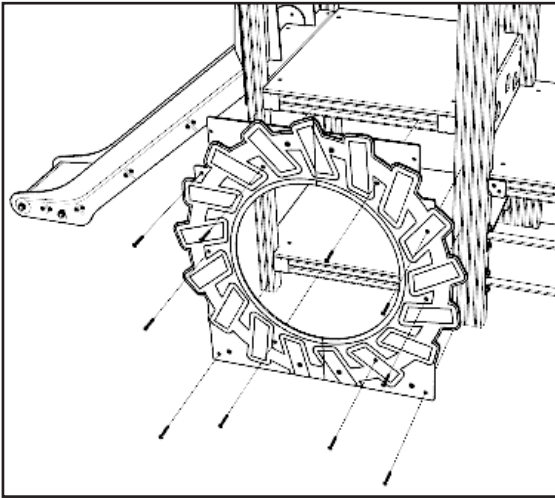
**13**

**ATTACH BACK WHEEL PANELS TO BOTH SIDES OF TOWER 1 (SEE LOCATION BELOW)  
USING M8X80MM WOOD SCREWS**

**NOTES:**

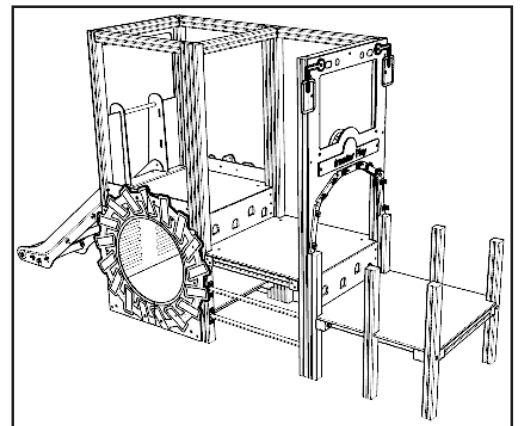
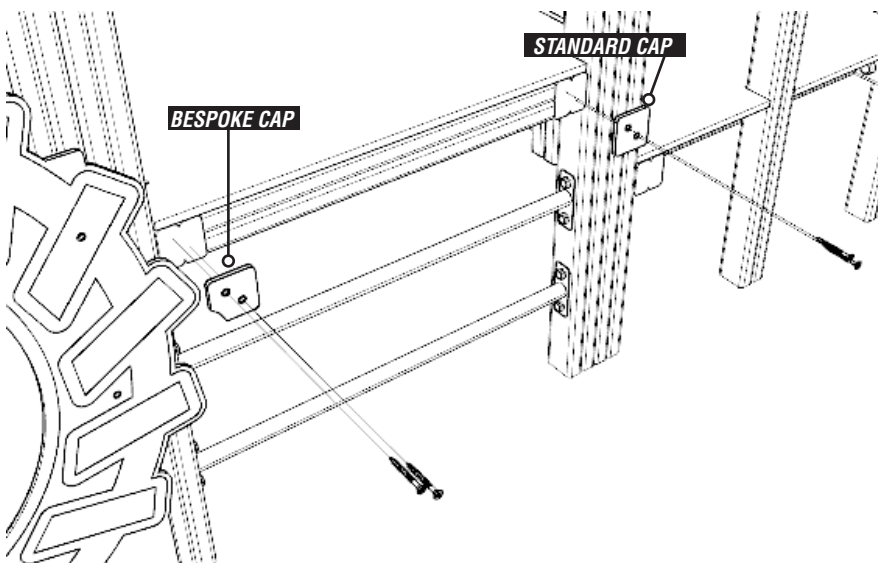
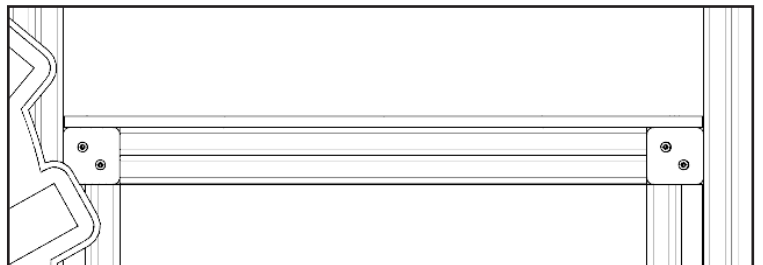
*THIS PANEL IS MEANT TO OVERLAP TOWER 2 TIMBERS*

*ENSURE BACK WHEEL PANELS ARE SIT FLAT ON THE GROUND AND IS POSITIONED CENTRALLY ON TOWER 1*

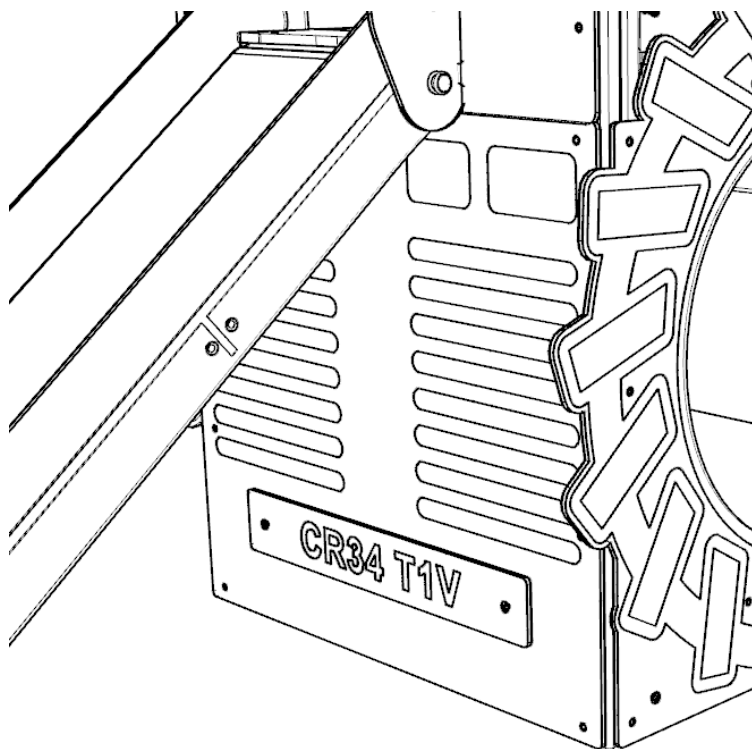


**14**

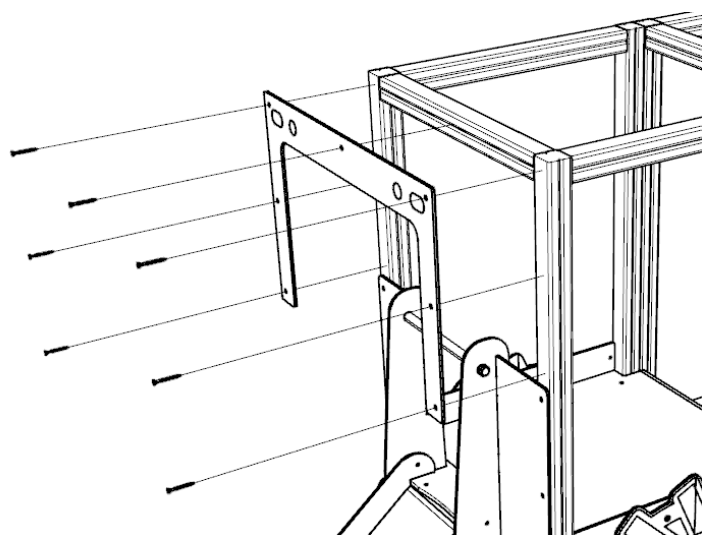
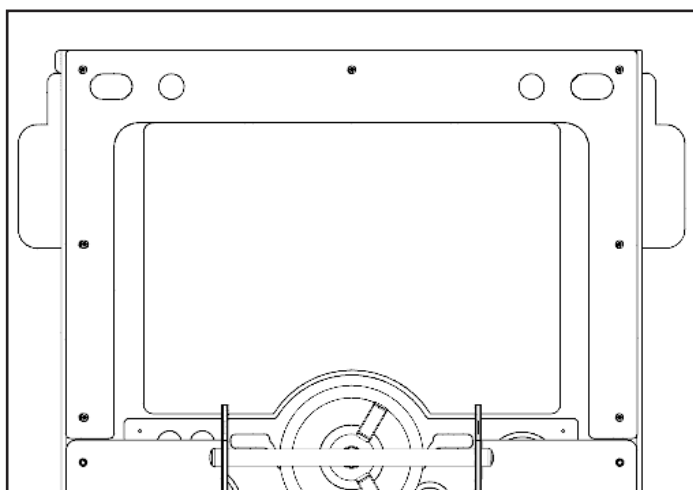
**ATTACH ENDCAPS (INCLUDING BESPOKE ENDCAP) TO PLATFORM ENDS ON TOWER 2  
USING M8X80MM WOOD SCREWS, BESPOKE CAP FITS AROUND CURVE OF BACK WHEEL PANEL**



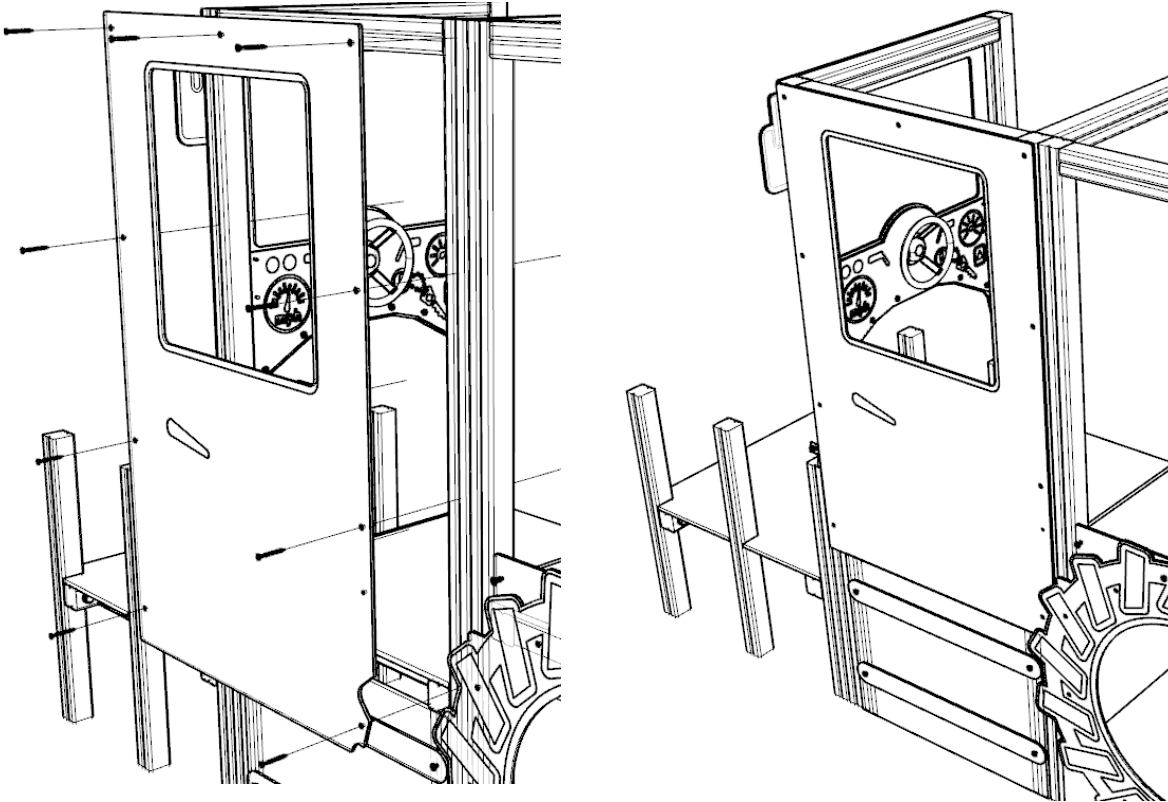
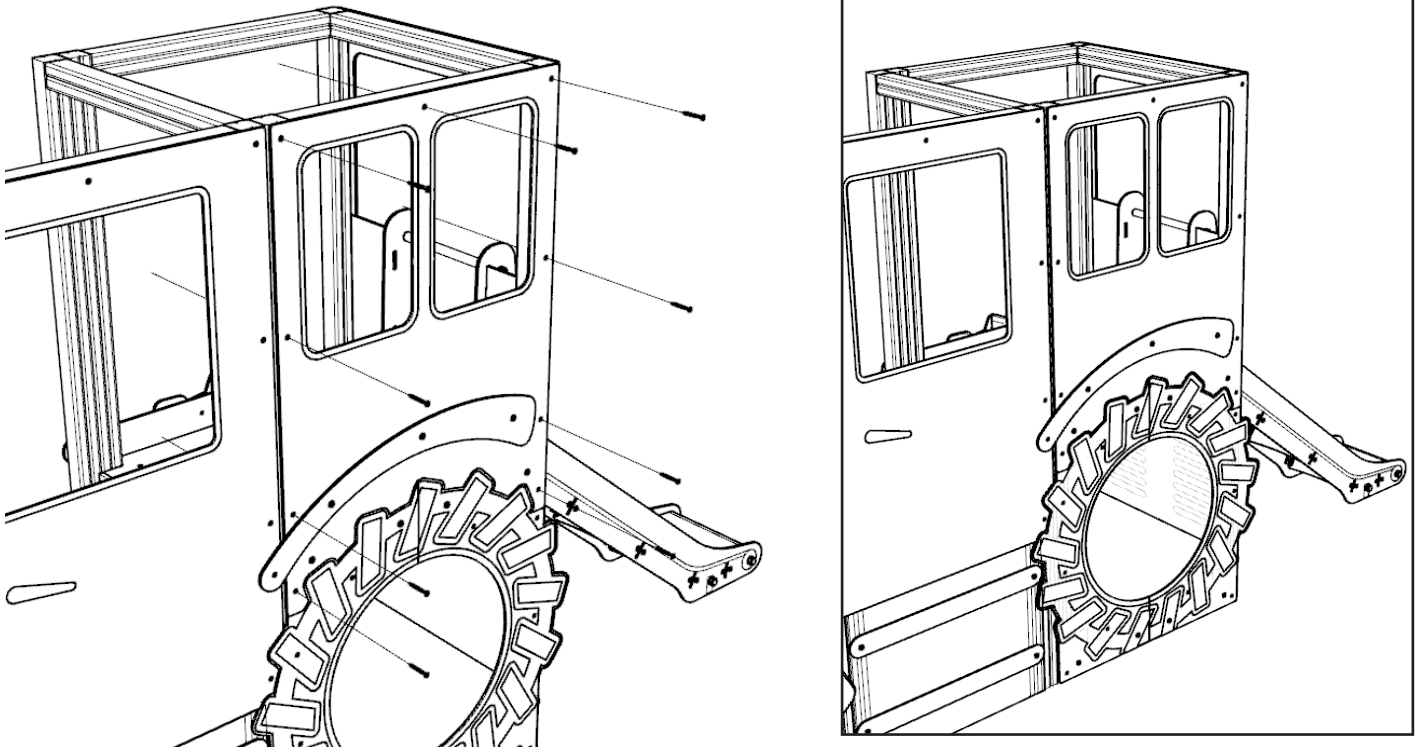
**15** ATTACH BACK PANEL UNDERNEATH SLIDE  
USING M8X80MM WOOD SCREWS



**16** ATTACH UPPER BACK PANEL ABOVE THE SLIDE  
USING M8X80MM WOOD SCREWS



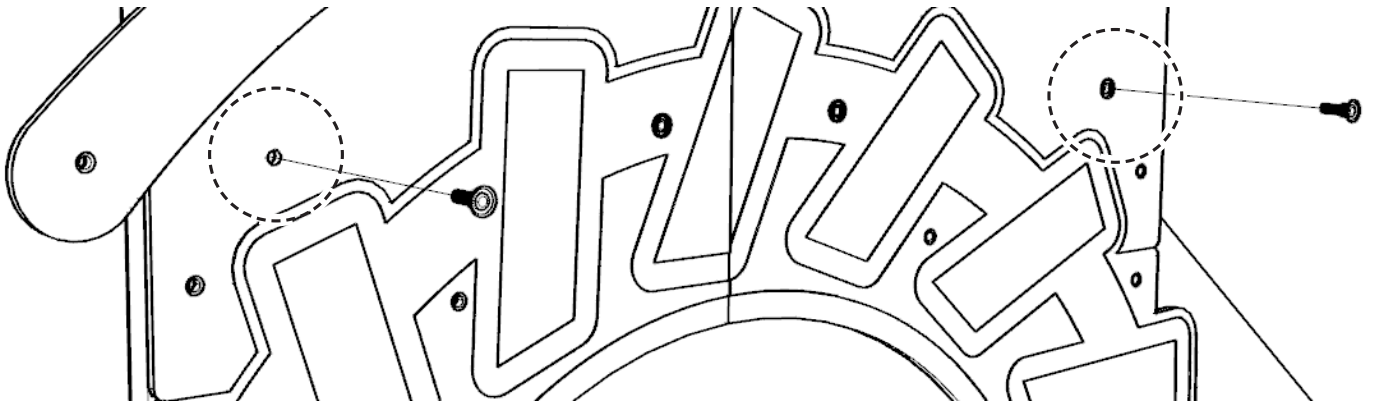


**17****ATTACH THE DOOR PANEL TO TOWER 2 ABOVE HEX CLADDING PANEL****USING M8X80MM WOOD SCREWS IN COUNTERSINKS ONLY, ENSURE PANEL TOP SITS FLUSH WITH ROOF TIMBERS****18****ATTACH RIGHT WINDOW SIDE ONLY ABOVE BACK WHEEL PANEL****USING M8X80MM WOOD SCREWS, POSITION NEXT TO DOOR PANEL, WHEEL ARCH SHOULD OVERLAP DOOR**

**19**

**FURTHER SECURE WINDOW PANEL TO BACK WHEEL PANEL**

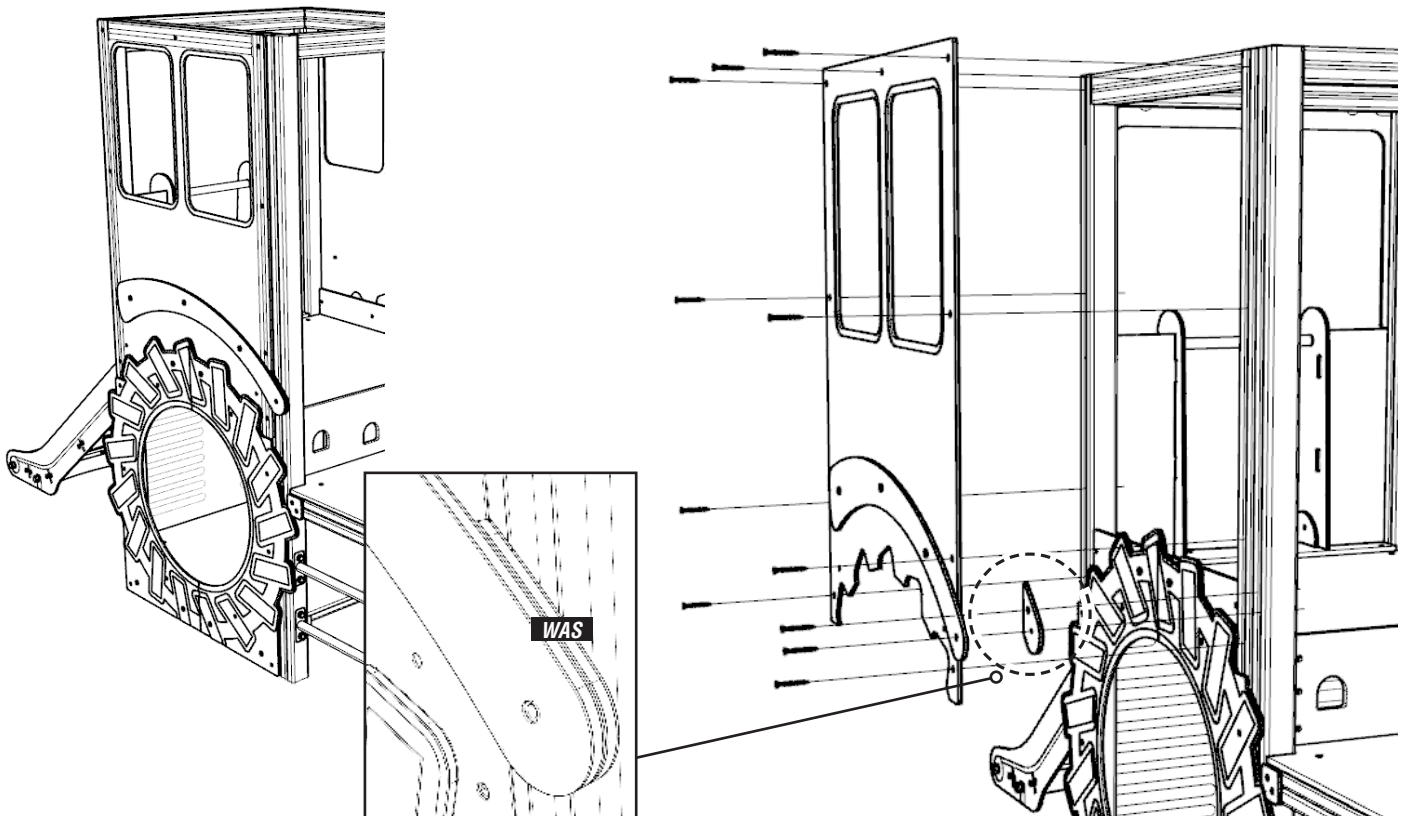
USING 3B/N1 TORKTAINERS IN LOCATION SHOWN, REPEAT STEP WHEN ATTACHING LEFT WINDOW PANEL - NEXT STEP...



**20**

**ATTACH LEFT WINDOW PANEL ON OPPOSITE SIDE**

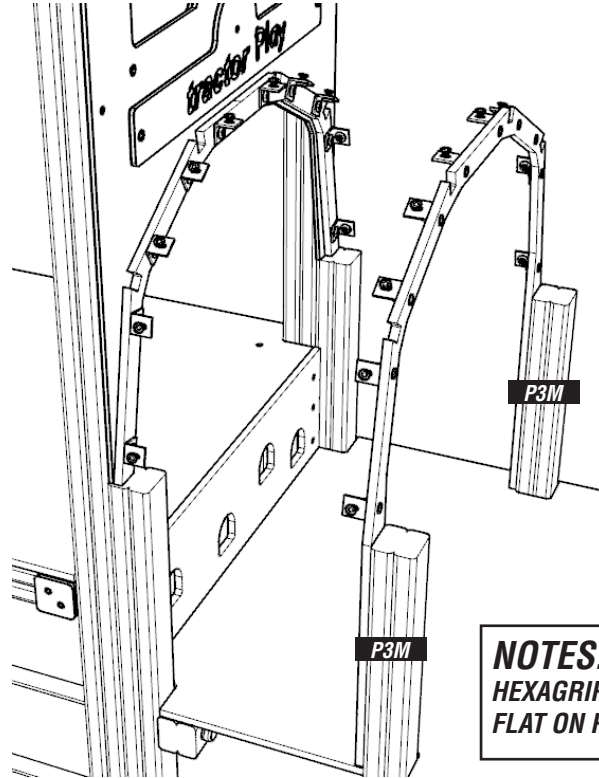
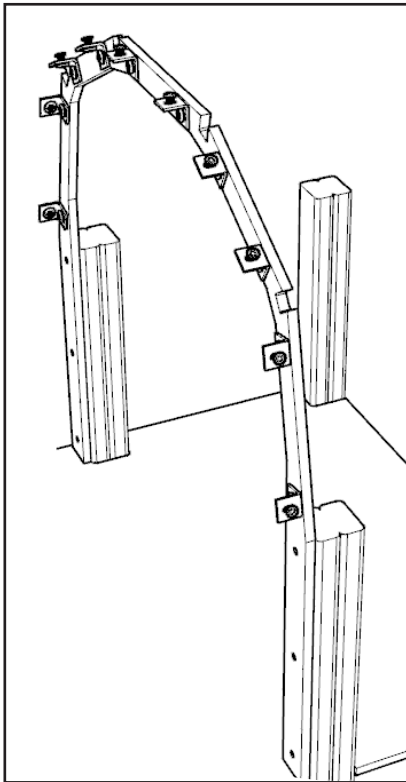
USING M8X80MM WOOD SCREWS, ENSURE WHEEL ARCH SUPPORT (WAS) IS ATTACHED UNDER OVERLAPPING WHEEL



**21**

**ATTACH HEX TUNNEL ARCH (MIDDLE) TO P3M TIMBERS ON TOWER 3**

USING M8X80MM WOOD SCREWS, ENSURE IT IS POSITIONED AS SHOWN, ANGLE CLEATS MUST FACE PLAYTEC DASH

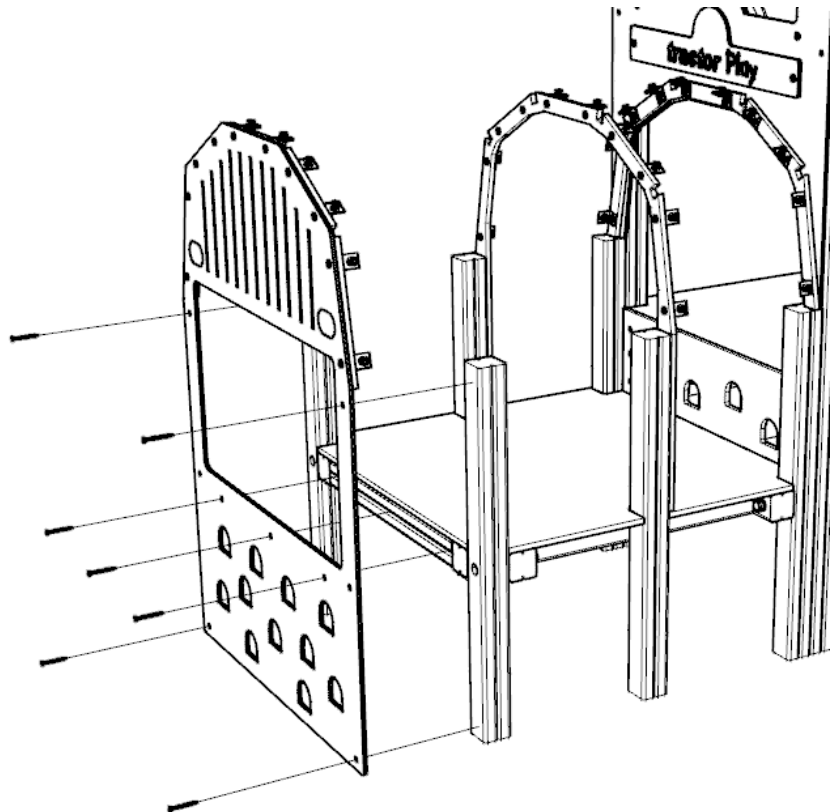
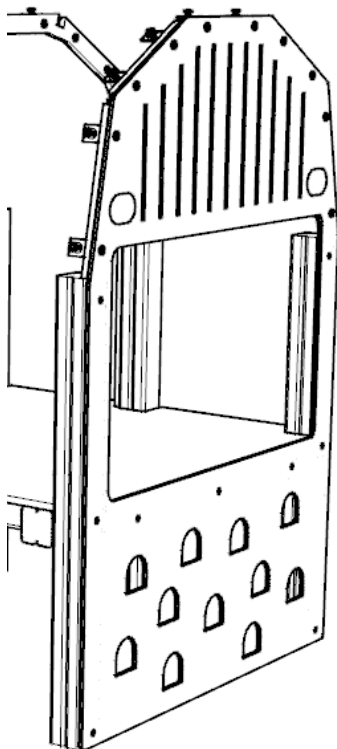


**NOTES:**  
HEXAGRIP ARCH MUST SIT  
FLAT ON PLATFORM

**22**

**ATTACH EXHAUST PANEL TO FRONT OF TOWER 3**

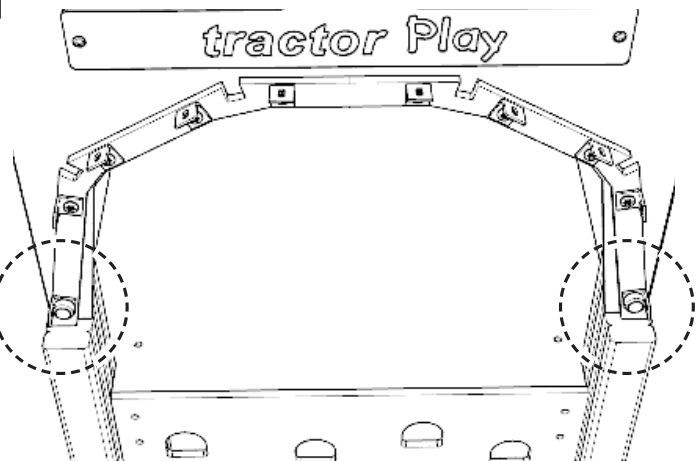
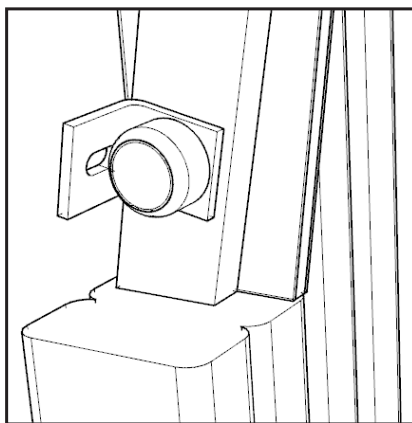
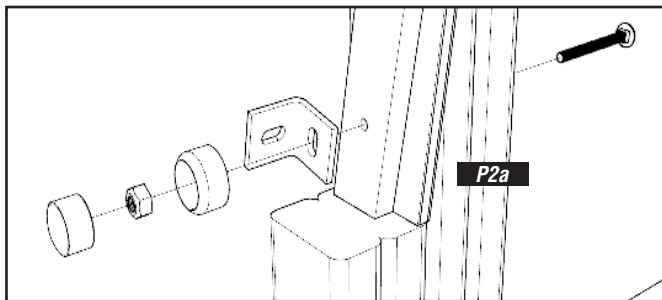
USING M8X80MM WOOD SCREWS



**23**

**SECURE ANGLE CLEATS TO FRONT DASH HEX ARCH - CIRCLED**

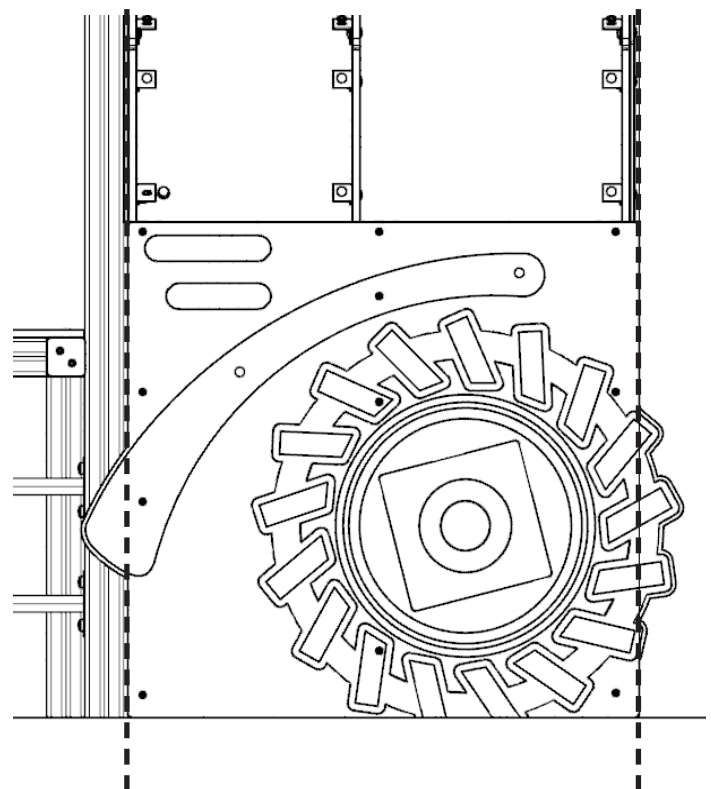
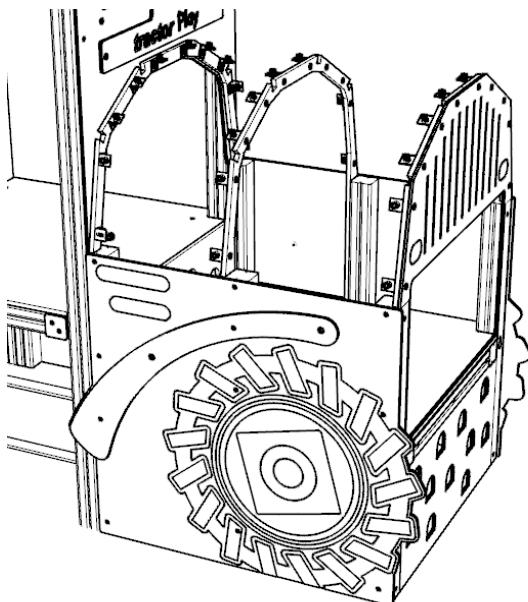
USING 274.M12X140 / 656.M12 / 102003-01



**24**

**ATTACH FRONT WHEEL PANELS TO EITHER SIDE OF TOWER 3**

USING M8X80MM WOOD SCREWS, THE WHEEL ARCH IS MEANT TO OVERLAP TOWER 2 TIMBERS!

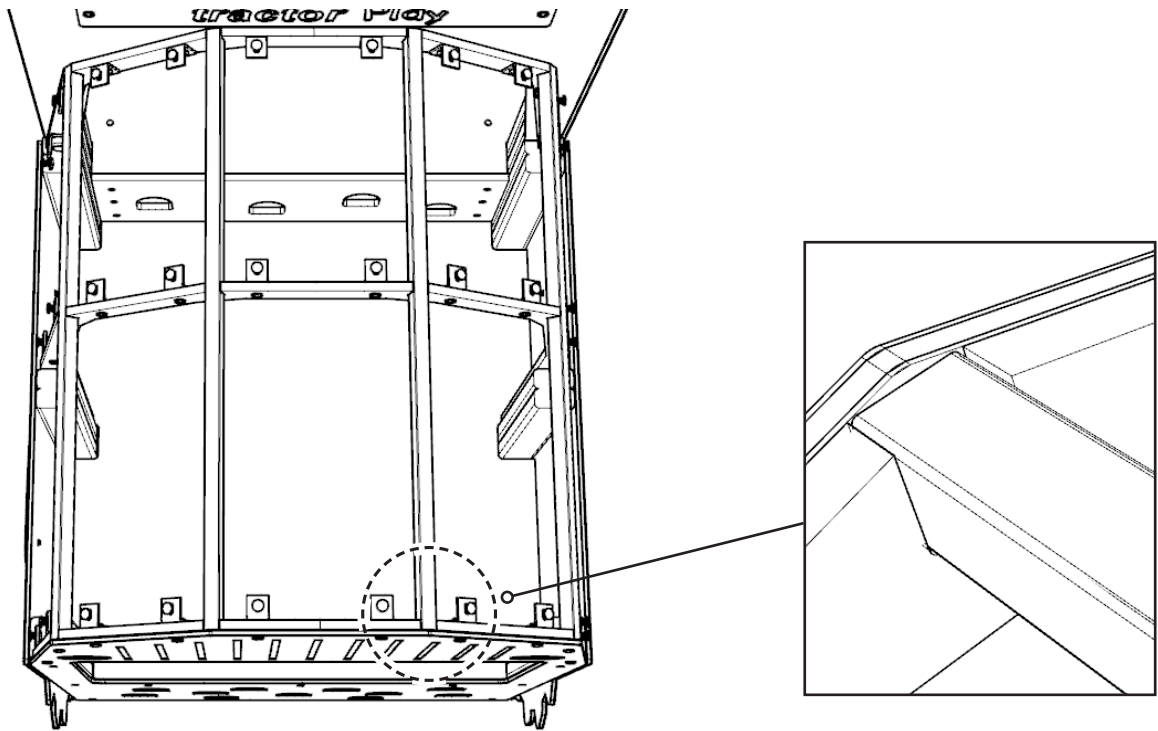


**NOTES:**

ENSURE FRONT WHEEL PANELS SIT FLAT ON THE GROUND AND ARE POSITIONED CENTRALLY ON TOWER 3

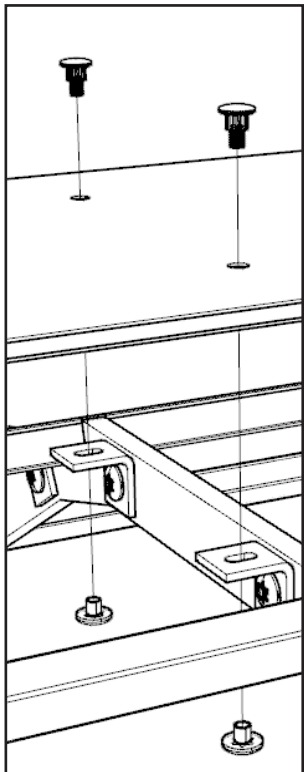
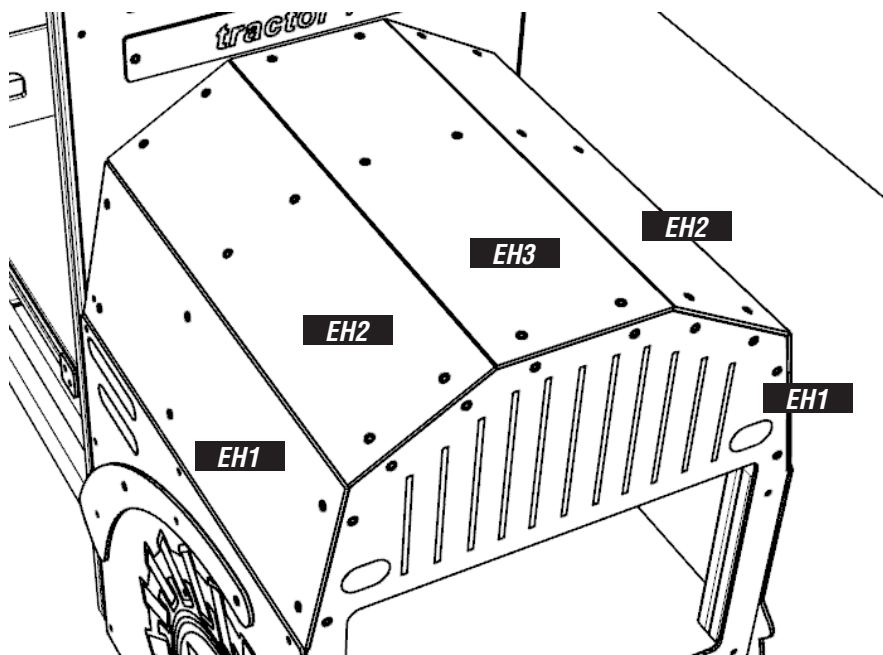
**25**

**POSITION METAL BOX SECTION IN HEXAGRIP ARCHES**



**26**

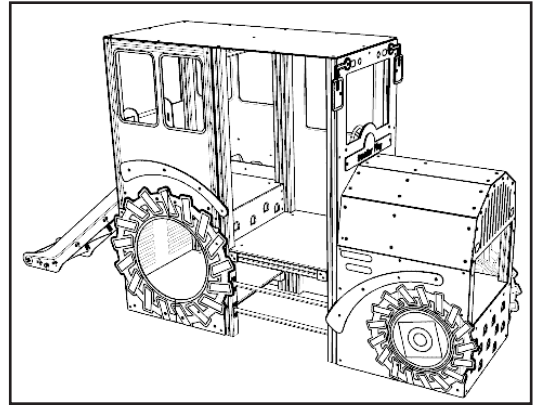
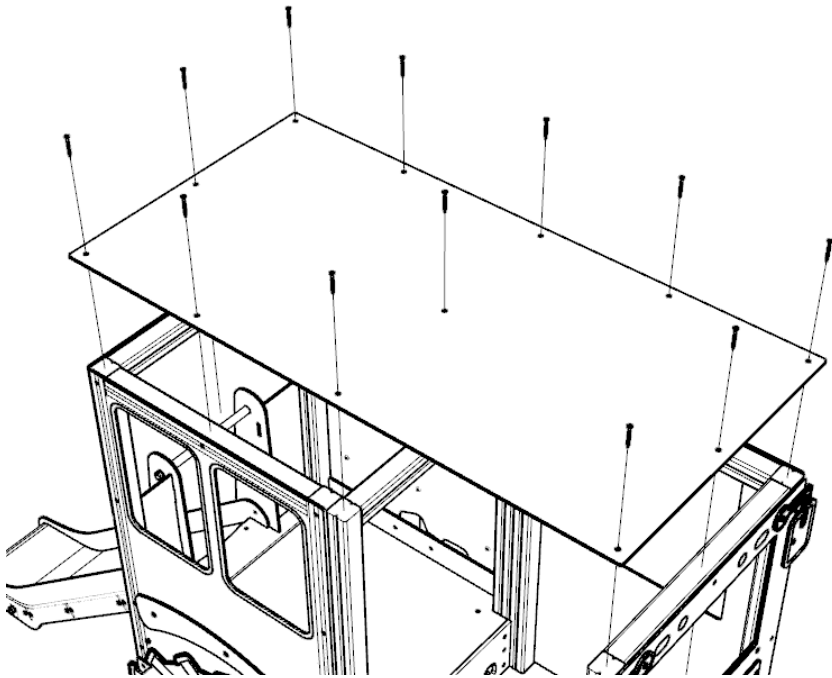
**ATTACH ENGINE HOOD PANELS TO HEX ARCHES ANGLE CLEATS**  
USING 3B/N1 TORKTAINERS, TORKTAINER BOLTS MUST BE ON TOP SIDE OF ENGINE HOOD



**27**

**ATTACH PLAYTEC ROOF PANEL TO ROOF TIMBERS**

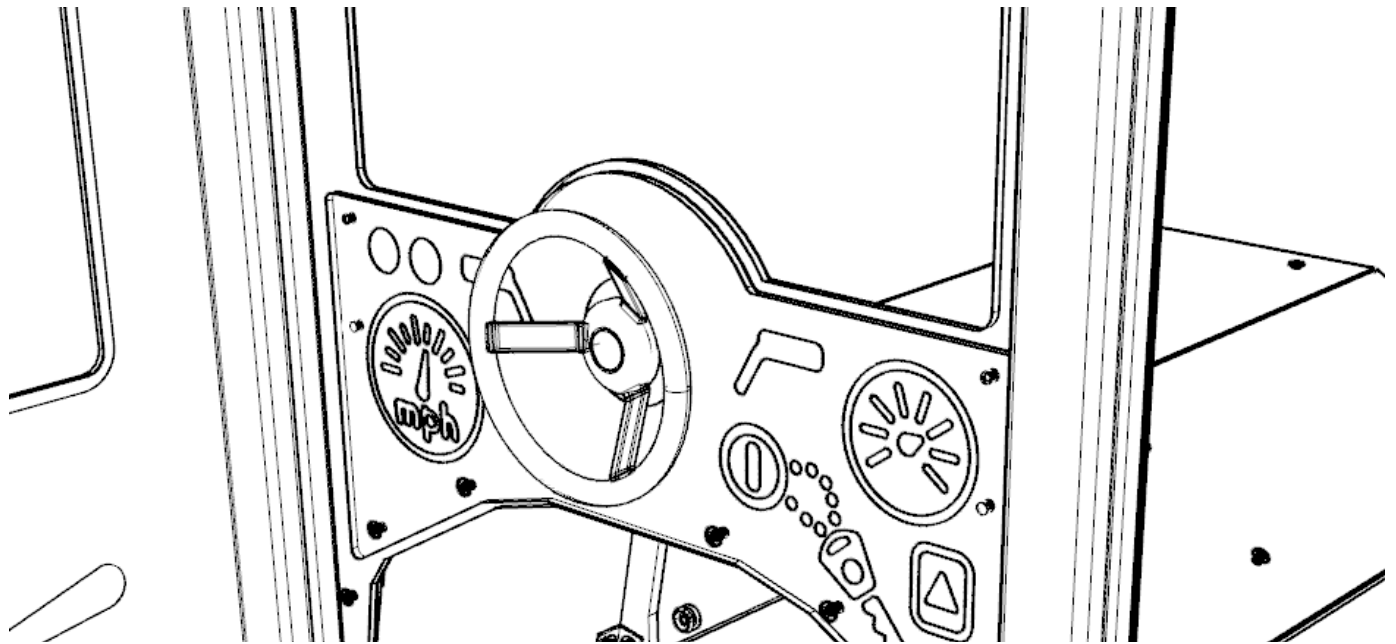
*USING M8X80MM WOOD SCREWS*



**28**

**ATTACH STEERING WHEEL TO DASH PANEL ON INSIDE OF TOWER 2**

*USING STEERING WHEEL FIXINGS*



# ADDITIONAL DIMENSIONS

