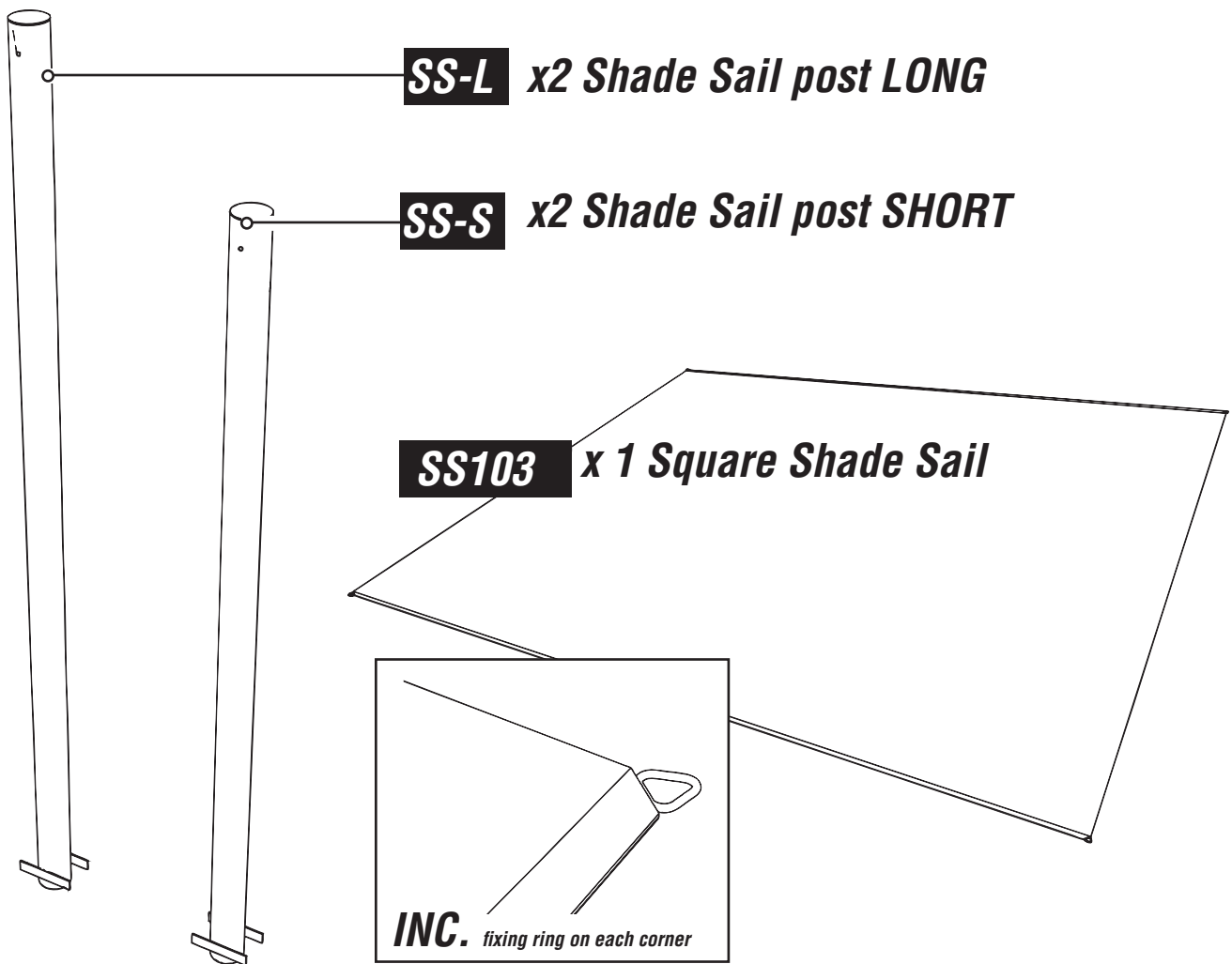


# **SAIL SHADE SQUARE (6M)**

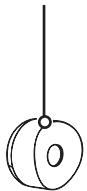
## *Installation Instructions*



# PARTS required



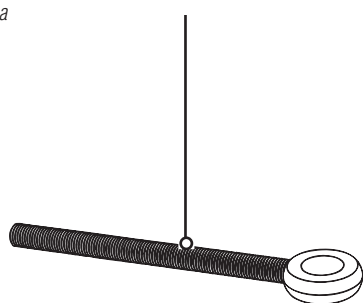
**x4** (Covered end cap R60)  
NOT STANDARD END CAP - has a  
radius cut into it



**x4** (M12 Nylocs)



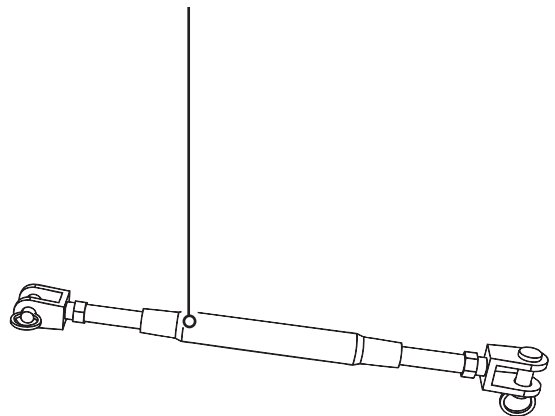
**x4** (M12 EYEBOLT)



**x4** (BOW SHACKLE)

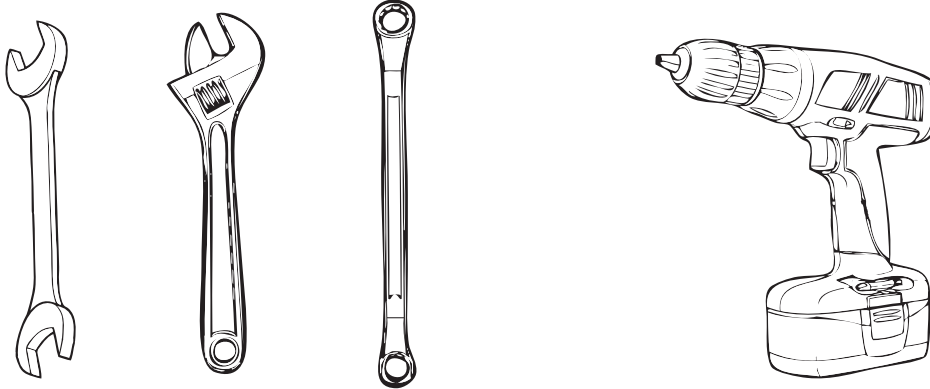


**x4** (RIGGING SCREW)

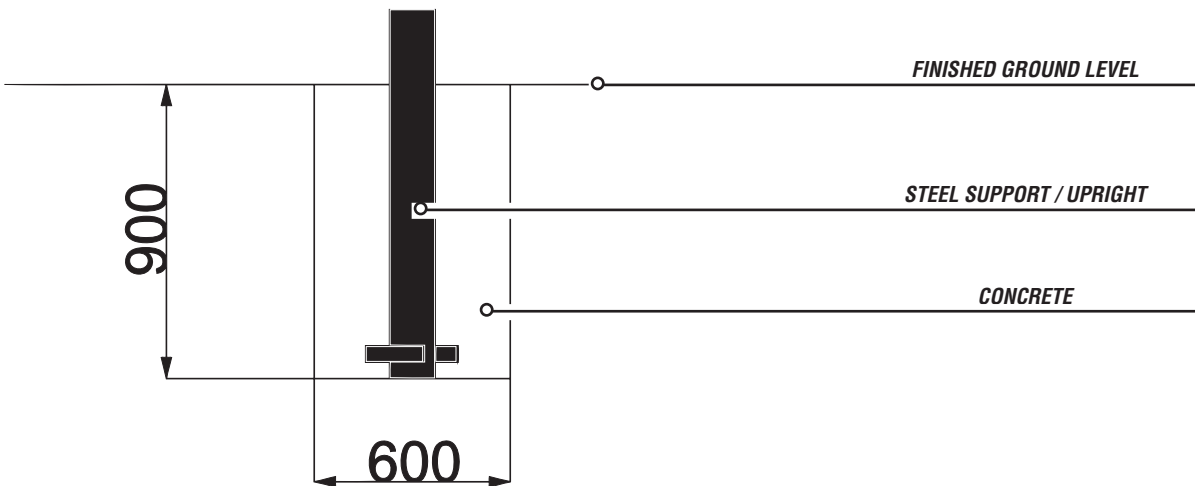
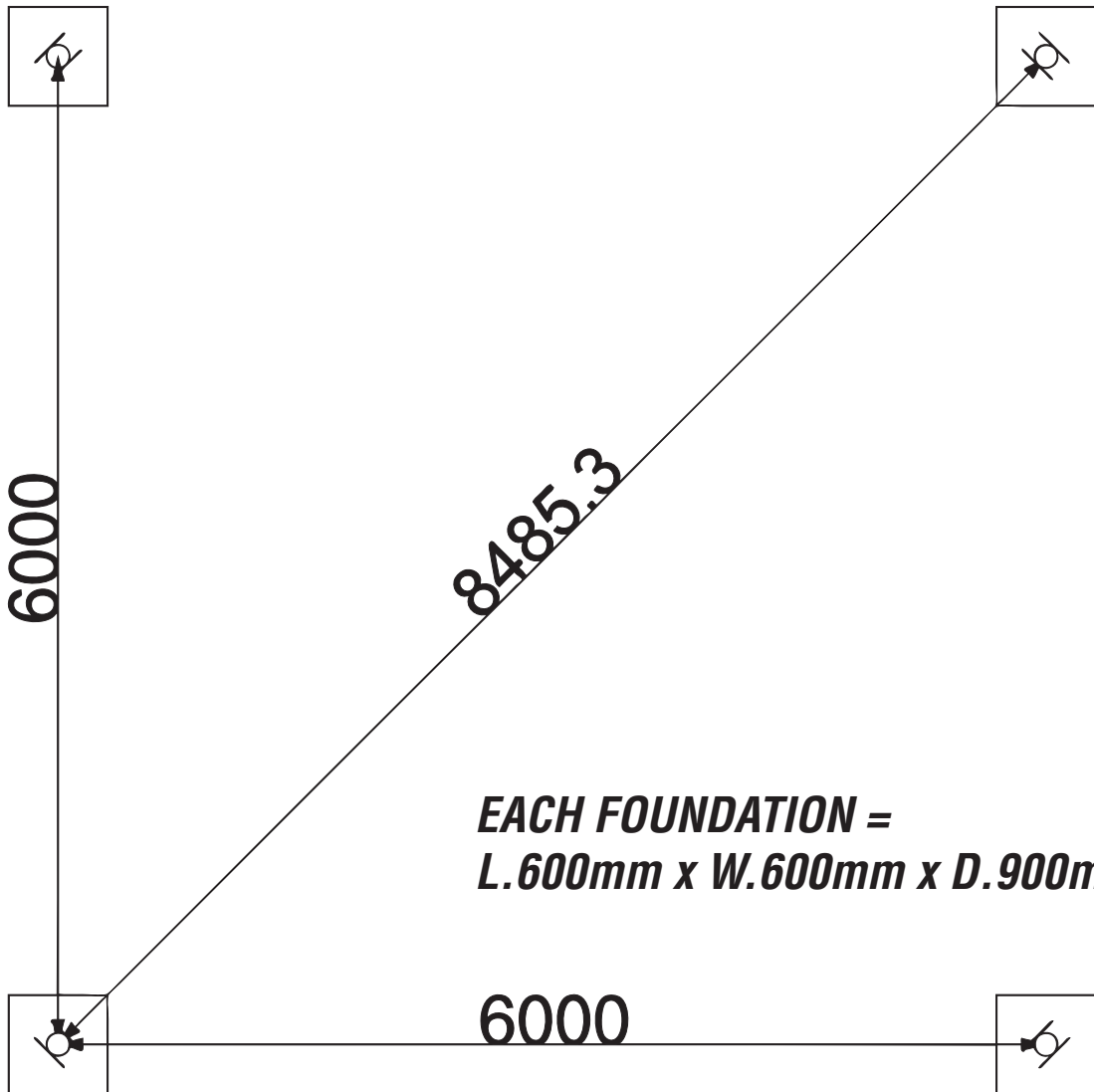


# ***TOOLS required***

---



# Foundation Details

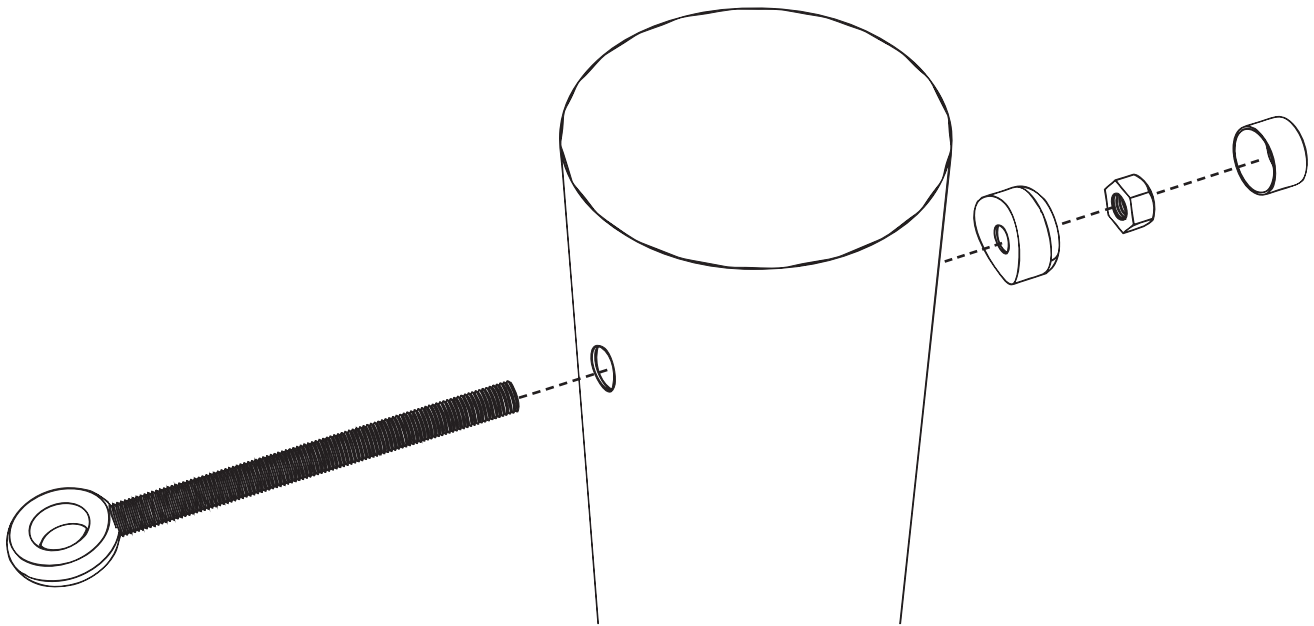


# Assembly Instructions

**1**

## Attach the EYEBOLTS to the 4 uprights

Using NYLOCS / Covered end cap R60

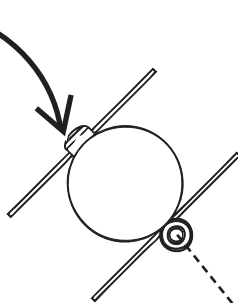


**2**

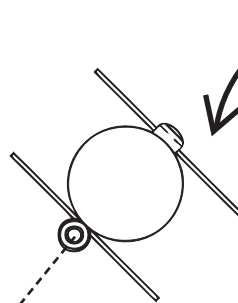
## Position the 4 uprights

ENSURE the POSTS are positioned as shown below

**SS-S**



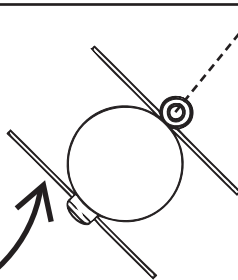
**SS-L**



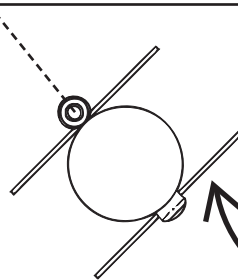
### NOTES:

- 1 - THE LONG SUPPORTS (SS-L) are positioned DIAGONALLY ACROSS FROM EACH OTHER
- 2 - THE SHORT SUPPORTS (SS-S) are positioned DIAGONALLY ACROSS FROM EACH OTHER
- 3 - EYEBOLTS should be facing UP

**SS-L**



**SS-S**

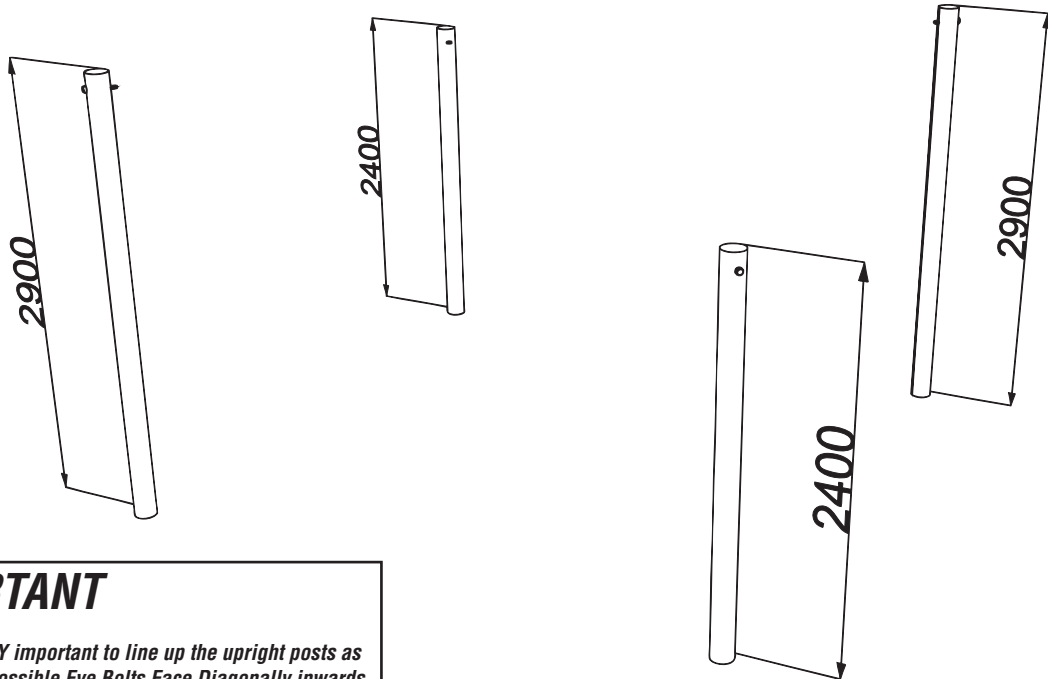


# Assembly Instructions

**3**

**SHORT POSTS will be 2.4m & LONG POSTS 2.9m**

Measurements are taken from GROUND LEVEL



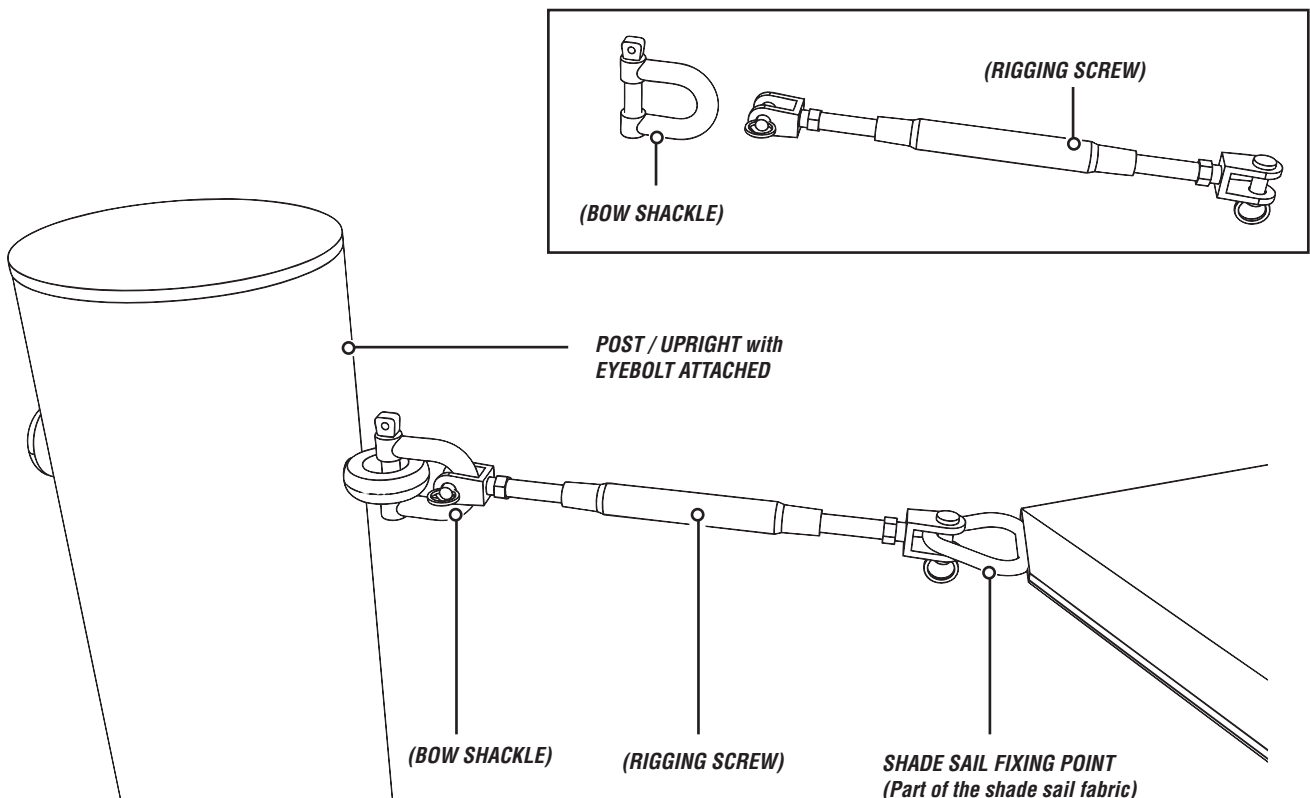
## IMPORTANT

It is **EXTREMELY** important to line up the upright posts as accurately as possible Eye Bolts Face Diagonally inwards

**4**

**Attach the BOW SHACKLES and RIGGING SCREWS**

Attach the following - BOW SHACKLE to eyebolt / RIGGING SCREW to bow shackle / SHADE SAIL FIXING POINT to rigging screw



# Assembly Instructions

---

**5**

## FURTHER SAIL SHADE INSTRUCTIONS

The below info is from the SAIL SHADE FABRIC MANUFACTURER

### Installing the Sail Shade FABRIC

#### 1 - LAY OUT and ATTACH FIXINGS / COMPONENTS

EACH sail point will use a RIGGING SCREW and BOW SHACKLE. Unwind the RIGGING SCREWS to full extension, and attach to the SHADE SAIL FIXING POINT

#### 2 - ATTACH the SAIL

Attach the RIGGING SCREWS (now attached to the SAIL) to the EYEBOLT on the POST / UPRIGHT  
At this stage leave the RIGGING SCREWS FULLY UNWOUND until all points are attached. Move from point to point until sail is attached to each EYEBOLT.

**NOTE:** The Sail fabric is manufactured to allow 'STRETCH' it will may require considerable force to wrench up the last point to get them close to the fixing points (EYEBOLTS)

If required create a PULLEY EFFECT to pull the last point up. This can be done by tying rope onto the SAIL SHADE FIXING POINT and looping it through the fixing point (EYEBOLT)

#### 3 - TIGHTEN / 'WIND' THE RIGGING SCREWS

With each point attached to the EYEBOLTS move from point to point TIGHTENING each RIGGING SCREW

**NOTE:** Work your way round TIGHTENING EACH POINT. Each rigging screw should be tightened EQUALLY

