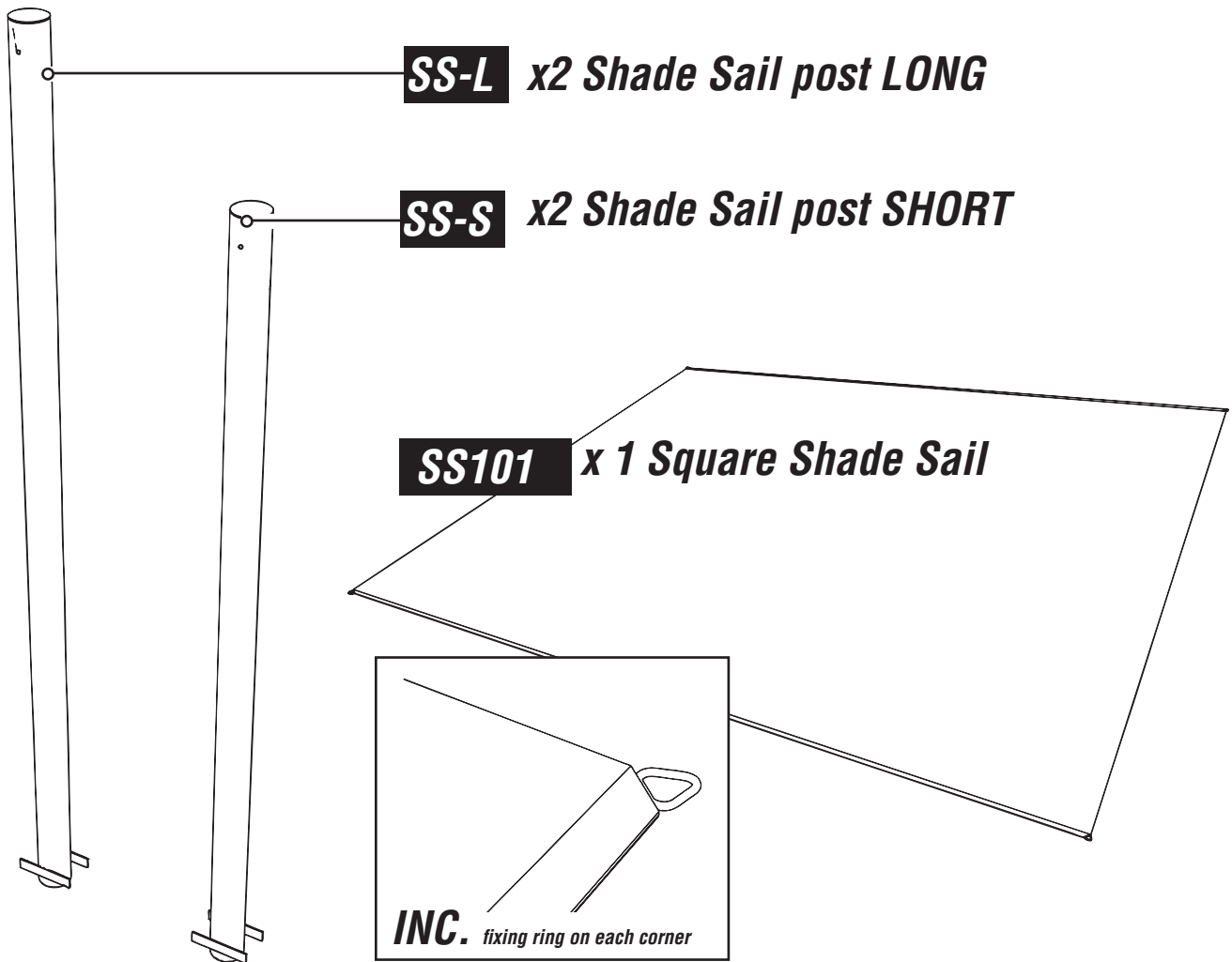


# **SAIL SHADE SQUARE (4M)**

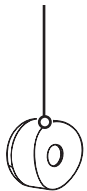
## *Installation Instructions*



# PARTS required

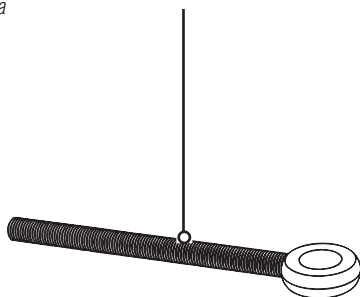


**x4** (Covered end cap R60)  
NOT STANDARD END CAP - has a  
radius cut into it



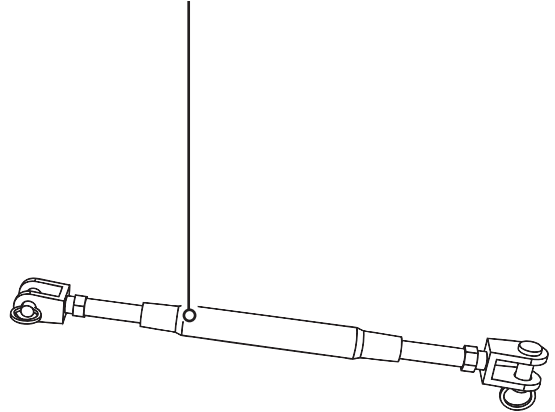
**x4** (M12 Nylocs)

**x4** (M12 EYEBOLT)



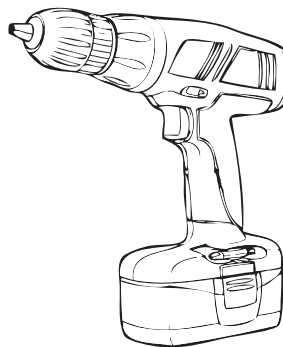
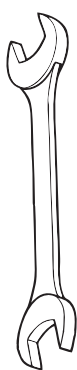
**x4** (BOW SHACKLE)

**x4** (RIGGING SCREW)

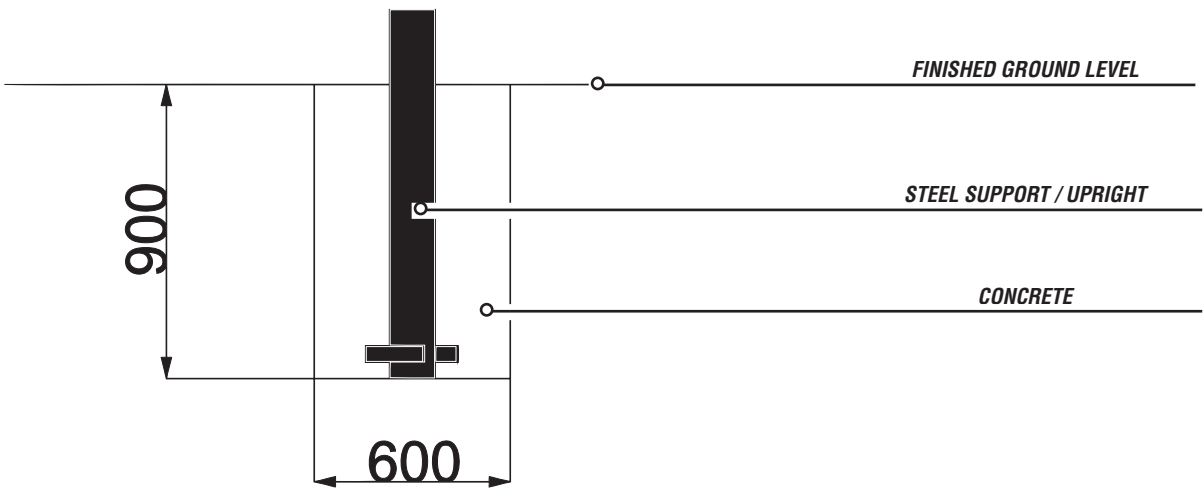
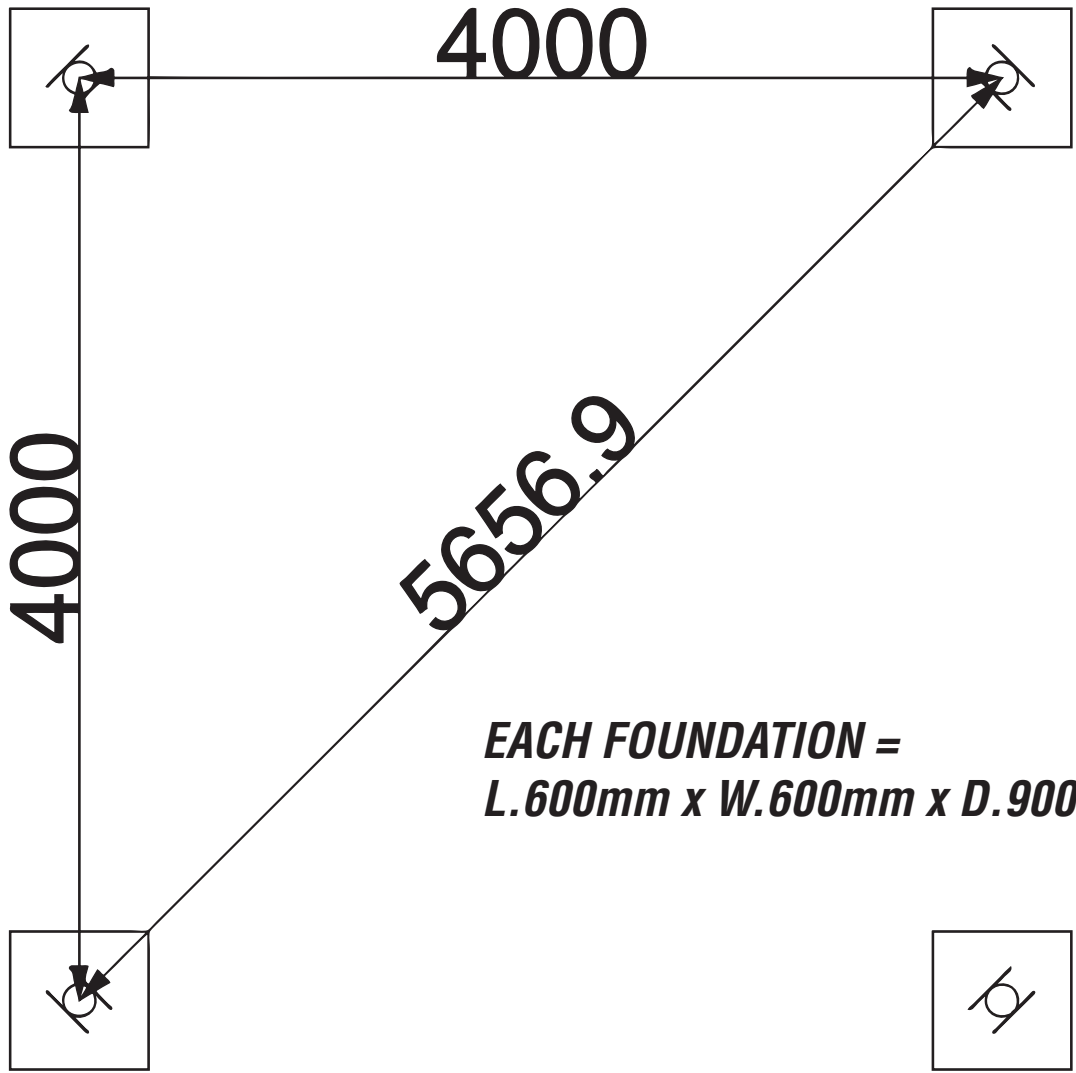


# ***TOOLS required***

---



# Foundation Details

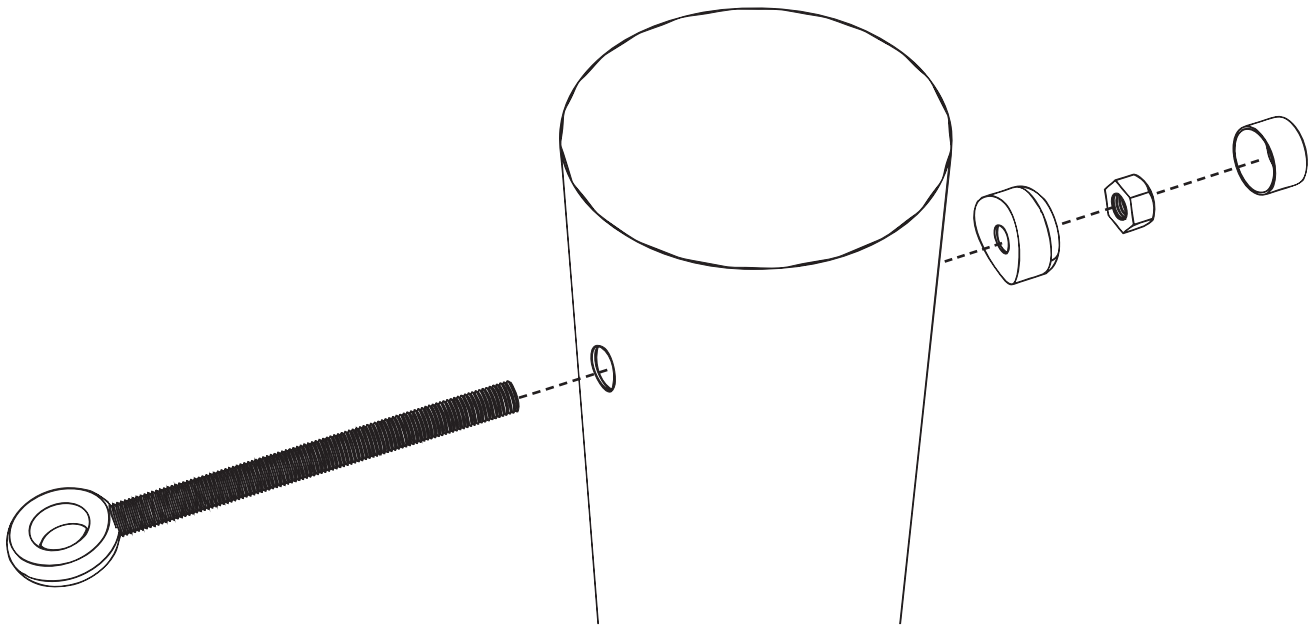


# Assembly Instructions

**1**

## Attach the EYEBOLTS to the 4 uprights

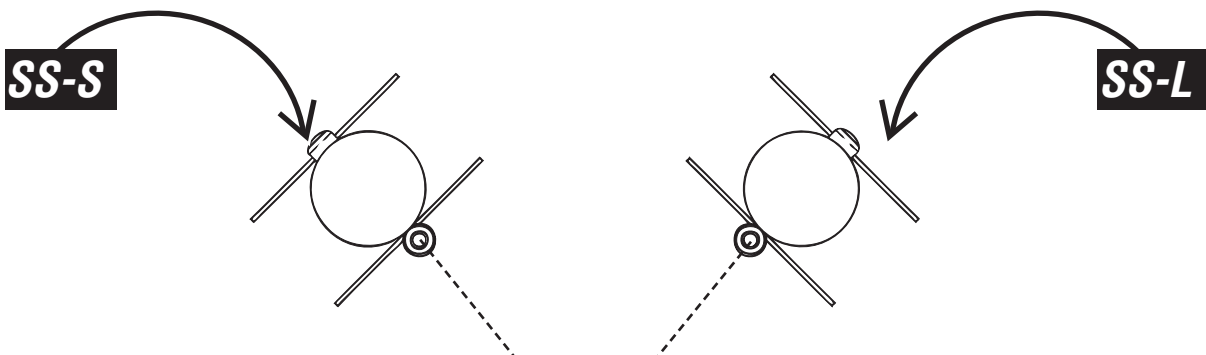
Using NYLOCS / Covered end cap R60



**2**

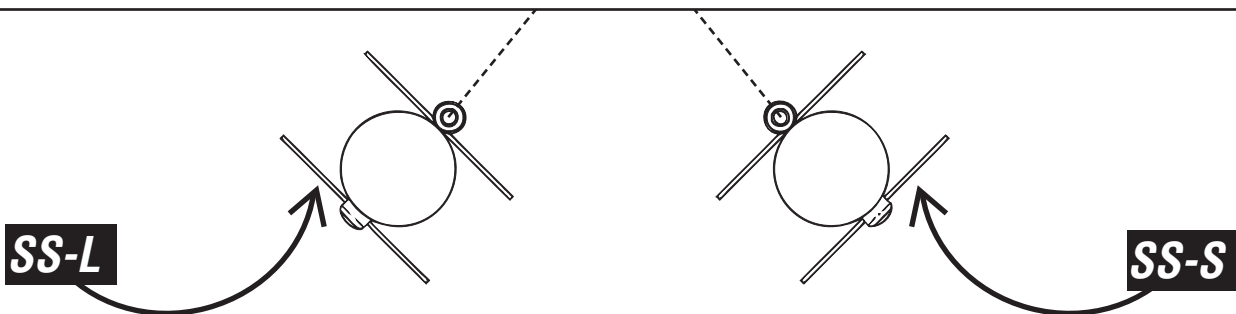
## Position the 4 uprights

ENSURE the POSTS are positioned as shown below



### NOTES:

- 1 - THE LONG SUPPORTS (SS-L) are positioned DIAGONALLY ACROSS FROM EACH OTHER
- 2 - THE SHORT SUPPORTS (SS-S) are positioned DIAGONALLY ACROSS FROM EACH OTHER
- 3 - EYEBOLTS should be facing UP

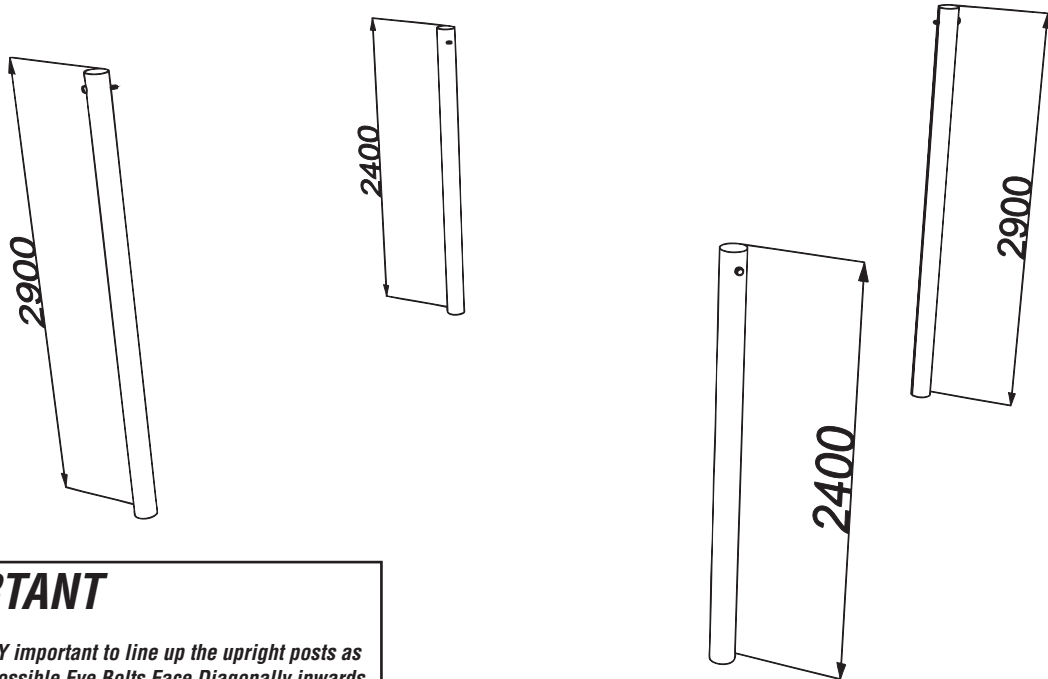


# Assembly Instructions

**3**

**SHORT POSTS will be 2.4m & LONG POSTS 2.9m**

Measurements are taken from GROUND LEVEL



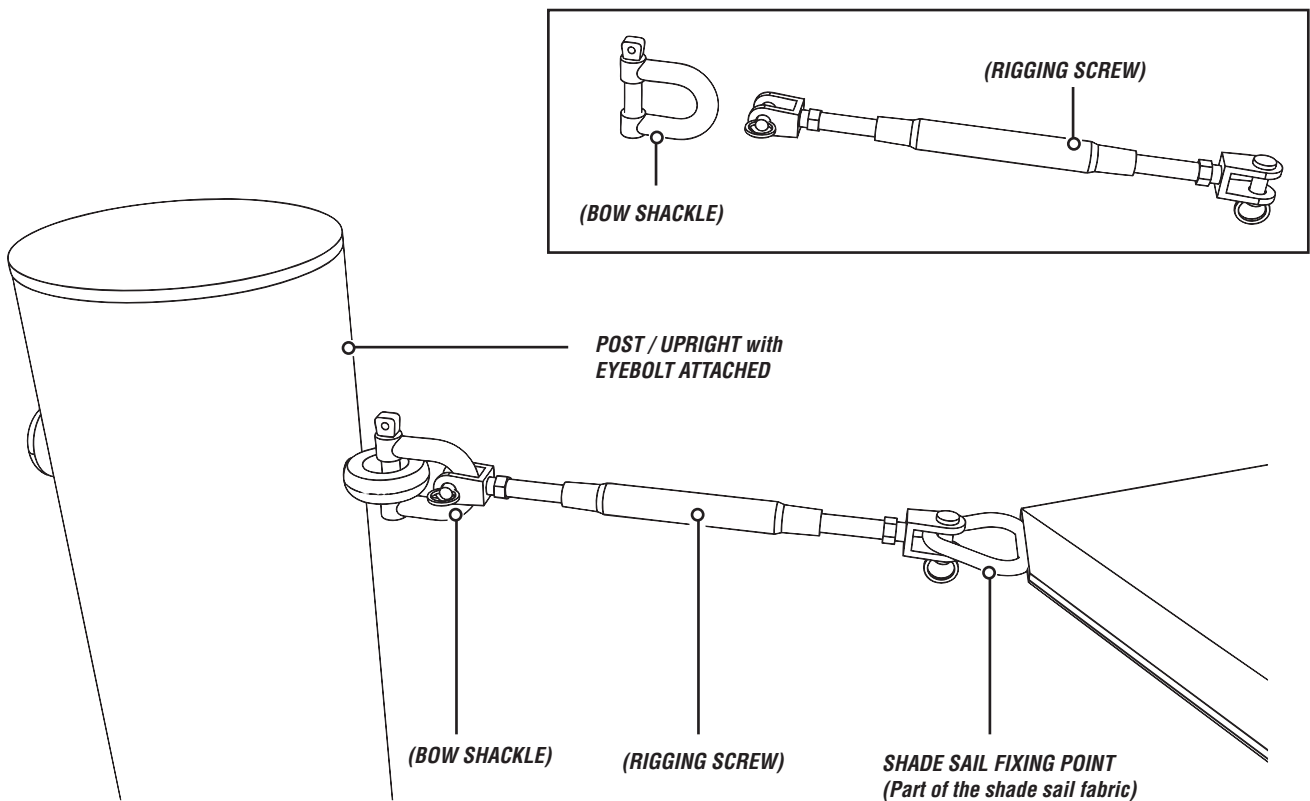
## IMPORTANT

It is **EXTREMELY** important to line up the upright posts as accurately as possible Eye Bolts Face Diagonally inwards

**4**

**Attach the BOW SHACKLES and RIGGING SCREWS**

Attach the following - BOW SHACKLE to eyebolt / RIGGING SCREW to bow shackle / SHADE SAIL FIXING POINT to rigging screw



# Assembly Instructions

---

**5**

## FURTHER SAIL SHADE INSTRUCTIONS

*The below info is from the SAIL SHADE FABRIC MANUFACTURER*

### Installing the Sail Shade FABRIC

#### 1 - LAY OUT and ATTACH FIXINGS / COMPONENTS

*EACH sail point will use a RIGGING SCREW and BOW SHACKLE. Unwind the RIGGING SCREWS to full extension, and attach to the SHADE SAIL FIXING POINT*

#### 2 - ATTACH the SAIL

*Attach the RIGGING SCREWS (now attached to the SAIL) to the EYEBOLT on the POST / UPRIGHT  
At this stage leave the RIGGING SCREWS FULLY UNWOUND until all points are attached. Move from point to point until sail is attached to each EYEBOLT.*

*NOTE: The Sail fabric is manufactured to allow 'STRETCH' it will may require considerable force to wrench up the last point to get them close to the fixing points (EYEBOLTS)*

*If required create a PULLEY EFFECT to pull the last point up. This can be done by tying rope onto the SAIL SHADE FIXING POINT and looping it through the fixing point (EYEBOLT)*

#### 3 - TIGHTEN / 'WIND' THE RIGGING SCREWS

*With each point attached to the EYEBOLTS move from point to point TIGHTENING each RIGGING SCREW*

*NOTE: Work your way round TIGHTENING EACH POINT. Each rigging screw should be tightened EQUALLY*

