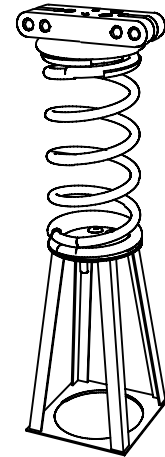
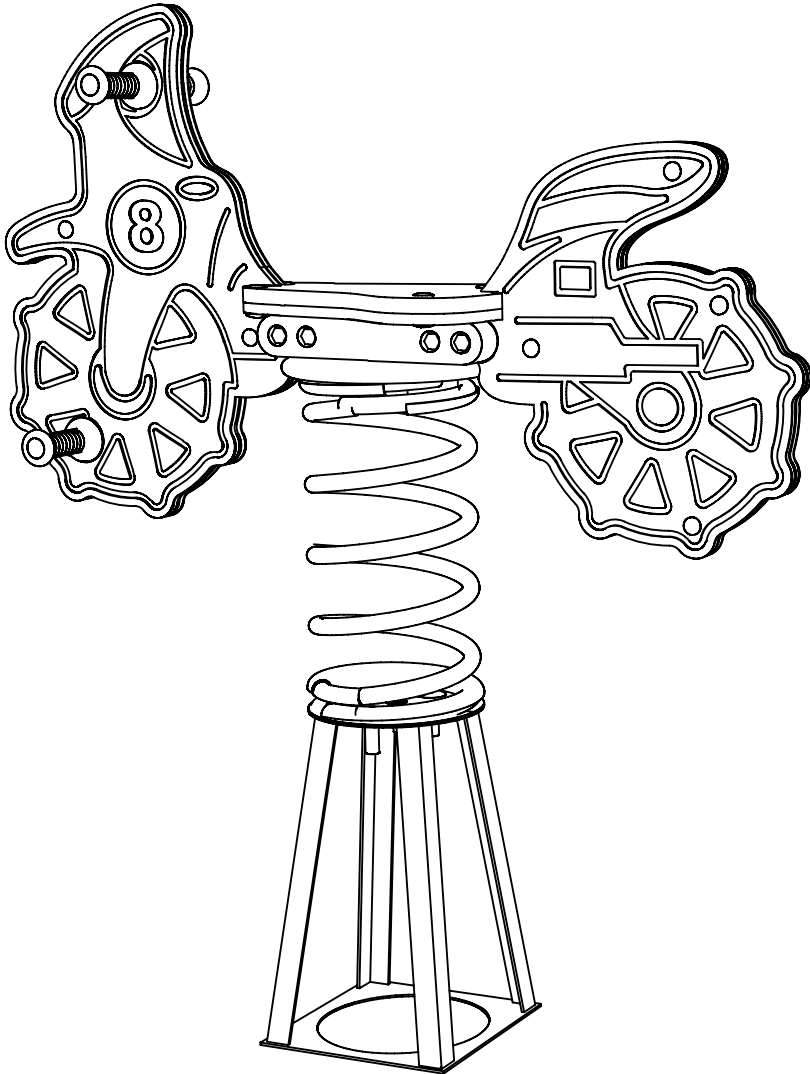


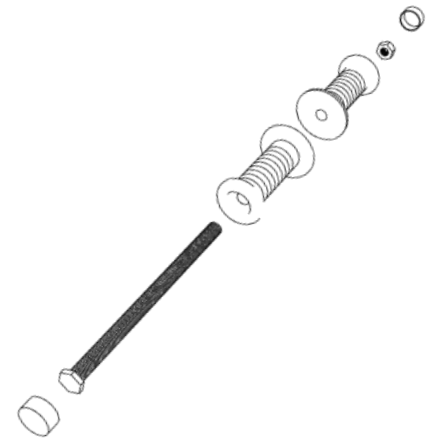
# SR110 - MOTORBIKE SPRING RIDER (SINGLE)

## Installation Instructions



x1

**SPRING ASSEMBLY SET**



x2

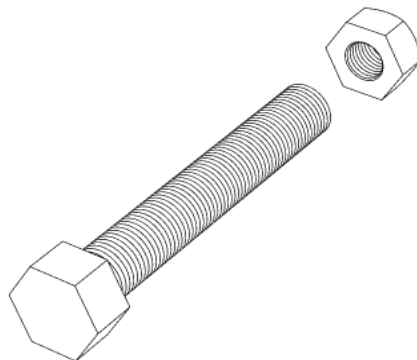
**HANDLE ASSEMBLY (SETS)**

### SR110 - MOTORBIKE SPRING RIDER



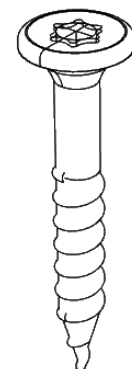
x1

**EYE ASSEMBLY (SETS)**



x4

**M10 BOLT (INC NUT)**

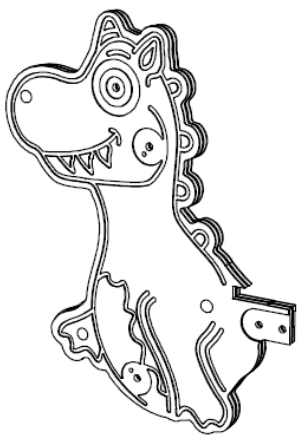


x2

**M6 PLAYTEC SEAT SCREW**

### ABOVE PARTS SUPPLIED WITH SPRING ASSEMBLY

# ADDITIONAL PARTS



x1

**FRONT**



x1

**BACK**



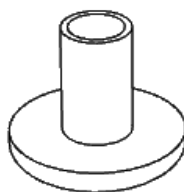
x1

**SEAT (EKO GRIP)**



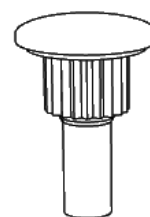
x1

**SEAT (PLAYTEC)**



x4

**TORKTAINER - 3B**

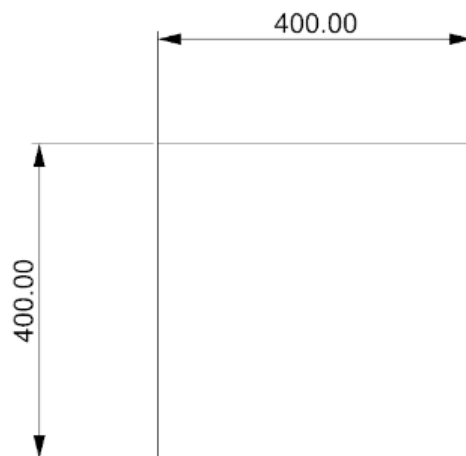
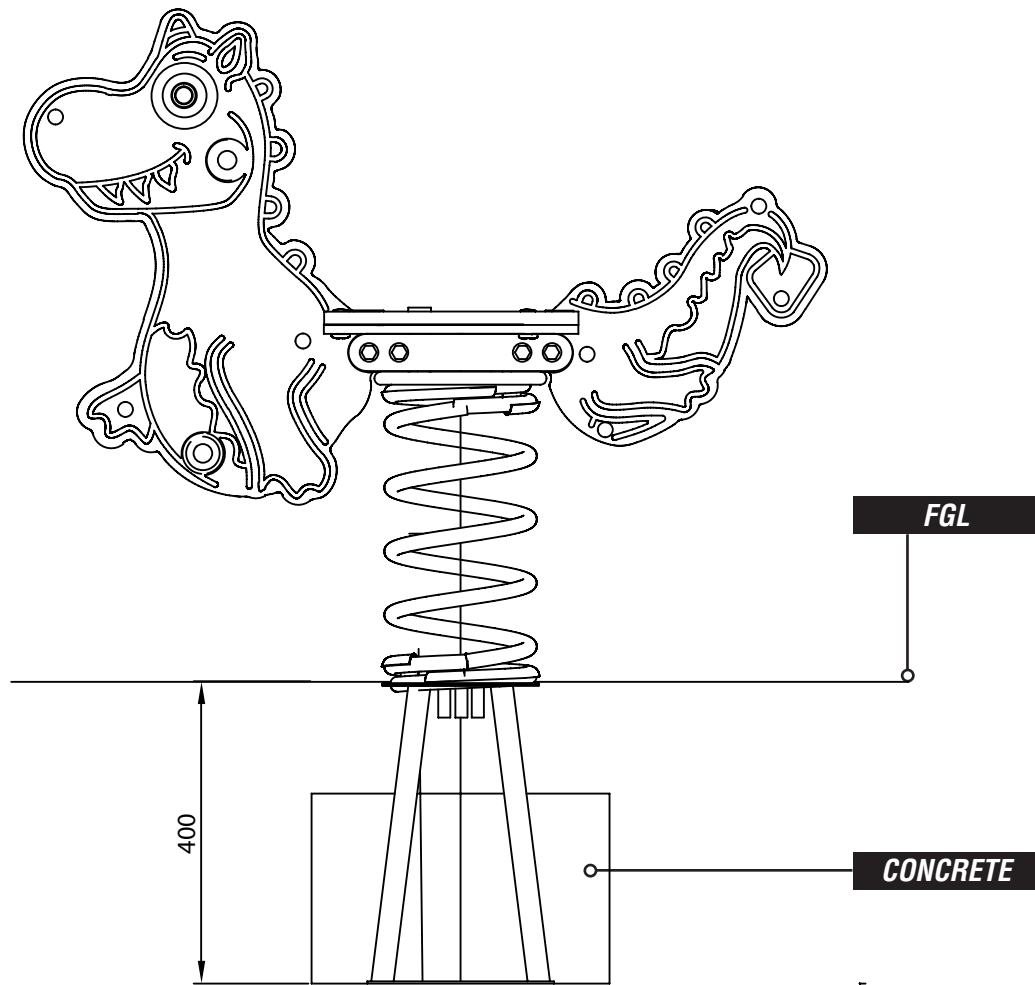


x4

**TORKTAINER - N3**

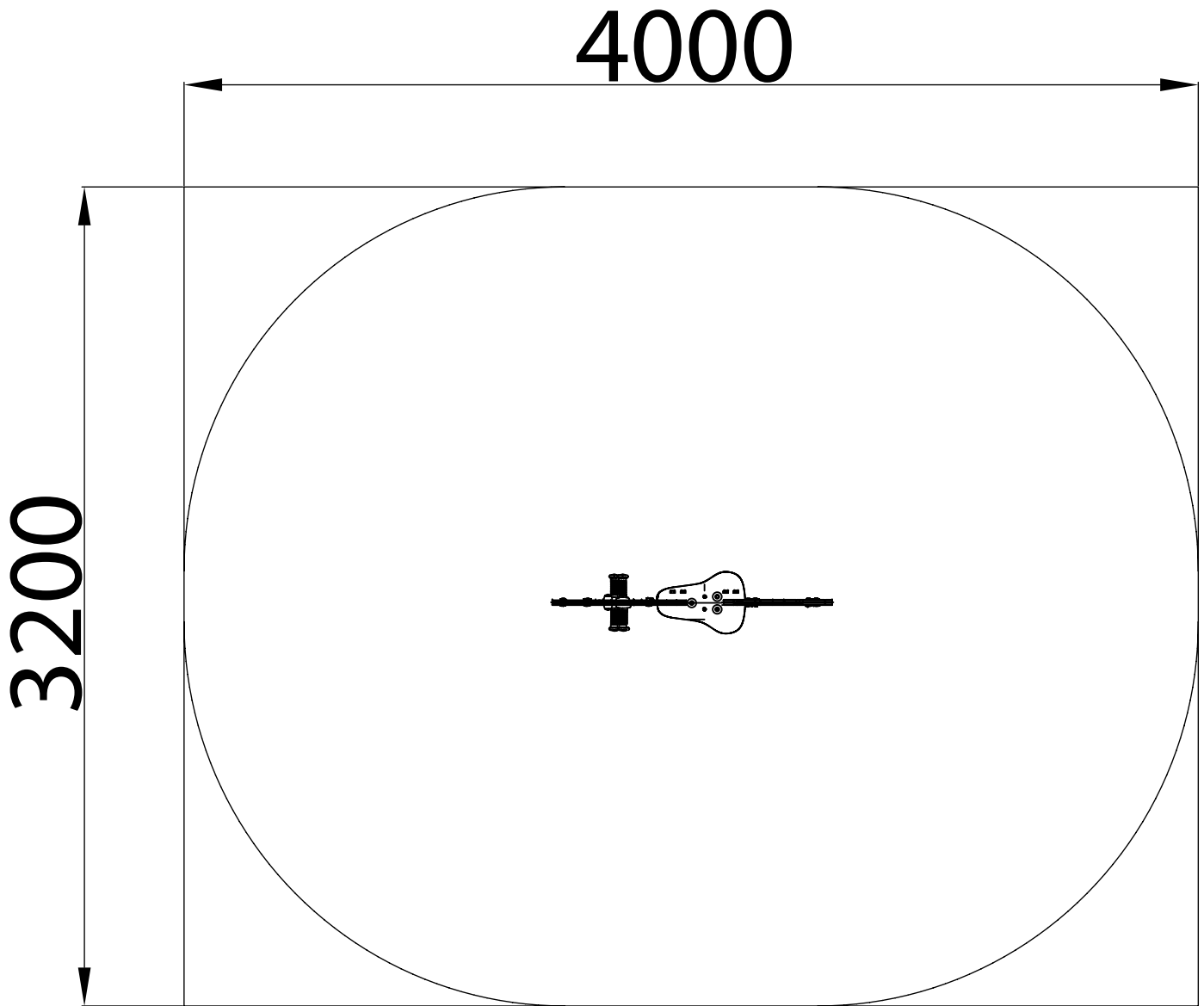
**DRAGON SPRINGER SHOWN, THIS HAS BEEN USED FOR VISUALS ONLY**

# FOUNDATION DETAILS



# ***SURFACING DETAILS***

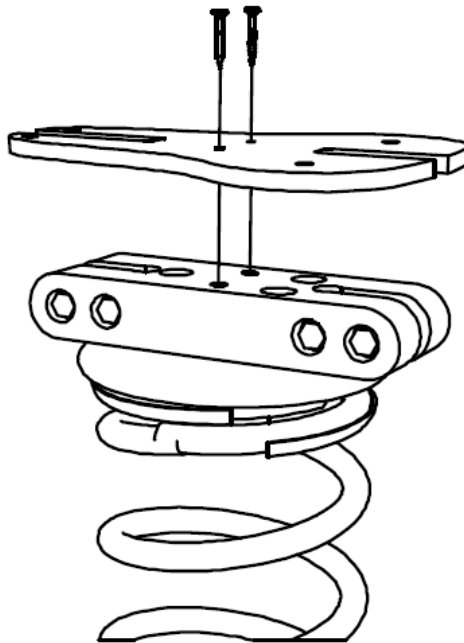
---



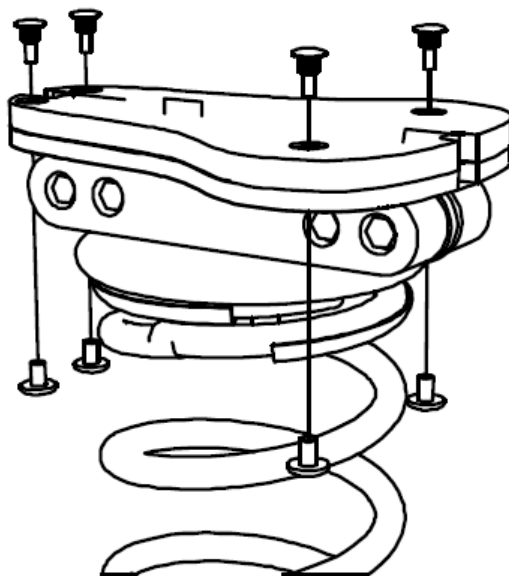
# INSTALLATION INSTRUCTIONS

---

## **1** SCREW SEAT ON SPRING ASSEMBLY USING - SEAT (PLAYTEC) & SCREWS

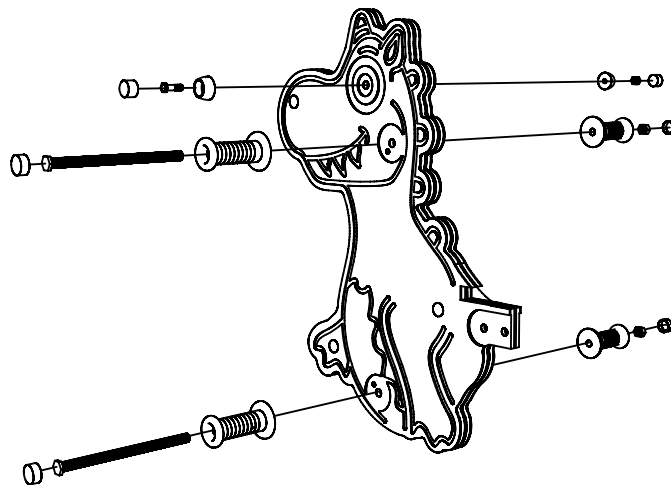


## **2** ATTATCH THE SEAT (EKO GRIP) USING TORKTAINERS 3B-N3

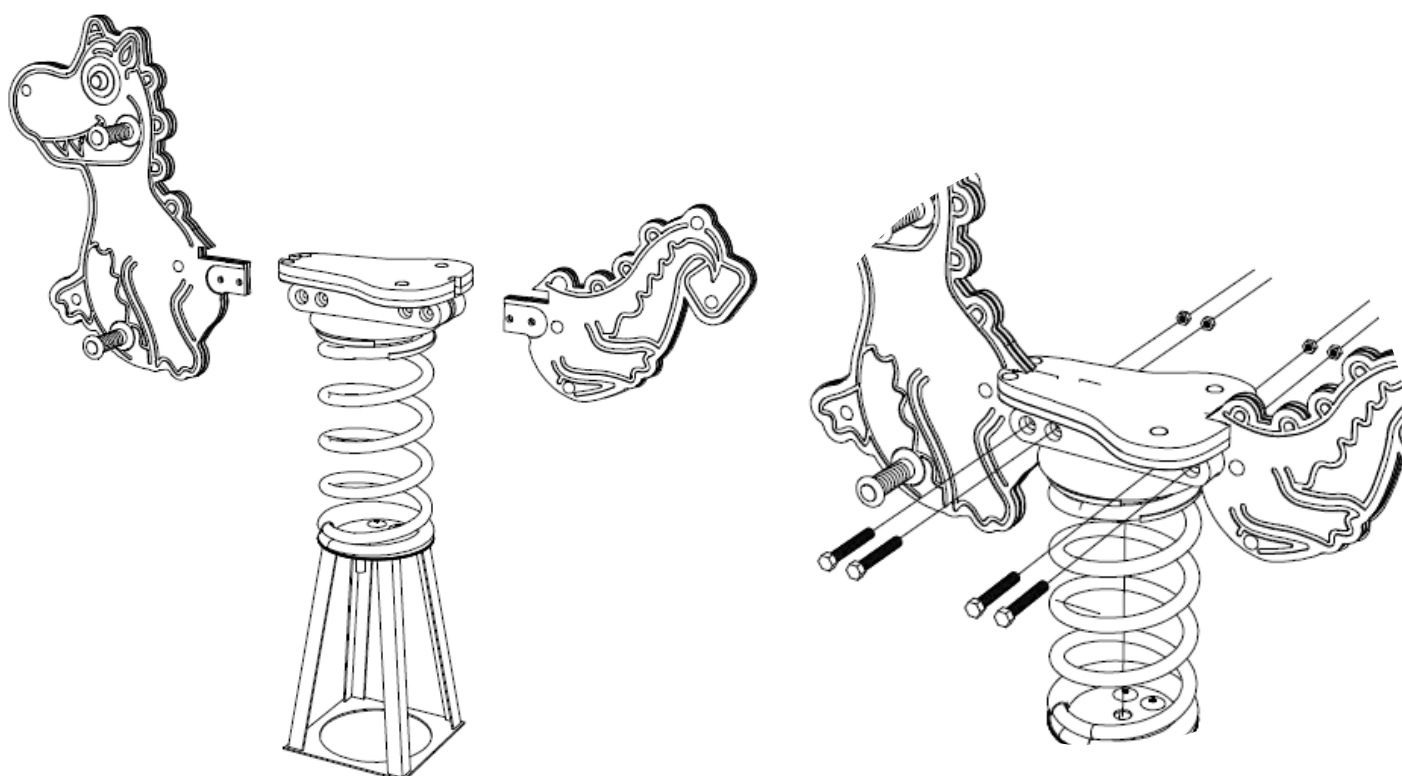


# INSTALLATION INSTRUCTIONS

## 3 ATTATCH HANDLE / EYE SETS TO PLAYTEC USING HANDLE ASSEMBLY (SETS) / EYE ASSEMBLY (SETS)



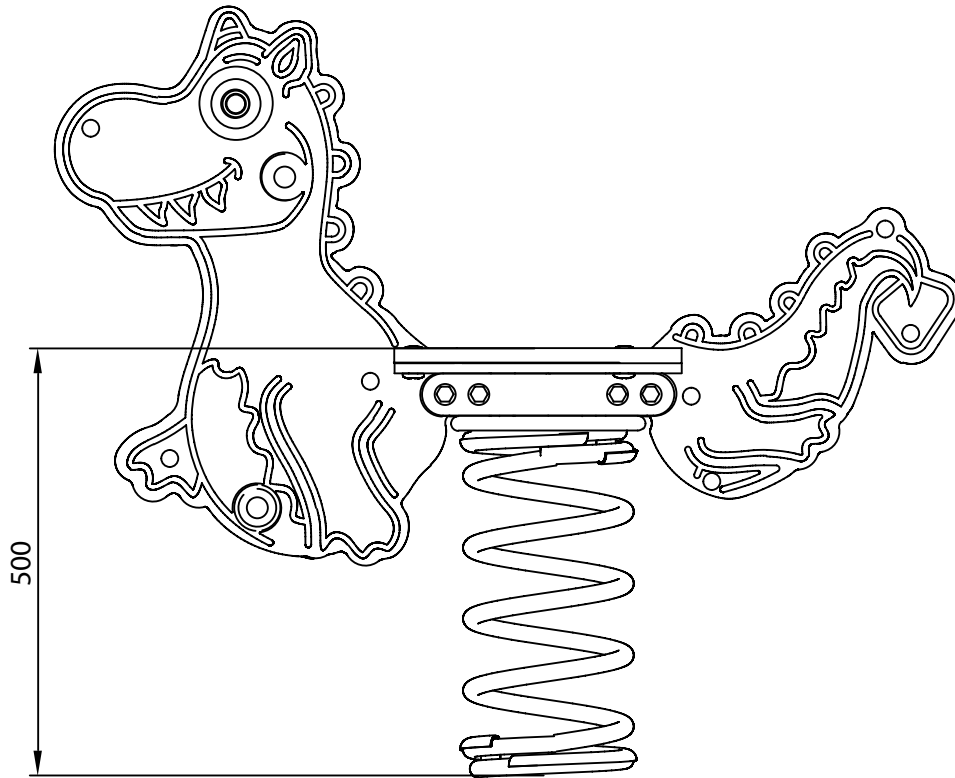
## 4 ATTATCH FRONT AND BACK PLAYTEC TO SPRING ASSEMBLY USING - BOLT (SET) - QUANTITY X 4



**NOTES:**  
- SAME ASSEMBLY PROCESS FOR ALL SPRING RIDER ANIMALS (SINGLE)

# ***ADDITIONAL DIMENSIONS***

---



***SEAT HEIGHT - 500MM***