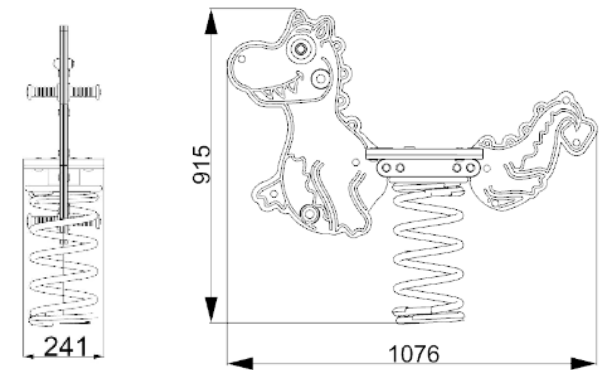
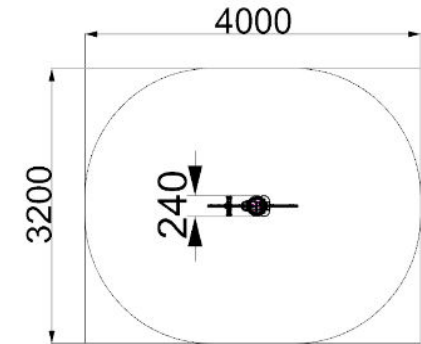


DRAGON SPRING RIDER - SINGLE

**creative
play**

SR107



**Measurements in millimetres*

PRODUCT INFORMATION

PRODUCT CODE SR107

DIMENSIONS LXWXH 1.1M X 0.25M X 0.92M

AGE RANGE 3+

SPARE PART AVAILABILITY 2-4 WEEKS

TECHNICAL INFORMATION

FREE FALL HEIGHT 0.5M

MINIMUM AREA 3.2MX4.0M

MIN. SURFACING AREA 13 SQM

STANDARDS COMPLIANCE BSEN1176

DOWNLOADS

PRODUCT WEBPAGE 

MAINTENANCE INFORMATION 

**Information correct at time of creation*