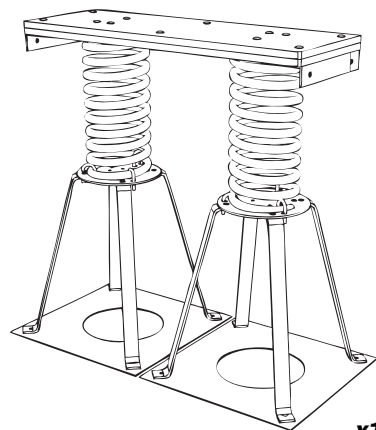
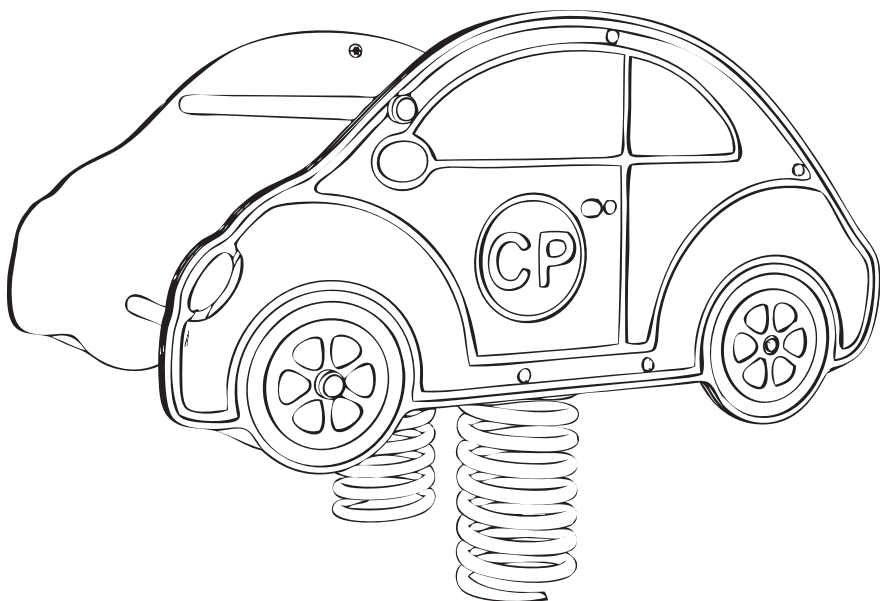
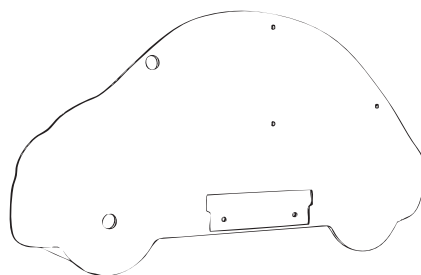


# SR106 - CAR SPRING RIDER (DOUBLE) Installation Instructions

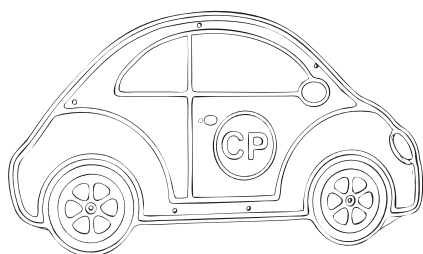


**PRE-ASSEMBLED SEAT / SPRINGS**

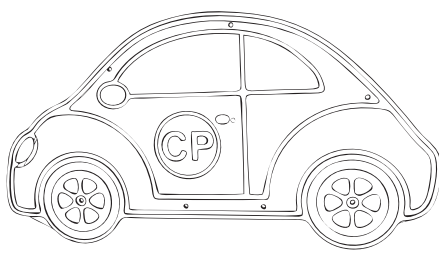


**'RIGHT SIDE' INSIDE**

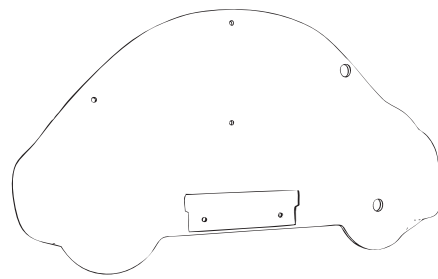
**SR106 - CAR SPRINGER**



**'RIGHT SIDE' OUTSIDE CAR**



**'LEFT SIDE' OUTSIDE CAR**

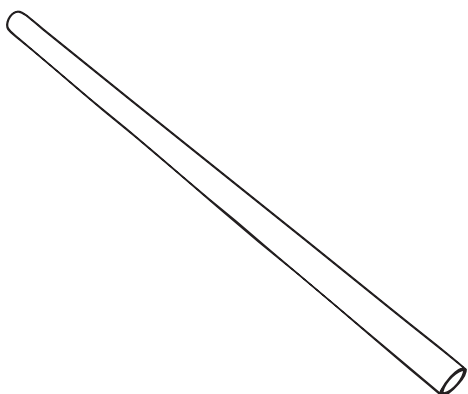


**'LEFT SIDE' INSIDE**

**ABOVE PARTS SUPPLIED WITH SPRING ASSEMBLY**

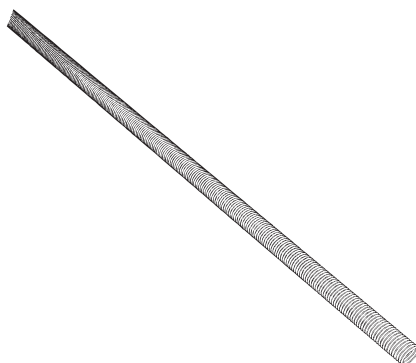
# ADDITIONAL PARTS

---



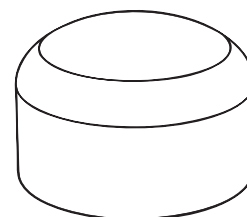
x2

**GLAV TUBE OD 33.7MM**



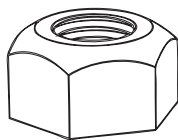
x2

**THREAD BAR 975MM**



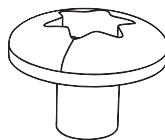
x4

**M12 COVERED END CAP**



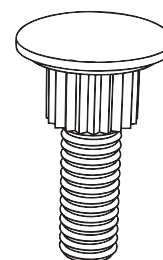
x4

**N12 (NYLOC)**



x12

**TORKTAINER - N1**

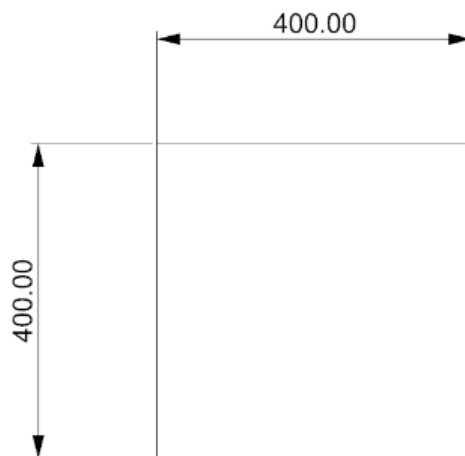
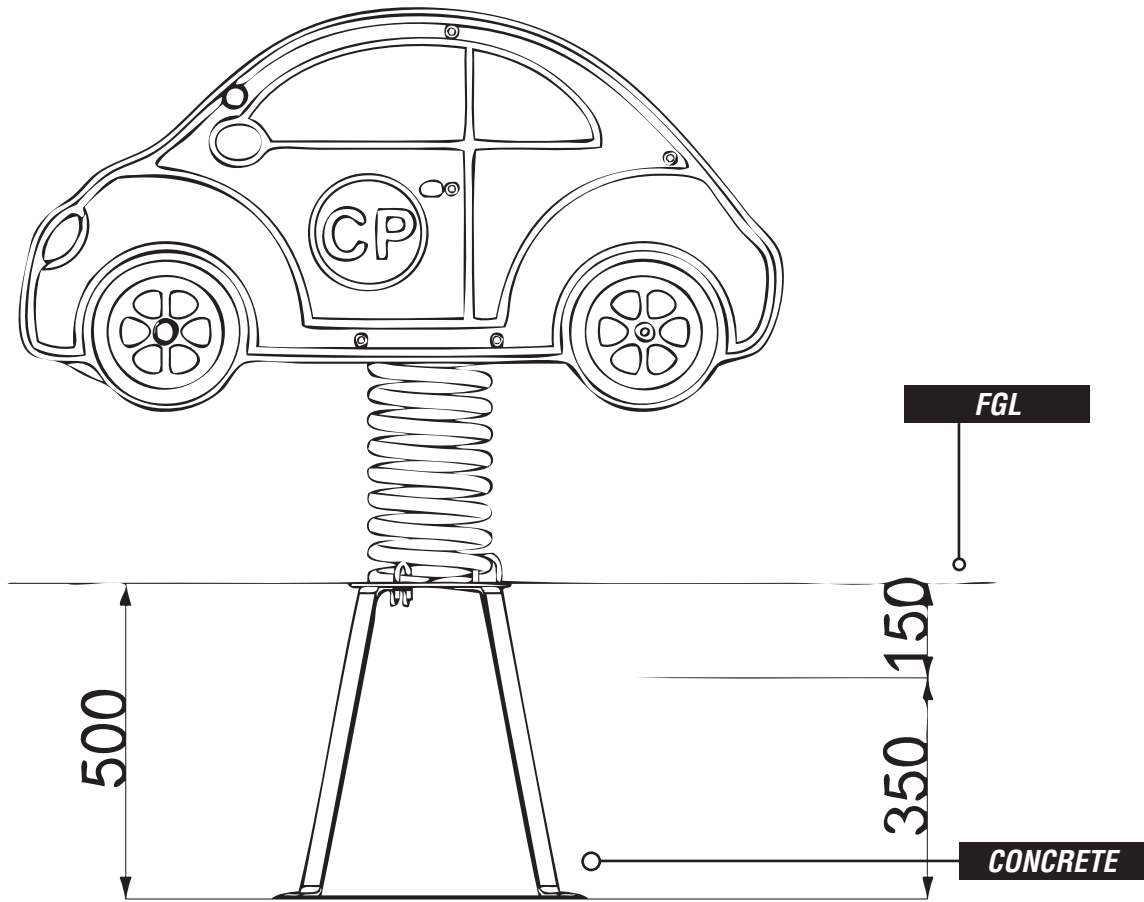


x12

**TORKTAINER - 3B**

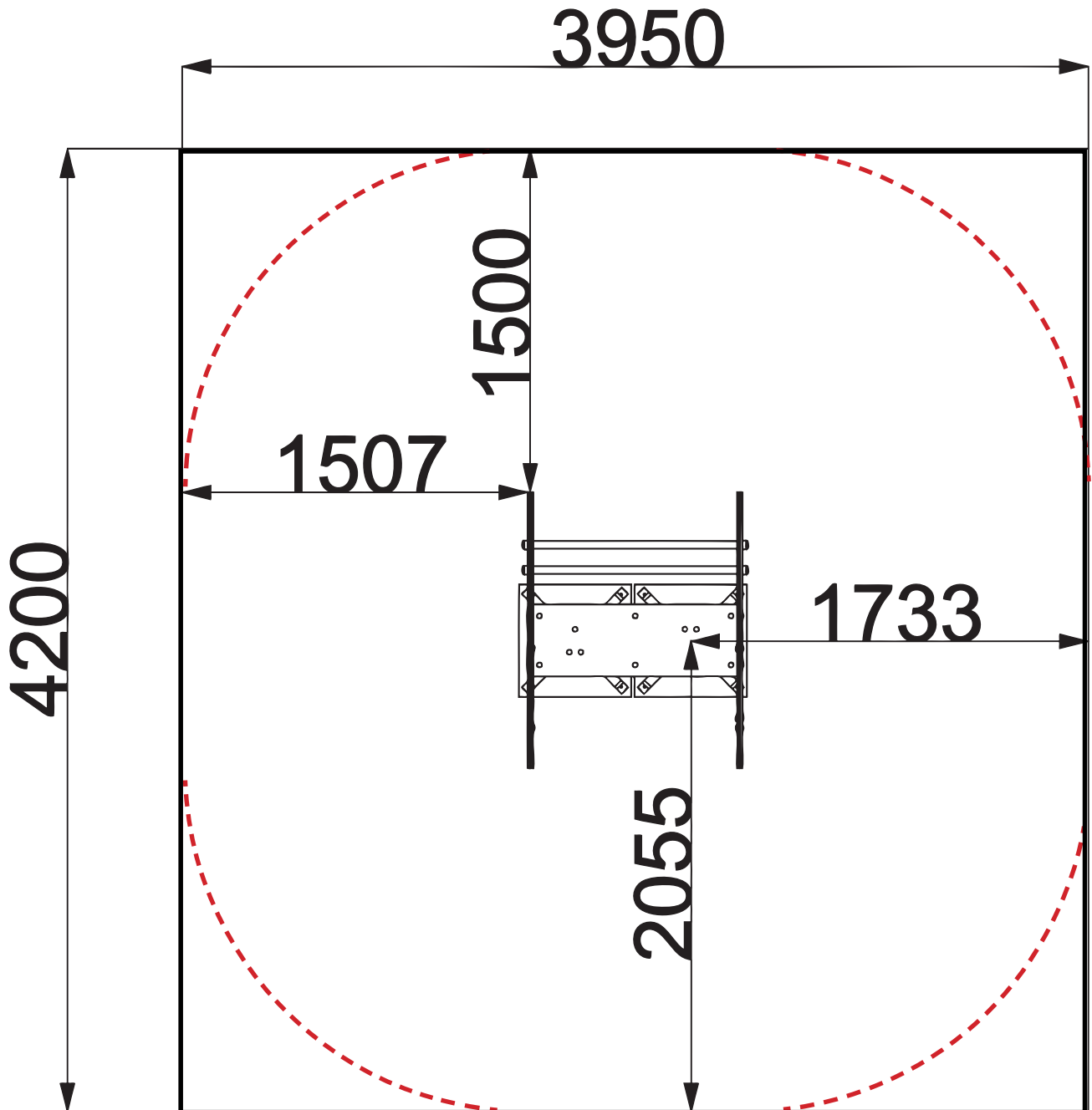
**CAR SPRINGER SHOWN, THIS HAS BEEN USED FOR VISUALS ONLY**

# FOUNDATION DETAILS



# SURFACING DETAILS

---

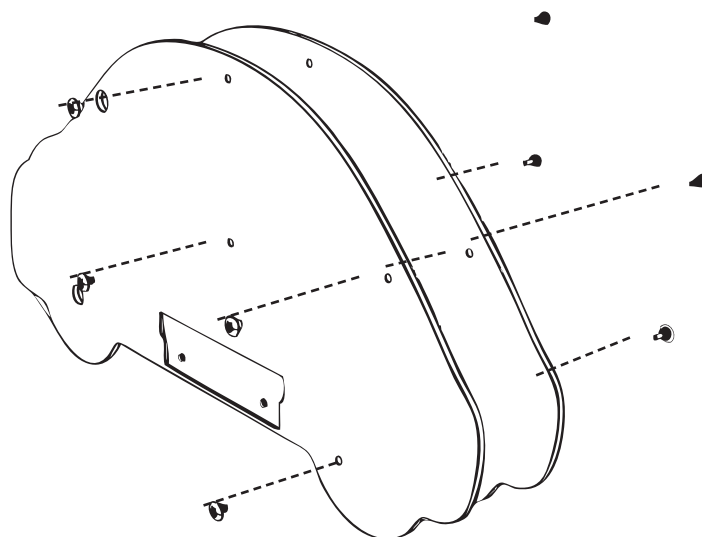


# INSTALLATION INSTRUCTIONS

**1**

**ASSEMBLE LEFT and RIGHT, INSIDE and OUTSIDE playtec parts**

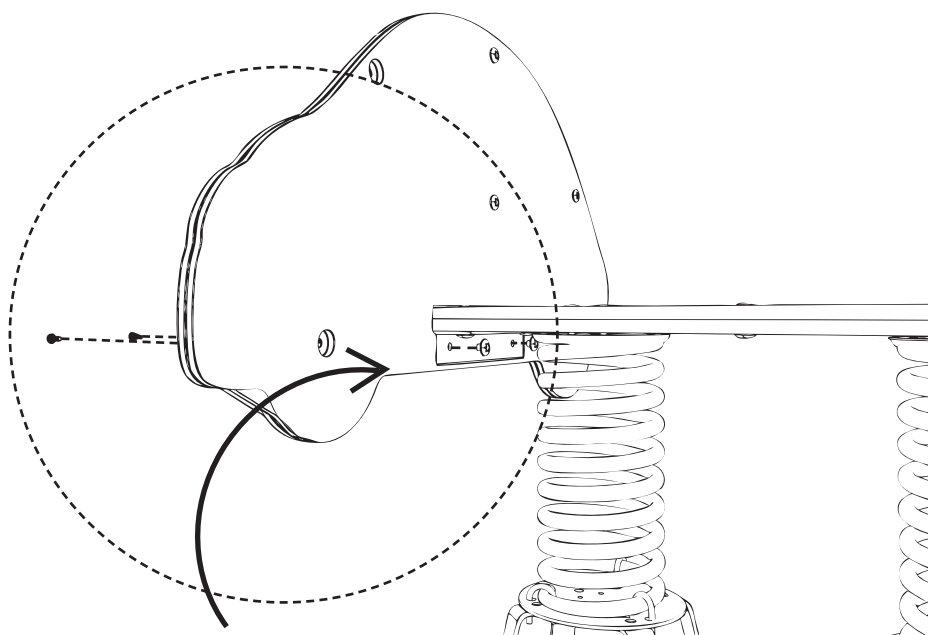
Using 4 X 3B / 4 X N1 TORKTAINERS (EACH SIDE) - AT THIS STAGE - ONLY FIX HOLES SHOWN BELOW



**2**

**ATTACH PRE-ASSEMBLED SIDE TO SEAT BRACKET**

USING 2 X 3B / 2 X N1 TORKTAINERS - EACH SIDE



**ENSURE:**

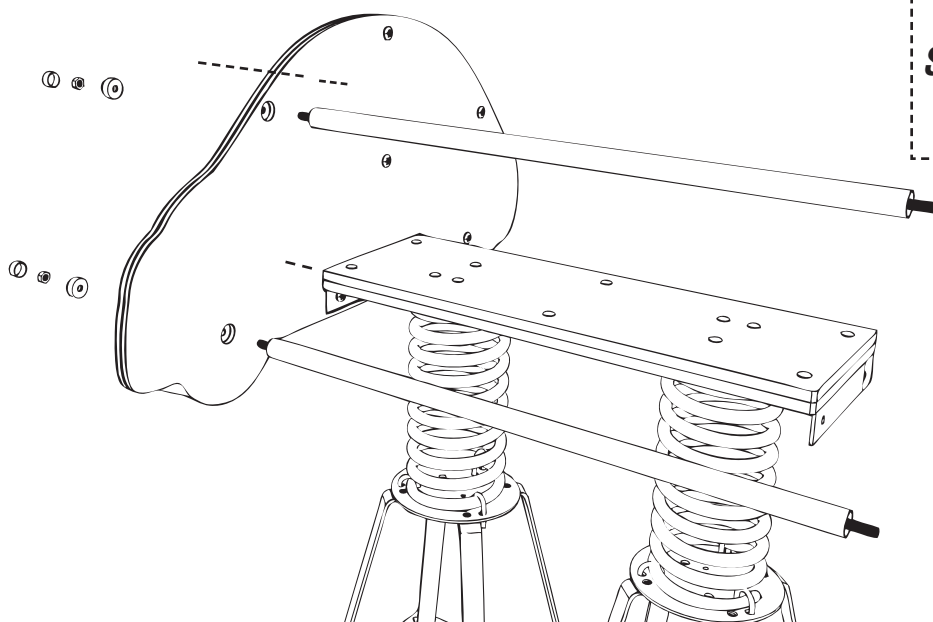
SEAT BRACKET SITS WITHIN RECESSED PART OF THE PLAYTEC

# INSTALLATION INSTRUCTIONS

**3**

## ATTATCH HANDLE AND FOOTREST TO PLAYTEC SIDES

Using 975mm THREAD BAR (INSERT INSIDE GALV TUBE) and 2 X M12 NYLOCS / 2 X Covered end - (PER SIDE)



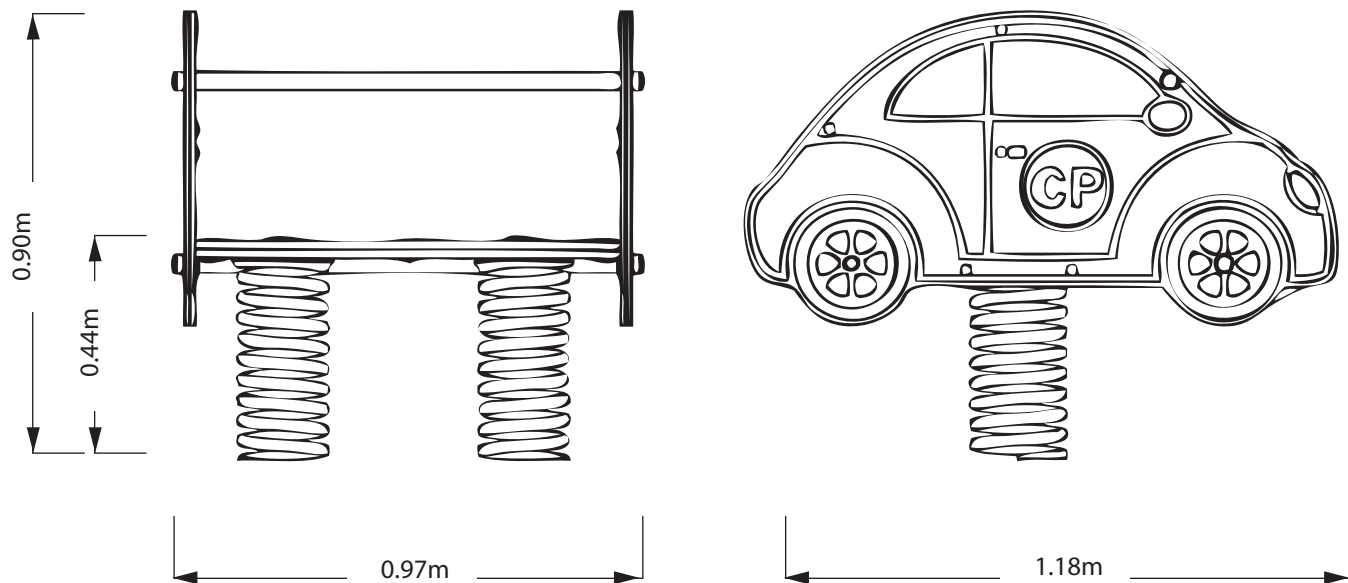
**REPEAT  
STEP 2 and 3 FOR**

### NOTES:

- SAME ASSEMBLY PROCESS FOR ALL SPRING RIDERS (DOUBLE)

# ***ADDITIONAL DIMENSIONS***

---



***SEAT HEIGHT - 0.44MM***