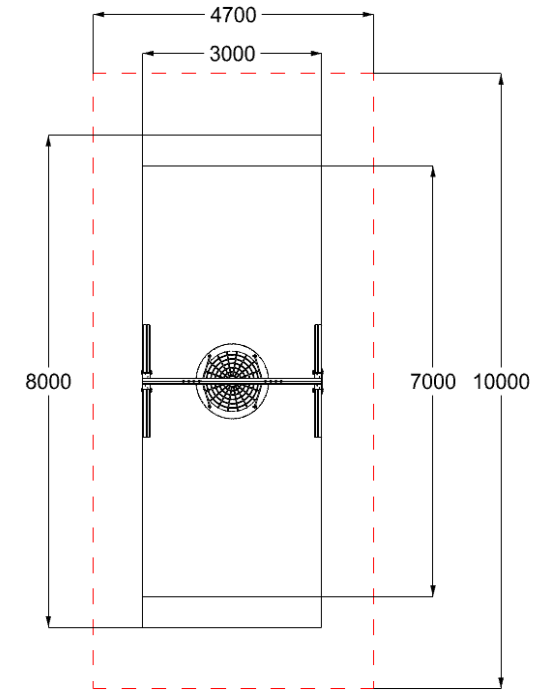
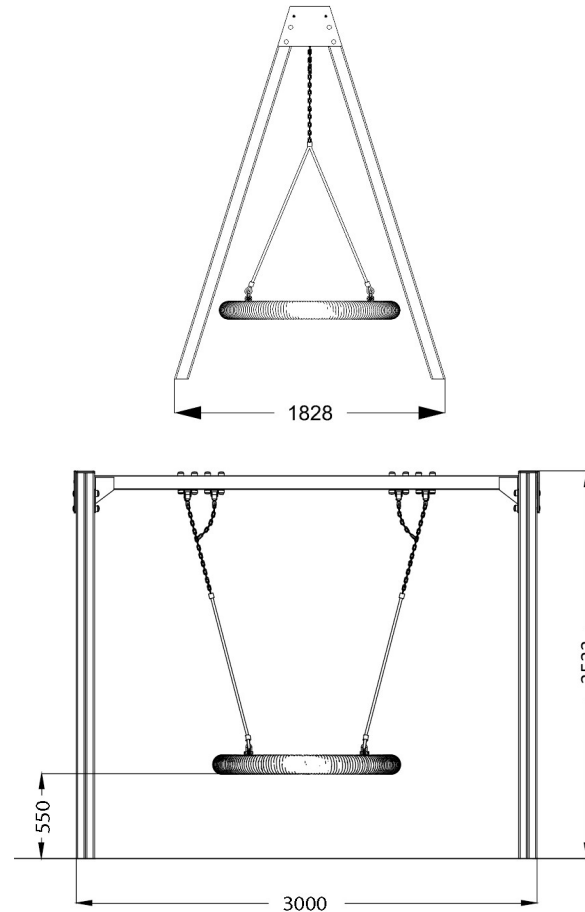
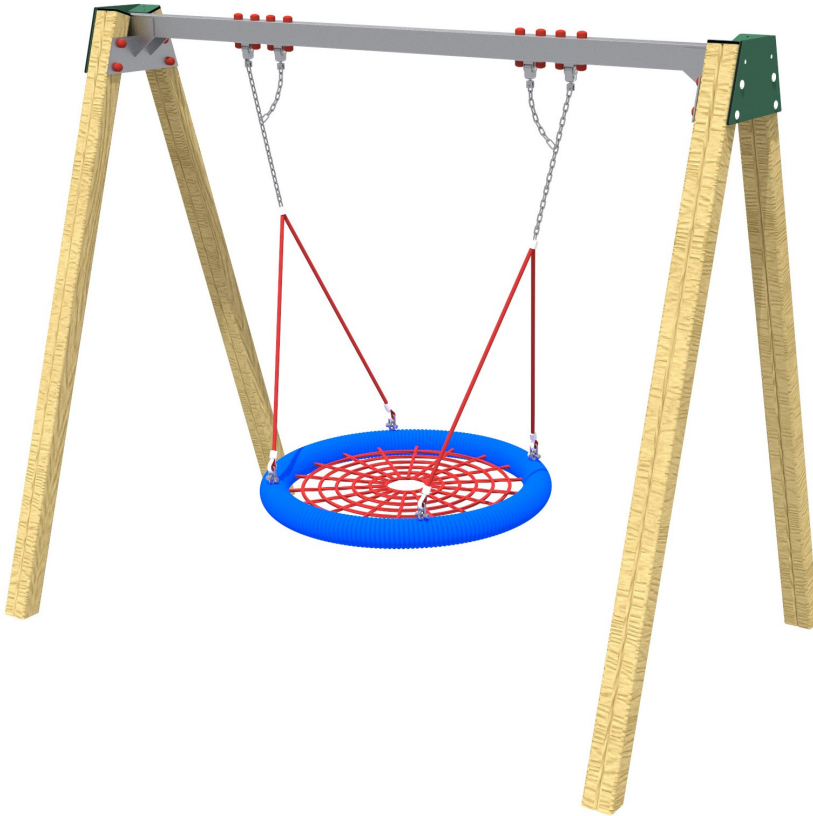


# BASKET SWING

**creative  
play**

S111



\* Measurements in millimetres  
 - - - = Minimum area required  
 8000 Dimension for loose fill surfacing

## PRODUCT INFORMATION

PRODUCT CODE S111

DIMENSIONS LXWXH 3M X 1.8M X 2.5M

AGE RANGE 3+

SPARE PART AVAILABILITY 2-4 WEEKS

## TECHNICAL INFORMATION

FREE FALL HEIGHT 1.5M

MINIMUM AREA 10M X 4.7M

MIN. SURFACING AREA 21 SQM

STANDARDS COMPLIANCE BSEN1176

## DOWNLOADS

PRODUCT WEBPAGE 

MAINTENANCE INFORMATION 

\*Information correct at time of creation