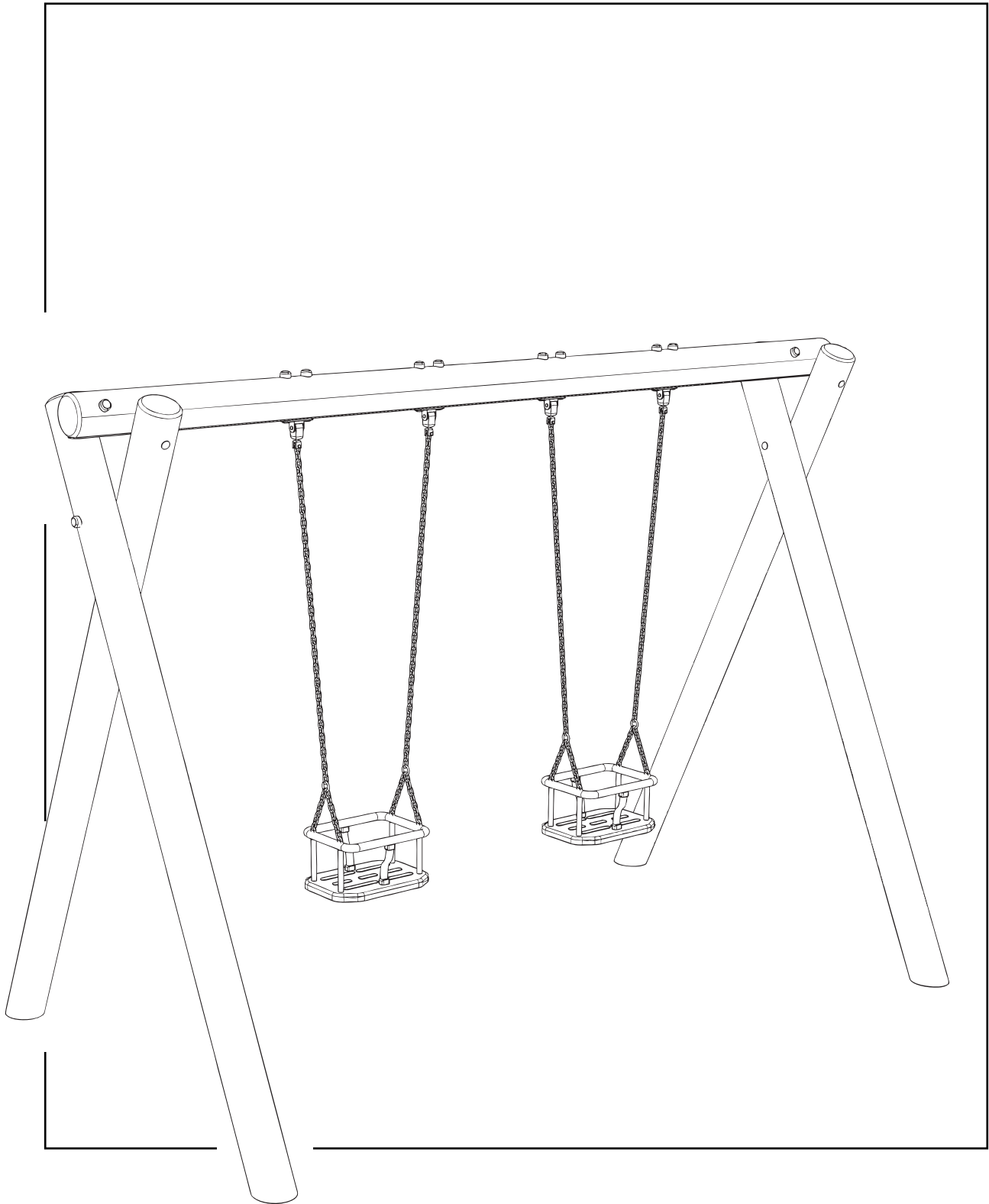


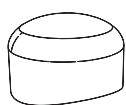
# **DOUBLE SWING ROUND (CRADLE SEAT)**

## ***Installation Instructions***



# ***PARTS required***

---



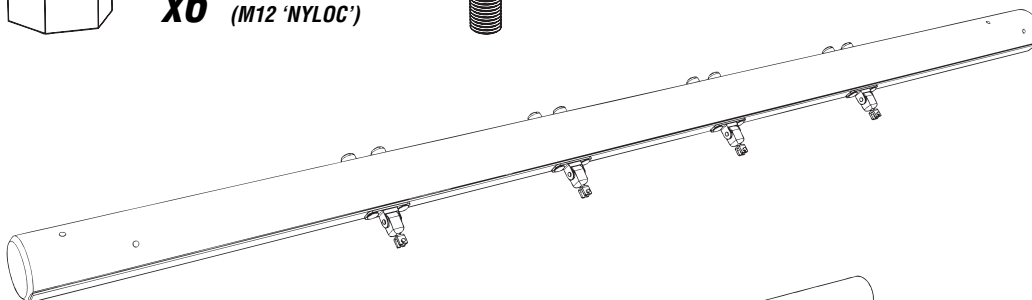
**x6** (end caps R60)



**x6** (M12 x 310 Square Cup HEX bolt)

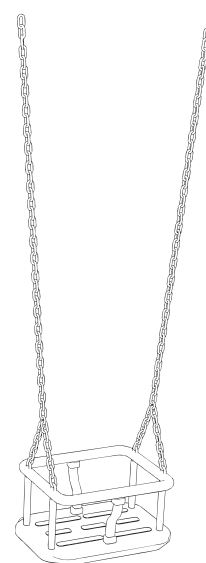


**x6** (M12 'NYLOC')

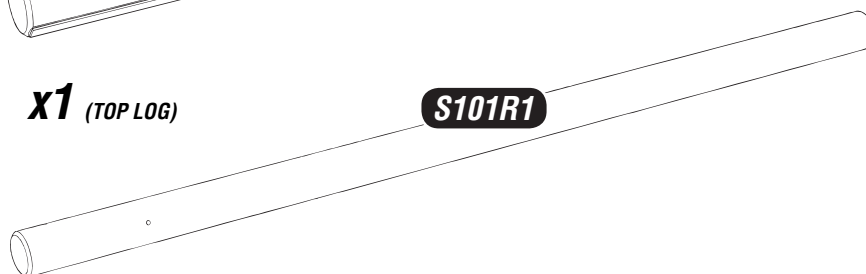


**x1** (TOP LOG)

**S101R1**



**x2** (CRADLE SEAT inc chain)



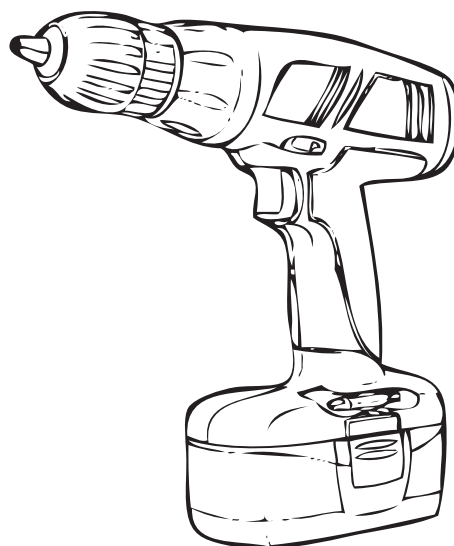
**x4** (LEG LOG)



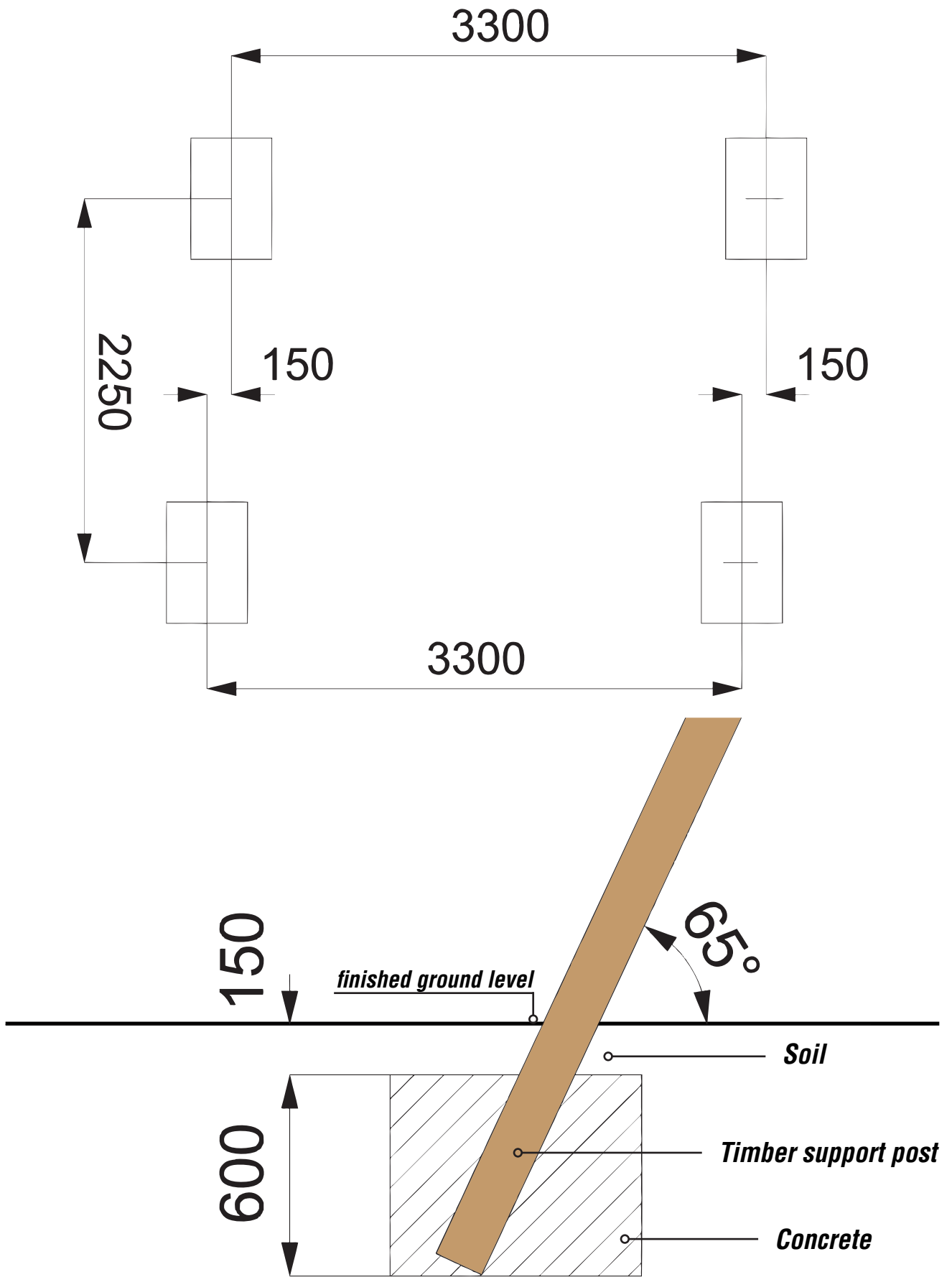
**x8** (nut caps M8)

# ***TOOLS required***

---

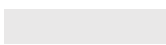



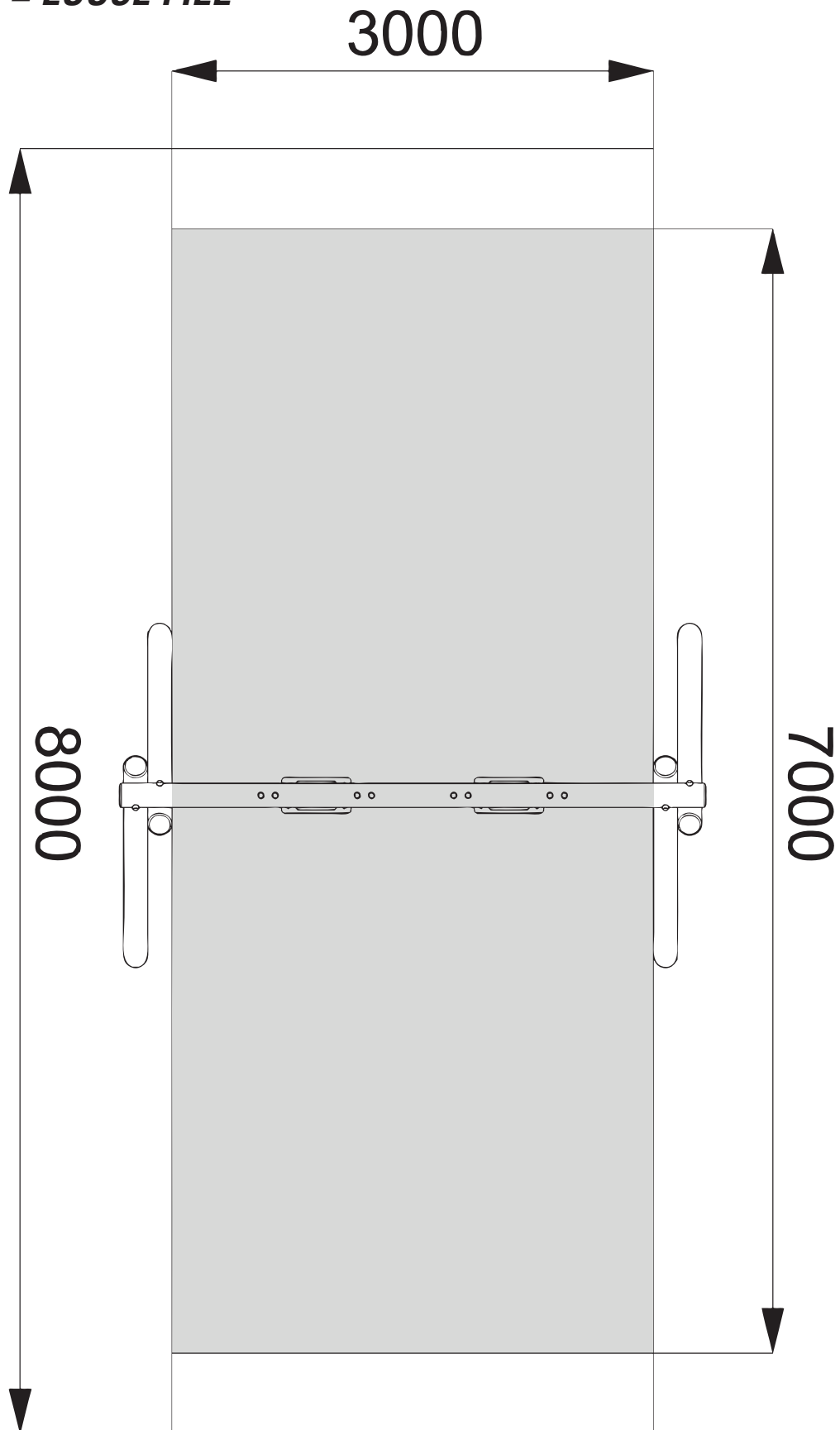
# Foundation Details



# Surfacing Details

---

 = **SYNTHETIC**  
 = **LOOSE FILL**



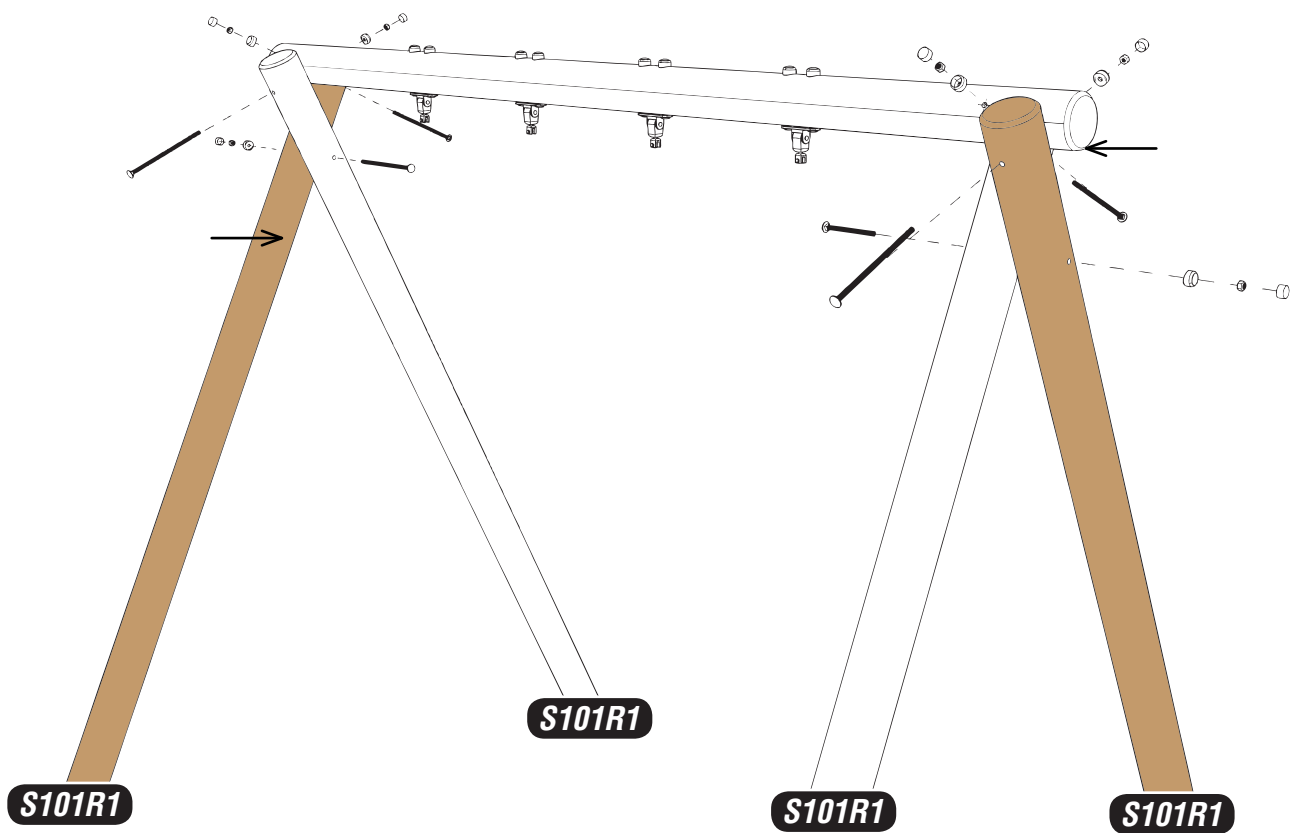
# Installation Instructions

**1**

## Build the SWING FRAME

Using (6x 310mm) M12 - square cup bolt / 6x NYLOCS / 6x Covered end cap R60

### OUTSIDE TIMBERS



### ENSURE:

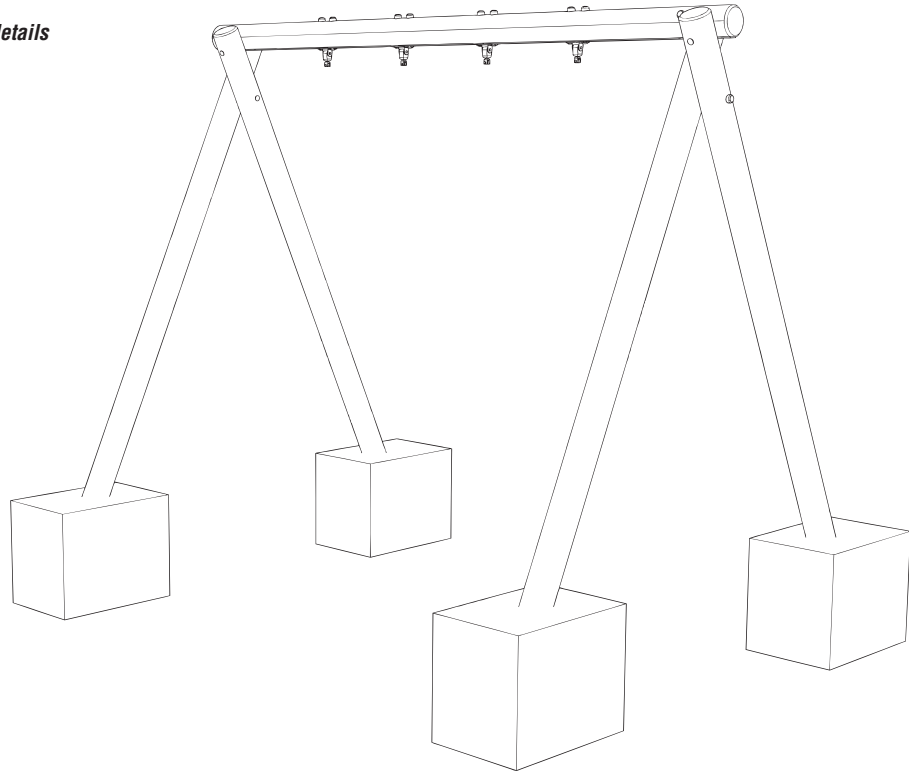
TIMBERS ARE ATTACHED AS SHOWN ABOVE

# Installation Instructions

**2**

## Install Assembly

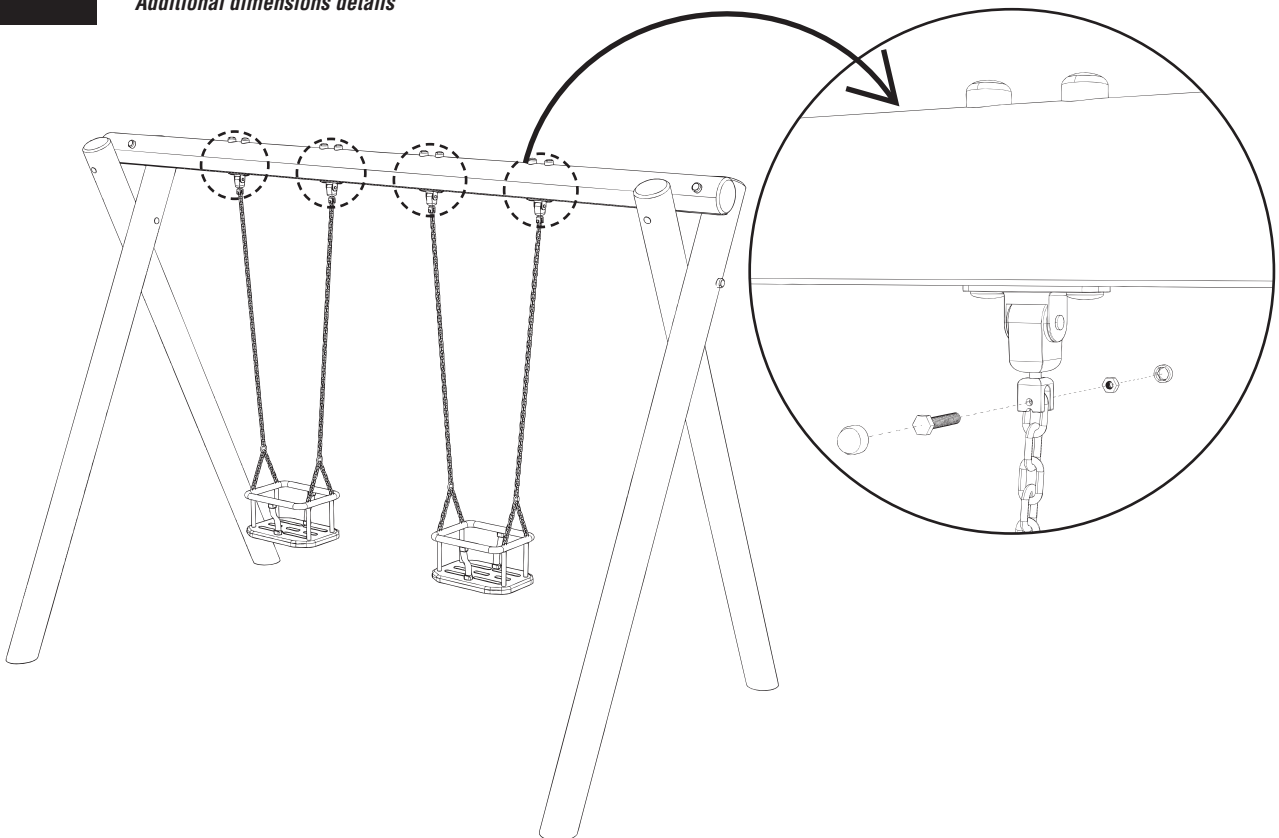
*Follow Foundation details*



**3**

## Install FLAT SEATS

*Additional dimensions details*



# Additional Dimensions

