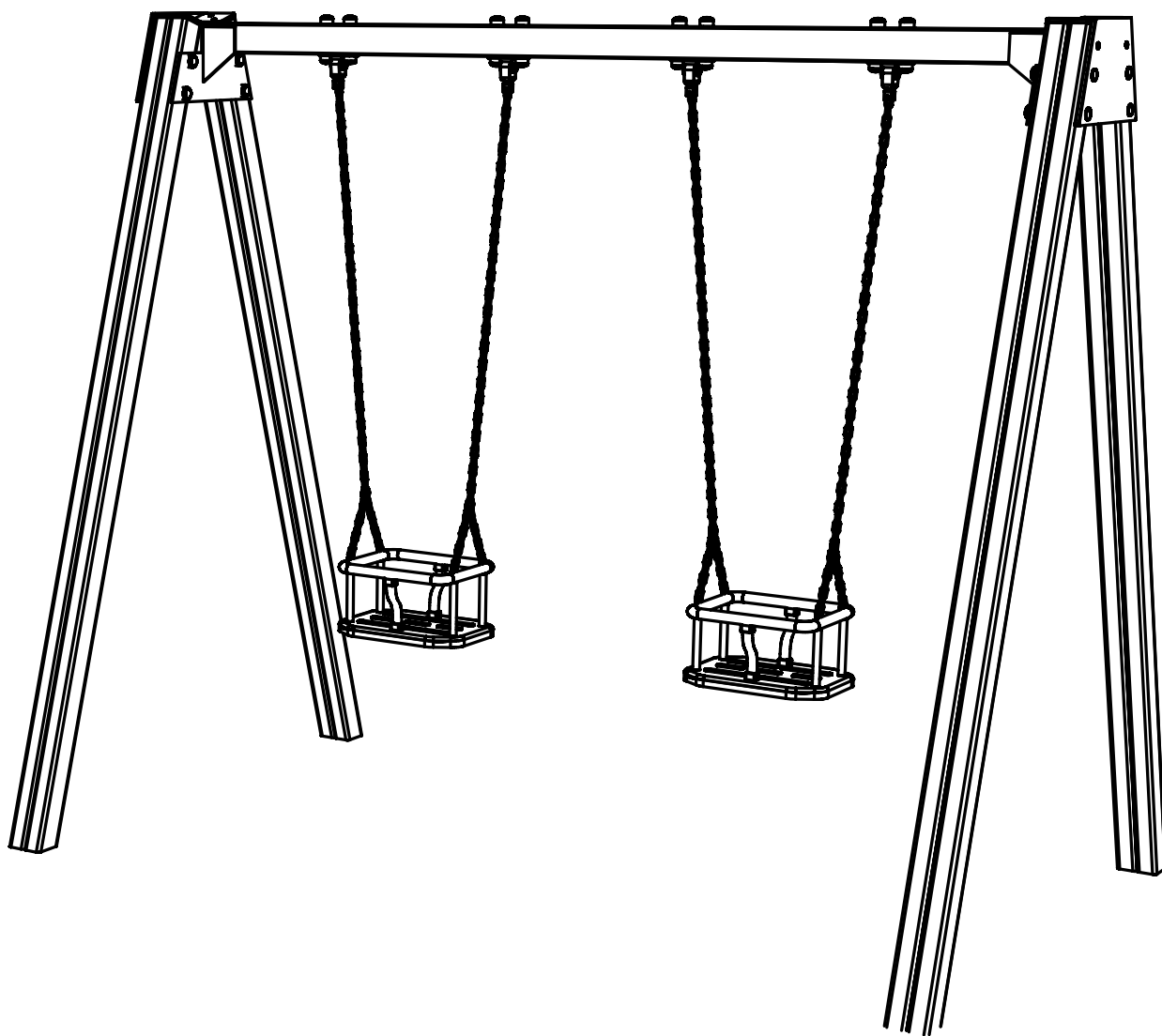


# **S102 - DOUBLE SWING (CRADLE SEAT)**

## **Installation Instructions**

**creative  
play**



# PARTS REQUIRED

---



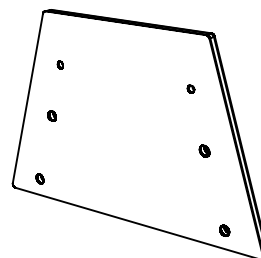
X1

**DOUBLE SUPPORT BEAM**



X8

**M8 NUT CAP**



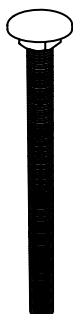
X2

**PLAYTEC COVER**



X4

**M8X80 WOODSCREWS**



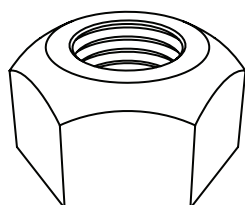
X8

**M12X160 BOLT**



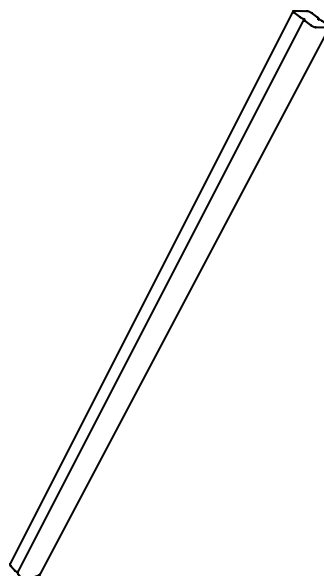
X8

**M12 END CAP**



X8

**M12 NYLOCS**



X4

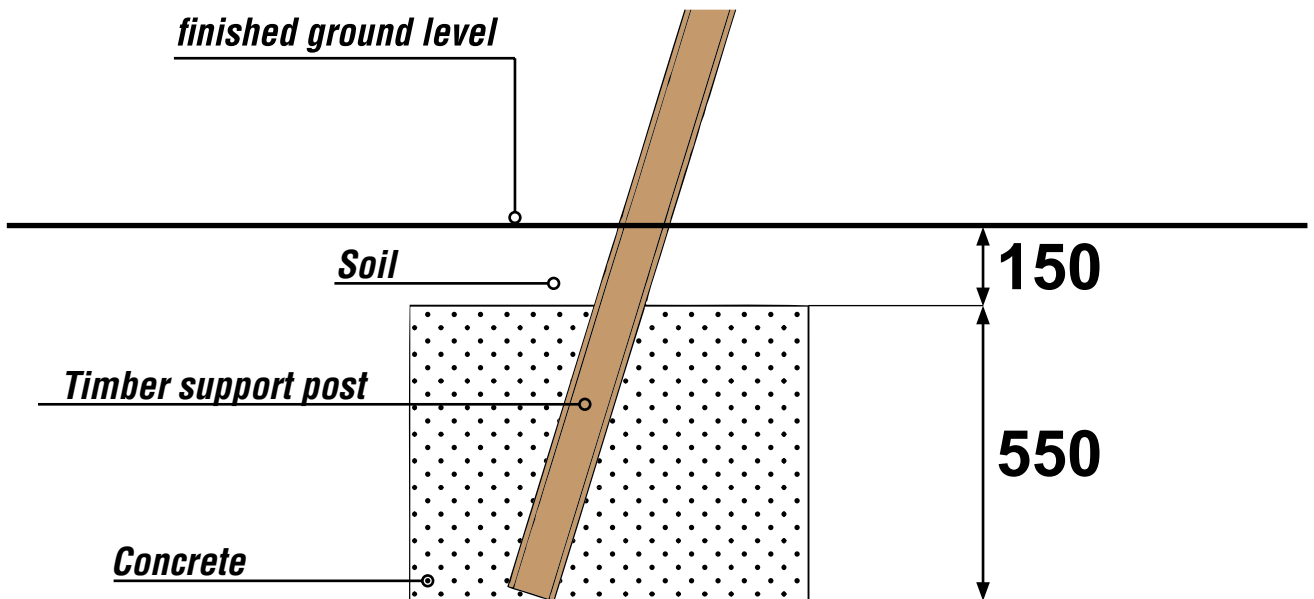
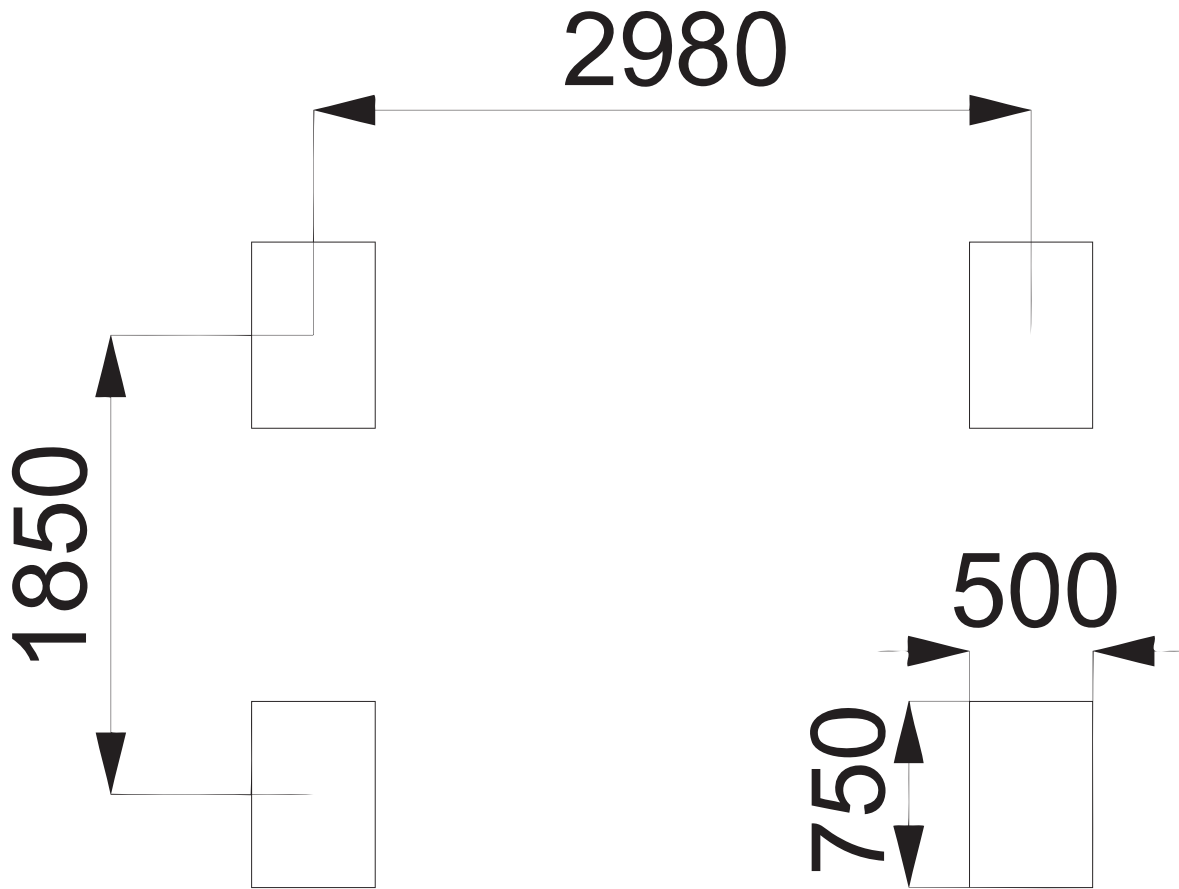
**S1 TIMBERS**






X2

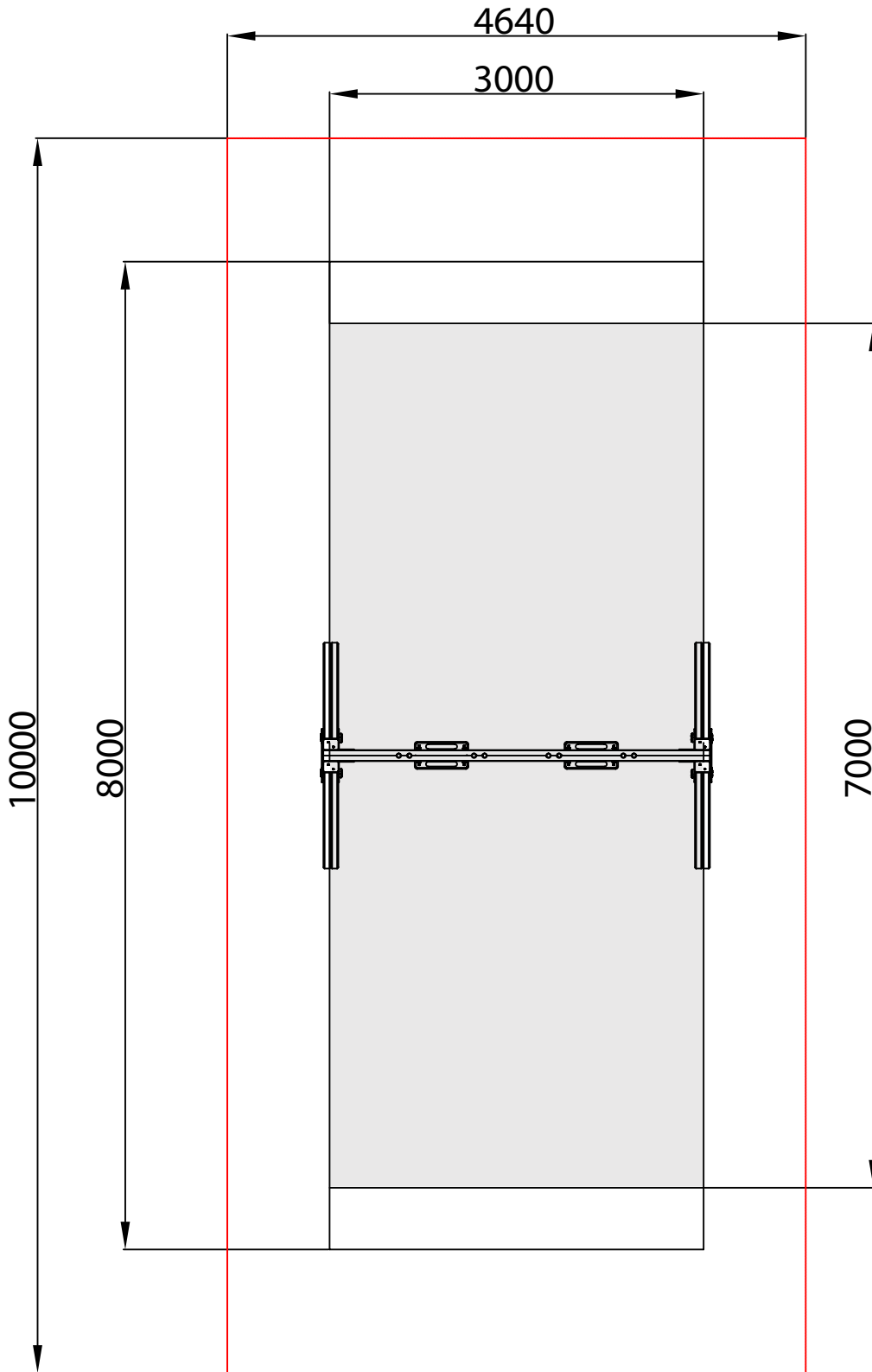
**CRADLE SEAT INC CHAINS**

# FOUNDATION DETAILS



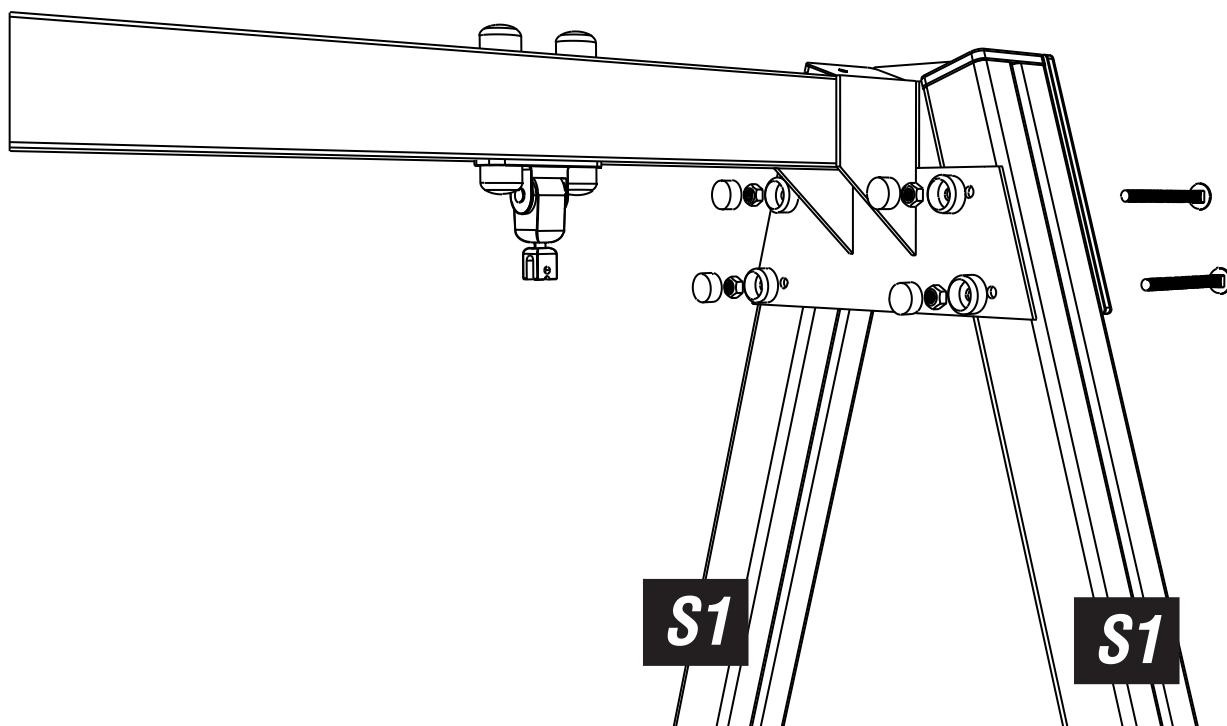
# SURFACING DETAILS

-  = **SYNTHETIC**
-  = **LOOSE FILL**
-  = **AREA REQUIRED**

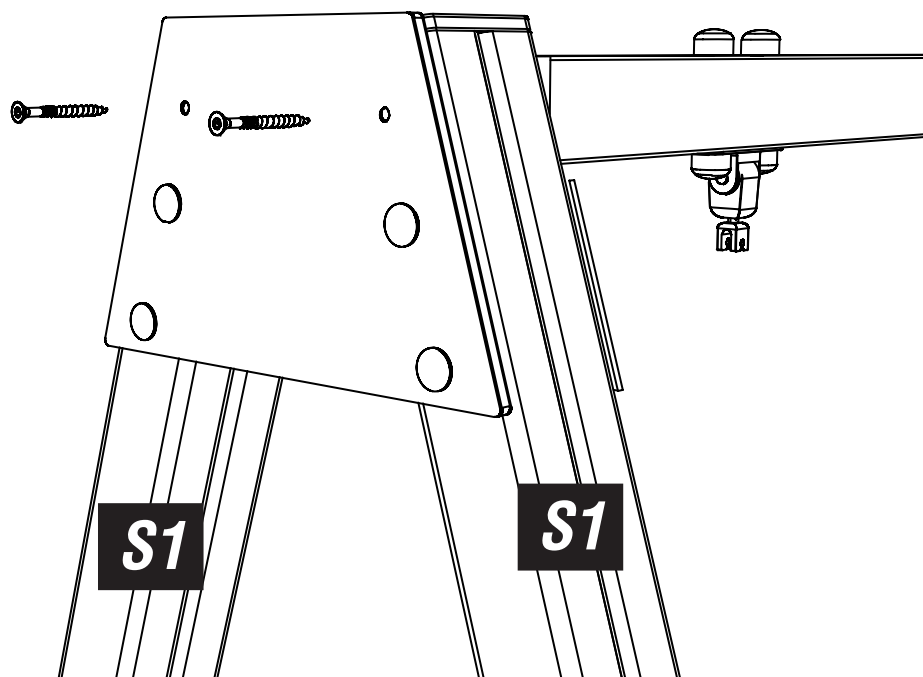


# INSTALLATION INSTRUCTIONS

- 1** ATTACH PLAYTEC COVER AND S1 TIMBERS TO SUPPORT THE BEAM  
USING M12X160 BOLTS [X8], M12 NYLOCS [X8] AND END CAPS [X8]



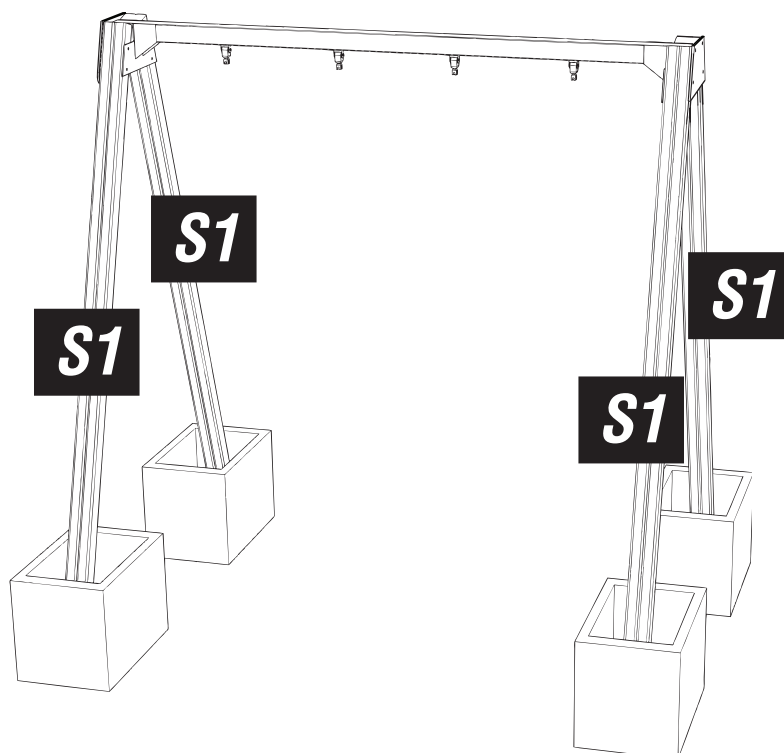
- 2** ATTACH PLAYTEC COVER TO TIMBERS S1  
USING M8X80 WOODSCREWS [X4]



# INSTALLATION INSTRUCTIONS

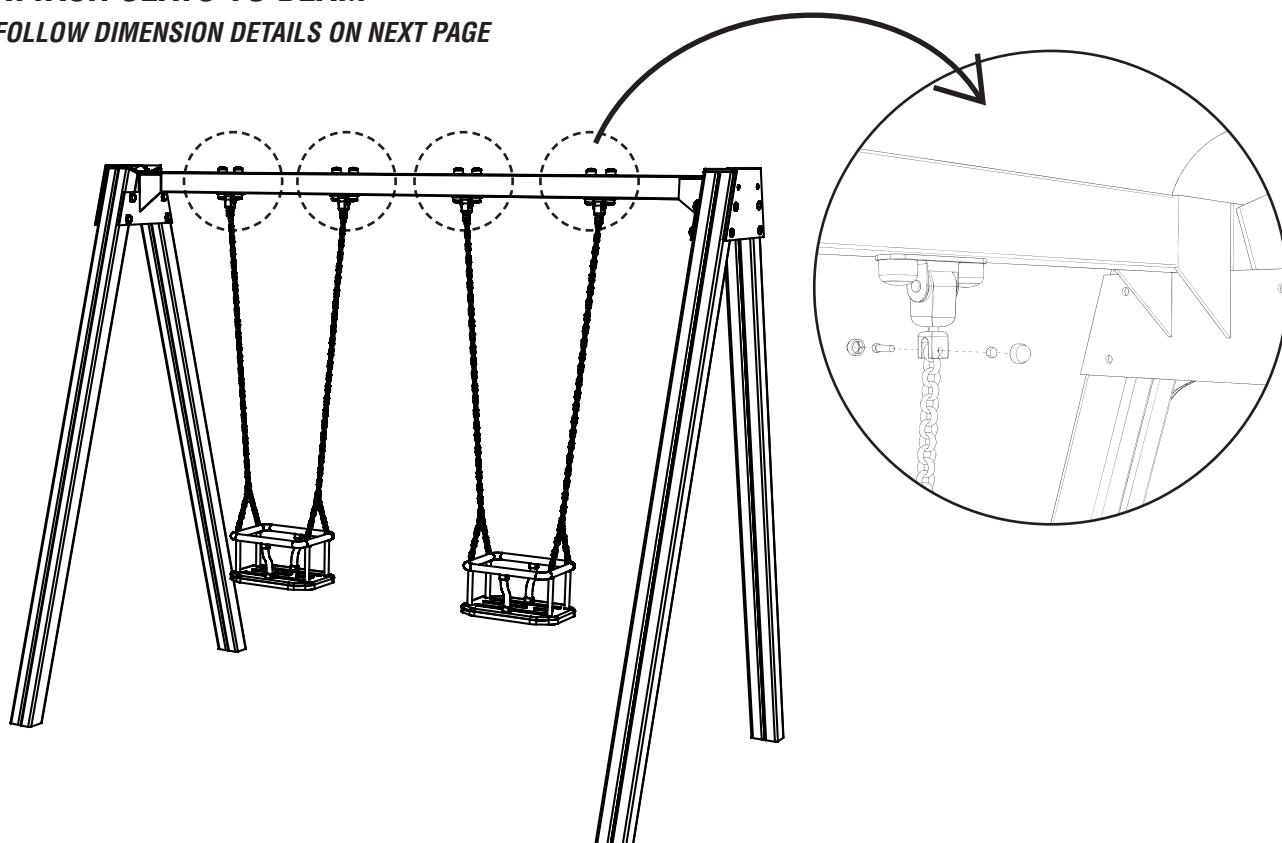
**3**

**INSTALL THE ASSEMBLY**  
FOLLOW FOUNDATION DETAILS



**4**

**ATTACH SEATS TO BEAM**  
FOLLOW DIMENSION DETAILS ON NEXT PAGE



# ADDITIONAL DIMENSIONS

