

# carousel<sup>mini</sup>

*Installation + Assembly Instructions*



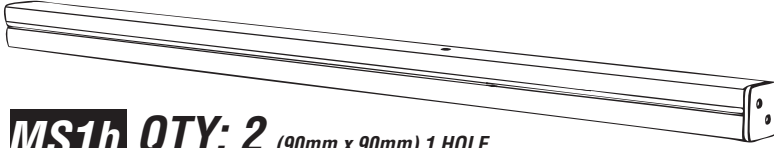
**carousel<sup>midi</sup>**  
**CR102**



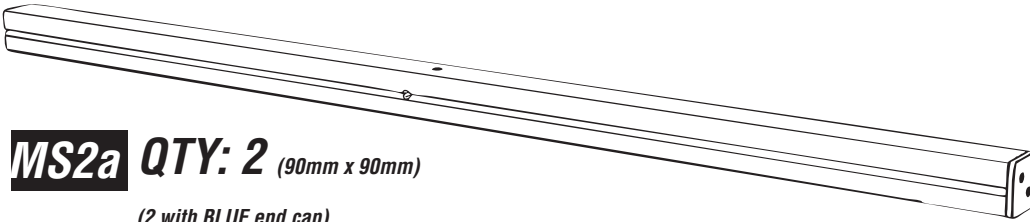
**carousel<sup>maxi</sup>**  
**CR103**

# PARTS required

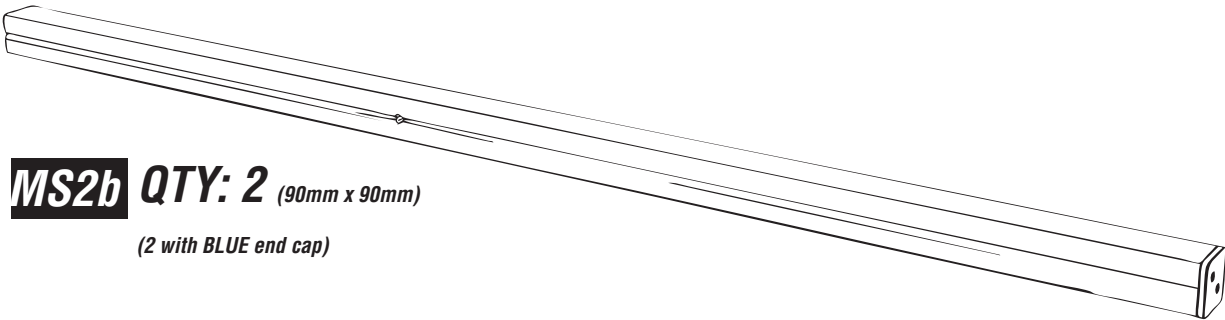
**MS1a NOT REQUIRED**



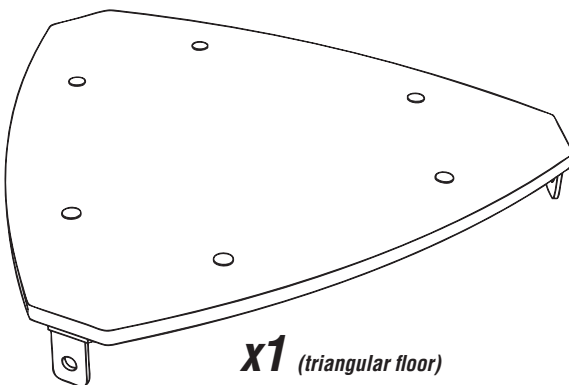
**MS1b QTY: 2** (90mm x 90mm) 1 HOLE  
(various colour end caps)



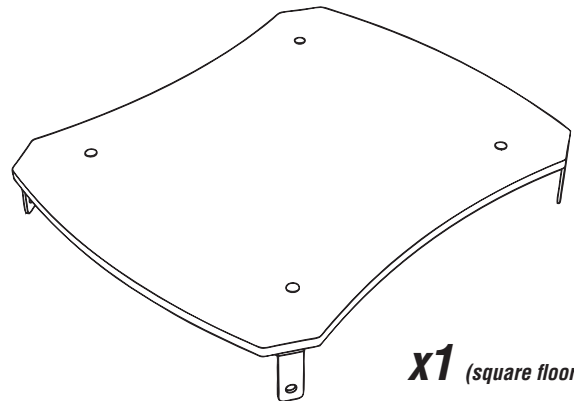
**MS2a QTY: 2** (90mm x 90mm)  
(2 with BLUE end cap)



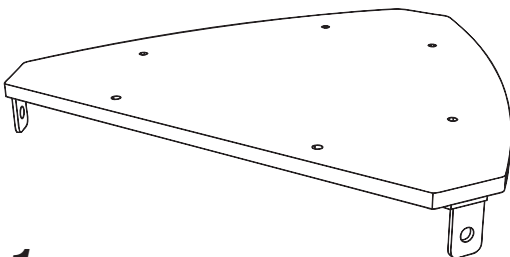
**MS2b QTY: 2** (90mm x 90mm)  
(2 with BLUE end cap)



**x1** (triangular floor)



**x1** (square floor)



**x1** (triangular floor SLIDE - has a straight edge)



**x10** (M12 110\* square hex bolt)

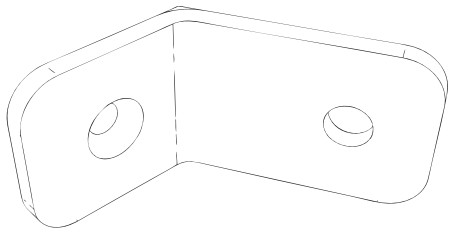
**x10** (End Caps)



**x10** (M12 Nylocs)

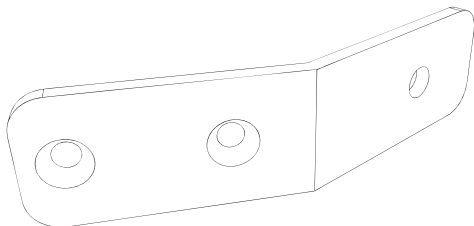


# ***PARTS required continued...***



## **MB-S** x14 **STANDARD Metal Bracket**

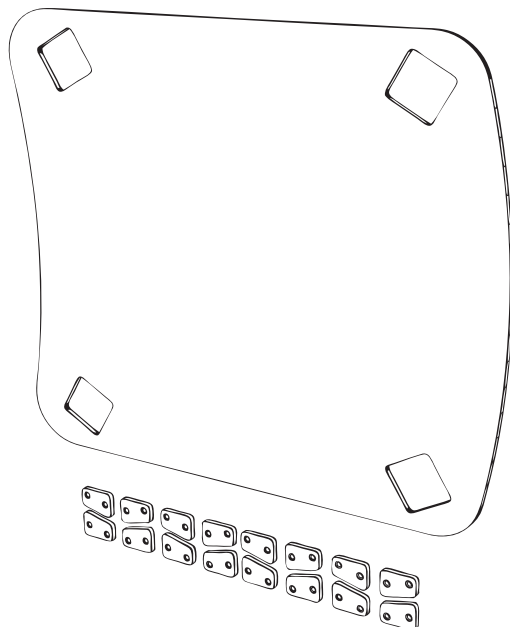
4 for SNAKE SLIDE / 4 for WINDOW GUARD RAIL / 6 for 123 BOARD



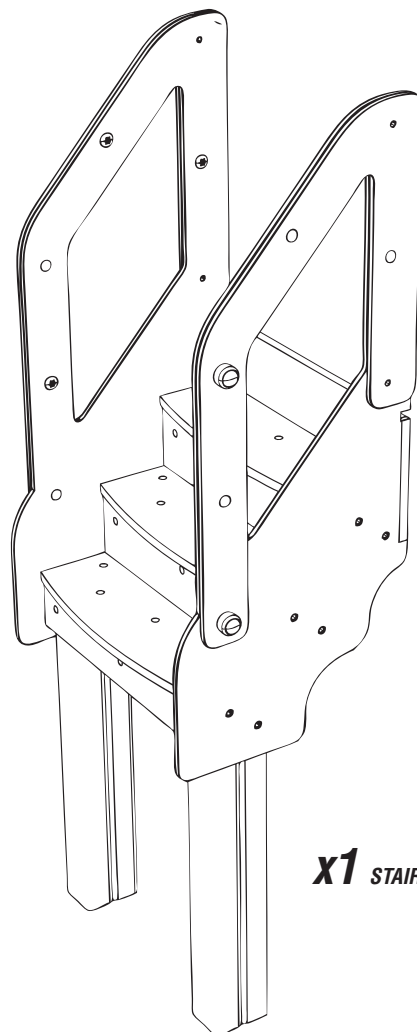
## **MB-A** x4 **ATTACHMENT Metal Bracket**

2 for STAIRS / 2 for WINDOW PLANTER

*\*many parts are pre-assembled with the brackets attached - totals above are for 'loose' brackets*

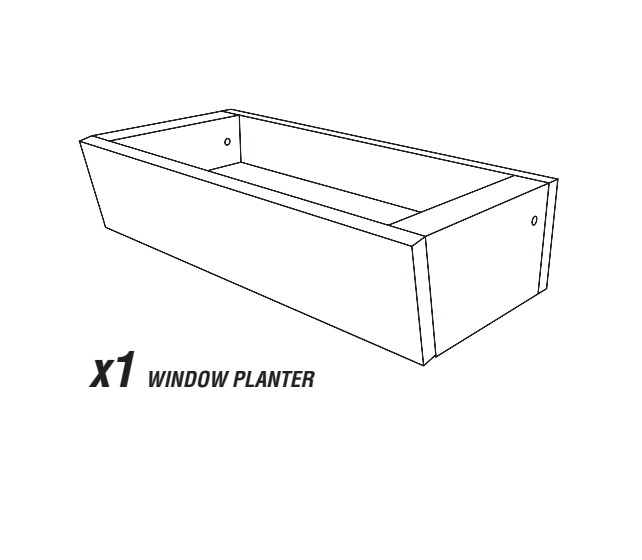
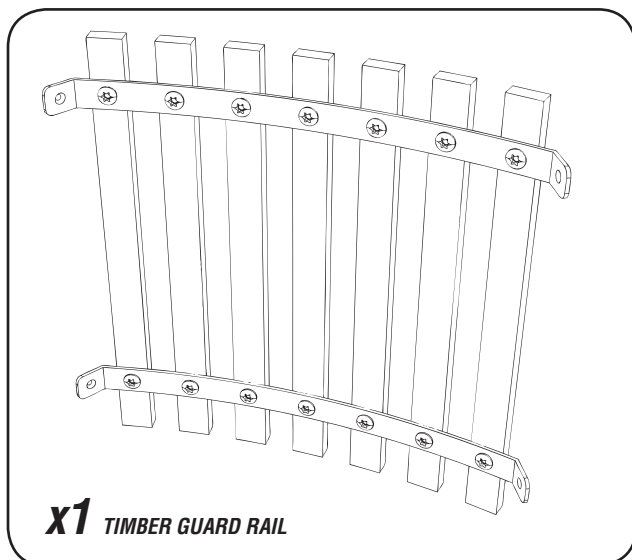
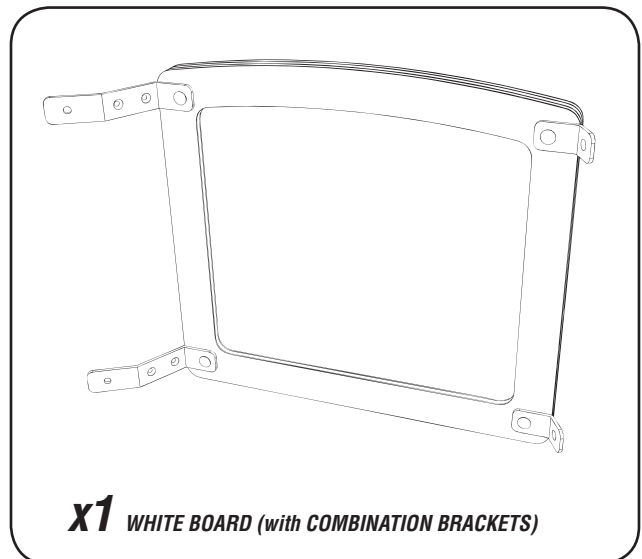
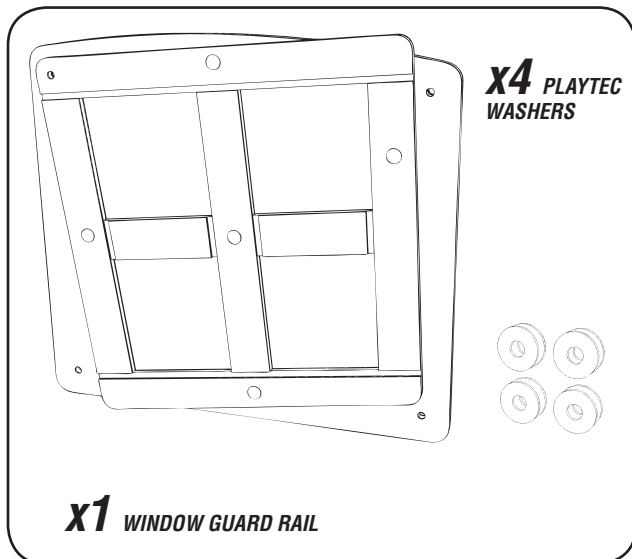
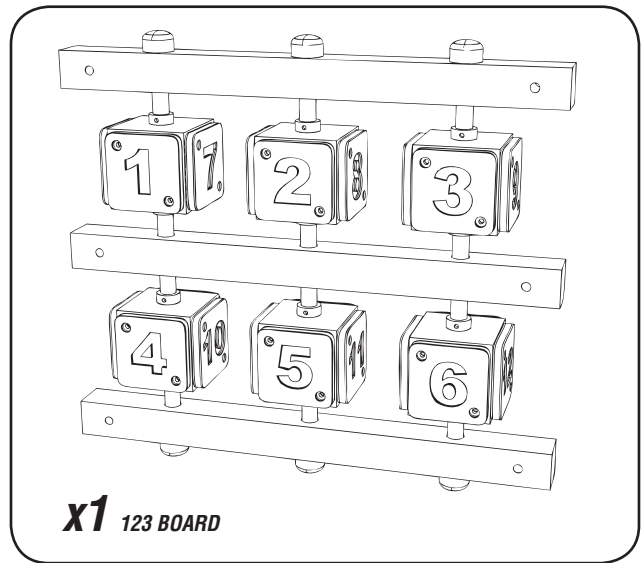
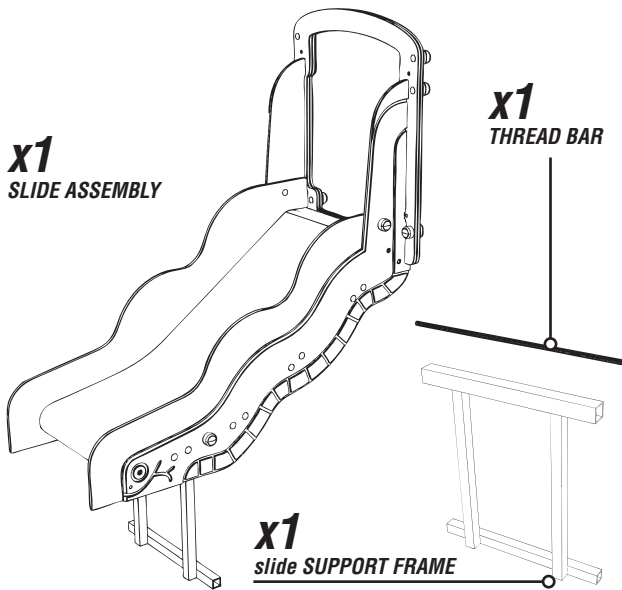


**x1** **SQUARE ROOF**  
*(inc 16 roof clips - same colour as roof)*



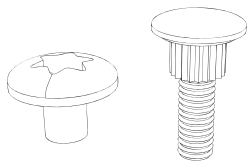
**x1** **STAIRS**

# PARTS required continued...



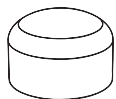
# PARTS required continued...

---



**x24** (TORQ TAINERS various sizes)

(13 x Thickness to go through = 29mm  
4 x Thickness to go through = 36mm  
1 x Thickness to go through = 41mm  
6 x Thickness to go through = 52mm)



**x24** (End Caps)

To be used for TORQ TAINERS



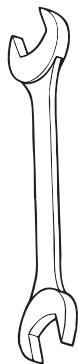
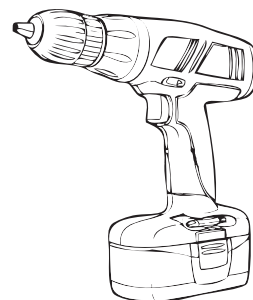
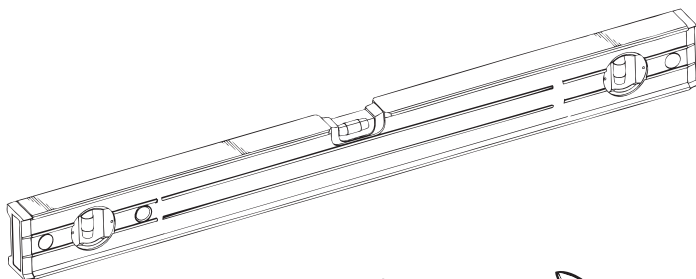
**x16** (80mm brass screws)



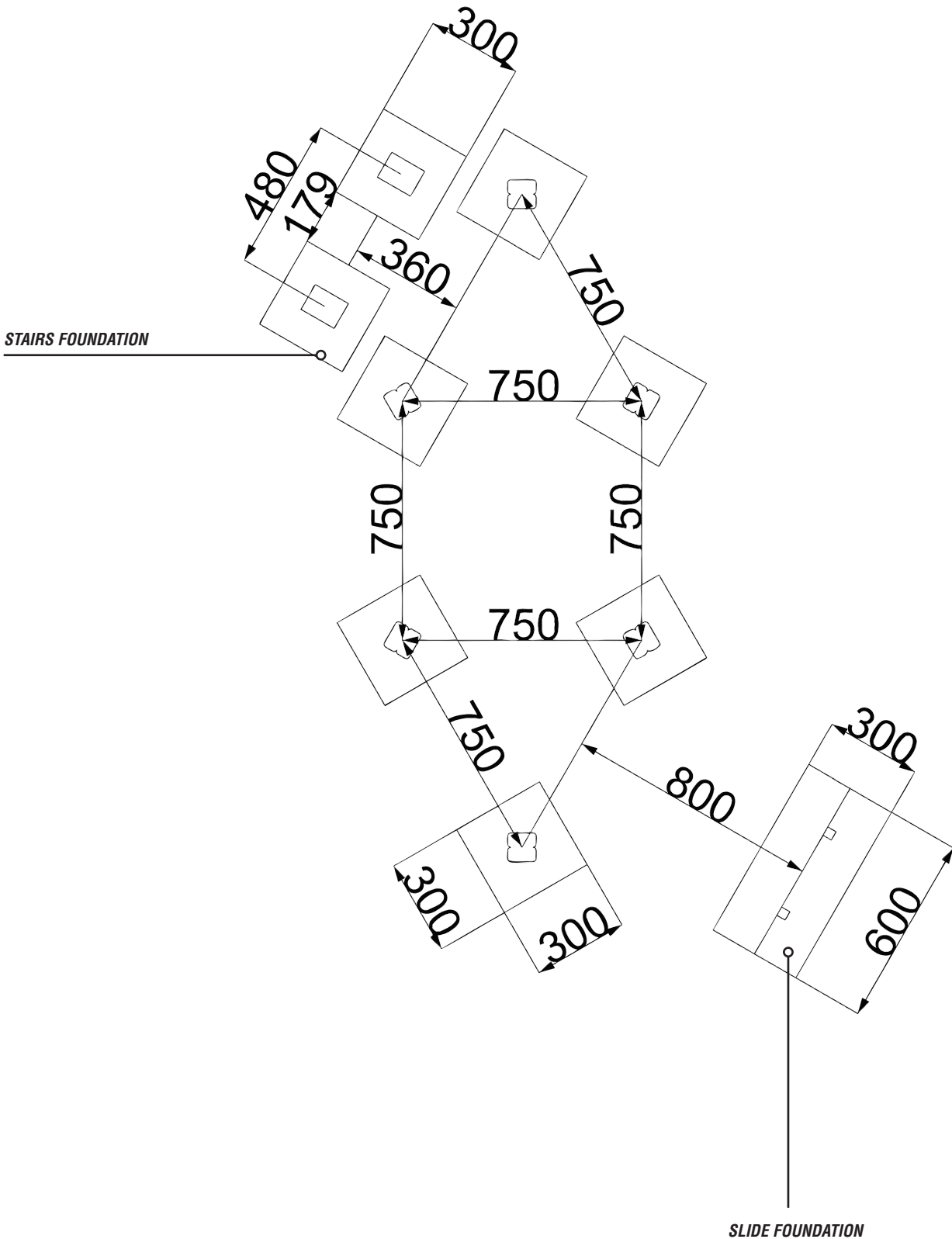
**x48** (40mm brass screws)

# TOOLS required

---



# Foundation Details



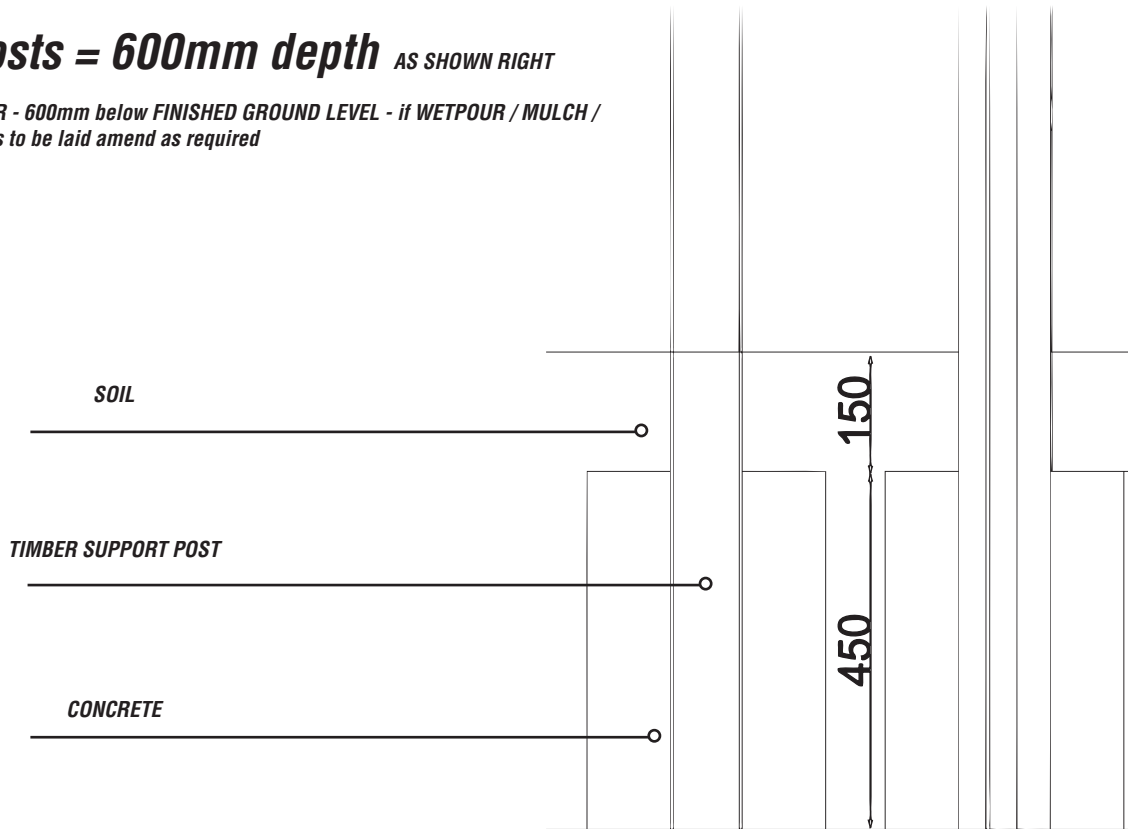
**\*MAIN POSTS ARE POSITIONED @ 750mm centres**

*\*attachments such as slide and stairs alter - shown above*

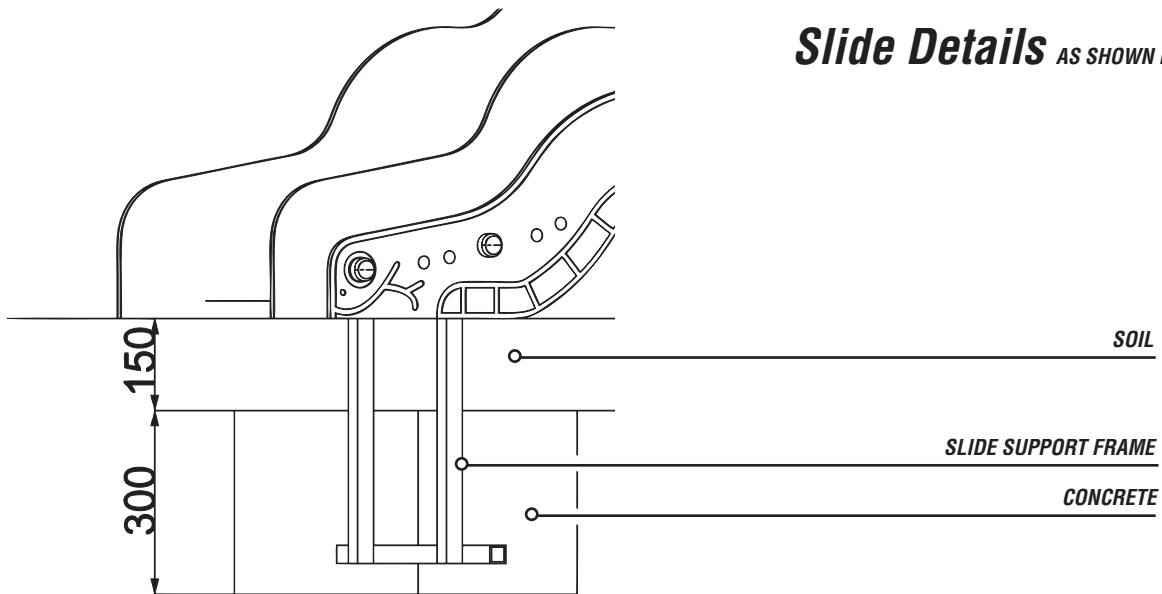
# Foundation Details continued...

**All posts = 600mm depth** AS SHOWN RIGHT

**\*REMEMBER - 600mm below FINISHED GROUND LEVEL - if WETPOUR / MULCH / PLAYSAFE is to be laid amend as required**



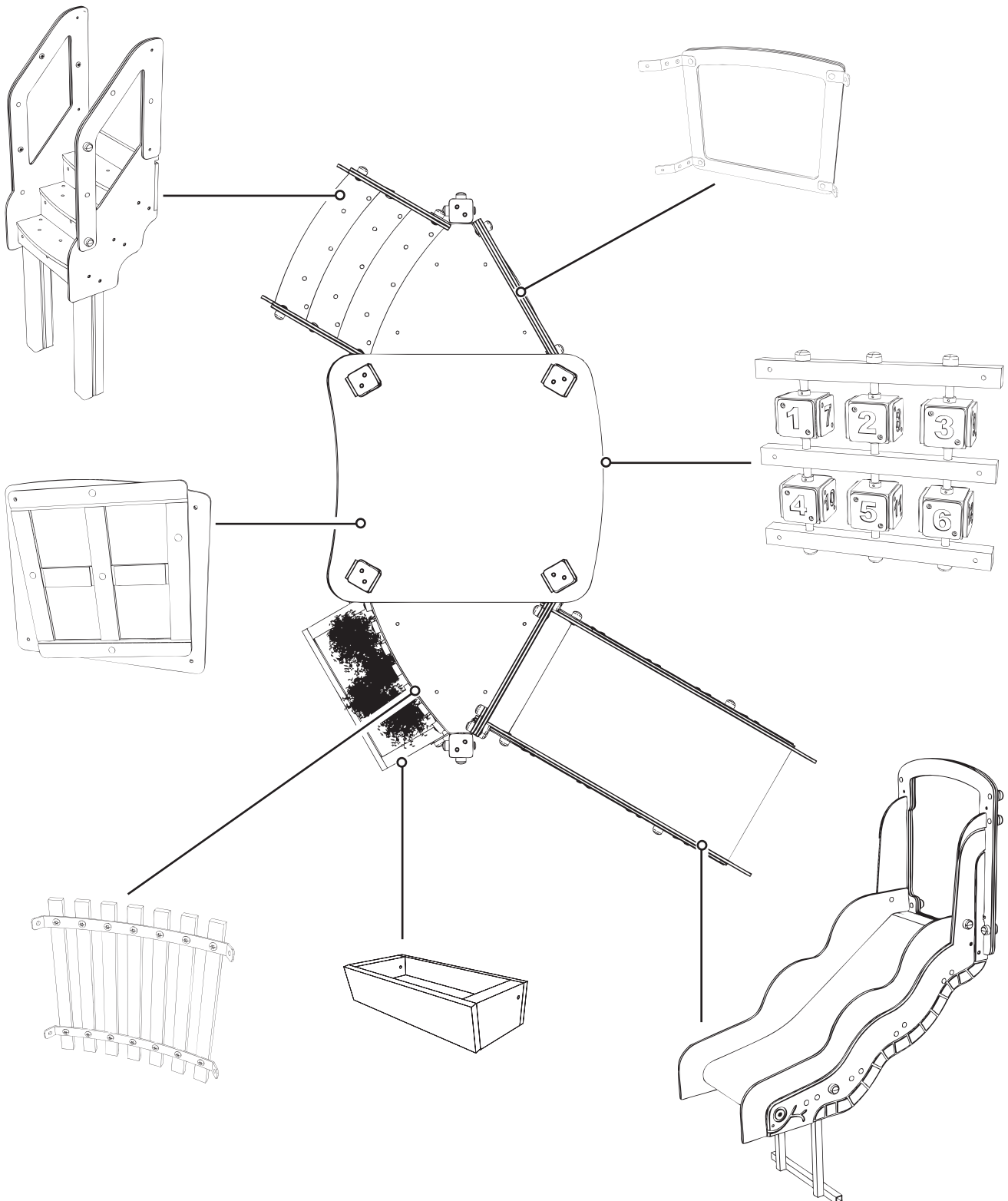
**Slide Details** AS SHOWN LEFT



# Installation + Assembly Instructions

**1**

**Construct the main assembly BEFORE laying concrete foundations **STEPS 1 to 7/8****



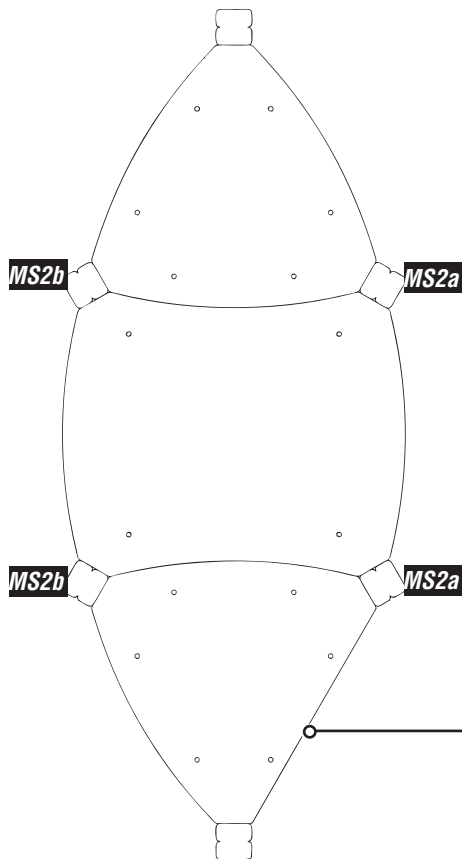


# Installation + Assembly Instructions

**2**

## Position the main support posts & floor assemblies

Using M12 hex bolts, nylocs and end caps

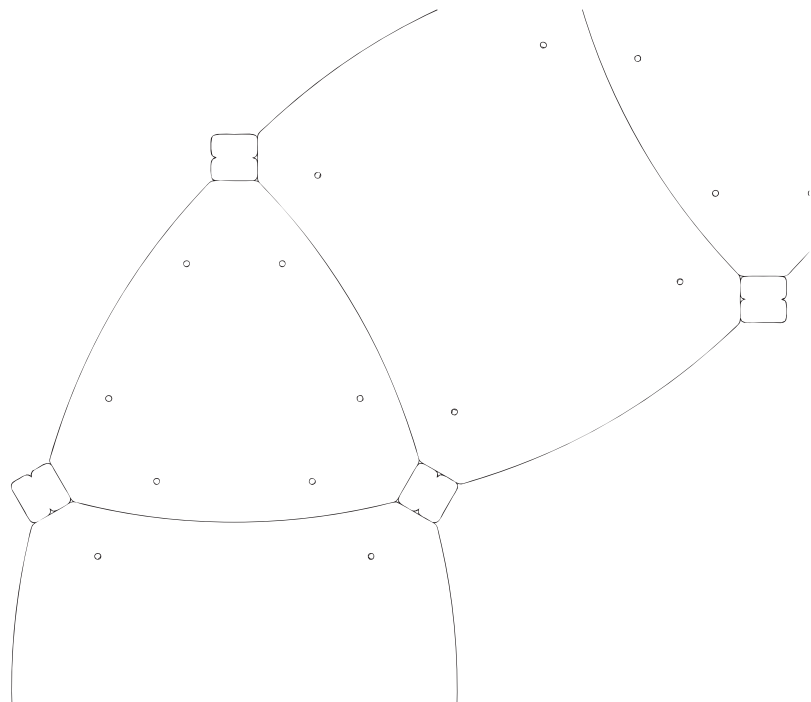


MS2a = Support for roof - SHORT  
MS2b = Support for roof - LONG  
All other supports are MS1

\*FLOOR FOR SLIDE HAS  
A FLAT EDGE

**\*All triangular  
floors/bases attach  
to the FLAT FACE of  
the support post**

All square floors/bases attach to the grooved  
side



## PLEASE NOTE:

The following pages show images which are not necessarily for the specific version and are used to show the assembly / installation for the specific component / sub assembly ONLY

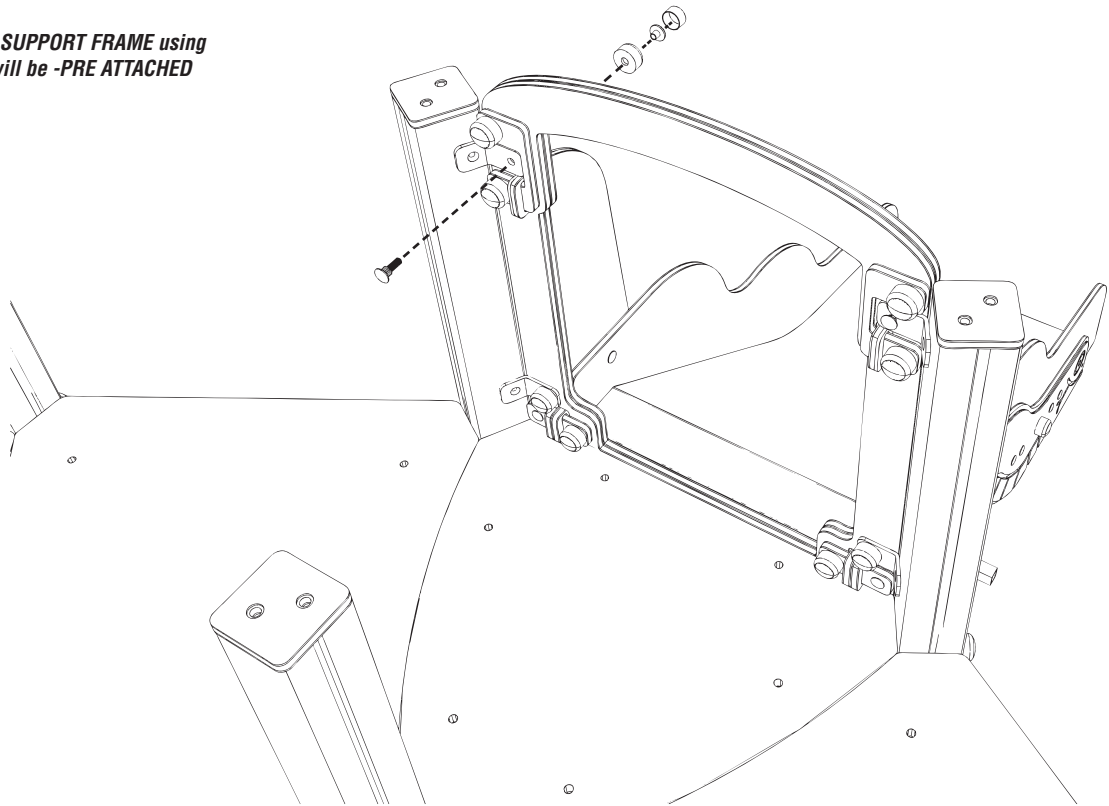
# Installation + Assembly Instructions

**5**

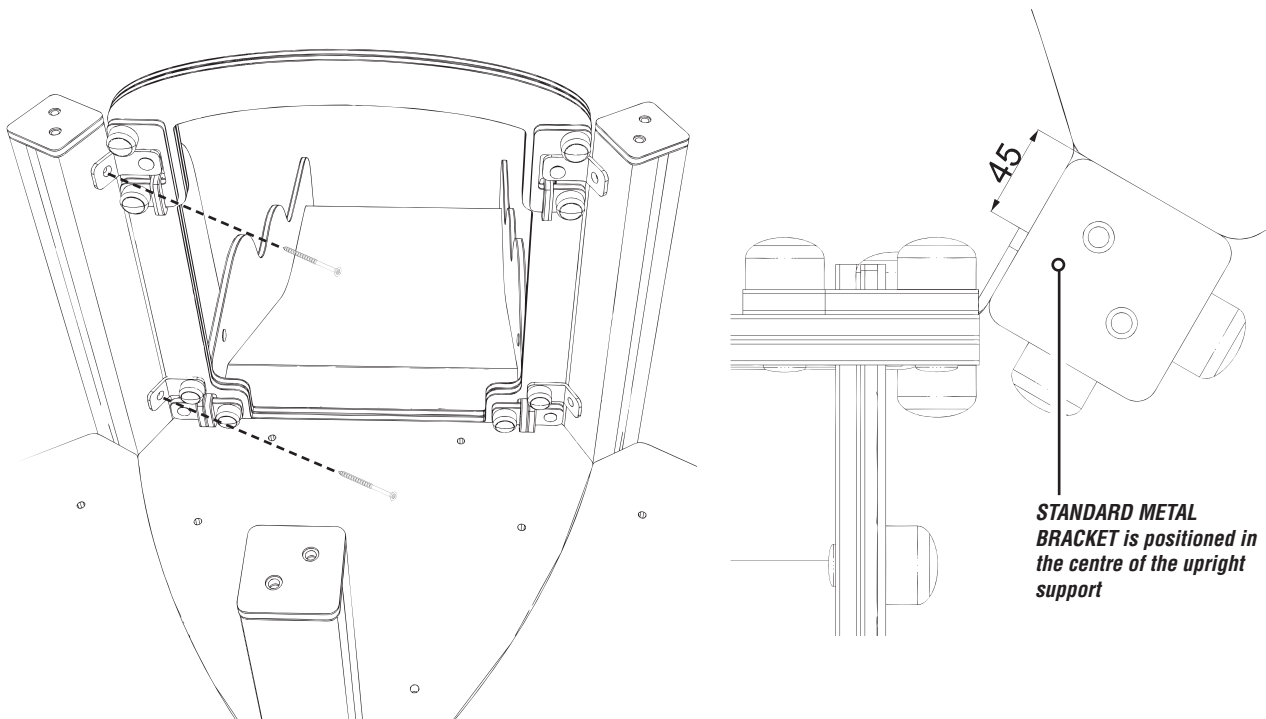
## Attach the SLIDE ASSEMBLY

Attach the STANDARD METAL BRACKETS using NYLOCS, TORKTAINERS & ENDCAPS

*\*Attach the SLIDE SUPPORT FRAME using thread bar - This will be -PRE ATTACHED but not 'fixed'*



*Use 80mm brass screws to secure assembly (STANDARD METAL BRACKETS) to the main upright supports*

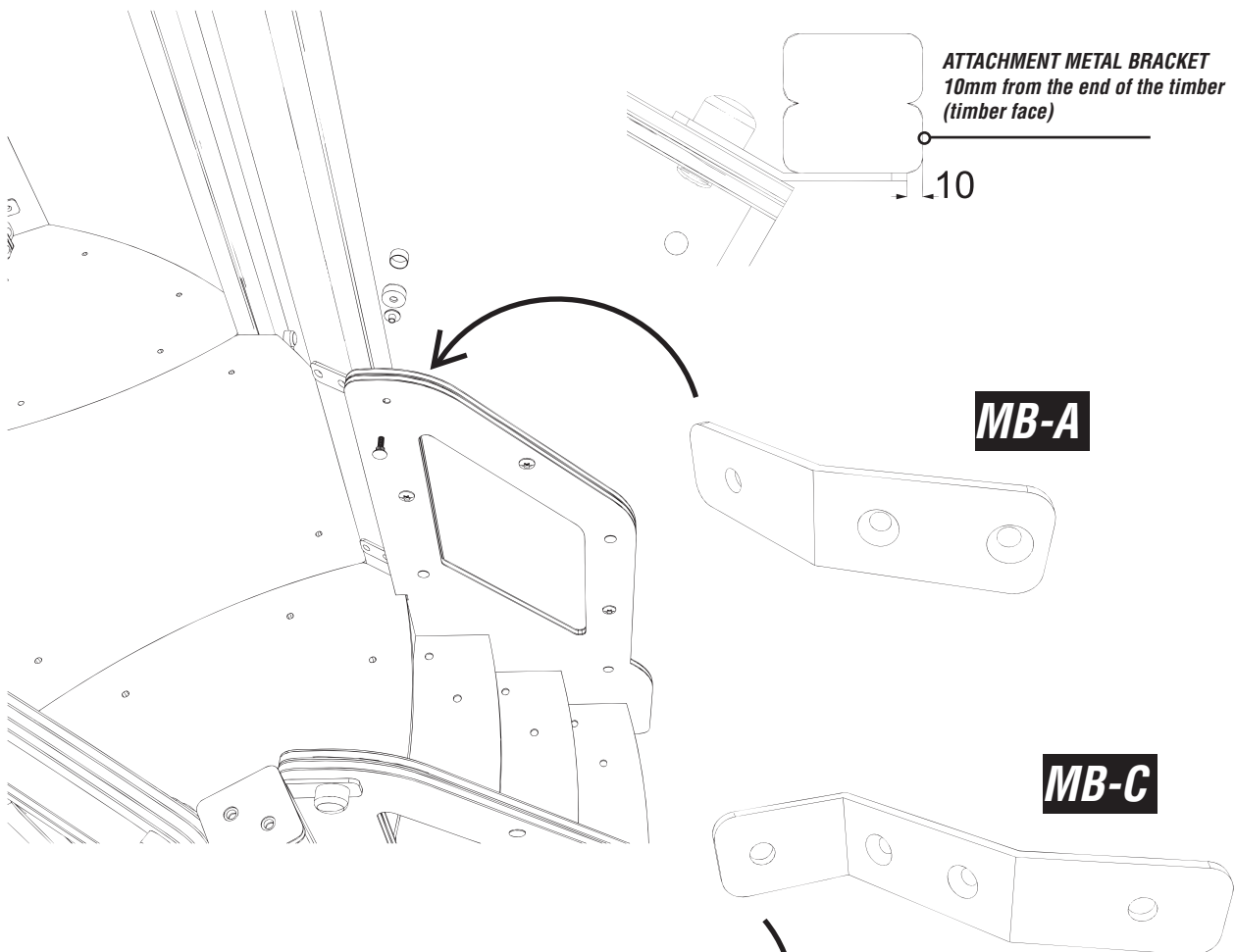


# Installation + Assembly Instructions

6

## Attach the STAIRS

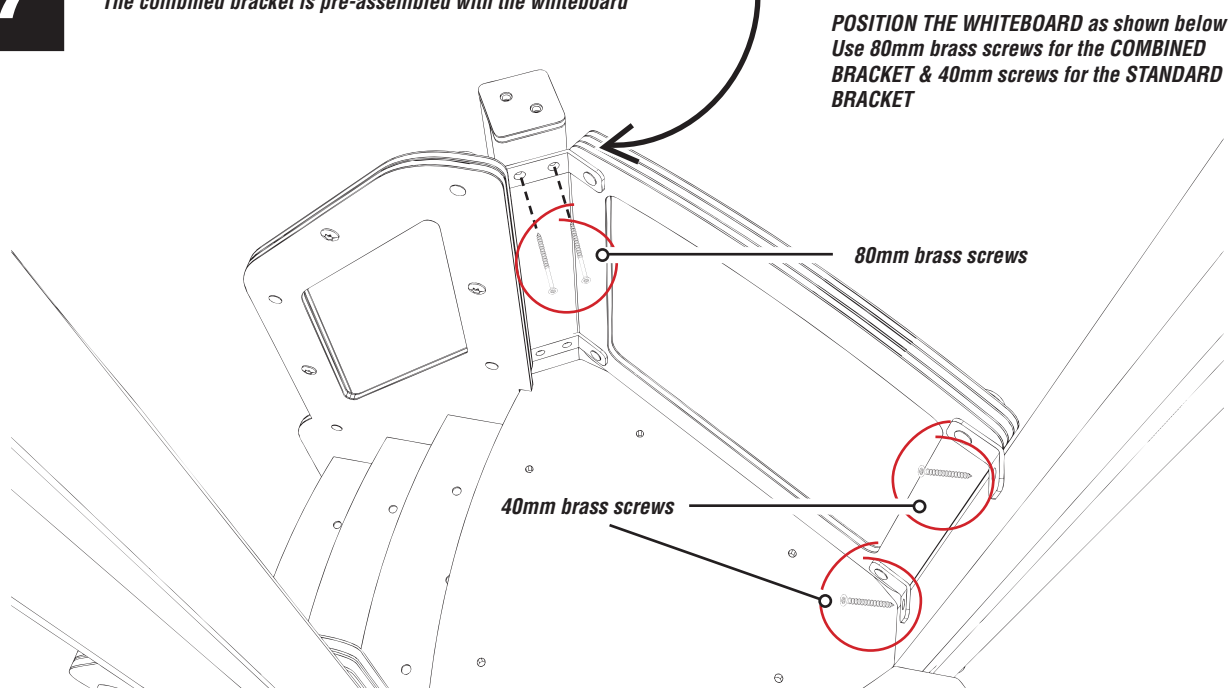
Using ATTACHMENT METAL BRACKETS and COMBINED BRACKET using NYLOCS, TORKTAINERS & ENDCAPS  
Attach the brackets to the upright supports using 80mm brass screws



7

## Attach the WHITEBOARD

The combined bracket is pre-assembled with the whiteboard

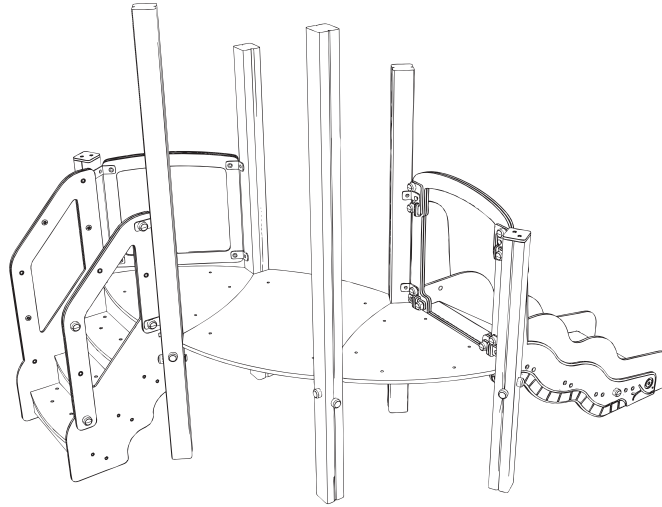


# Installation + Assembly Instructions

8

## Main assembly complete

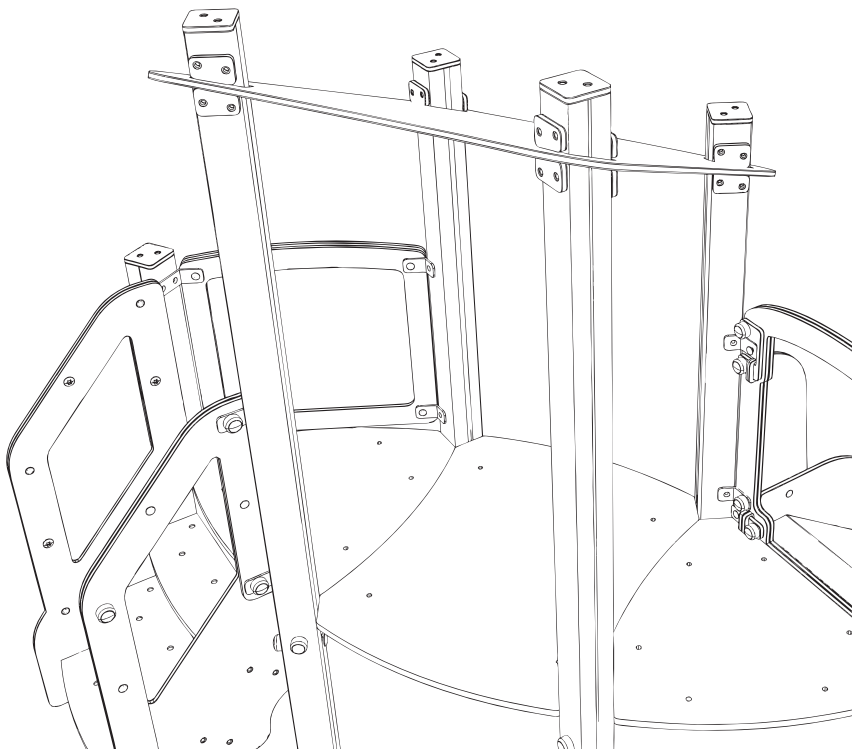
Concrete foundations can now be laid OR follow the rest of the instructions then concrete



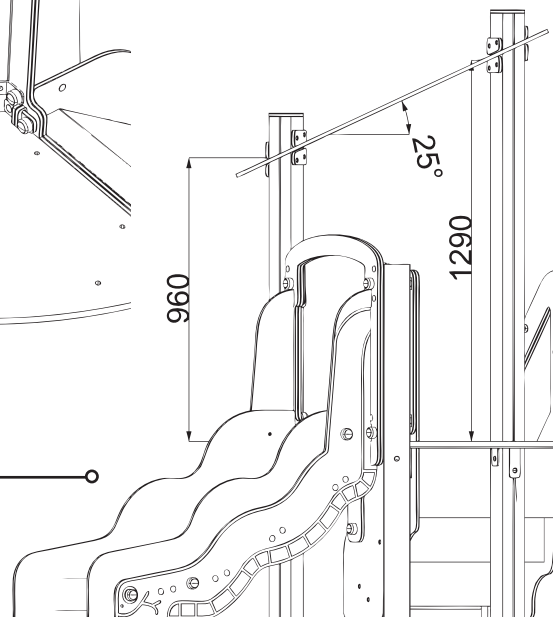
9

## Attach the ROOF

Using 40mm brass screws and roof clips - the colour of the clips correspond to the colour of the ROOF



Each post has 2 x clips ABOVE and 2 x clips BELOW



The holes in the roof are SHAPED and should 'want' to position itself at an angle

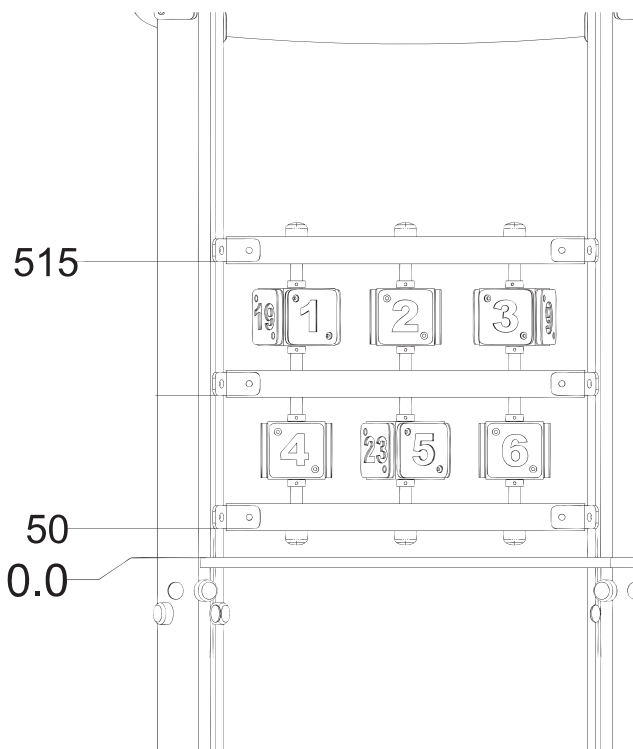
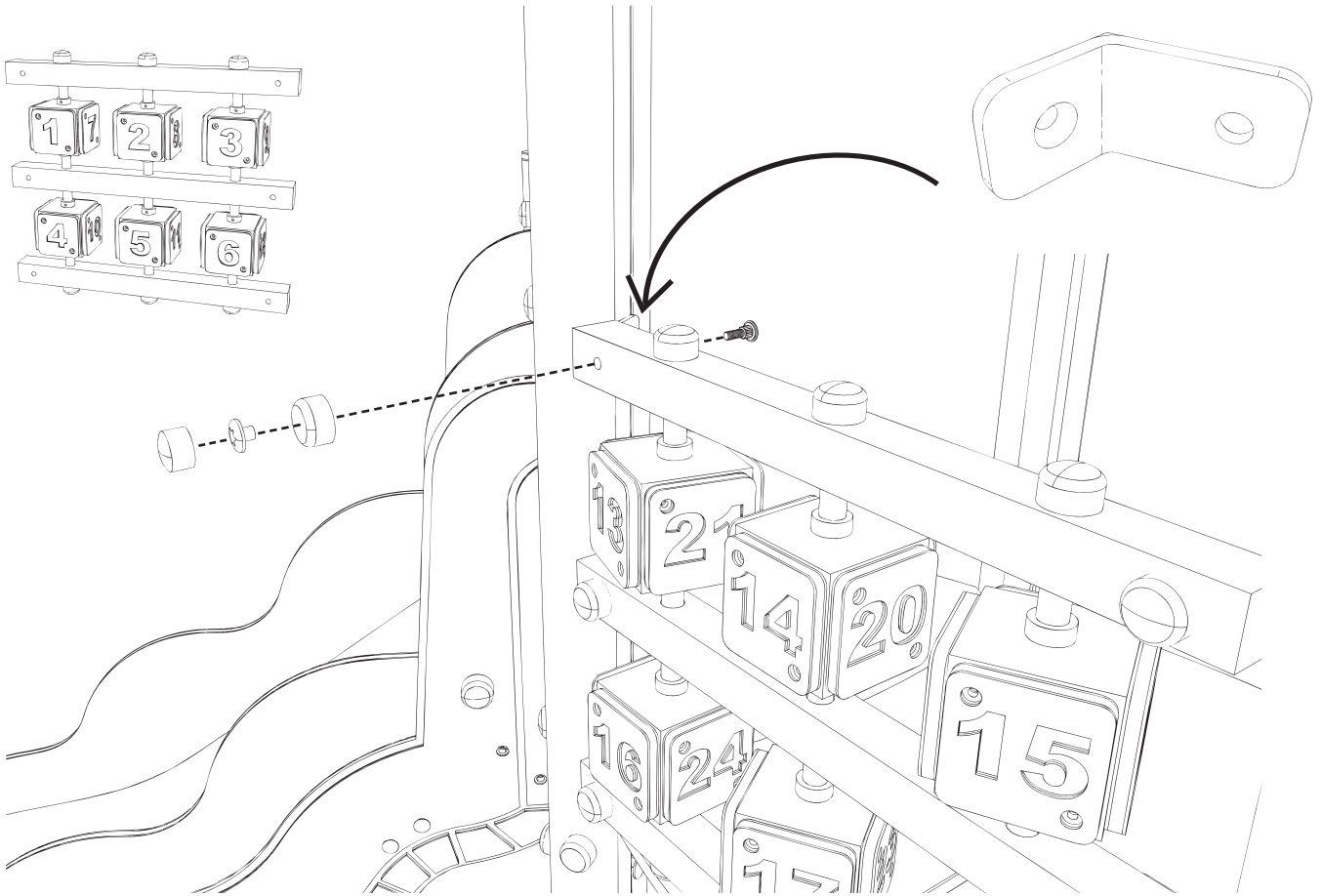
ROOF IS NOT LEVEL ensure the drawing right is followed (measurements are from top of PLATFORM / hex board)

# Installation + Assembly Instructions

**10**

## Attach the 123 Board

Using 6 x 40mm brass screws, 6 x STANDARD METAL BRACKETS, tork tainers and 123 Board assembly



TOP VIEW DETAIL

Platform 'SIDE'

Out 'SIDE'

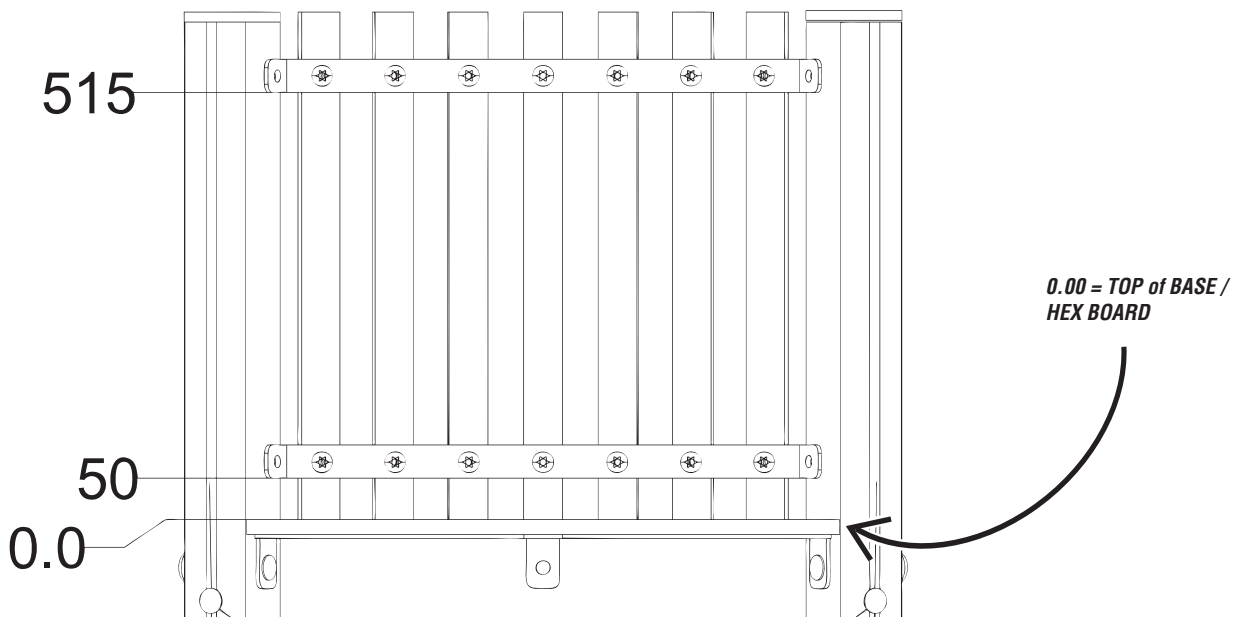
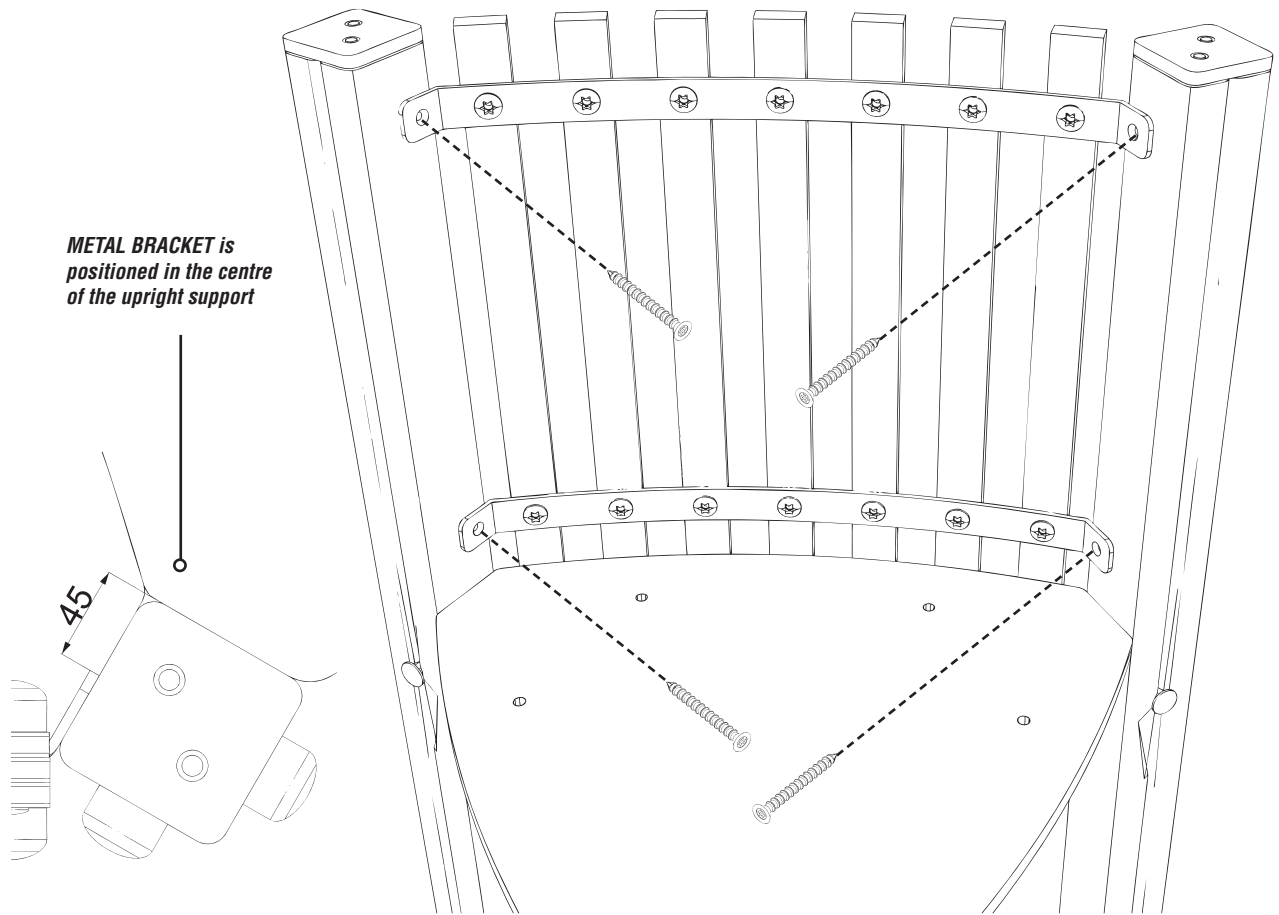
6 x TORKTAINER  
Thickness to go  
through = 52mm

# Installation + Assembly Instructions

**11**

## Attach Timber Guard Rail

Using 40mm brass screws

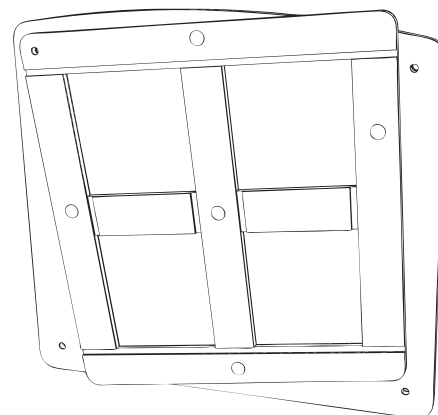
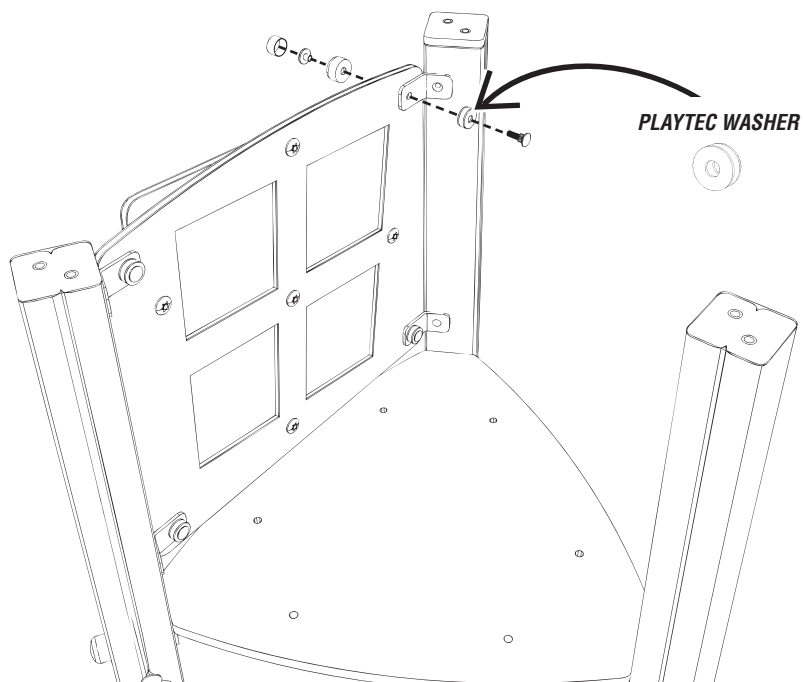


# Installation + Assembly Instructions

**12**

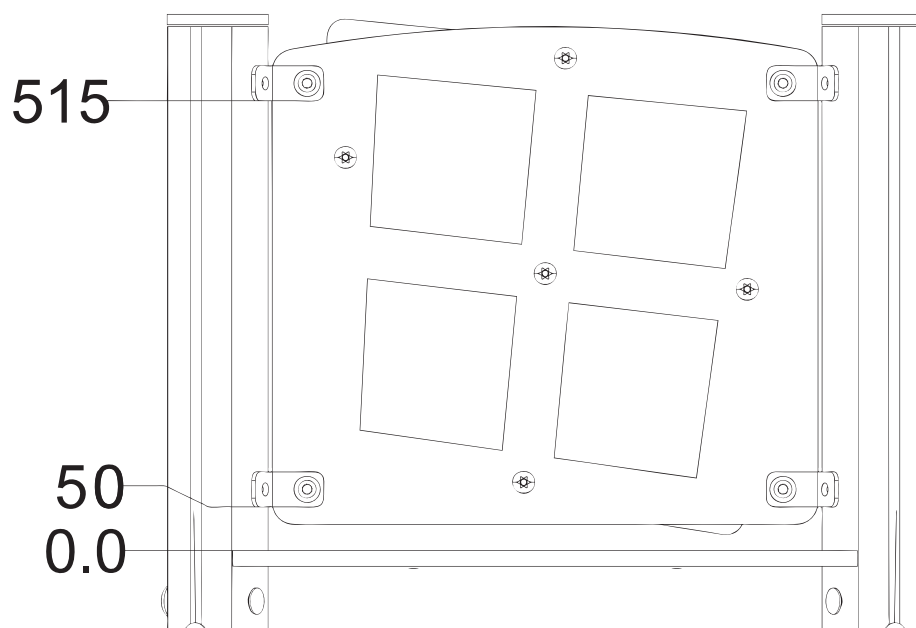
## Attach Window Guard Rail

Using 40mm brass screws, NYLOCS, TORKTAINERS & ENDCAPS



\*Window always faces OUT  
- Yellow frame OUTWARDS  
(away from platform)

3 x TORKTAINER @ 29mm  
thickness  
1 x TORKTAINER @ 41mm  
thickness

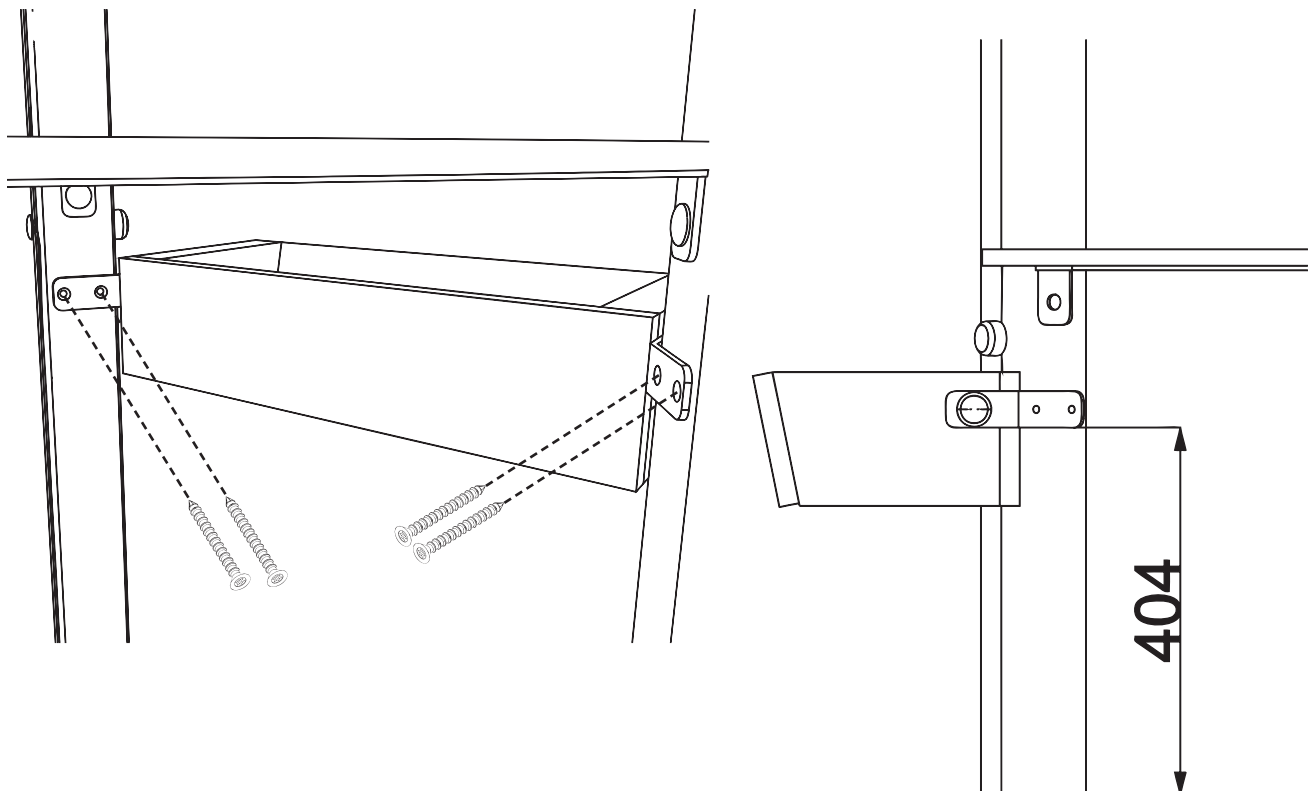
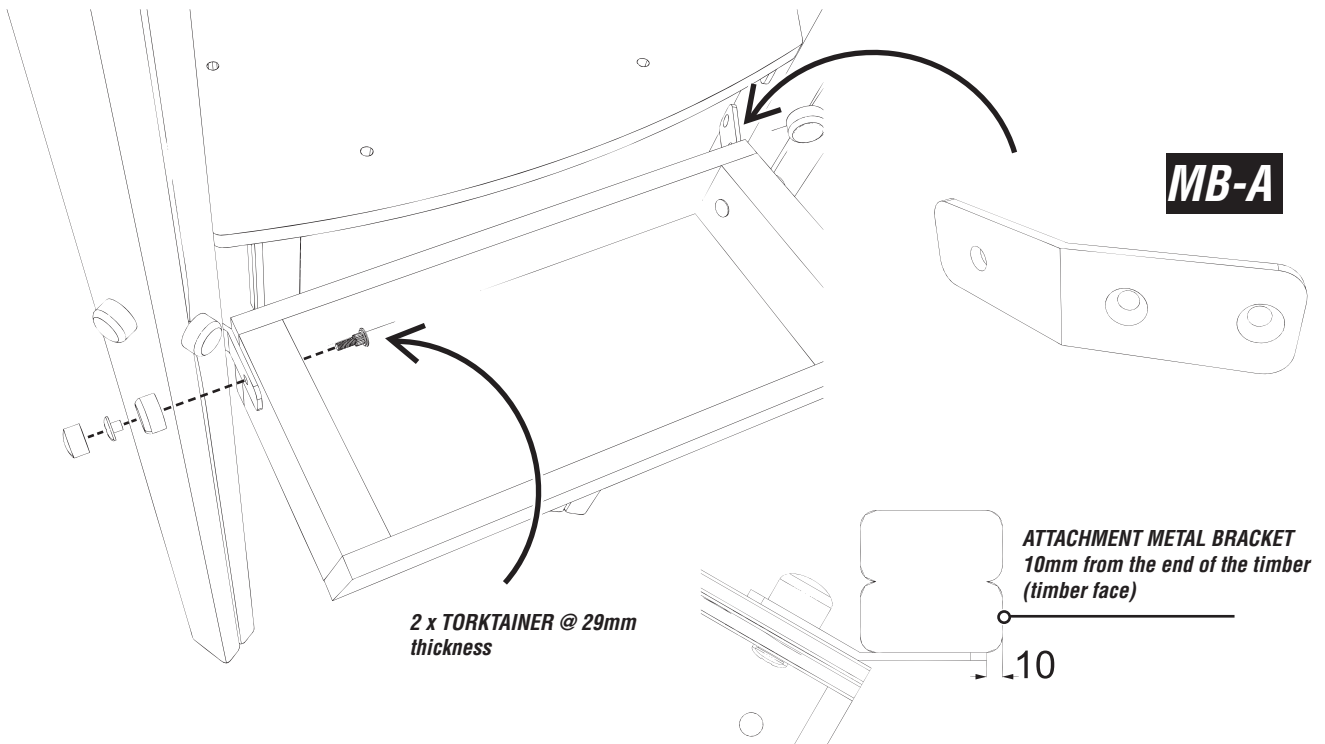


# Installation + Assembly Instructions

**13**

## Attach the Window Planter

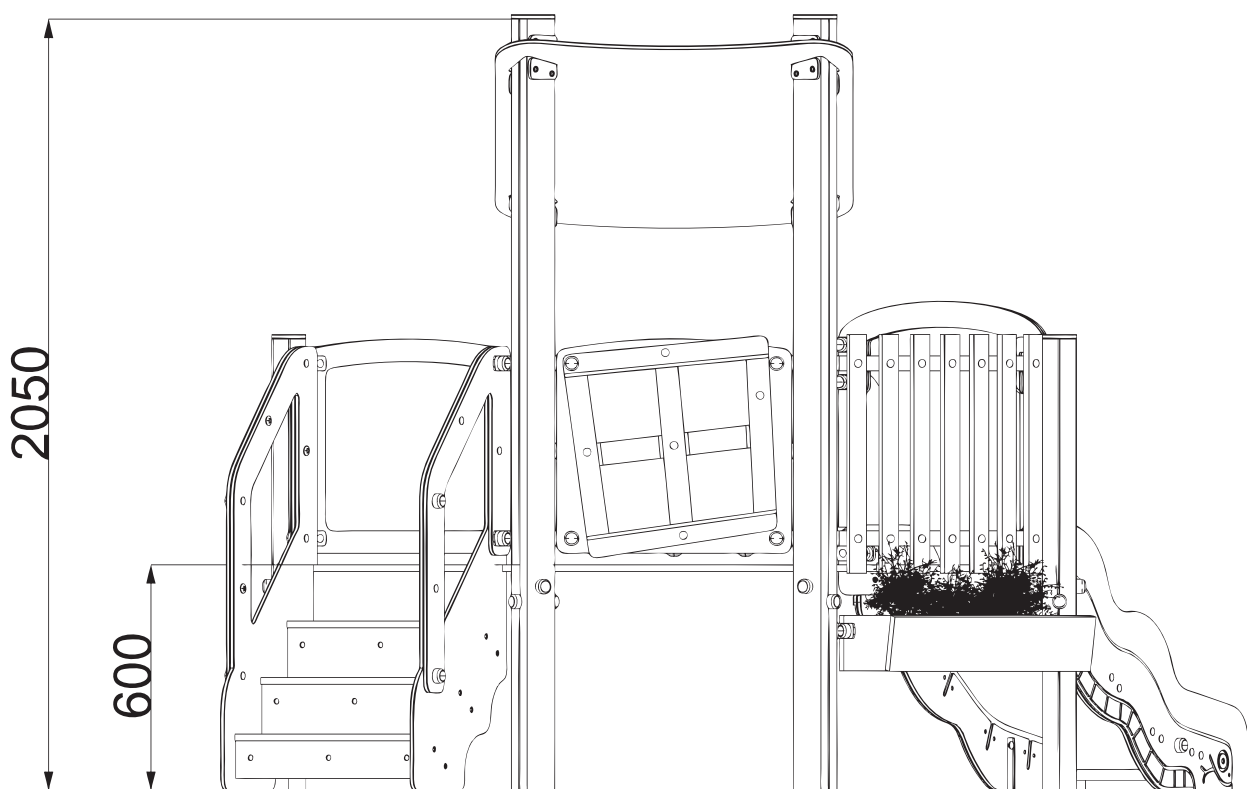
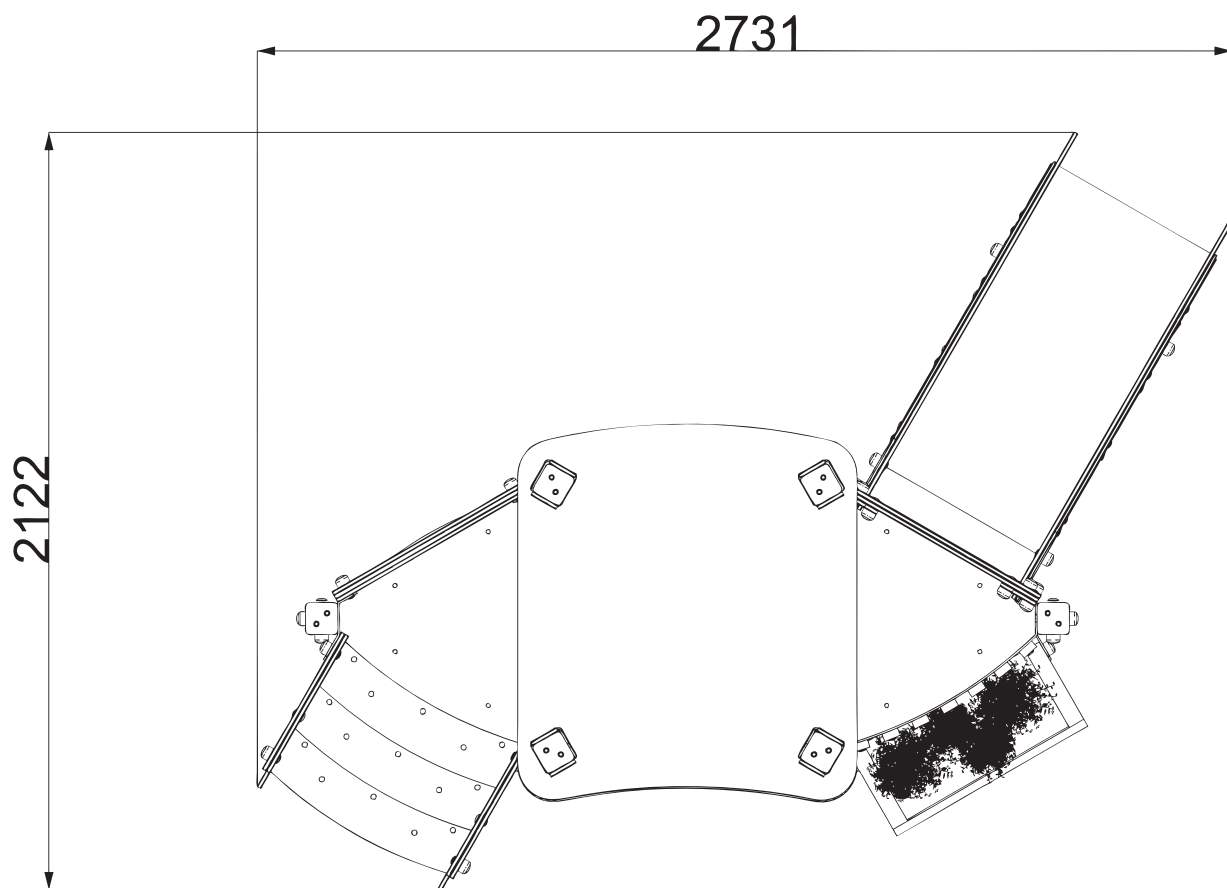
Using 80mm brass screws, NYLOCS, TORKTAINERS & ENDCAPS







# Dimensions



# NOTES:

---

***This space can be used to make any notes relating to installation / assembly of the MINI - pass this sheet back to PRODUCT DEVELOPMENT to review the notes***