

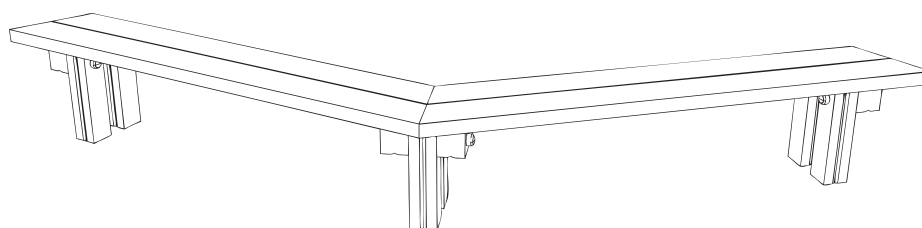
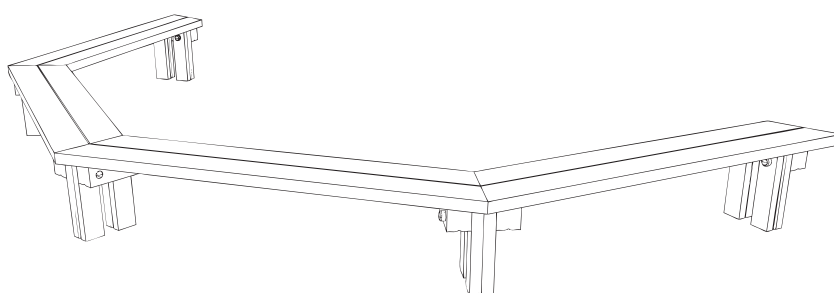
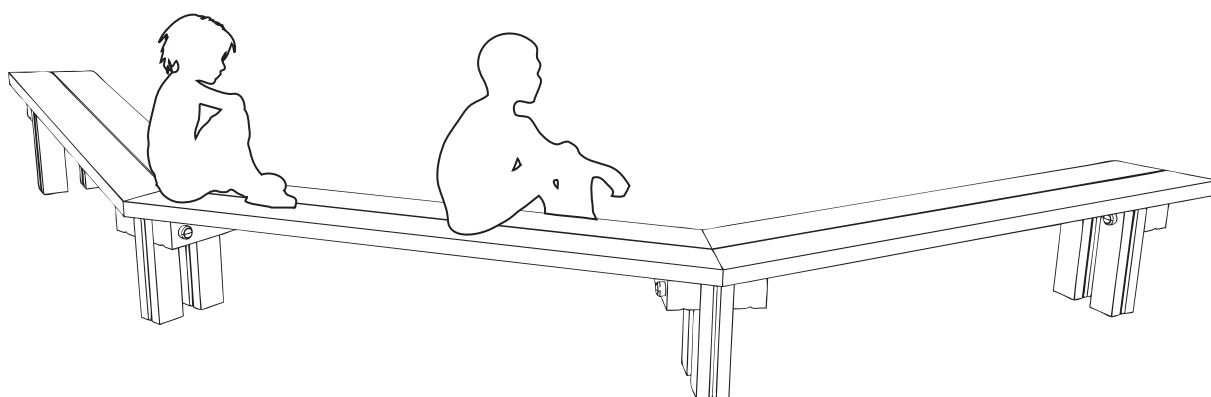
# **OCTAGONAL**

## **Modular Seating**

### **Assembly Instructions**

**creative  
play**

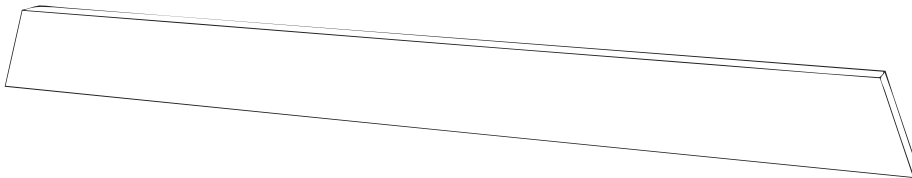
**3** **PIECE**



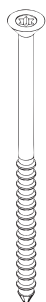
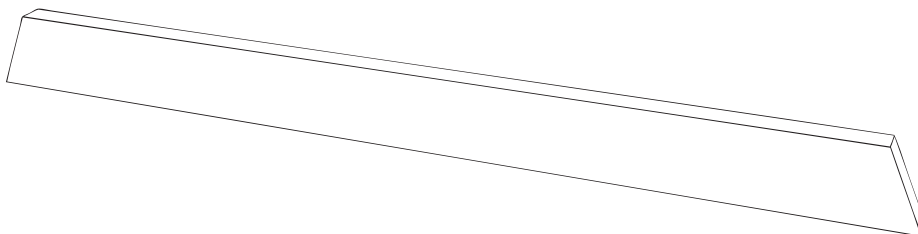
# ***PARTS required***

---

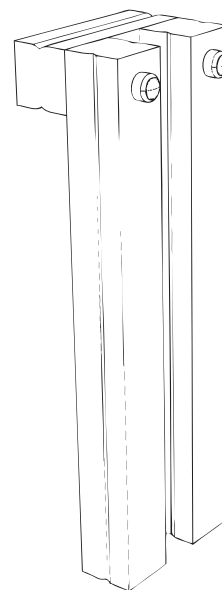
**T1** QTY 3 (147mm x 47mm)



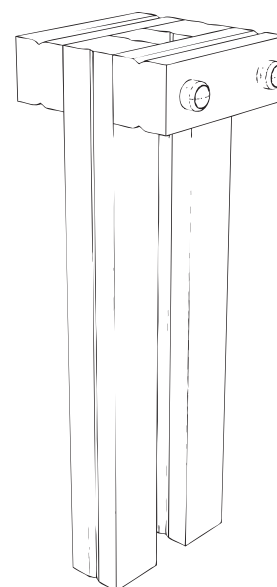
**T2** QTY 3 (147mm x 47mm)



**x24** (120mm brass screws)



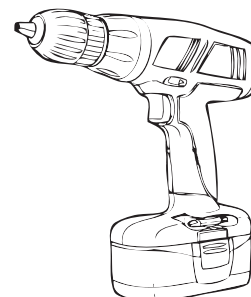
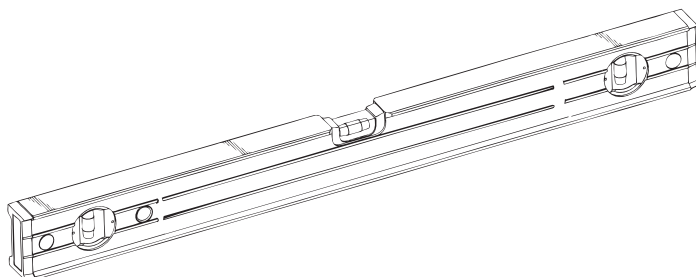
**QTY 2** (single support)



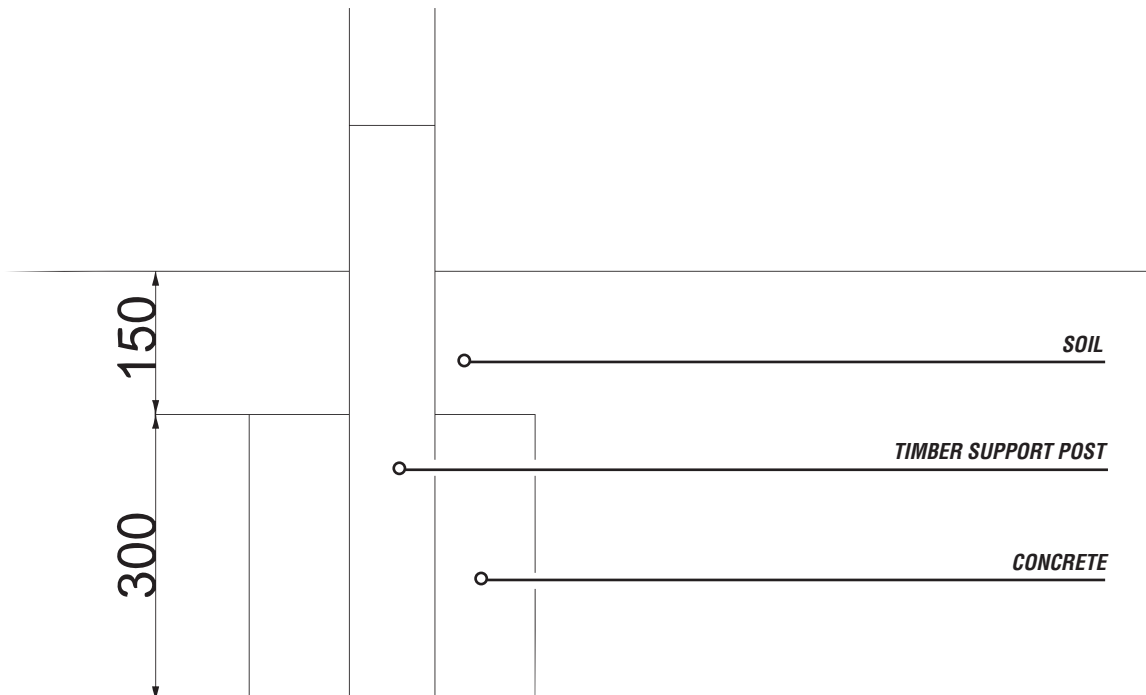
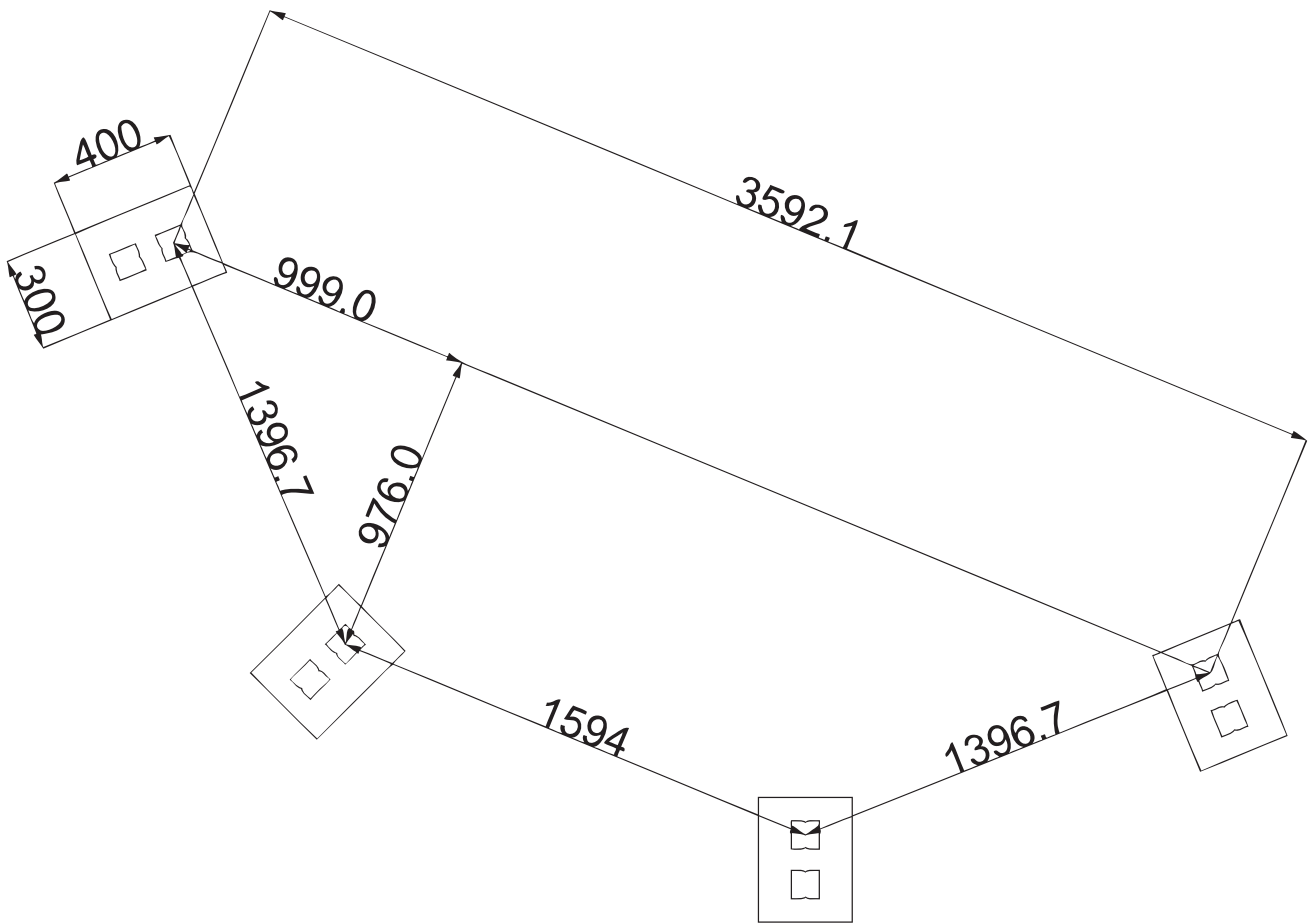
**QTY 2** (double support)

# ***TOOLS required***

---



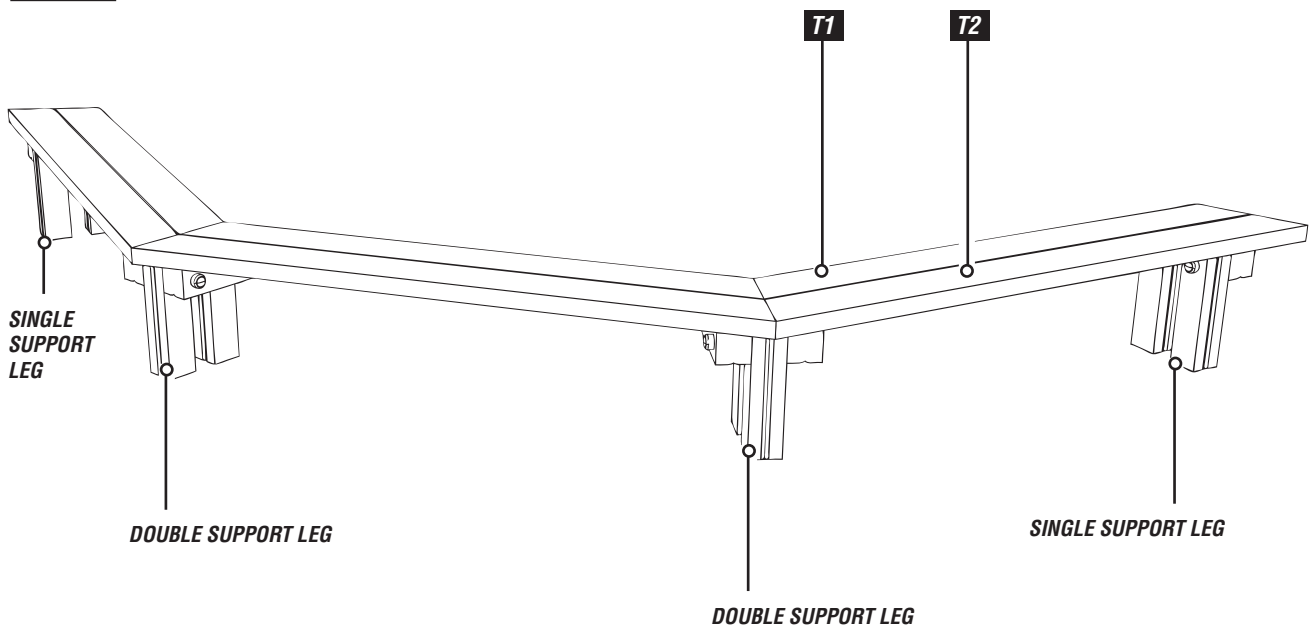
# Foundation Details



# Assembly Instructions

**1**

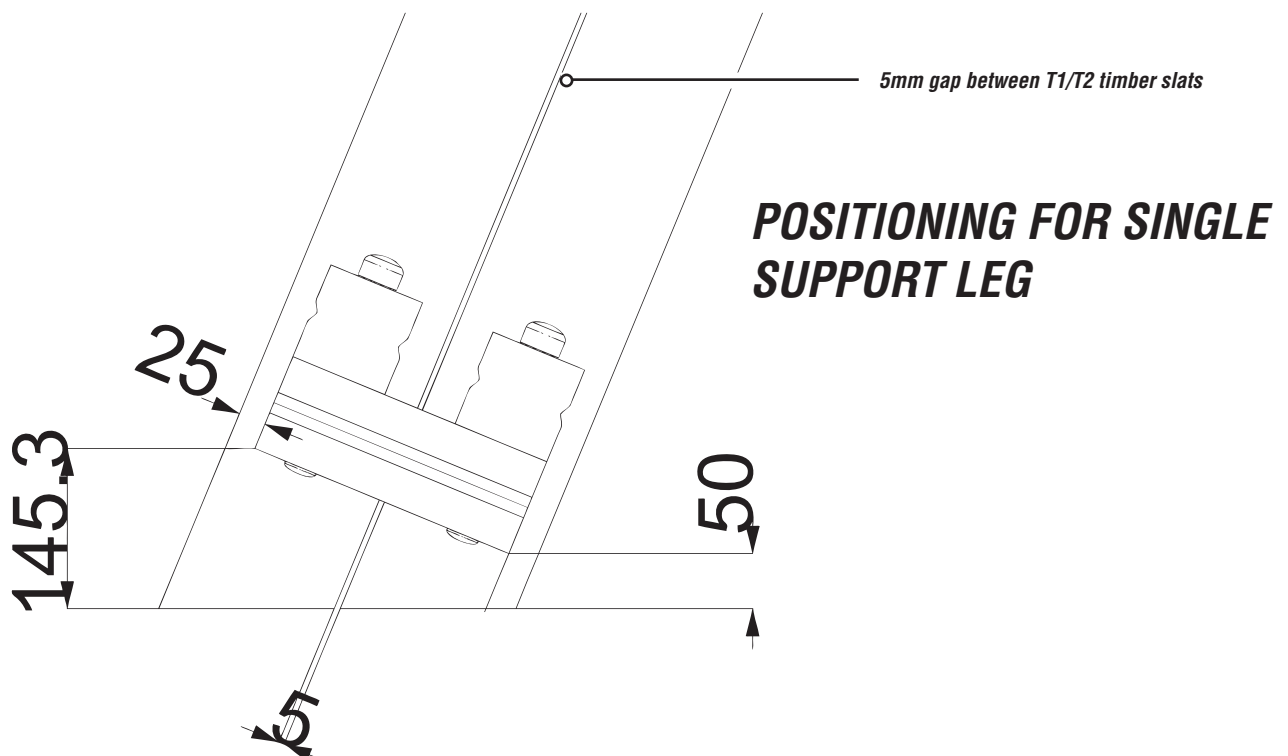
## 3 PIECE Octagonal Modular Seating



**2**

## Attach bench slats (T1 & T2 timbers) to the support assemblies

Using 120mm brass screws (4 x 120mm brass screws for each T1 /T2 timber)



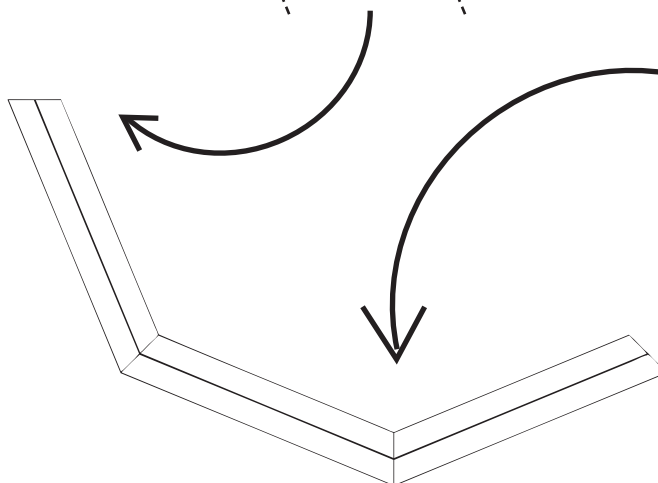
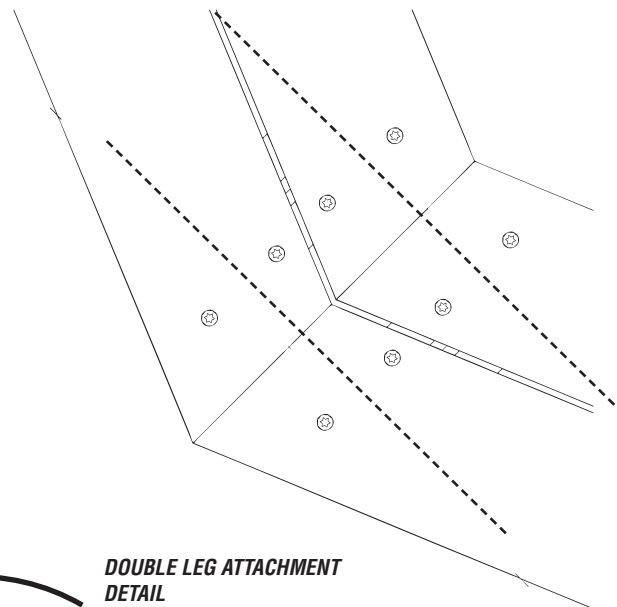
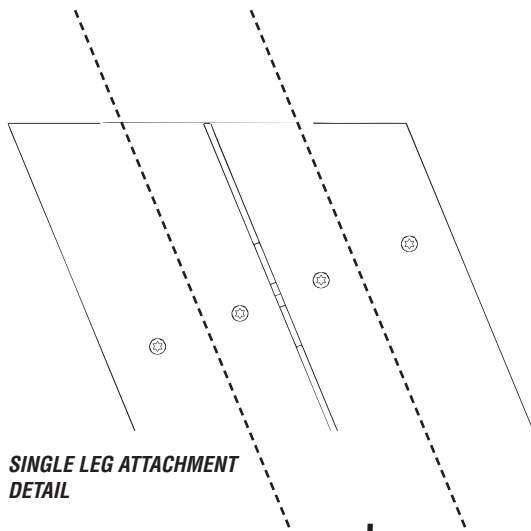
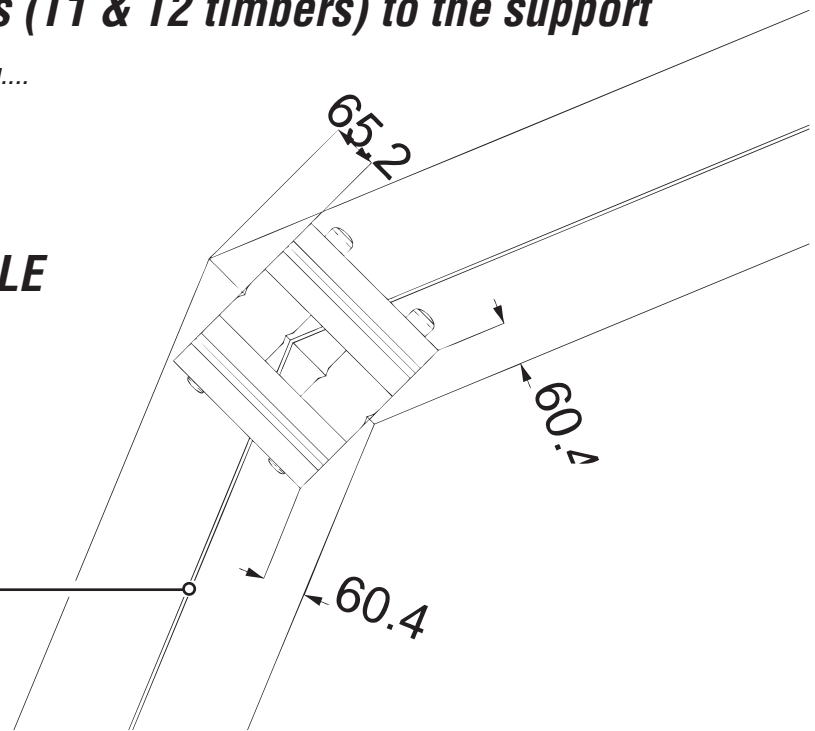
# Assembly Instructions

**3**

**Attach bench slats (T1 & T2 timbers) to the support assemblies** *Continued....*

## POSITIONING FOR DOUBLE SUPPORT LEG

5mm gap between T1 timber slats



**\*IMPOTANT - DASHED LINE SHOWS BOLT LOCATIONS FOR BENCH SUPPORTS - ensure the screws for the SLATS are positionned either side**

# Assembly Instructions

## 4 Additional dimensions

