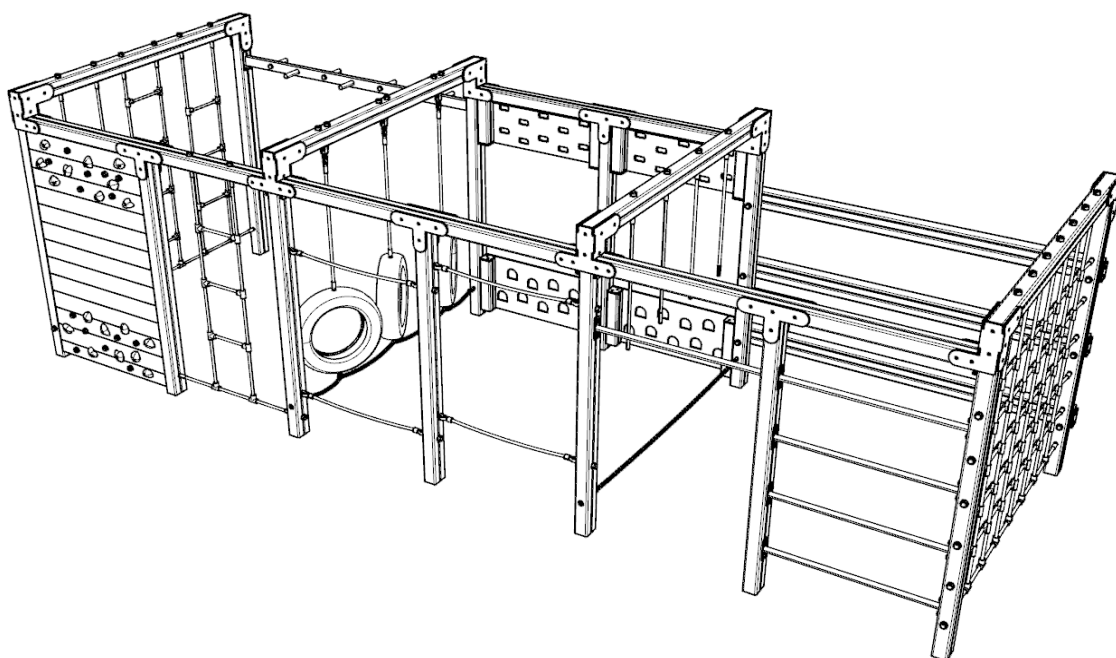
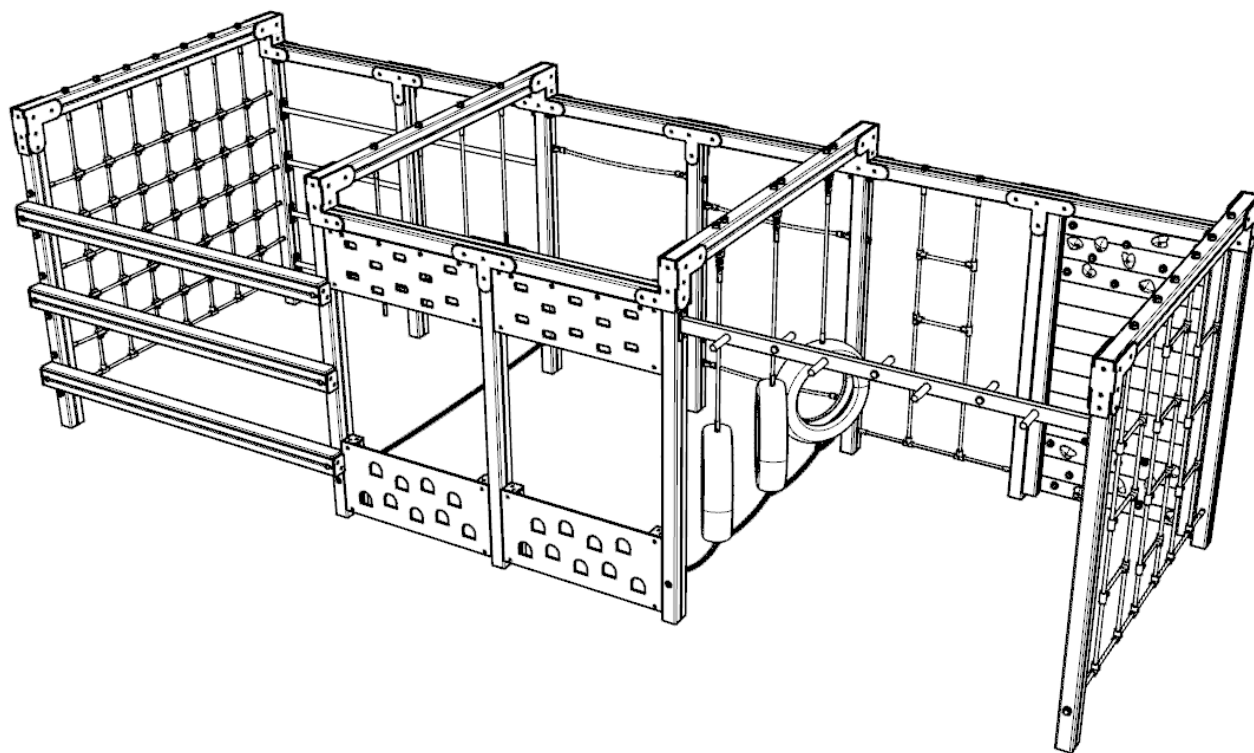


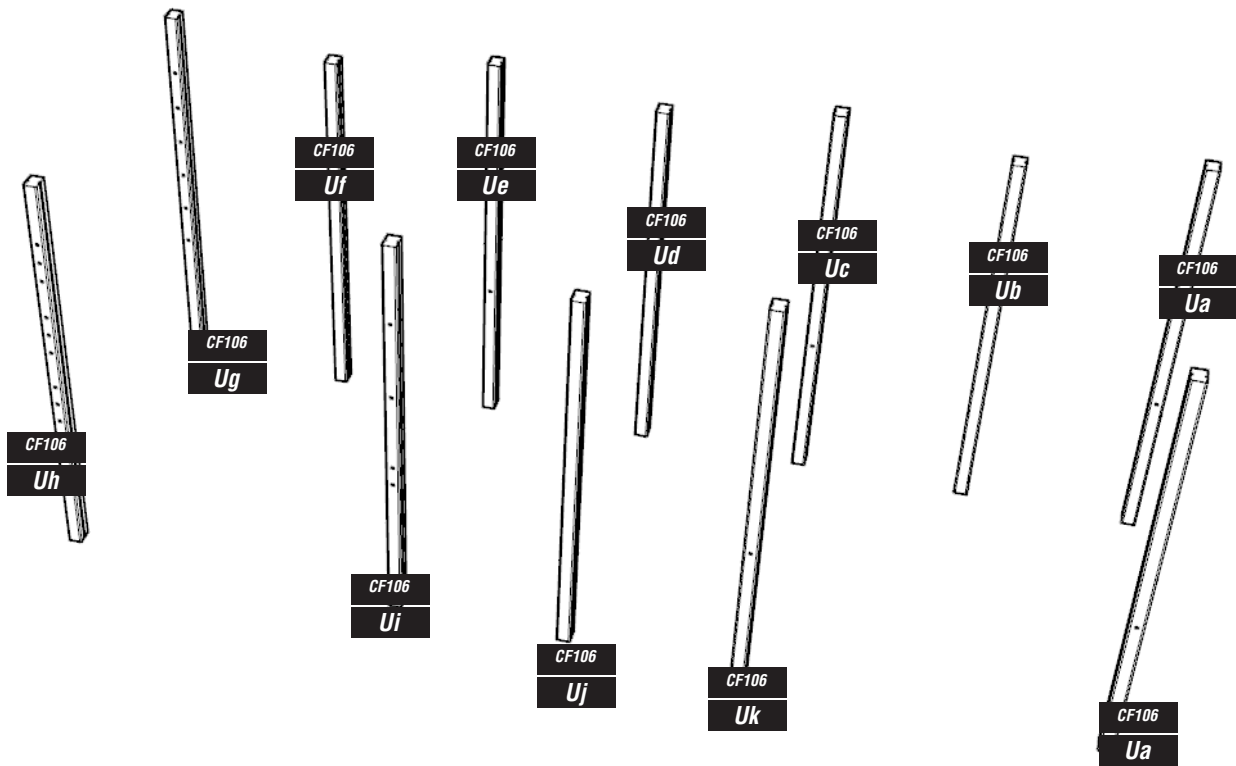
# **CF106 - MERSEY CLIMBING**

## **FRAME: *Installation Instructions***

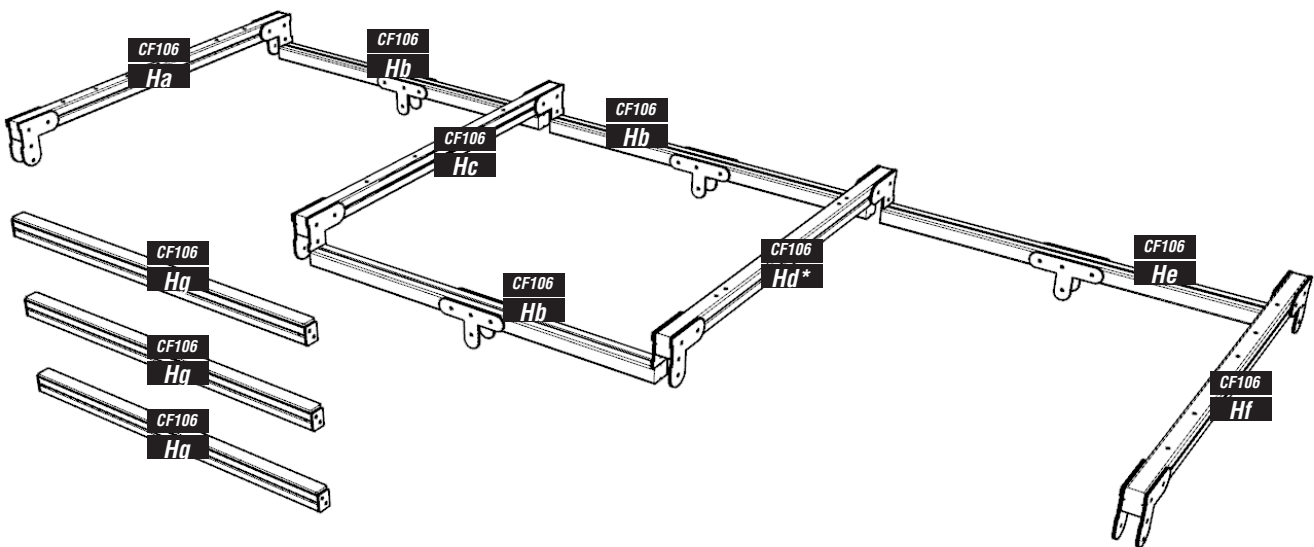
**creative  
play**



# PARTS REQUIRED



## UPRIGHT TIMBERS

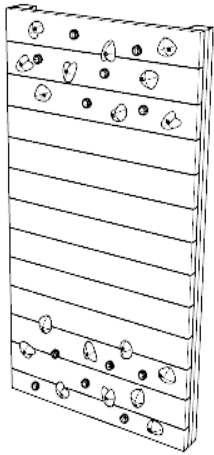


\*PLEASE NOTE CF106Hd INCLUDES THE SWING HANGERS  
ALL H TIMBERS ARE PRE-ASSEMBLED WITH PLAYTEC L's / T's (AS SHOWN ABOVE)

## HORIZONTAL TIMBERS

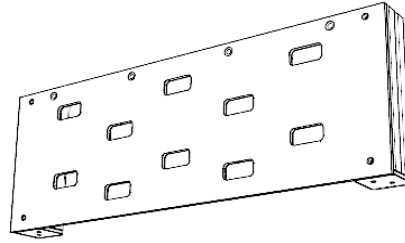
REF: CF106 MERSEY CLIMBING FRAME

# PARTS REQUIRED



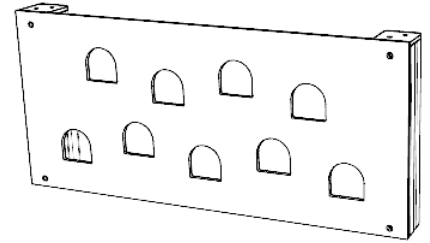
x1

**TIMBER CLIMBING WALL**



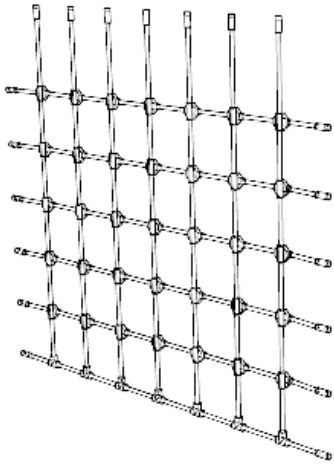
x2

**UPPER TRAVERSE PANEL**



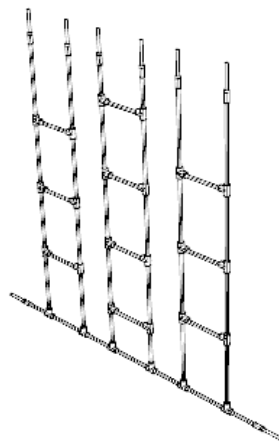
x2

**LOWER TRAVERSE PANEL**



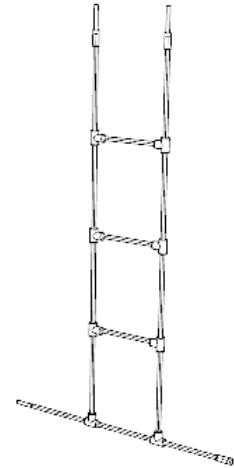
x1

**CARGO NET**



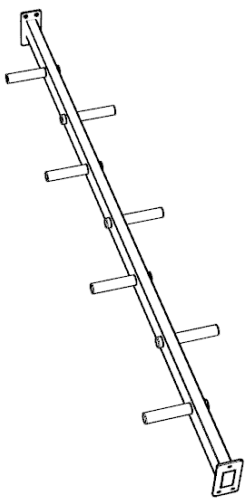
x1

**TRIPLE LADDER**



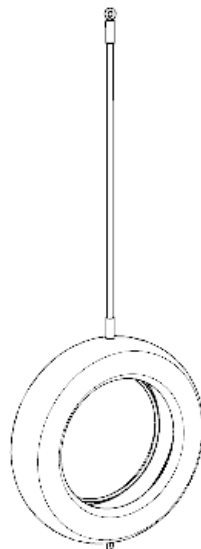
x1

**SINGLE LADDER**



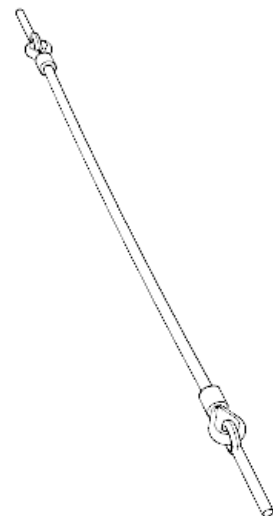
x1

**OVERHEAD LADDER**



x3

**TYRE**



x4

**INDIVIDUAL ROPE**

# PARTS REQUIRED



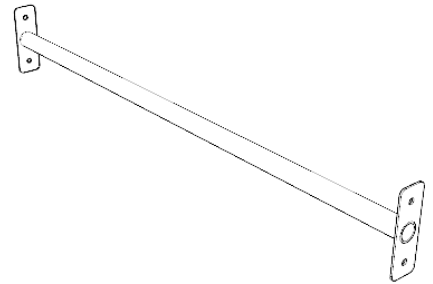
x4

**SWINGING ROPE**



x1

**SWINGING ROPE CHAIN**



x5

**STANDARD BAR (1065MM)**



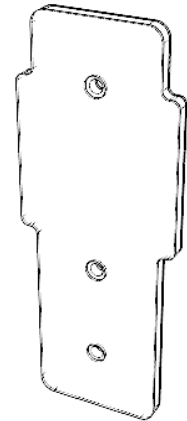
x2

**420MM TYRE CHAIN (EYEBOLT)**



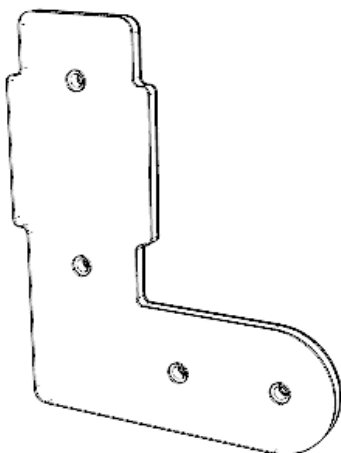
x2

**690MM TYRE CHAIN**



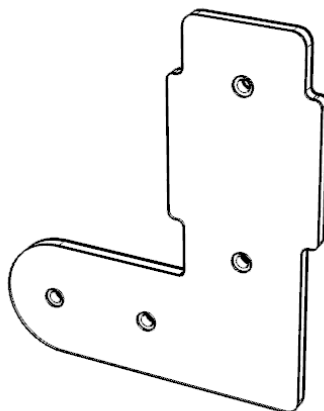
x2

**PLAYTEC - BACK**



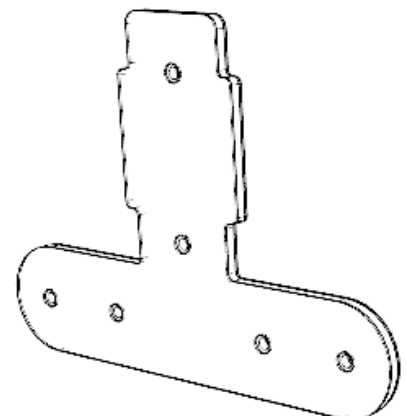
x2

**PLAYTEC L - RIGHT**



x2

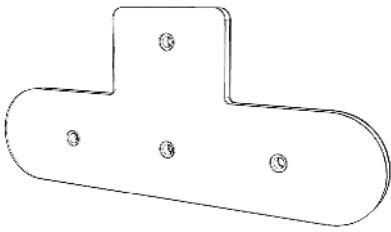
**PLAYTEC L - LEFT**



x2

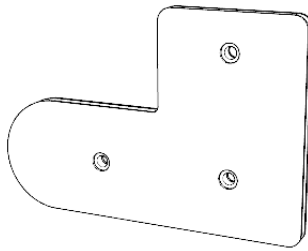
**PLAYTEC - SPECIAL T**

# PARTS REQUIRED



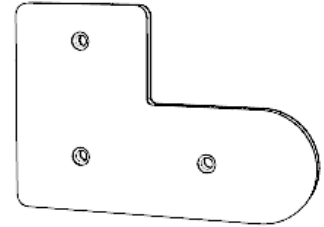
x2

**PLAYTEC - INSIDE T**



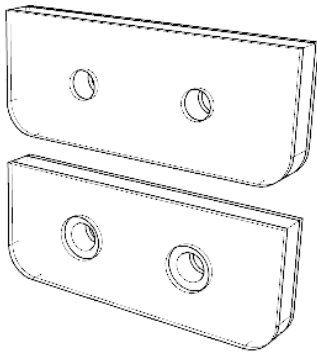
x2

**PLAYTEC - SHORT L (LEFT)**



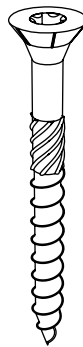
x2

**PLAYTEC - SHORT L (RIGHT)**



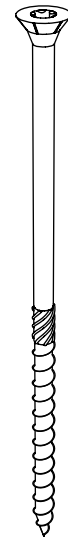
x5 (PAIRS)

**PLAYTEC - UNDER BRACKETS**



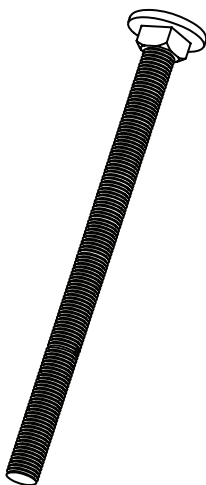
x120

**97.M8X80CSK**



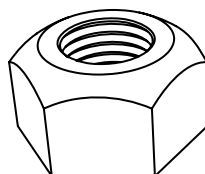
x24

**97.M8X180CSK**



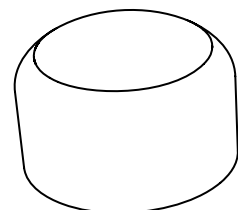
x6

**274.M12X230**



x40

**656.M12**

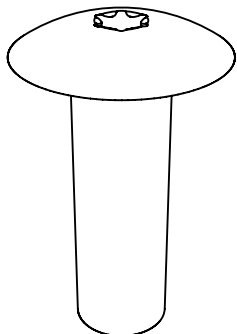


x40

**102003-01 - M12**

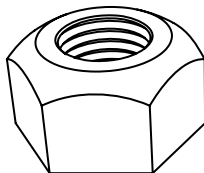
# **PARTS REQUIRED**

---



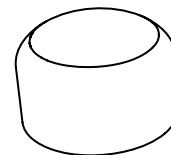
**x5**

**M12 SOCKET NUT (50MM)**



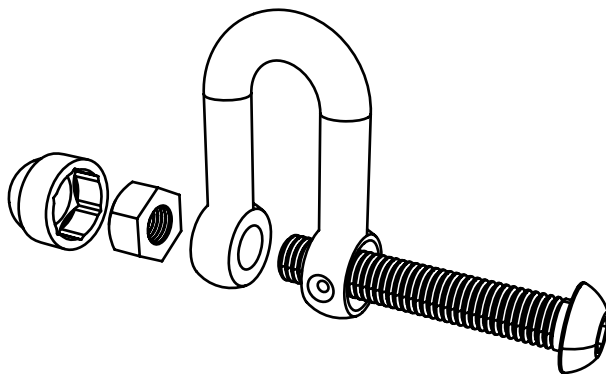
**x8**

**656.M10**



**x20**

**102001-0 - M8**

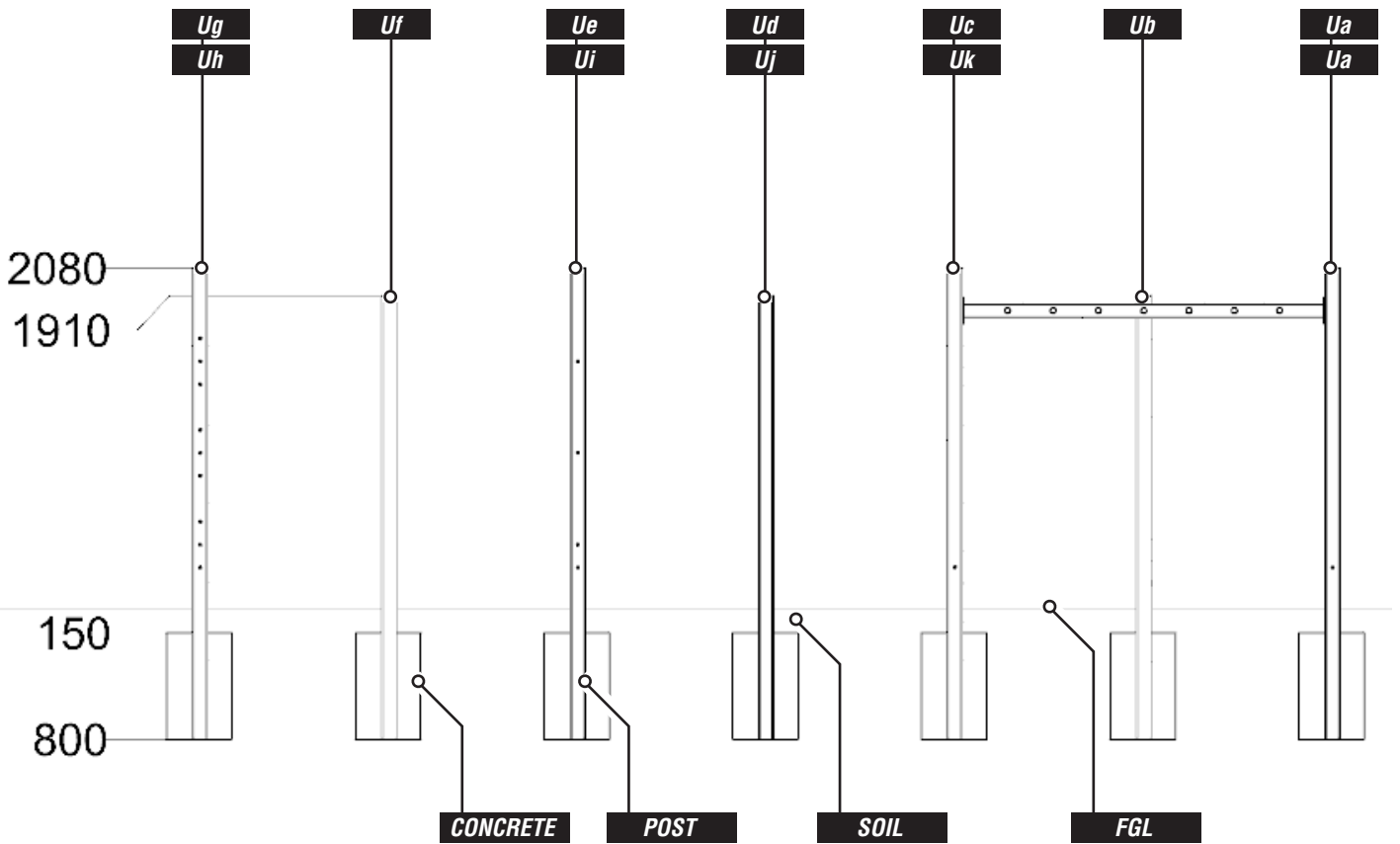
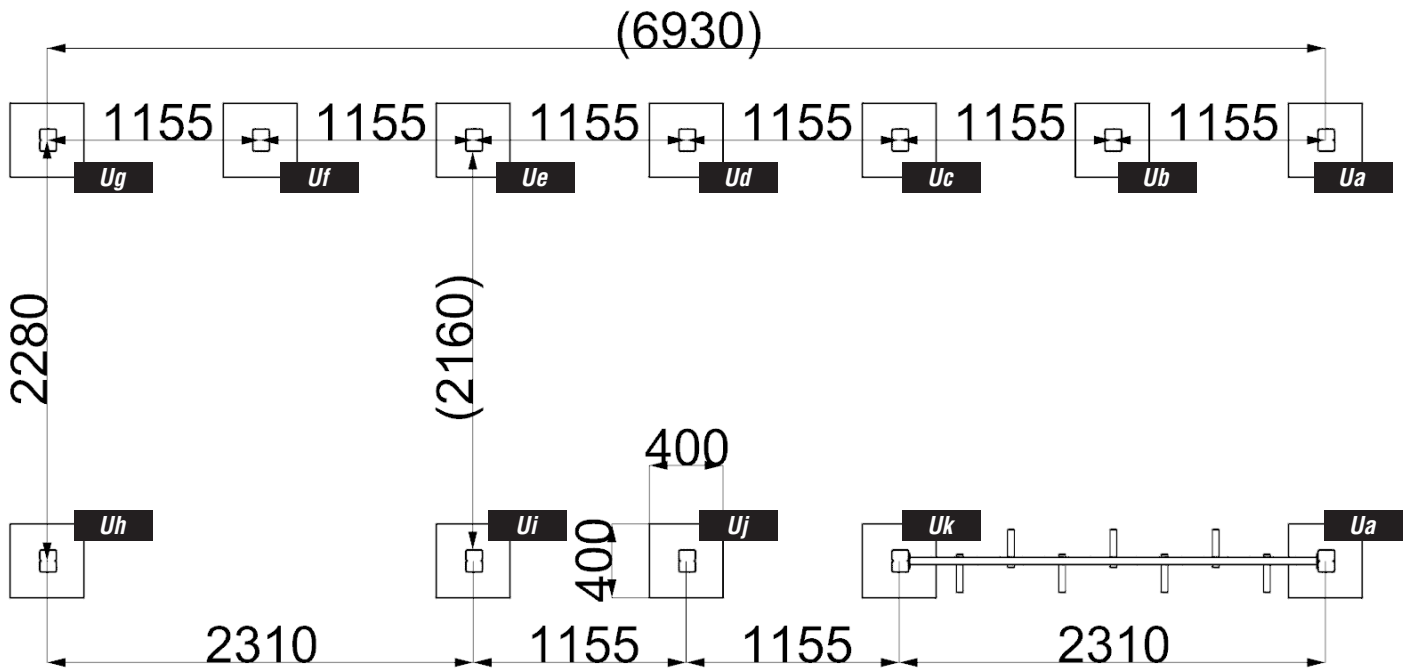


**CONSISTS OF  
SHACKLE / BOLT / NYLOC / CAP**

**x10**

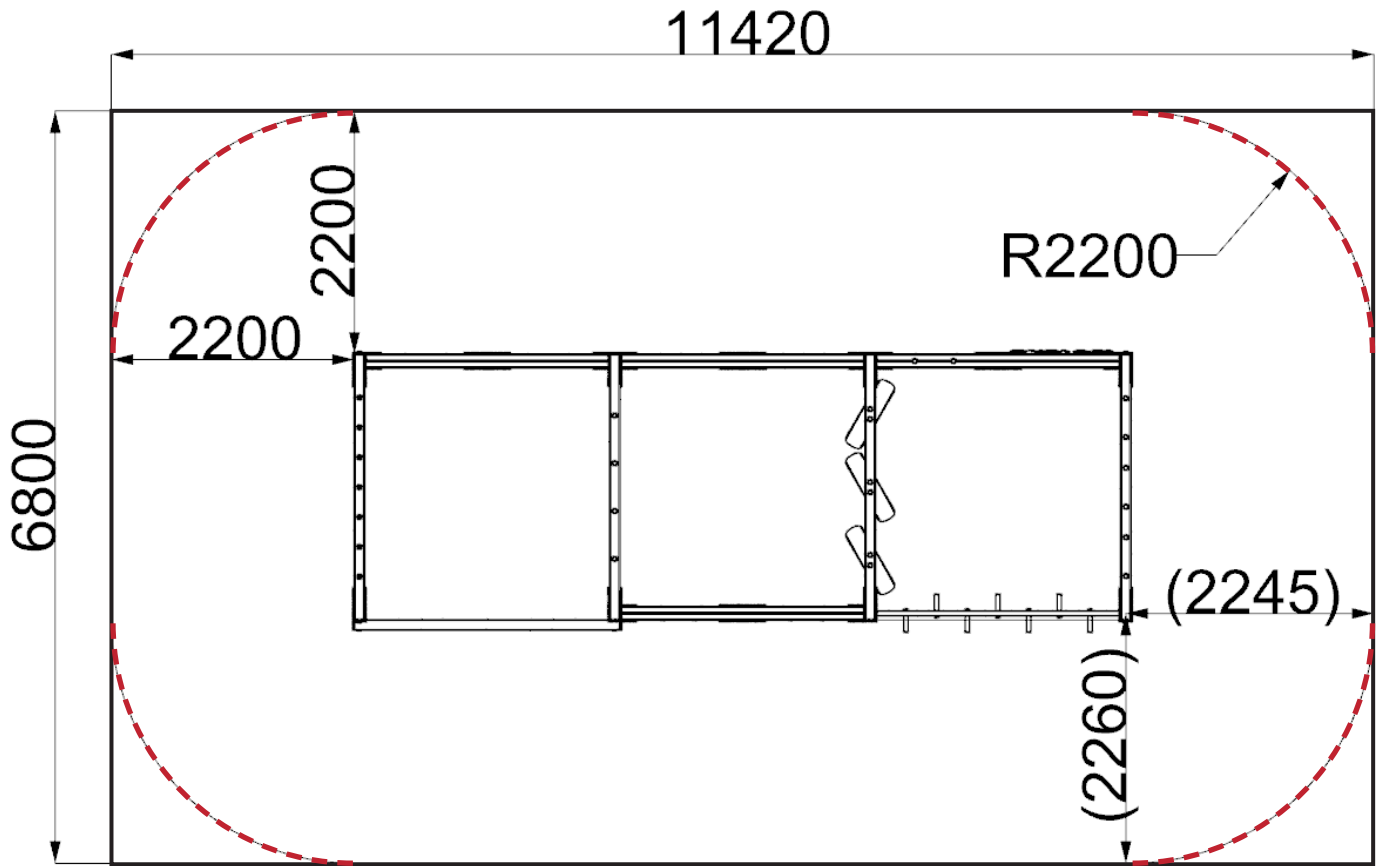
**349.742.D-SHACKLE 'SET' (inc 4 spares)**

# FOUNDATION DETAILS



# SURFACING DETAILS

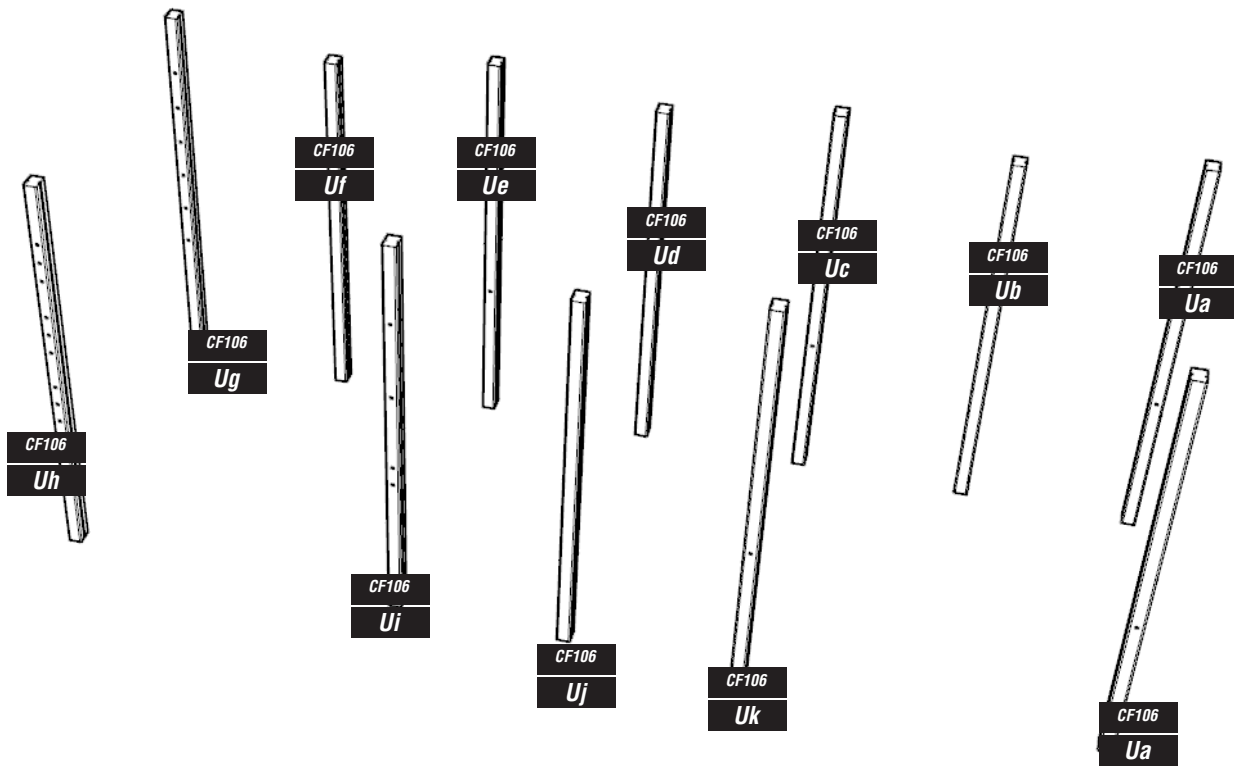
- - - = MINIMUM SPACE
- = OVERALL AREA



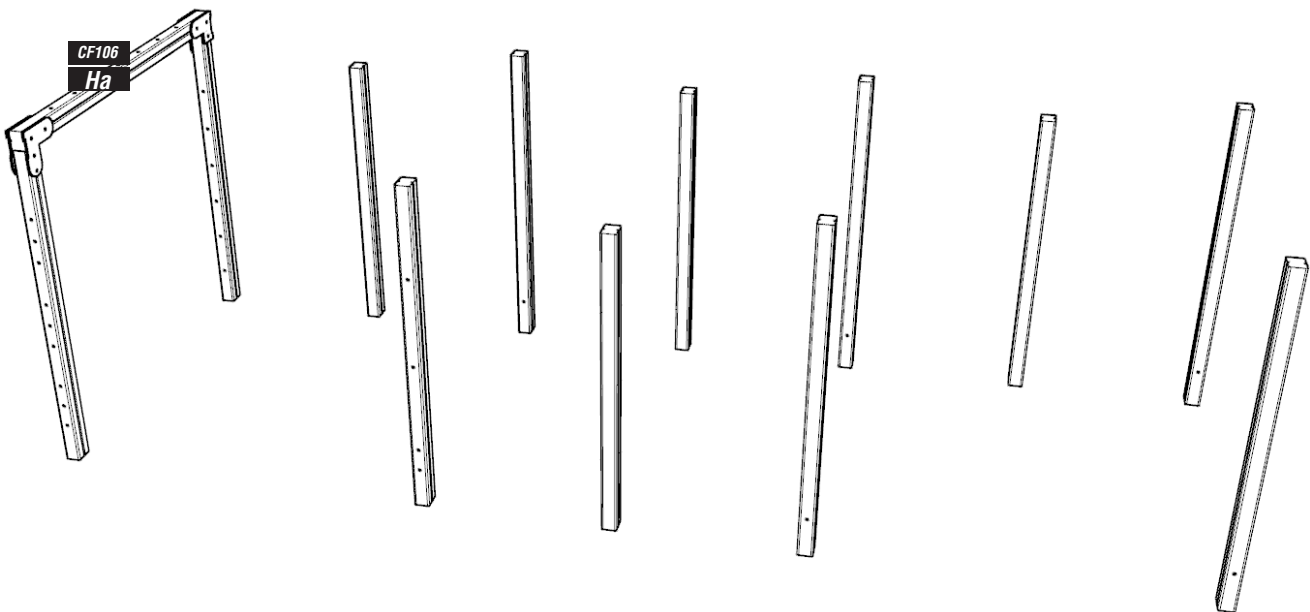


# INSTALLATION INSTRUCTIONS

## 1 POSITION THE UPRIGHT TIMBERS FOLLOWING FOUNDATION DETAILS

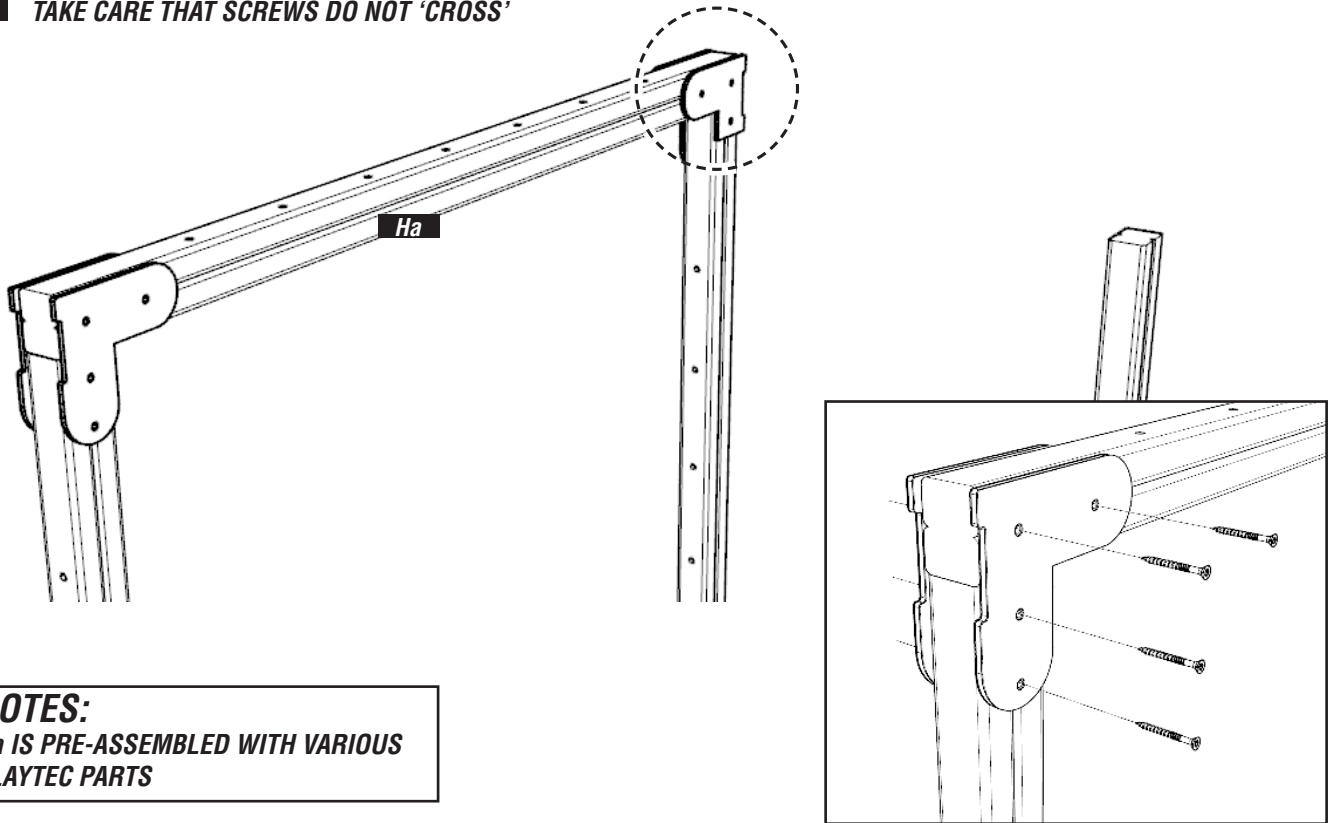


## 2 ATTACH TIMBER Ha USING 8X80 WOOD SCREWS

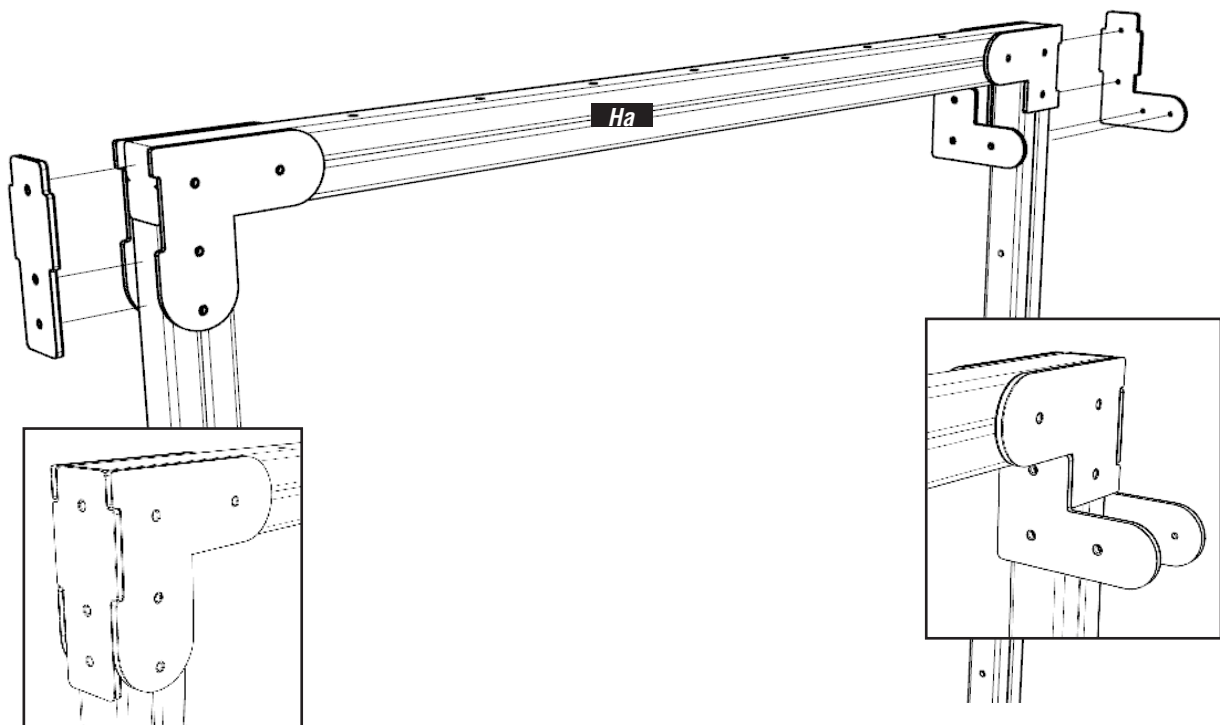


# INSTALLATION INSTRUCTIONS

- 3** ENSURE BRACKETS ARE POSITIONED AS SHOWN BELOW  
TAKE CARE THAT SCREWS DO NOT 'CROSS'



- 4** ATTACH PLAYTEC - BACK, SHORT L (RIGHT) & L (LEFT)  
USING 8X80 WOOD SCREWS, ENSURE COUNTERSINKS ARE ON THE OUTSIDE

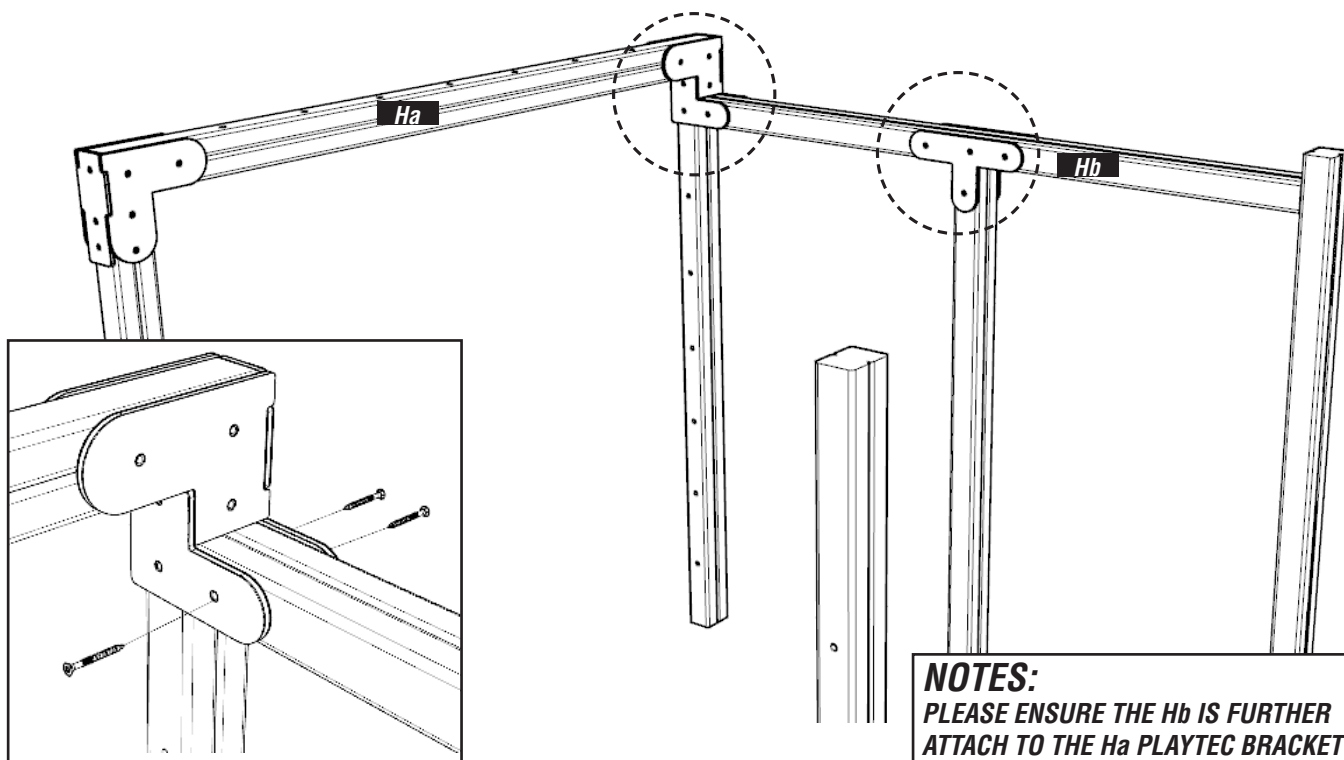


# INSTALLATION INSTRUCTIONS

**5**

**ATTACH TIMBER Hb**

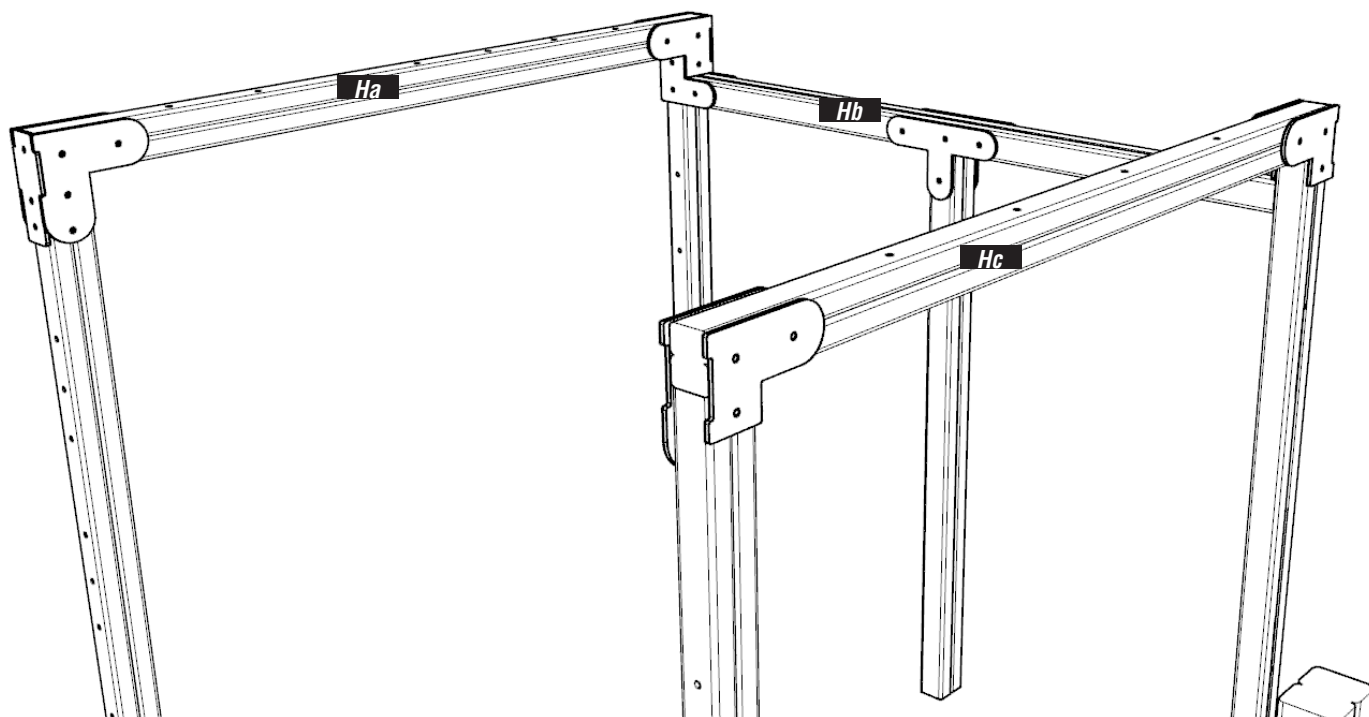
USING 8X80 WOOD SCREWS



**6**

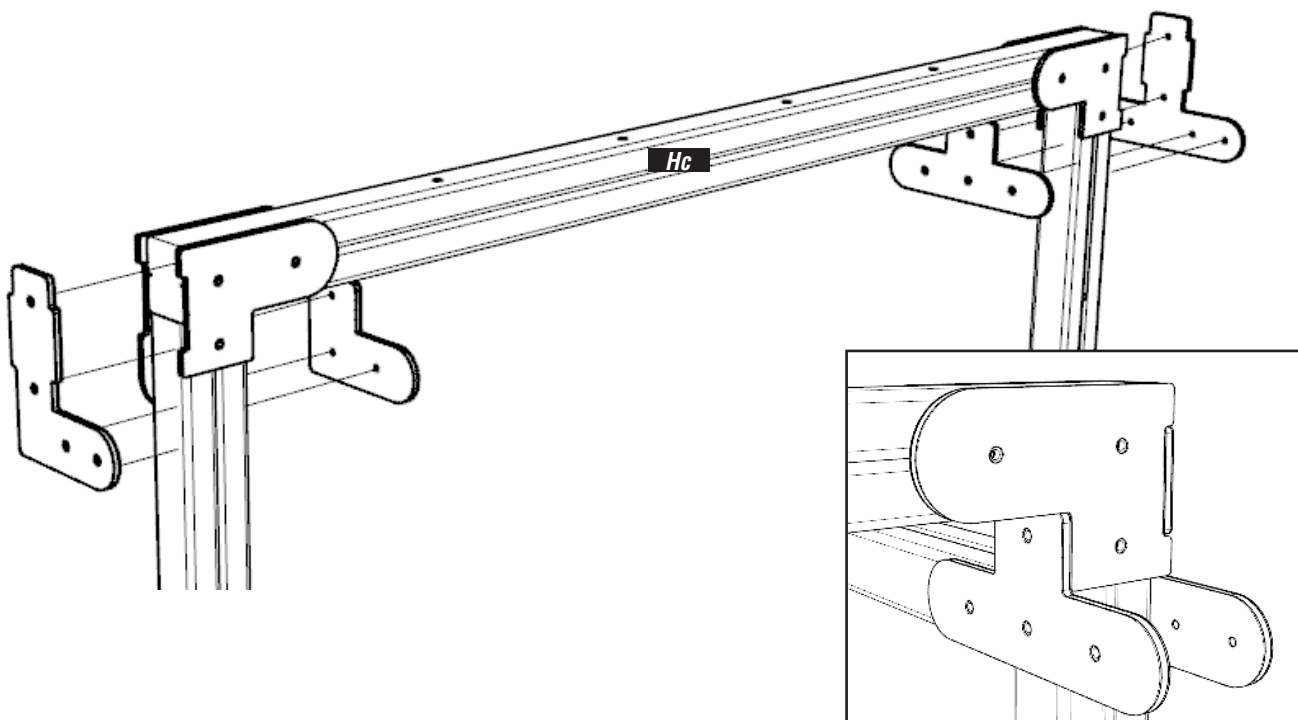
**ATTACH TIMBER Hc**

USING 8X80 WOOD SCREWS

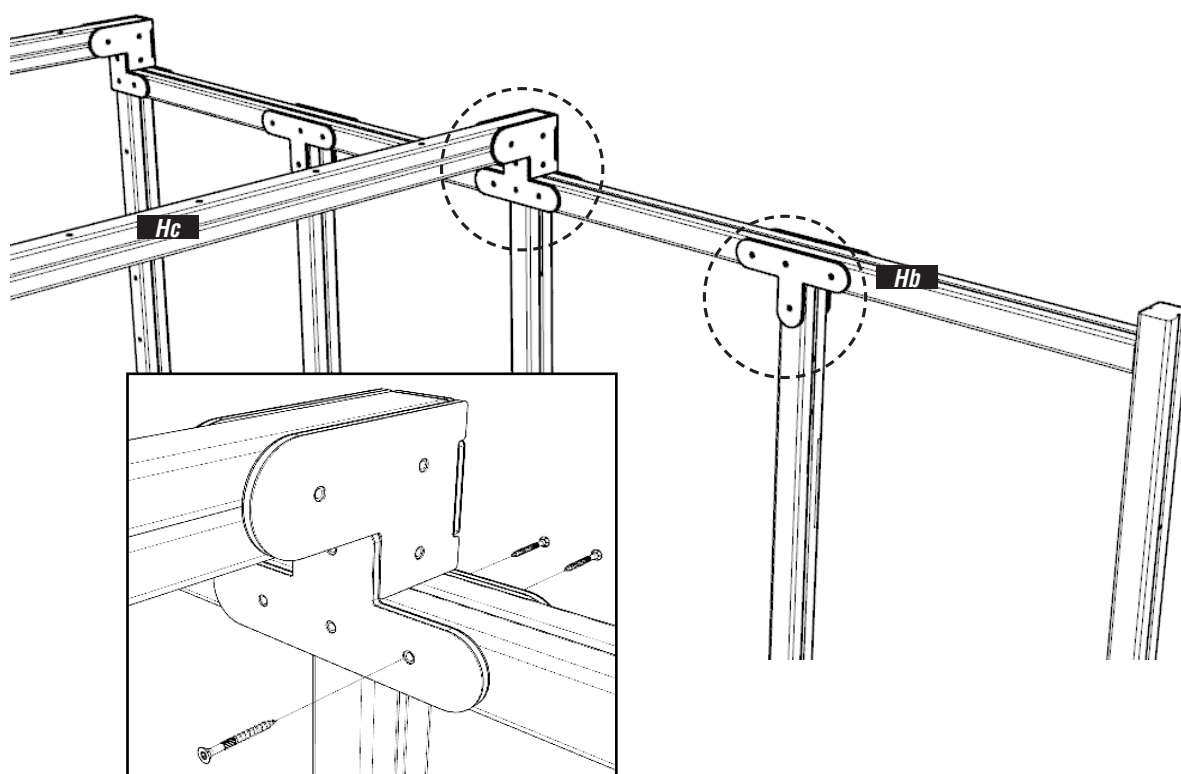


# INSTALLATION INSTRUCTIONS

- 7** ATTACH PLAYTEC - L (RIGHT), SHORT L (LEFT), INSIDE T & SPECIAL T  
USING 8X80 WOOD SCREWS



- 8** ATTACH THE SECOND Hb TIMBER  
USING 8X80 WOOD SCREWS

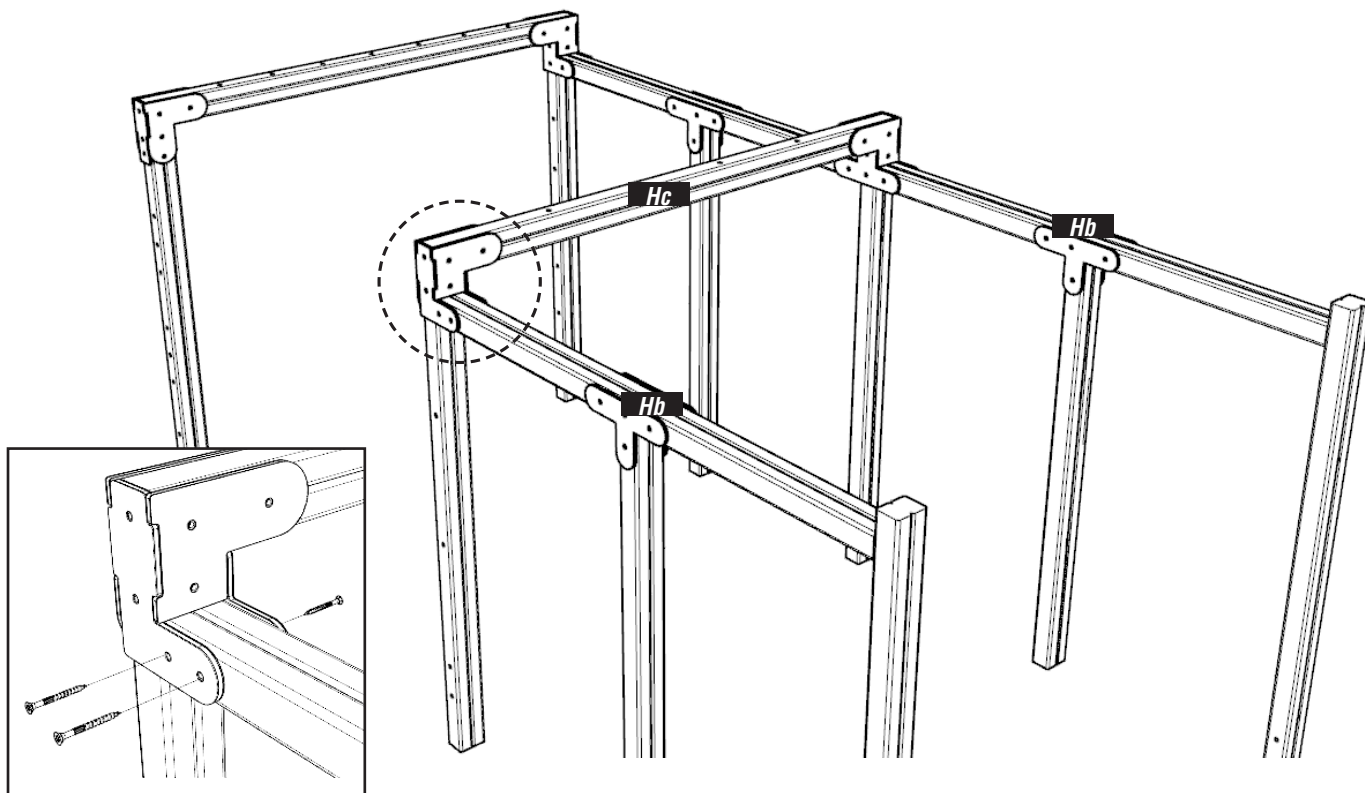


# INSTALLATION INSTRUCTIONS

**9**

**ATTACH THE SECOND Hb TIMBER**

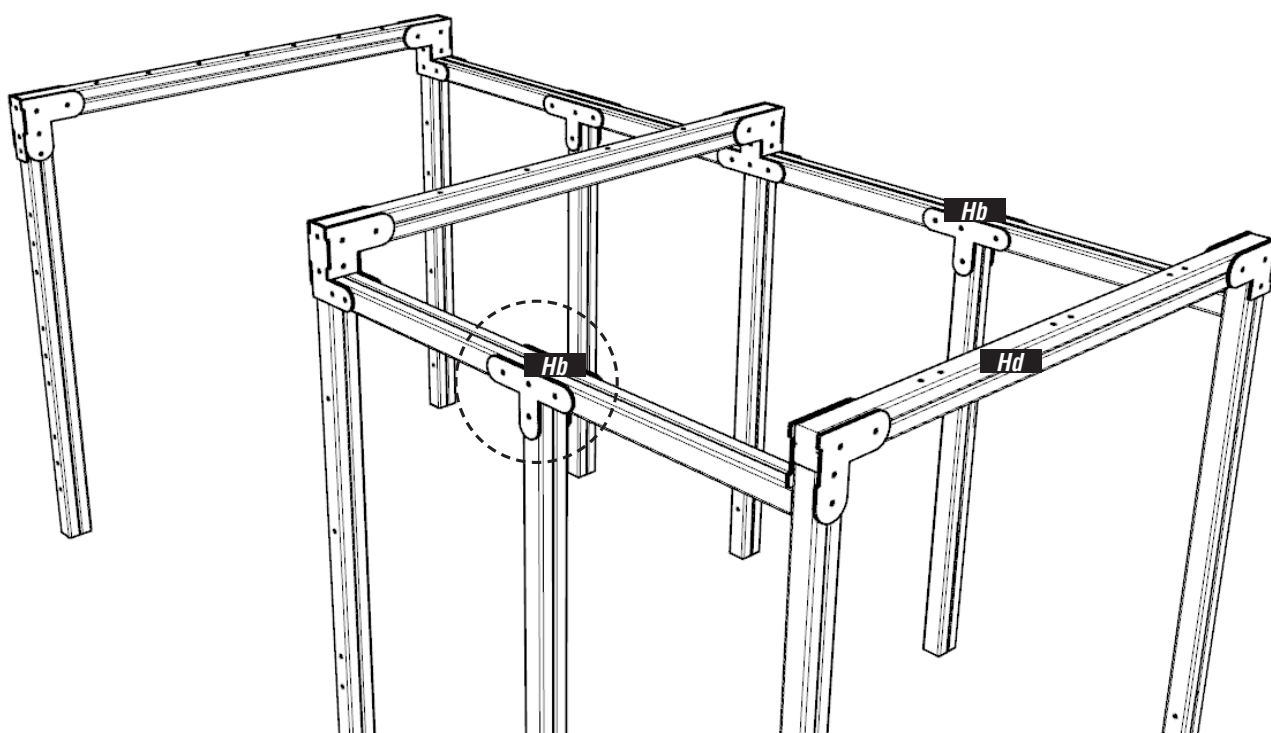
USING 8X80 WOOD SCREWS



**10**

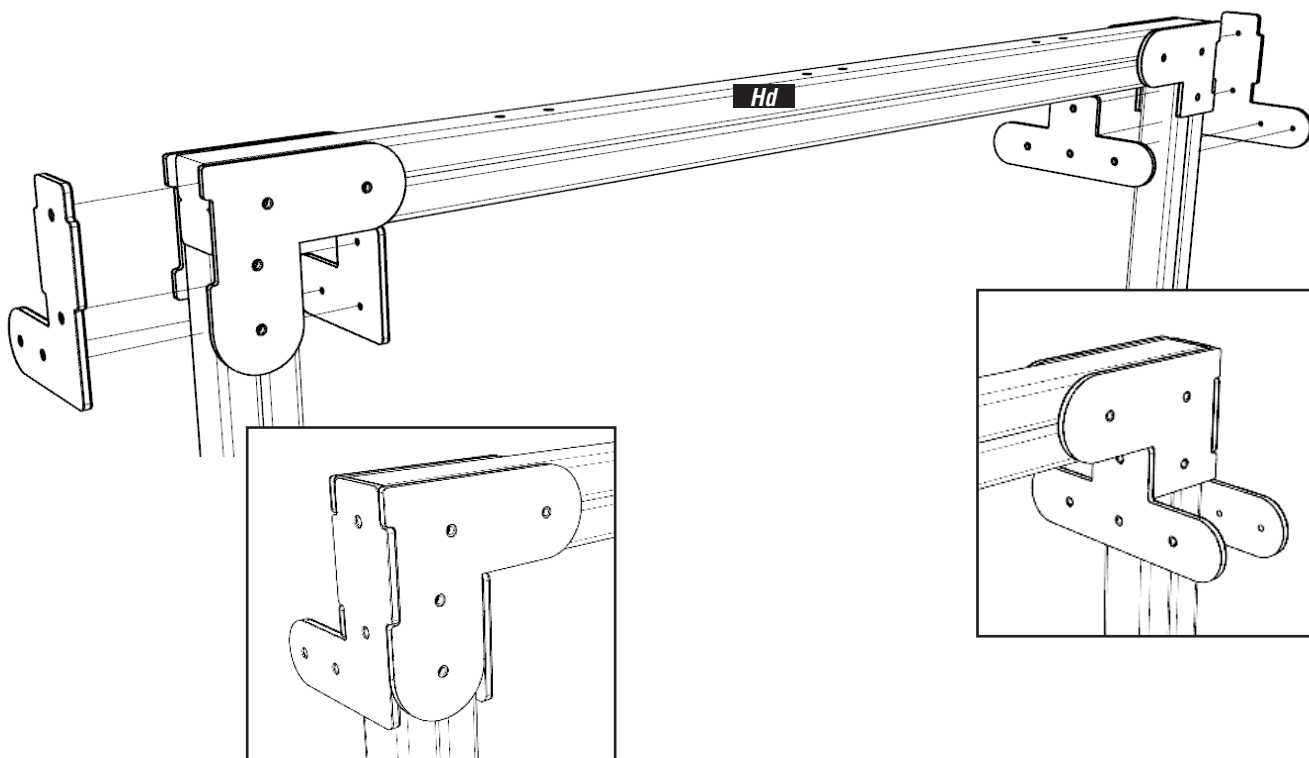
**ATTACH TIMBER Hd**

USING 8X80 WOOD SCREWS

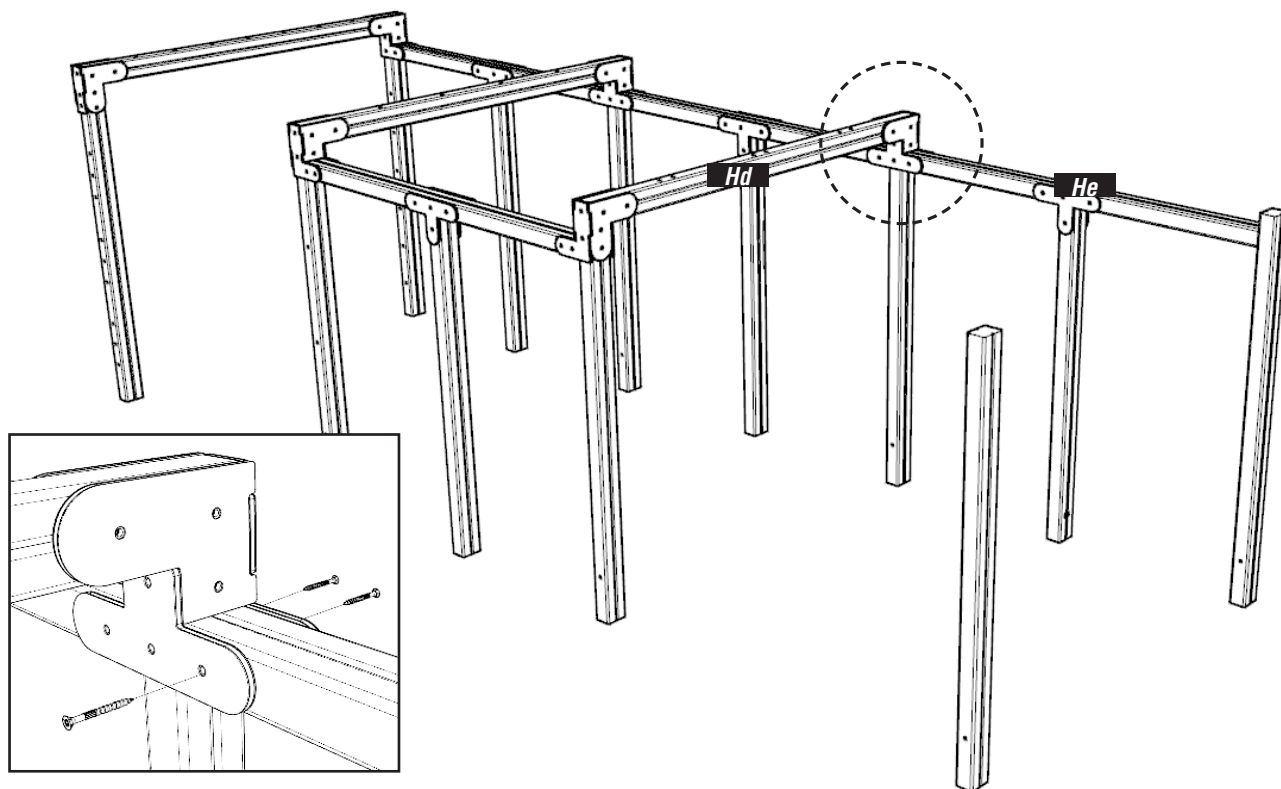


# INSTALLATION INSTRUCTIONS

## **11** ATTACH PLAYTEC - L (LEFT), SHORT L (RIGHT), SHORT T & SPECIAL T USING 8X80 WOOD SCREWS



## **12** ATTACH TIMBER He USING 8X80 WOOD SCREWS

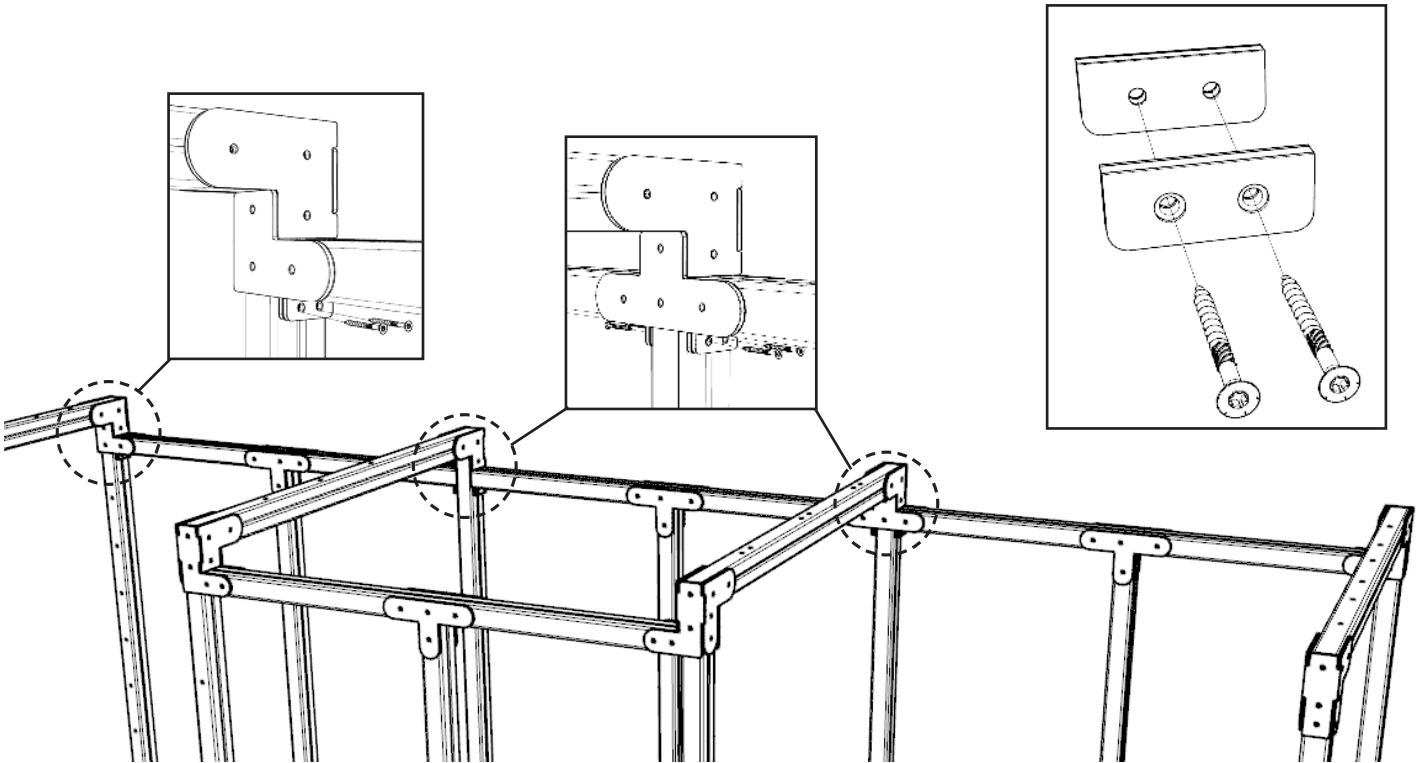


# INSTALLATION INSTRUCTIONS

**13**

## ATTACH PLAYTEC - UNDER BRACKETS

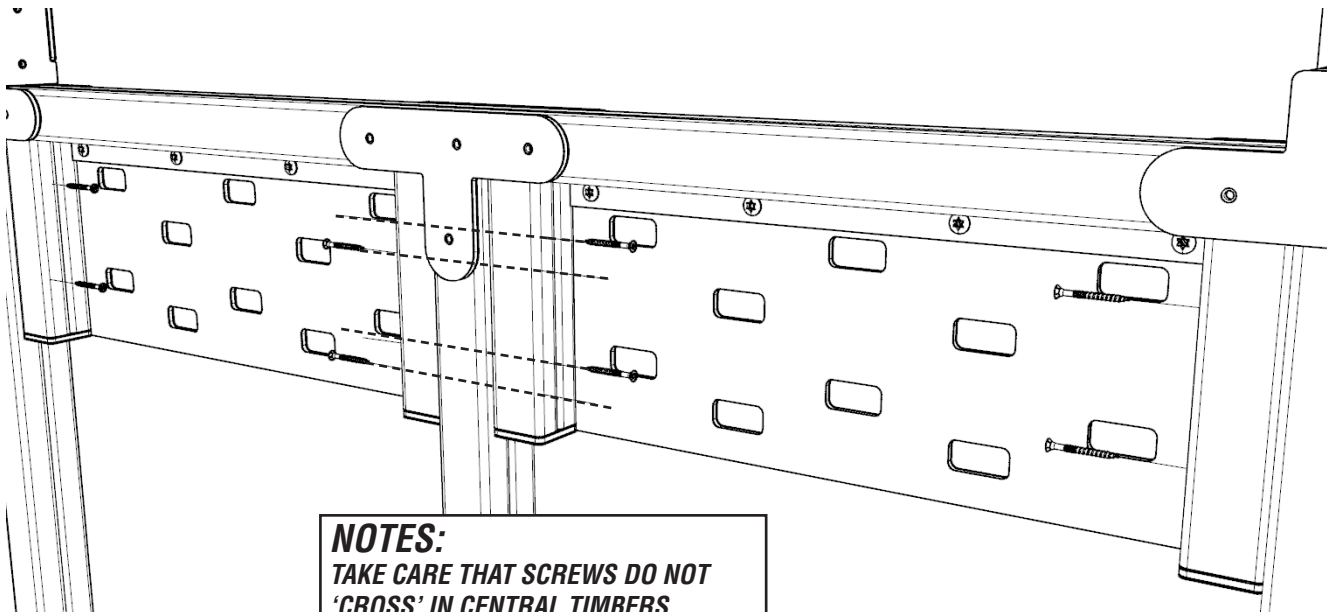
USING 8X80 WOOD SCREWS, ASSEMBLE UNDERBRACKETS AS SHOWN TO RIGHT



**14**

## ATTACH UPPER PLAYTEC CLIMBING PANELS

USING 8X180 WOOD SCREWS (2 SCREWS PER TIMBER SPACED EQUALLY)



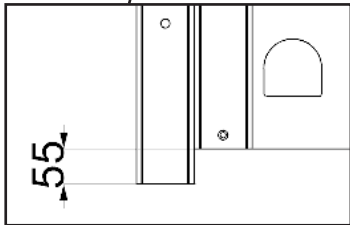
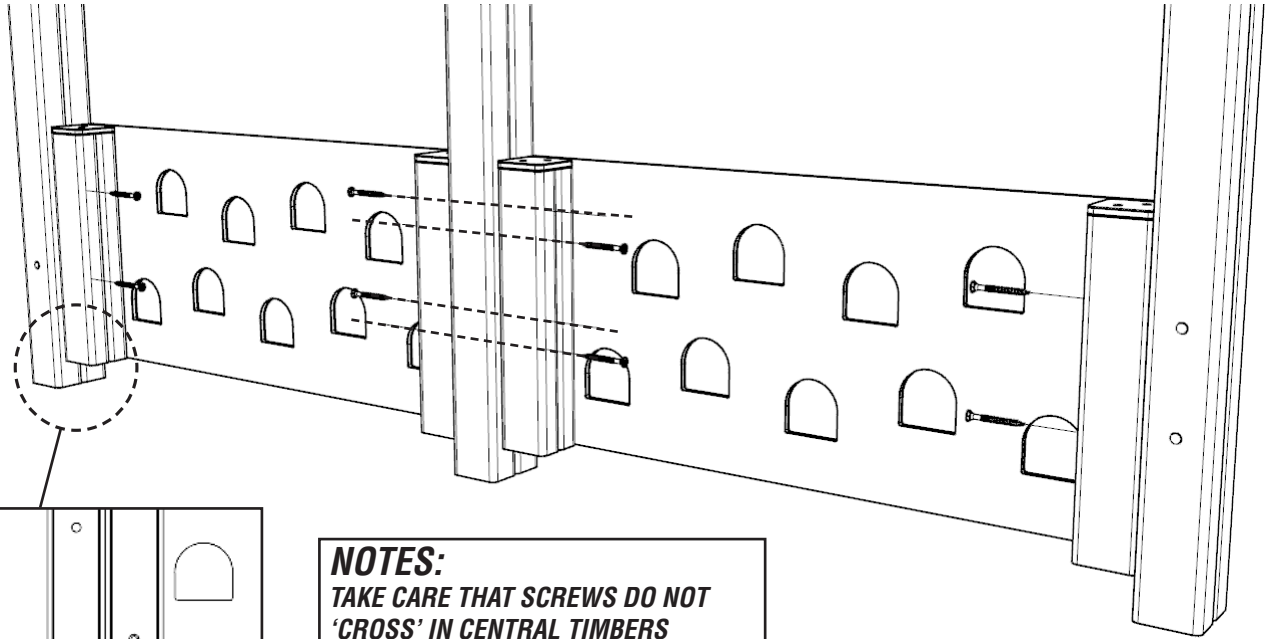
**NOTES:**  
TAKE CARE THAT SCREWS DO NOT  
'CROSS' IN CENTRAL TIMBERS

# INSTALLATION INSTRUCTIONS

**15**

## ATTACH LOWER PLAYTEC CLIMBING PANELS

USING 8X180 WOOD SCREWS (2 SCREWS PER TIMBER SPACED EQUALLY)



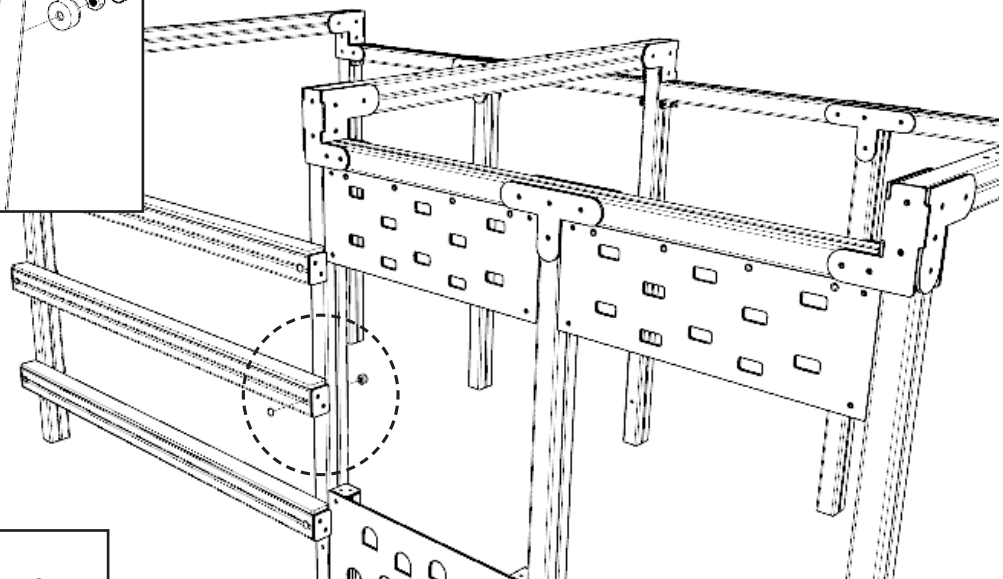
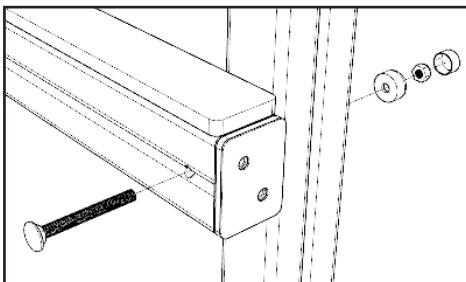
**NOTES:**

TAKE CARE THAT SCREWS DO NOT 'CROSS' IN CENTRAL TIMBERS  
PANELS ARE POSITIONED 55MM FROM GROUND

**16**

## ATTACH LOG CLIMBER TIMBERS Hg

USING 274.M12X230 / 656.M12 / 102003-01



**NOTES:**

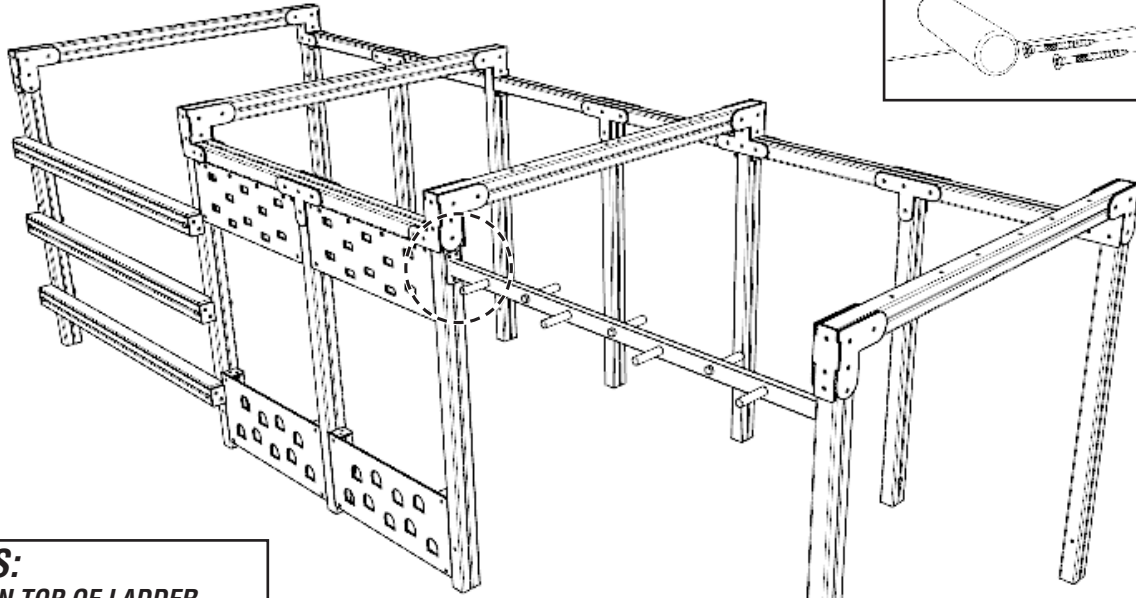
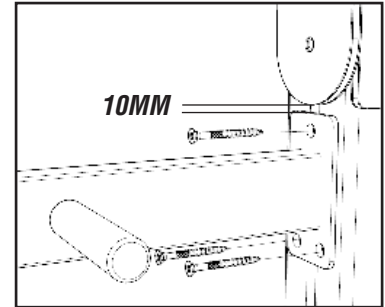
POSITION COVERED ENDS ON INSIDE OF FRAME



# INSTALLATION INSTRUCTIONS

**17**

**ATTACH OVERHEAD LADDER**  
USING 8X80 WOOD SCREWS

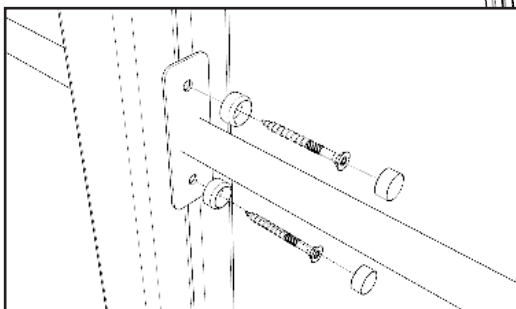
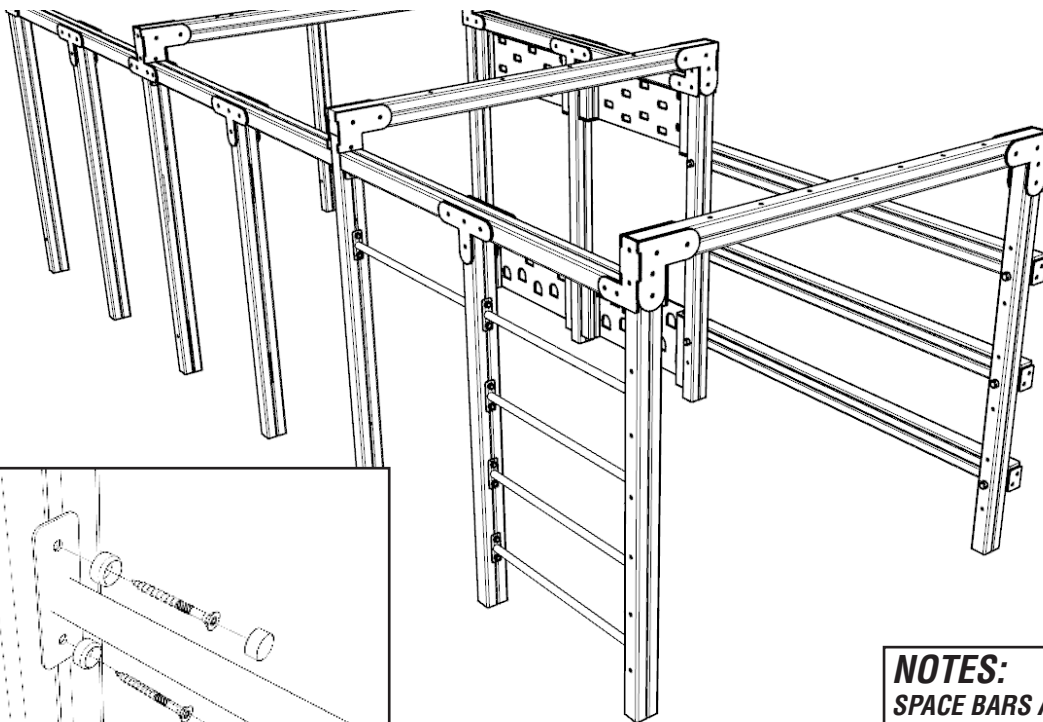


**NOTES:**

POSITION TOP OF LADDER  
FIXING 10MM FROM BRACKET

**18**

**ATTACH STANDARD BARS**  
USING 8X80 WOOD SCREWS/ 102003-01



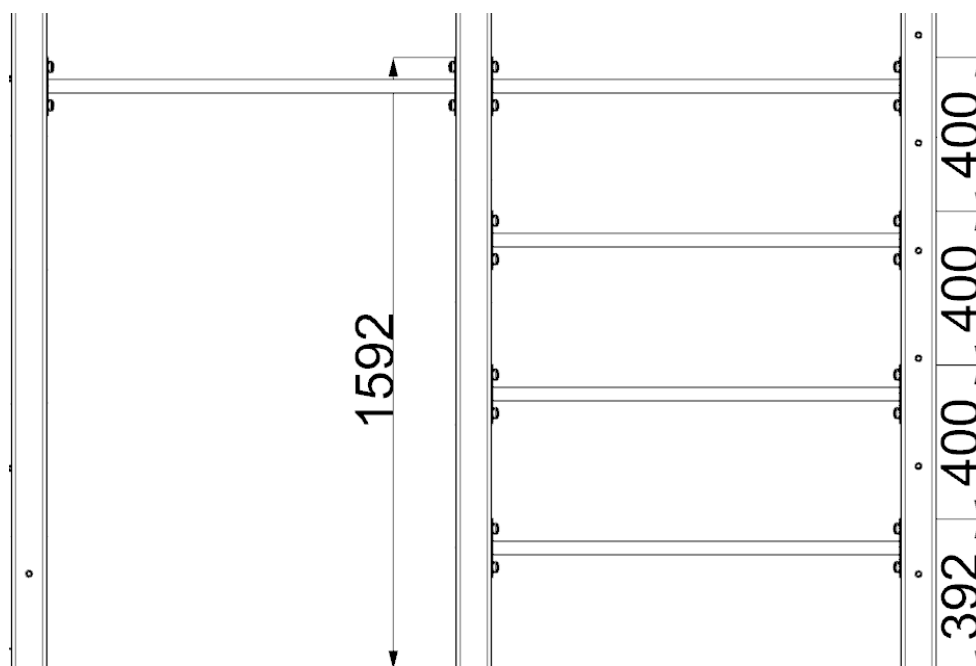
**NOTES:**

SPACE BARS ACCORDING TO  
DIMENSIONS (SEE NEXT STEP)

# INSTALLATION INSTRUCTIONS

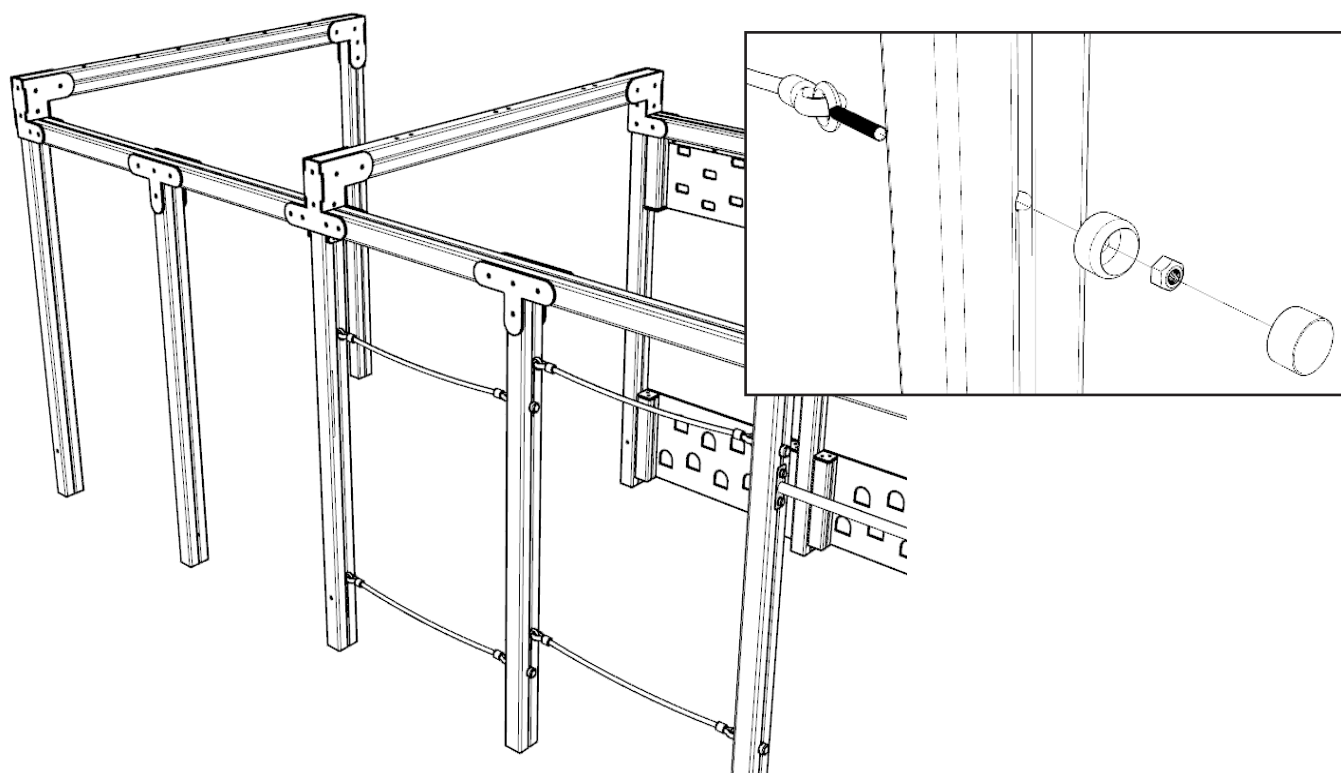
**19**

**PLEASE ENSURE  
SPACING BETWEEN BARS IS AS SHOWN BELOW**



**20**

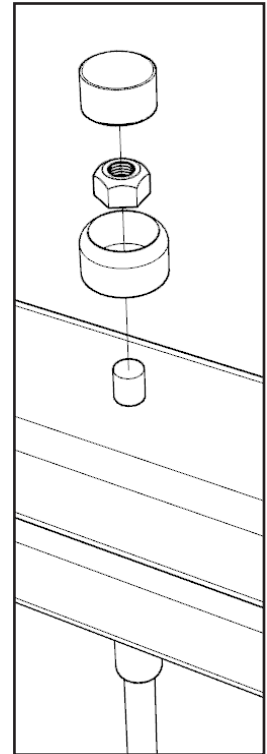
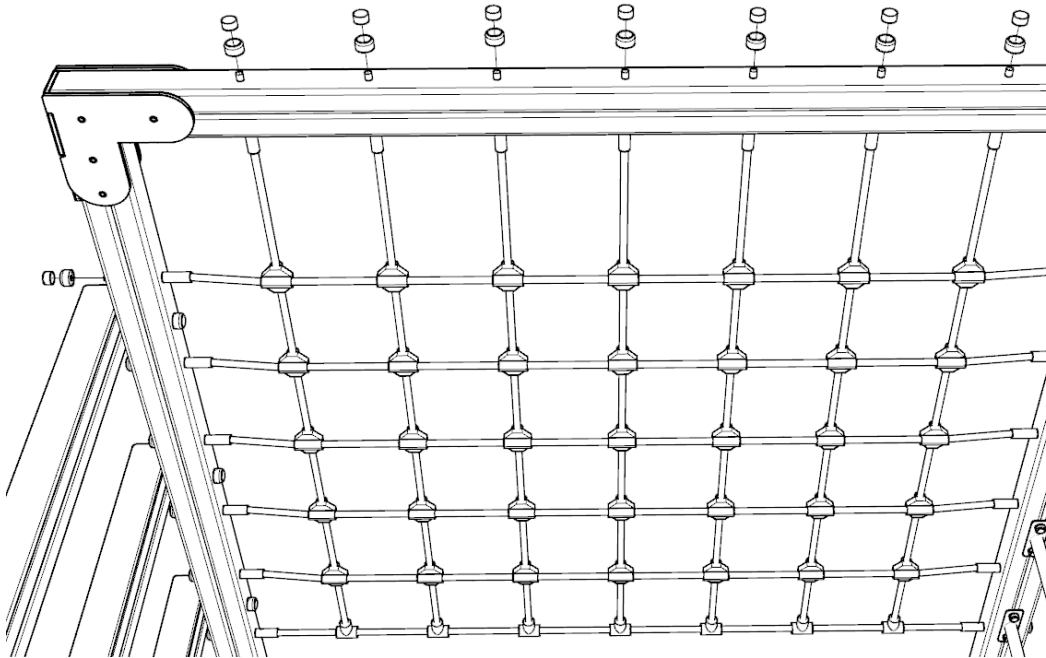
**ATTACH INDIVIDUAL ROPES  
USING 656.M10 / 102003-01**



# INSTALLATION INSTRUCTIONS

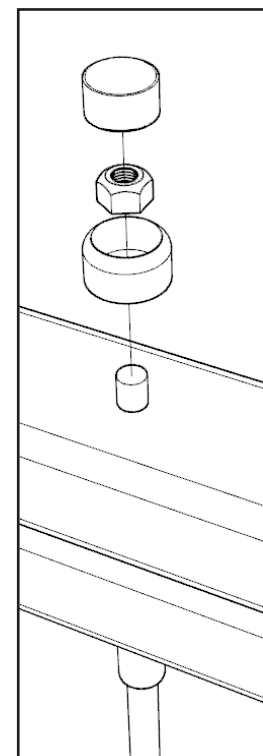
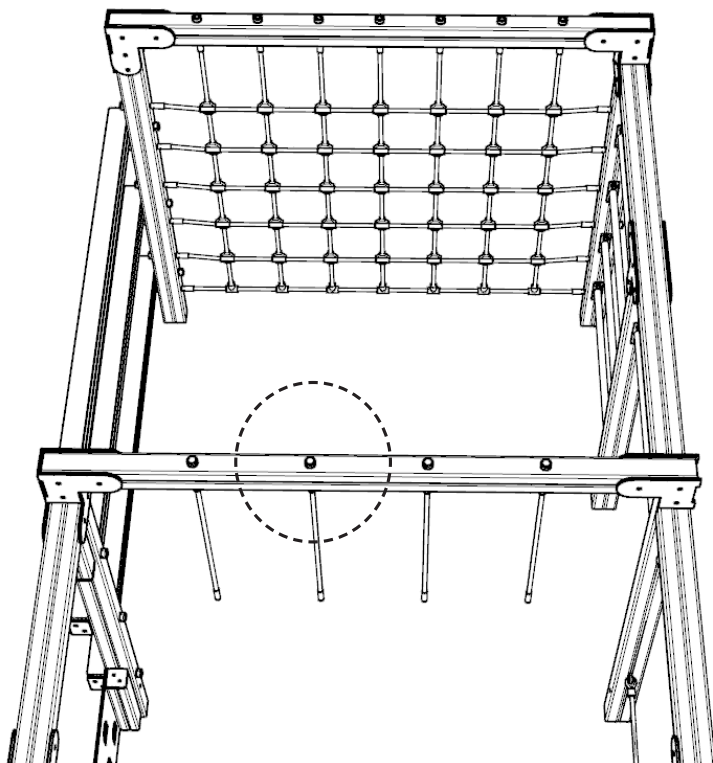
**21**

**ATTACH CARGO NET**  
USING 656.M12 / 102003-01



**22**

**ATTACH SWINGING ROPES**  
USING 656.M12 / 102003-01

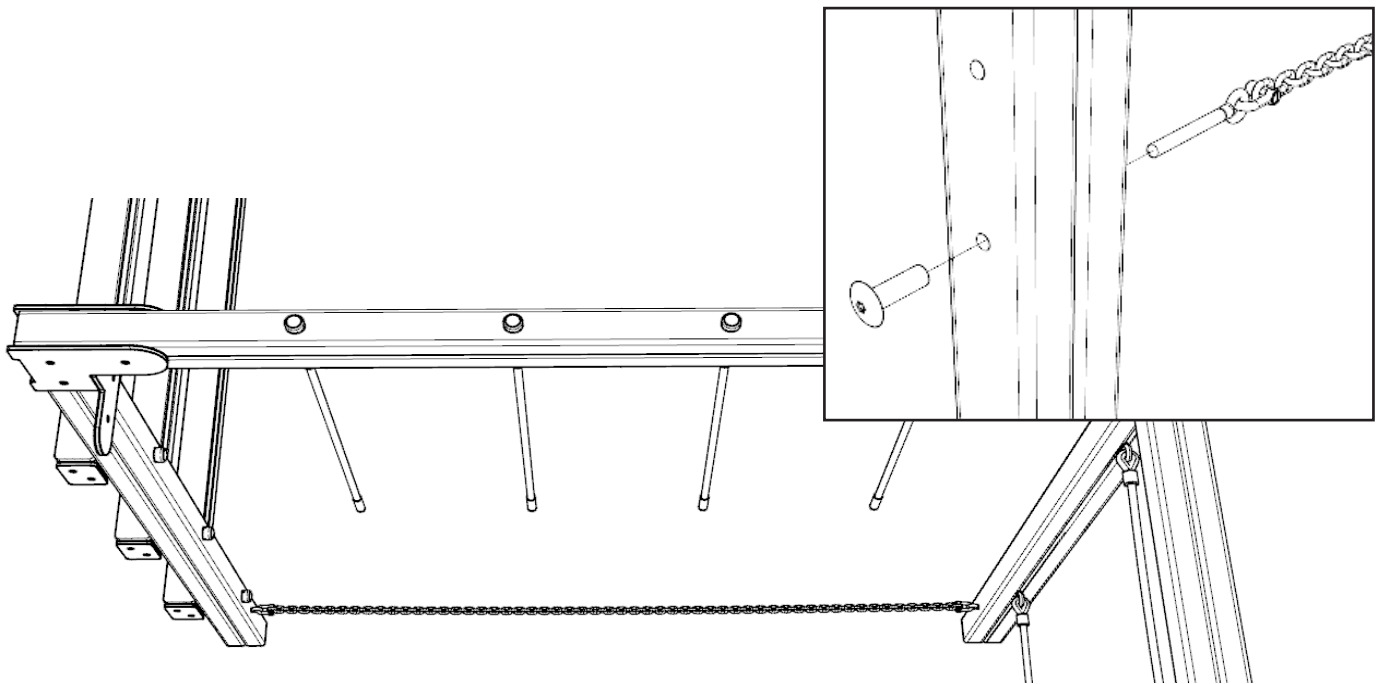


# INSTALLATION INSTRUCTIONS

**23**

## ATTACH SWINGING ROPE CHAIN

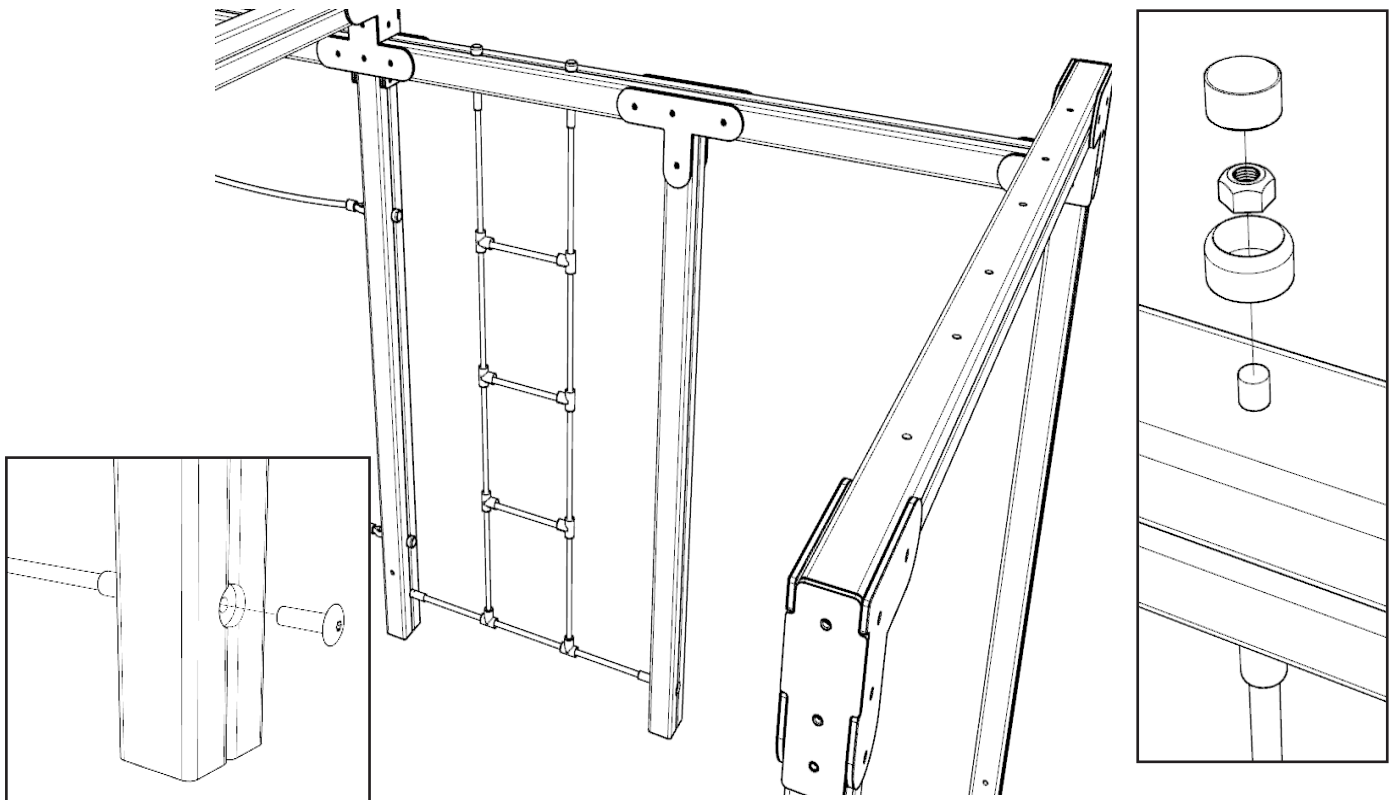
USING M12 X 50MM SOCKET NUT, D - SHACKLE AND EYEBOLT SHOULD BE PRE-ATTACHED TO CHAIN



**24**

## ATTACH SINGLE ROPE LADDER

USING 656.M12 / 102003-01 & M12 X 50MM SOCKET NUT

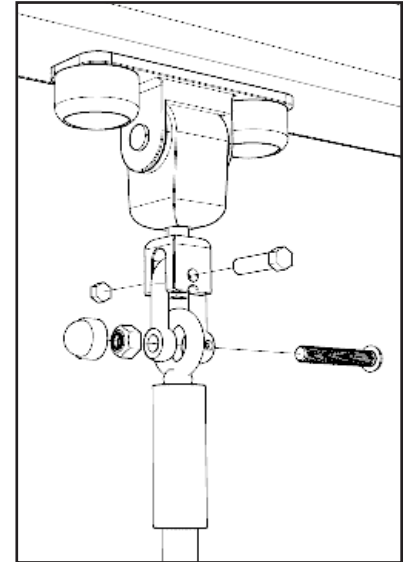
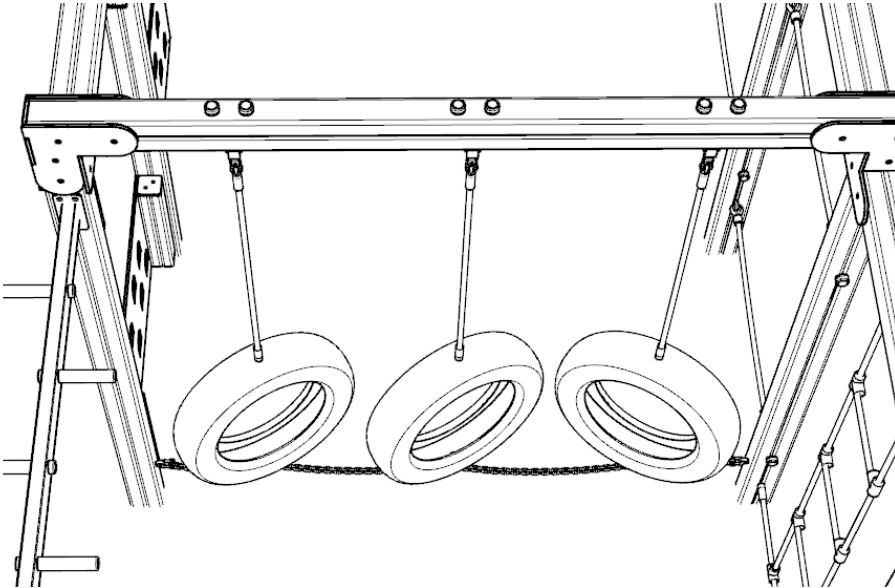


# INSTALLATION INSTRUCTIONS

**25**

## ATTACH TYRES

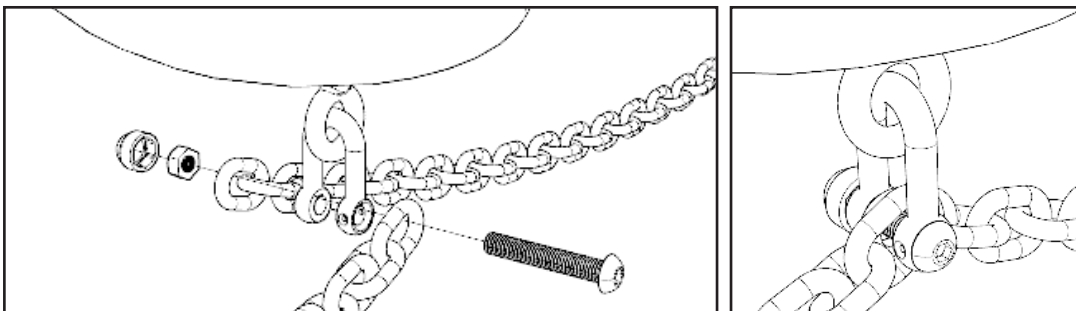
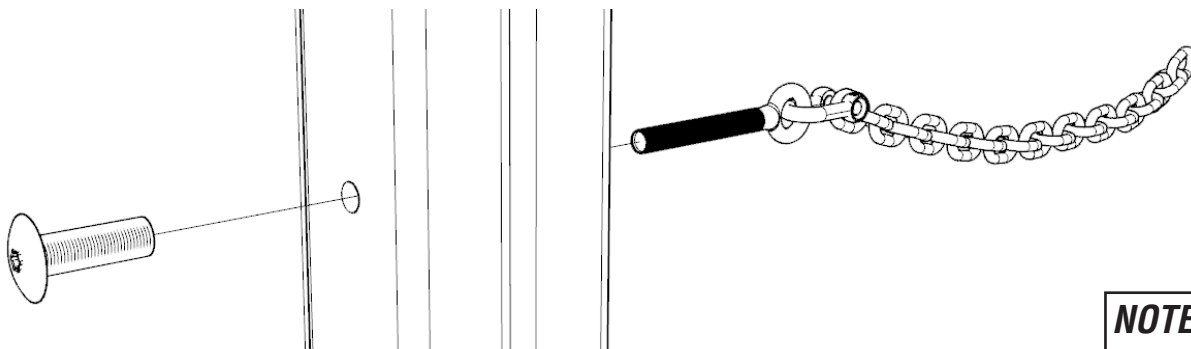
USING D - SHACKLE SETS AS SHOWN



**26**

## ATTACH TYRE CHAINS

USING M12 X 50MM SOCKET NUT ON EYEBOLT CHAINS & D- SHACKLE SETS ON MIDDLE CHAINS



### NOTES:

REPEAT EYEBOLT CHAIN ON BOTH SIDES

ATTACH MIDDLE CHAINS TO TYRES AS SHOWN

ENSURE CHAIN IS POSITION ON INSIDE OF D - RING

REMOVE LINKS IF NECESSARY

# INSTALLATION INSTRUCTIONS

**27**

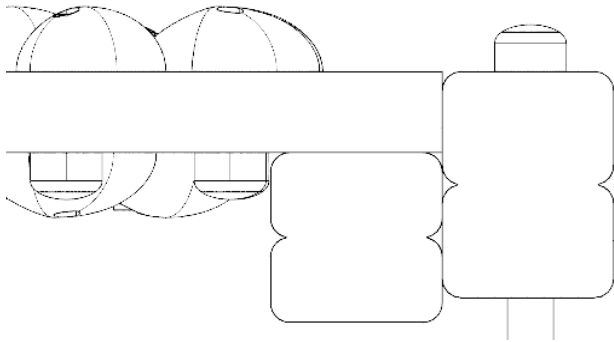
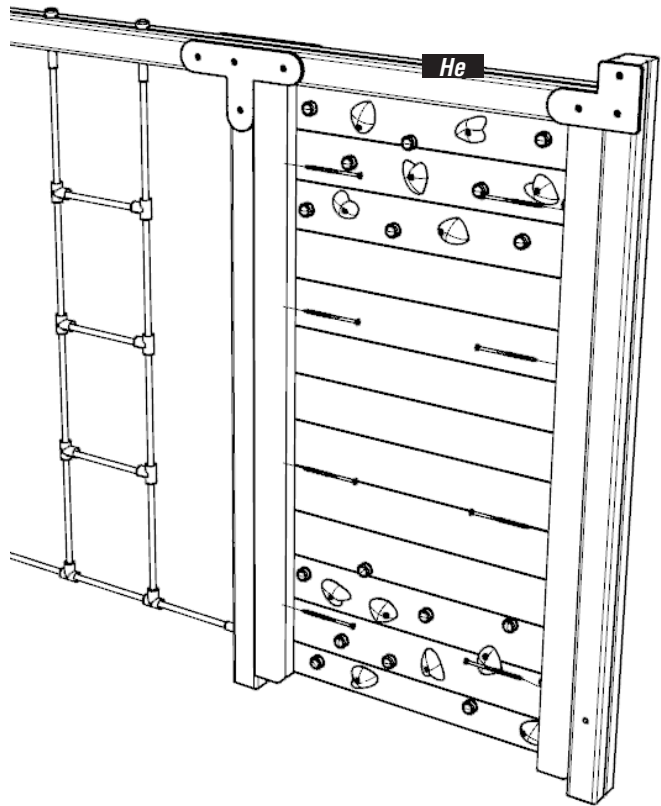
## ATTACH TIMBER CLIMBING WALL

USING 8X180 WOOD SCREWS SPACED EQUALLY AS SHOWN

### NOTES:

ENSURE OUTER WALL IS FLUSH WITH OUTER TIMBER

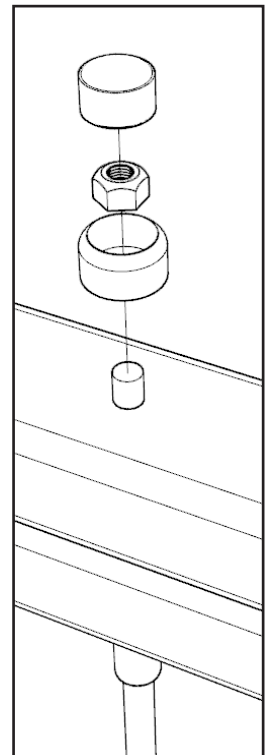
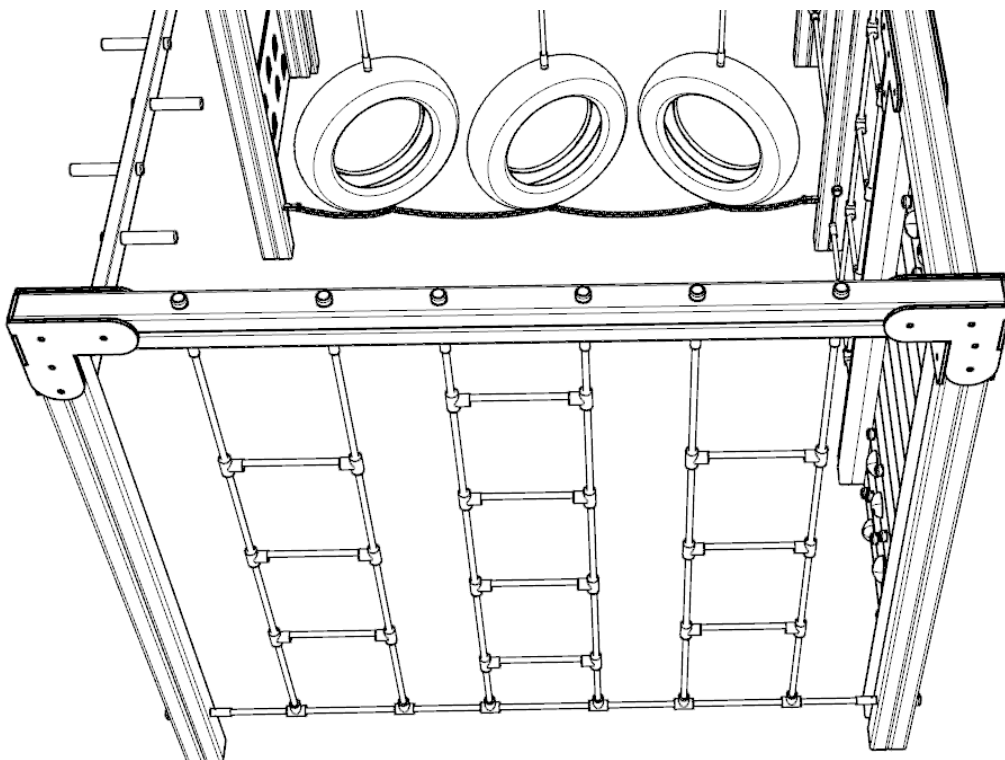
BUTT WALL TO TOP OF HORIZONTAL TIMBER



**26**

## ATTACH TRIPLE LADDERS

USING 656.M12 / 102003-01



# ***ADDITIONAL DIMENSIONS***

---

