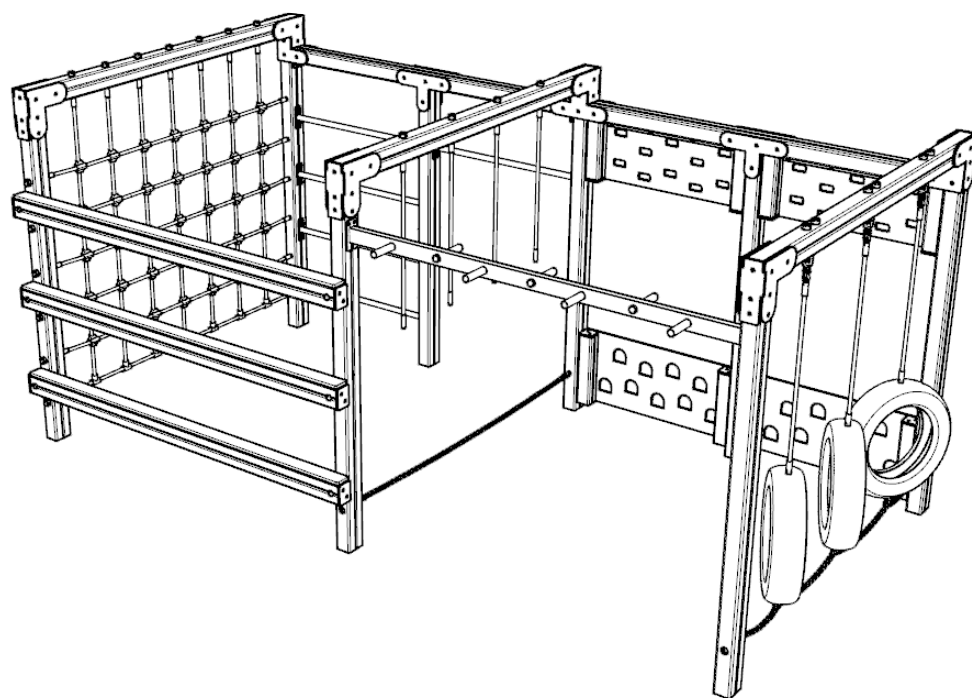
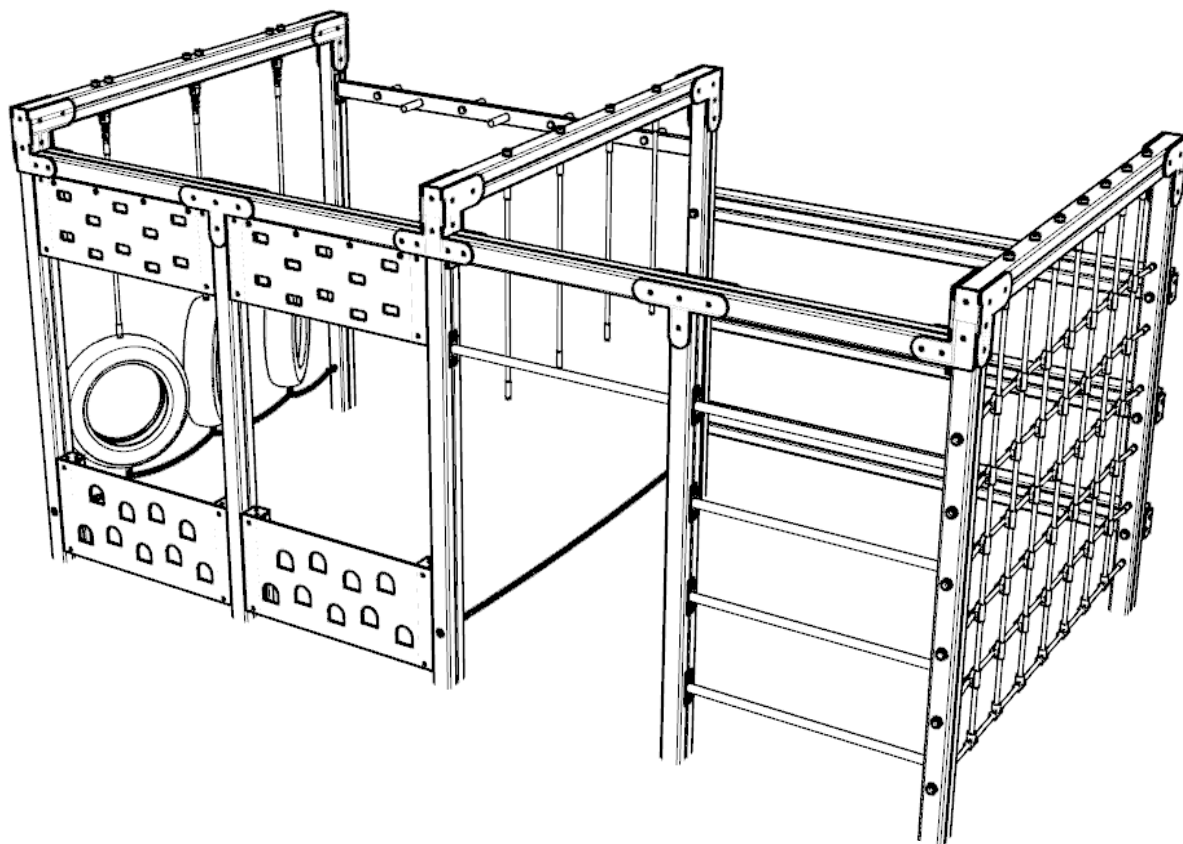


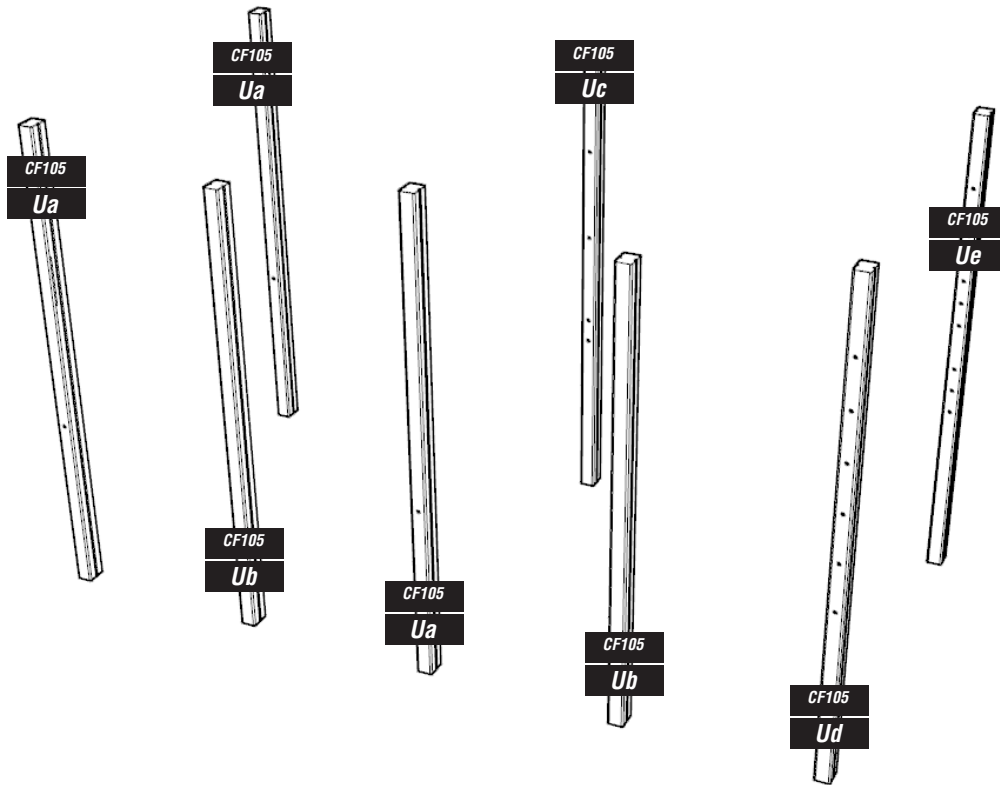
# **CF105 - RIBBLE CLIMBING**

## **FRAME: Installation Instructions**

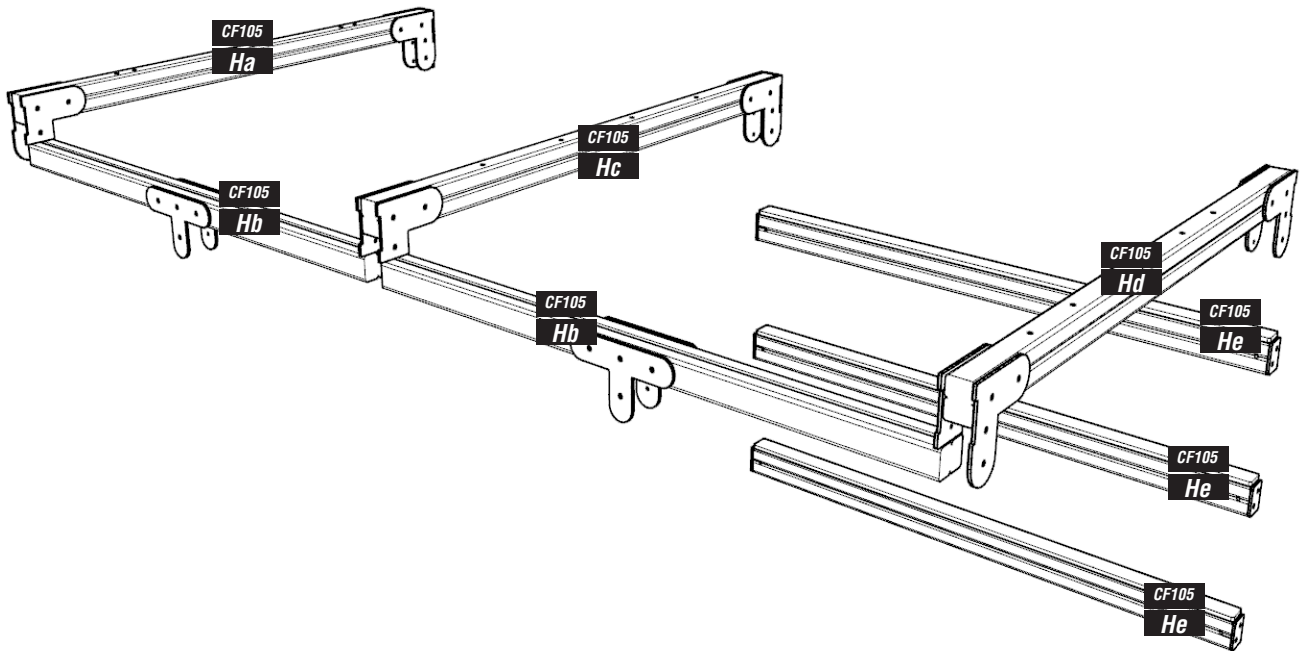
**creative  
play**



# PARTS REQUIRED



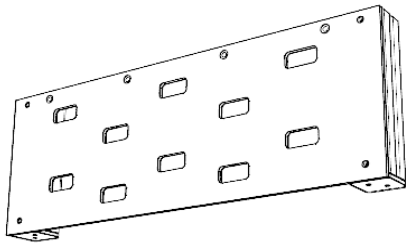
## UPRIGHT TIMBERS



\*PLEASE NOTE CF105Ha INCLUDES THE SWING HANGERS  
ALL H TIMBERS ARE PRE-ASSEMBLED WITH PLAYTEC L's / T's (AS SHOWN ABOVE)

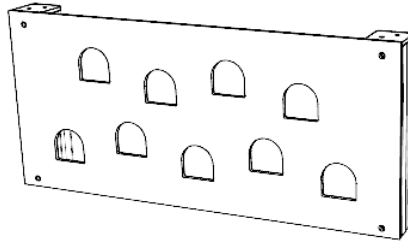
## HORIZONTAL TIMBERS

# PARTS REQUIRED



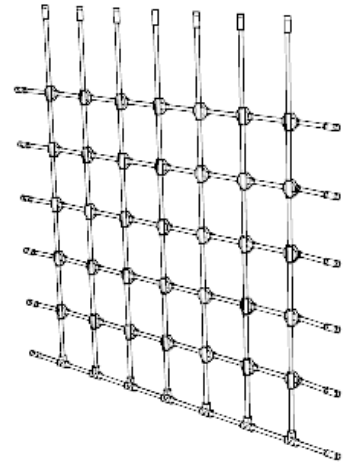
x2

**UPPER TRAVERSE PANEL**



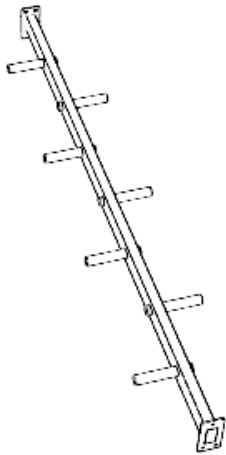
x2

**LOWER TRAVERSE PANEL**



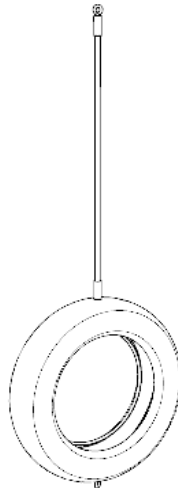
x1

**CARGO NET**



x1

**OVERHEAD LADDER**



x3

**TYRE**



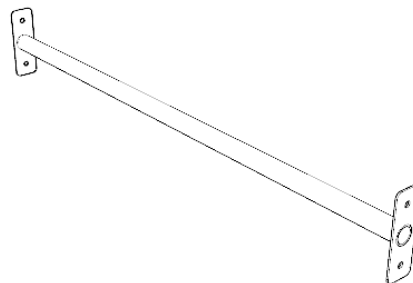
x4

**SWINGING ROPE**



x1

**SWINGING ROPE CHAIN**



x5

**STANDARD BAR (1065MM)**



x2

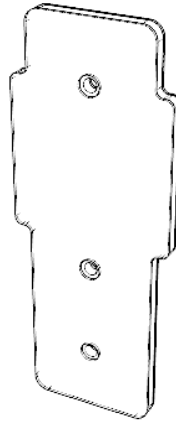
**420MM TYRE CHAIN (EYEBOLT)**

# PARTS REQUIRED



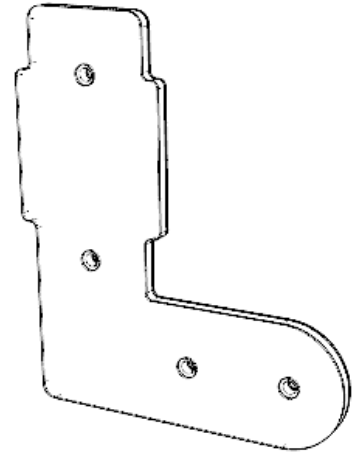
x2

**690MM TYRE CHAIN**



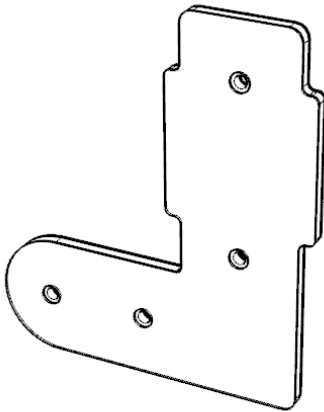
x3

**PLAYTEC - BACK**



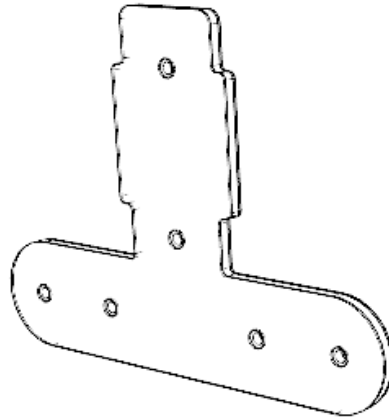
x1

**PLAYTEC L - RIGHT**



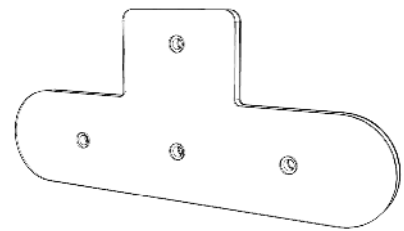
x1

**PLAYTEC L - LEFT**



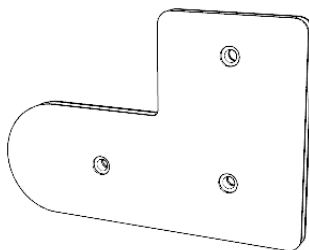
x1

**PLAYTEC - SPECIAL T**



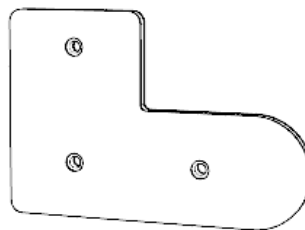
x1

**PLAYTEC - INSIDE T**



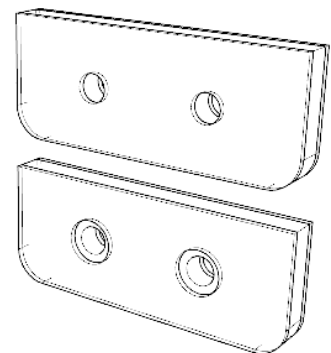
x1

**PLAYTEC - SHORT L (LEFT)**



x1

**PLAYTEC - SHORT L (RIGHT)**



x 2 (PAIRS)

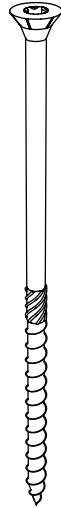
**PLAYTEC - UNDER BRACKETS**

# PARTS REQUIRED



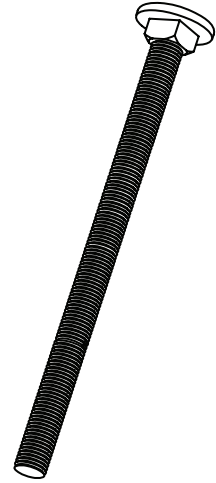
x85

**97.M8X80CSK**



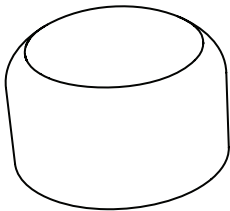
x16

**97.M8X180CSK**



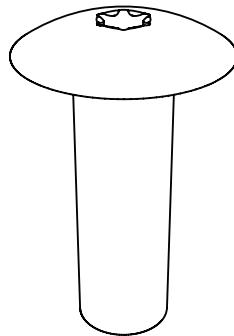
x6

**656.M12x 230**



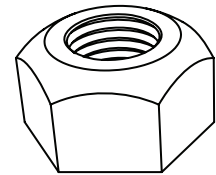
x29

**102003-01 - M12**



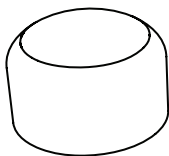
x4

**M12 SOCKET NUT (50MM)**



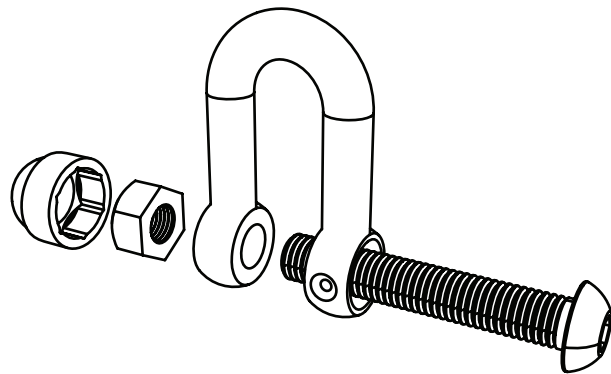
x29

**656.M12**



x20

**102001-0 - M8**

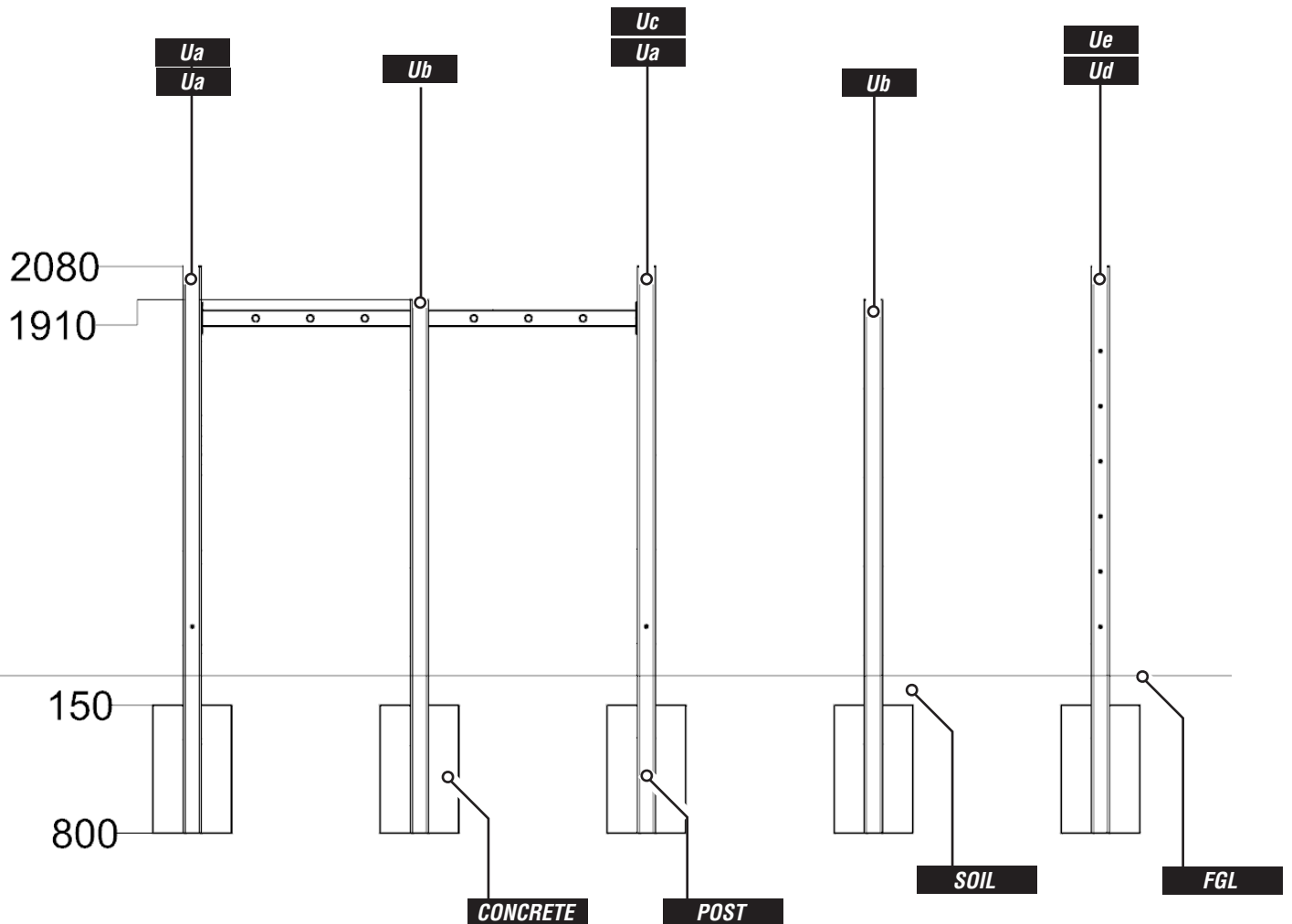
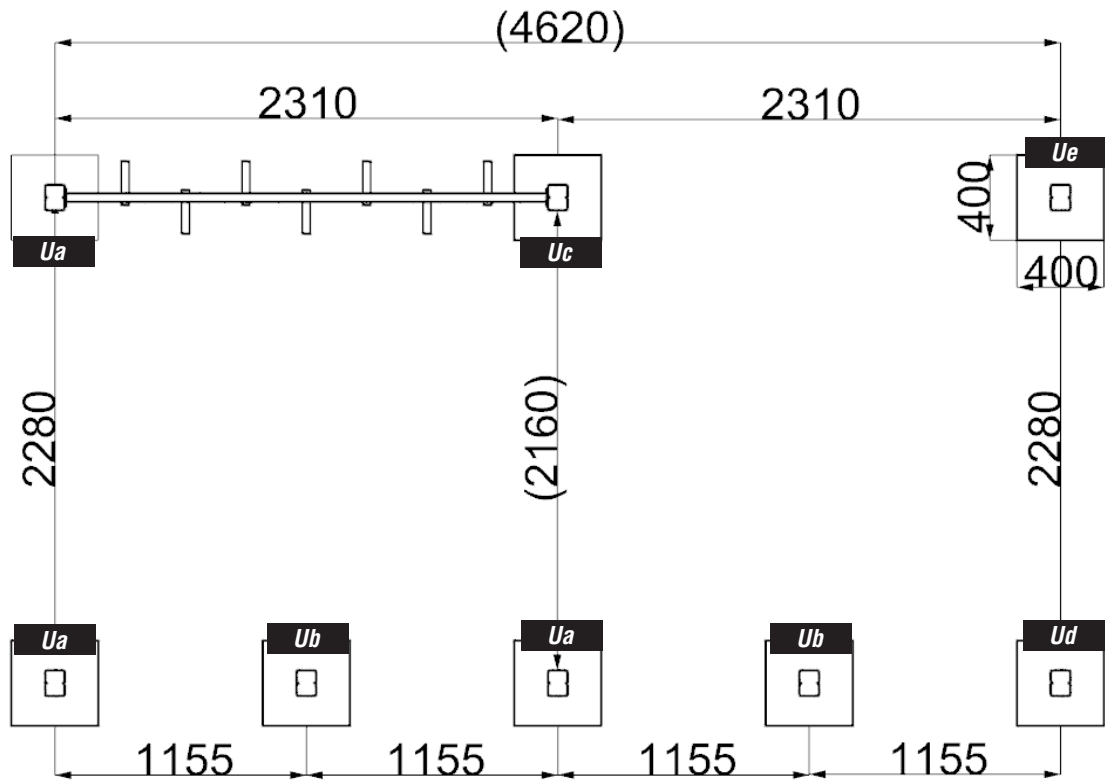


**CONSISTS OF  
SHACKLE / BOLT / NYLOC / CAP**

x4

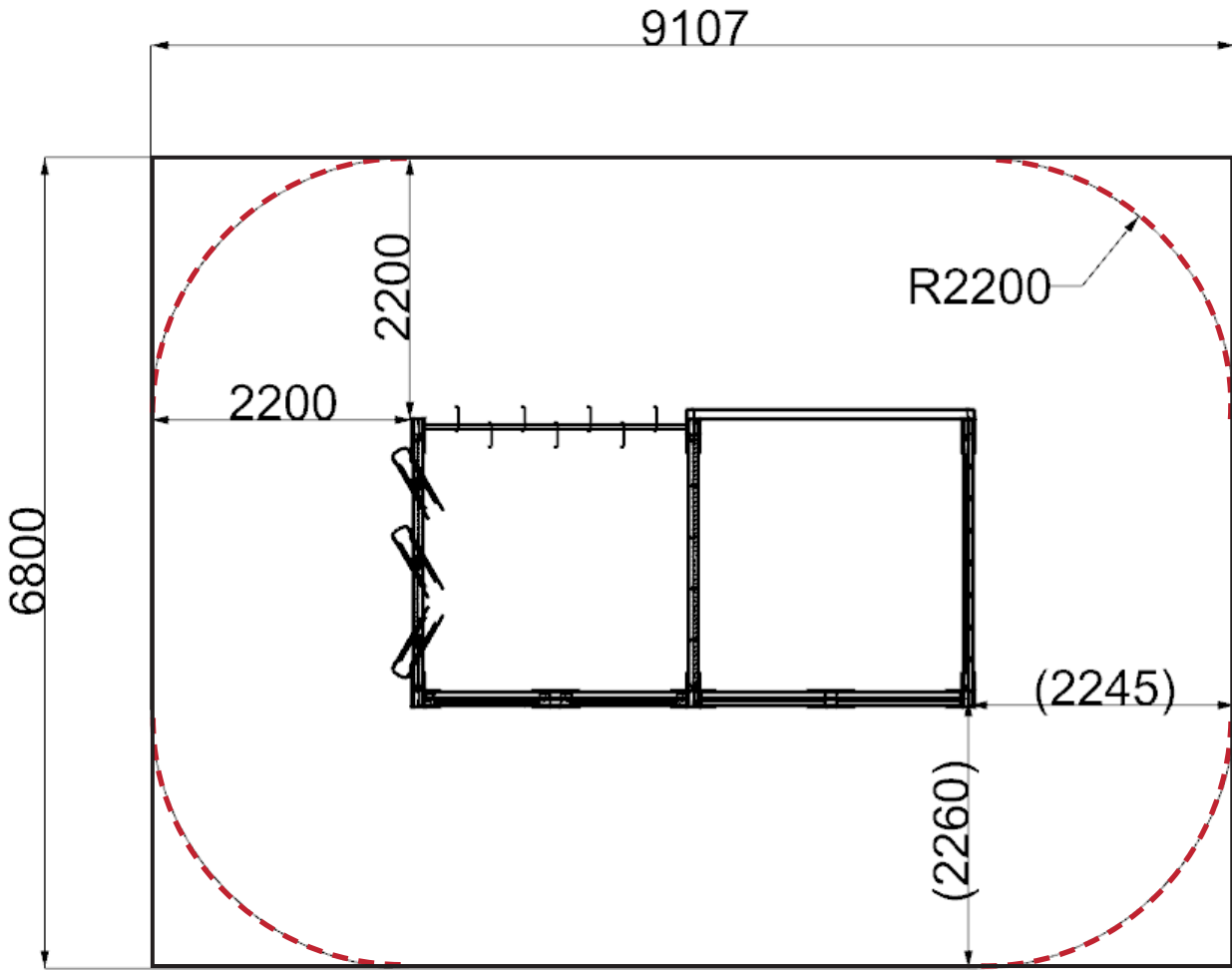
**349.742.D-SHACKLE 'SET'**

# FOUNDATION DETAILS



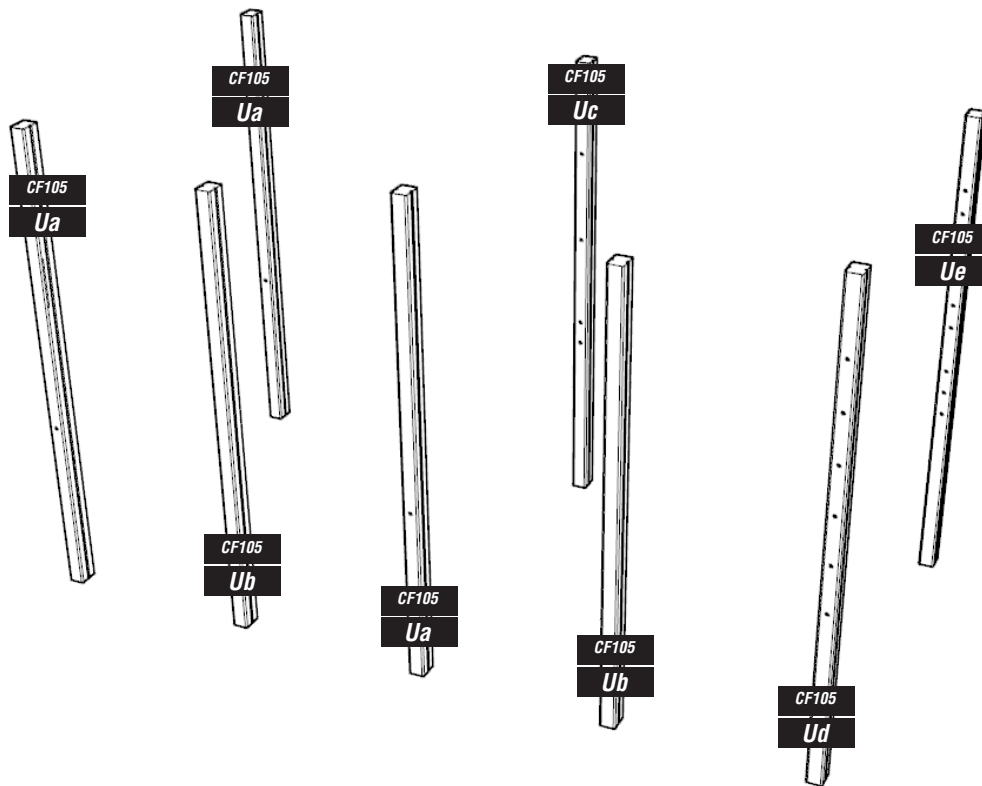
# SURFACING DETAILS

--- = MINIMUM SPACE  
— = OVERALL AREA

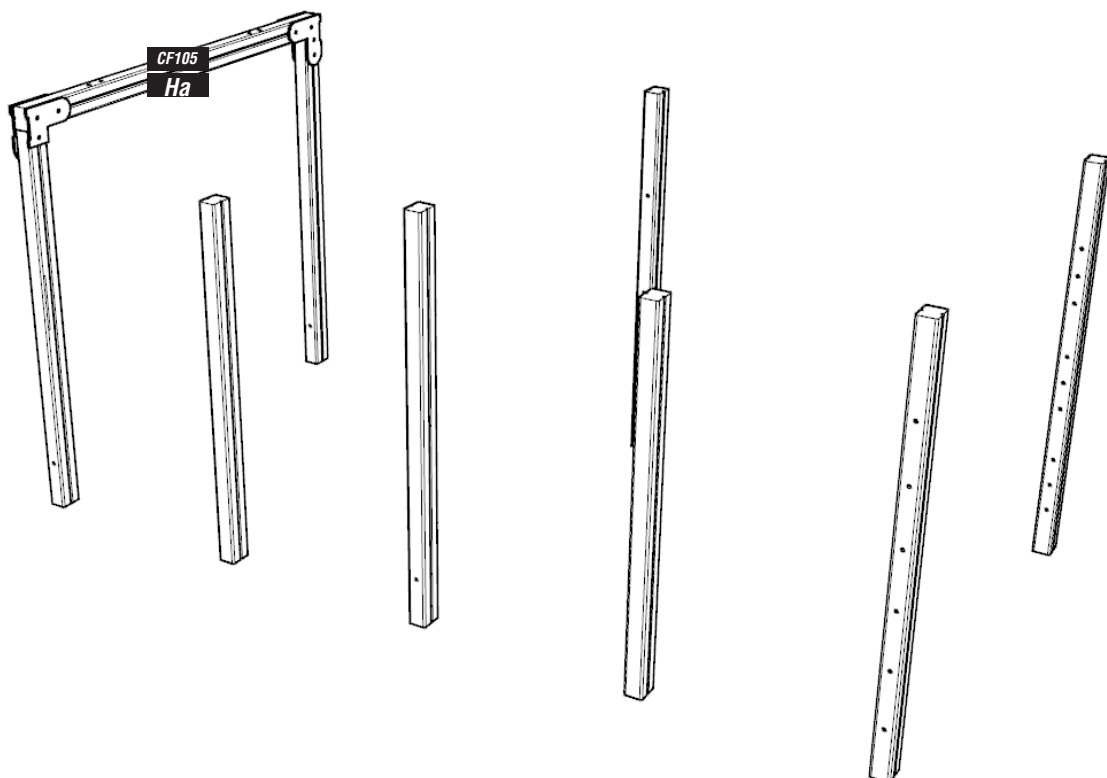


# INSTALLATION INSTRUCTIONS

## 1 POSITION THE UPRIGHT TIMBERS FOLLOWING FOUNDATION DETAILS



## 2 ATTACH TIMBER Ha USING 8X80 WOOD SCREWS



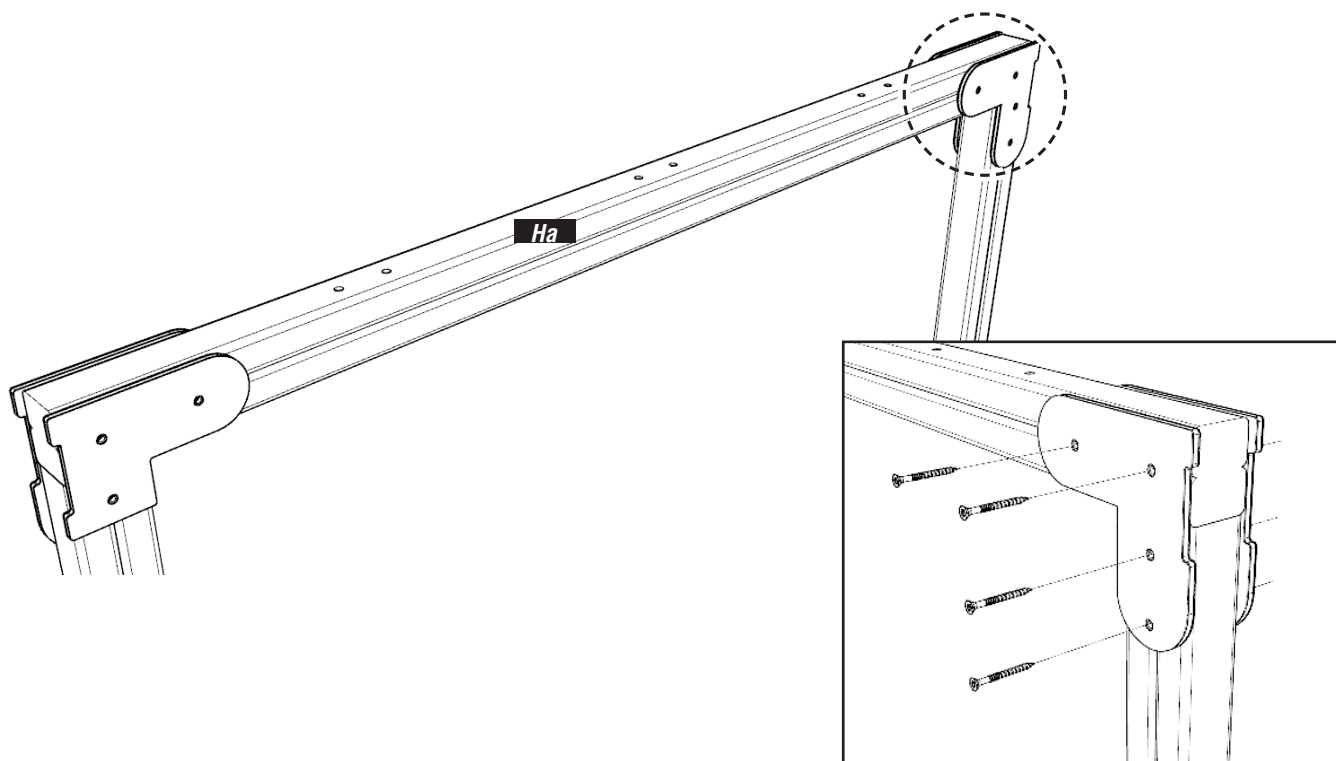


# INSTALLATION INSTRUCTIONS

**3**

**ENSURE BRACKETS ARE POSITIONED AS SHOWN BELOW**

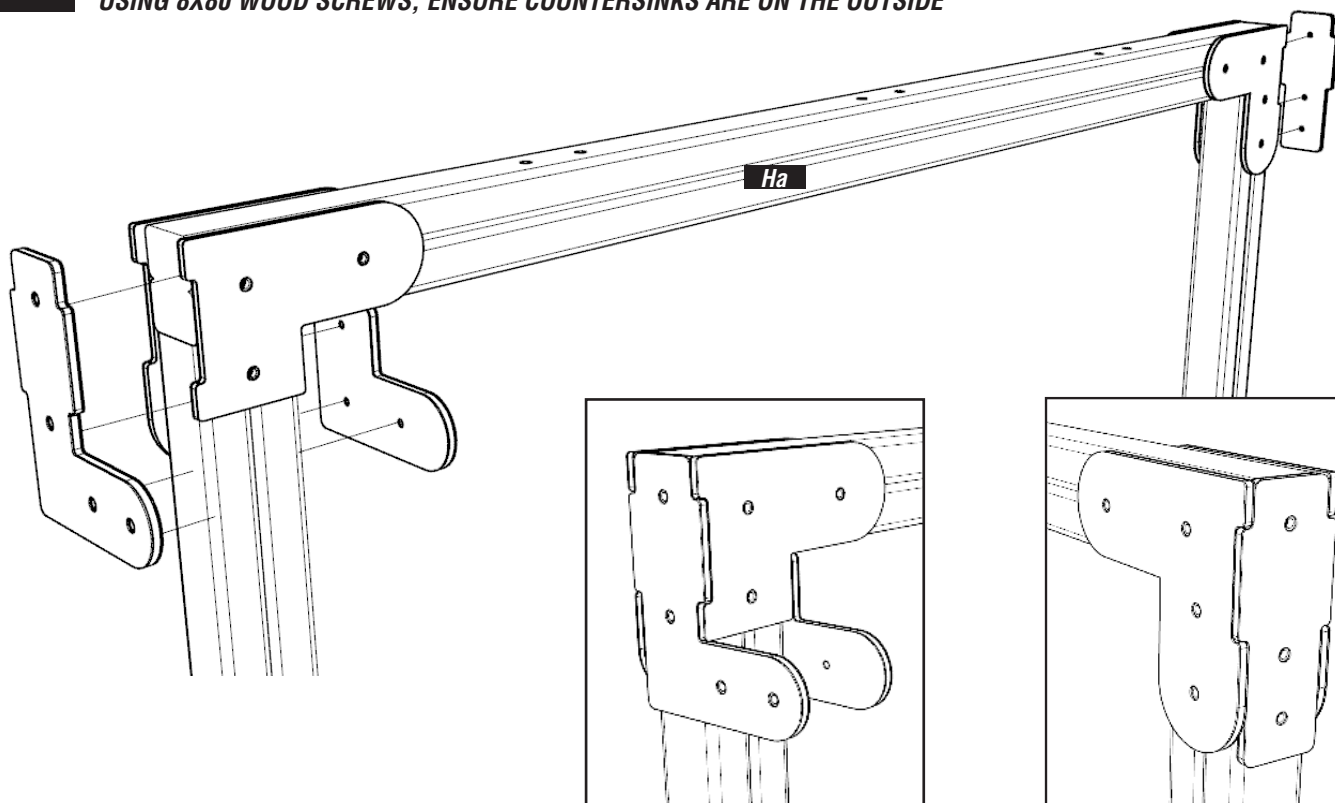
**TAKE CARE THAT SCREWS DO NOT 'CROSS'**



**4**

**ATTACH PLAYTEC - BACK, SHORT L (LEFT) & L (RIGHT)**

**USING 8X80 WOOD SCREWS, ENSURE COUNTERSINKS ARE ON THE OUTSIDE**



# INSTALLATION INSTRUCTIONS

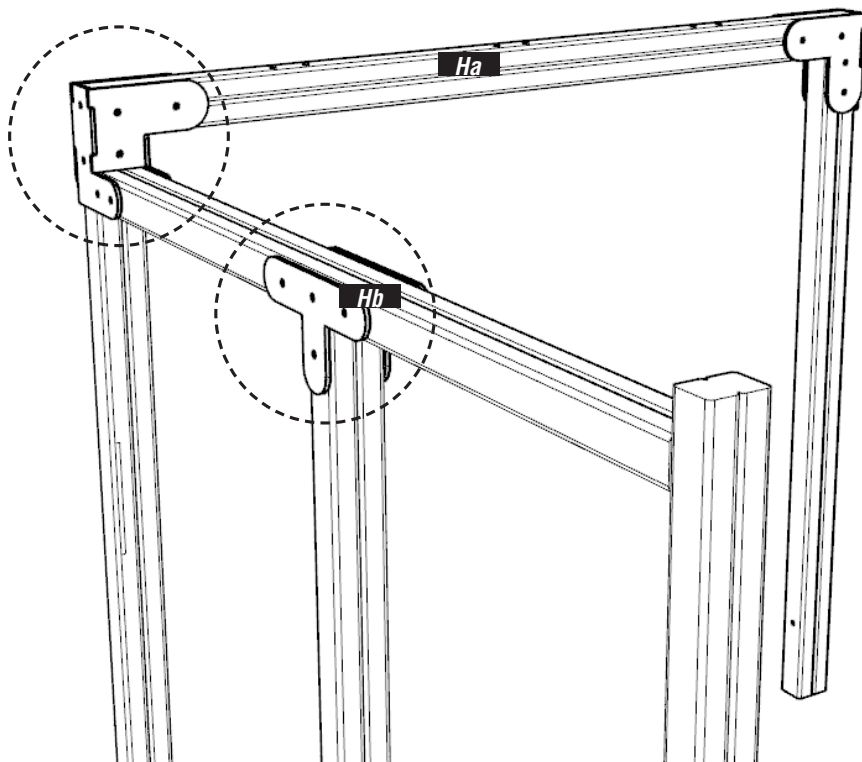
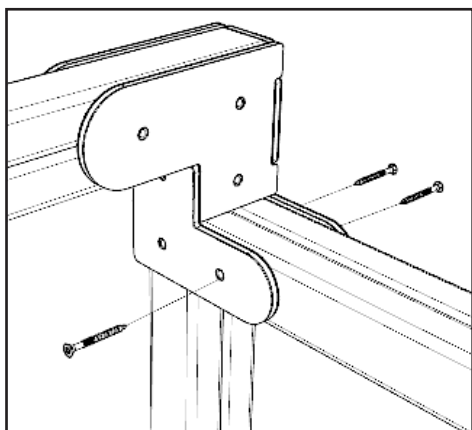
**5**

**ATTACH TIMBER Hb**

USING 8X80 WOOD SCREWS

**NOTES:**

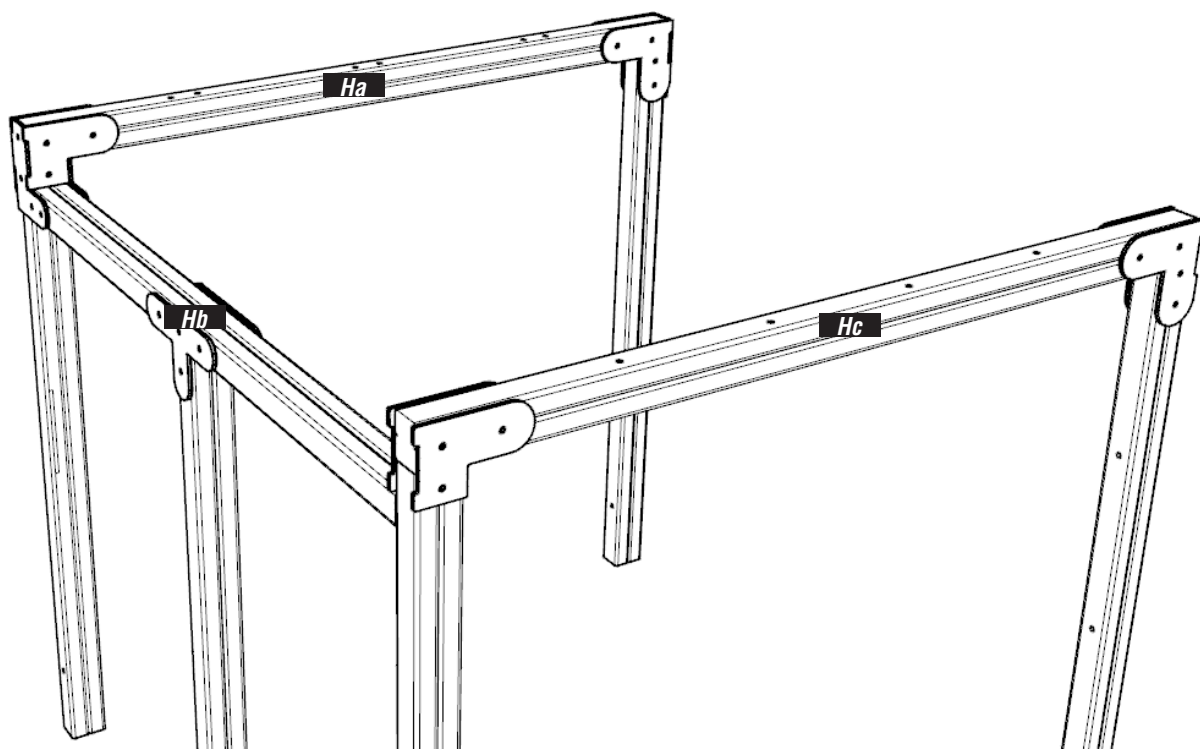
PLEASE ENSURE THE Hb IS FURTHER ATTACHED TO THE Ha PLAYTEC BRACKET



**6**

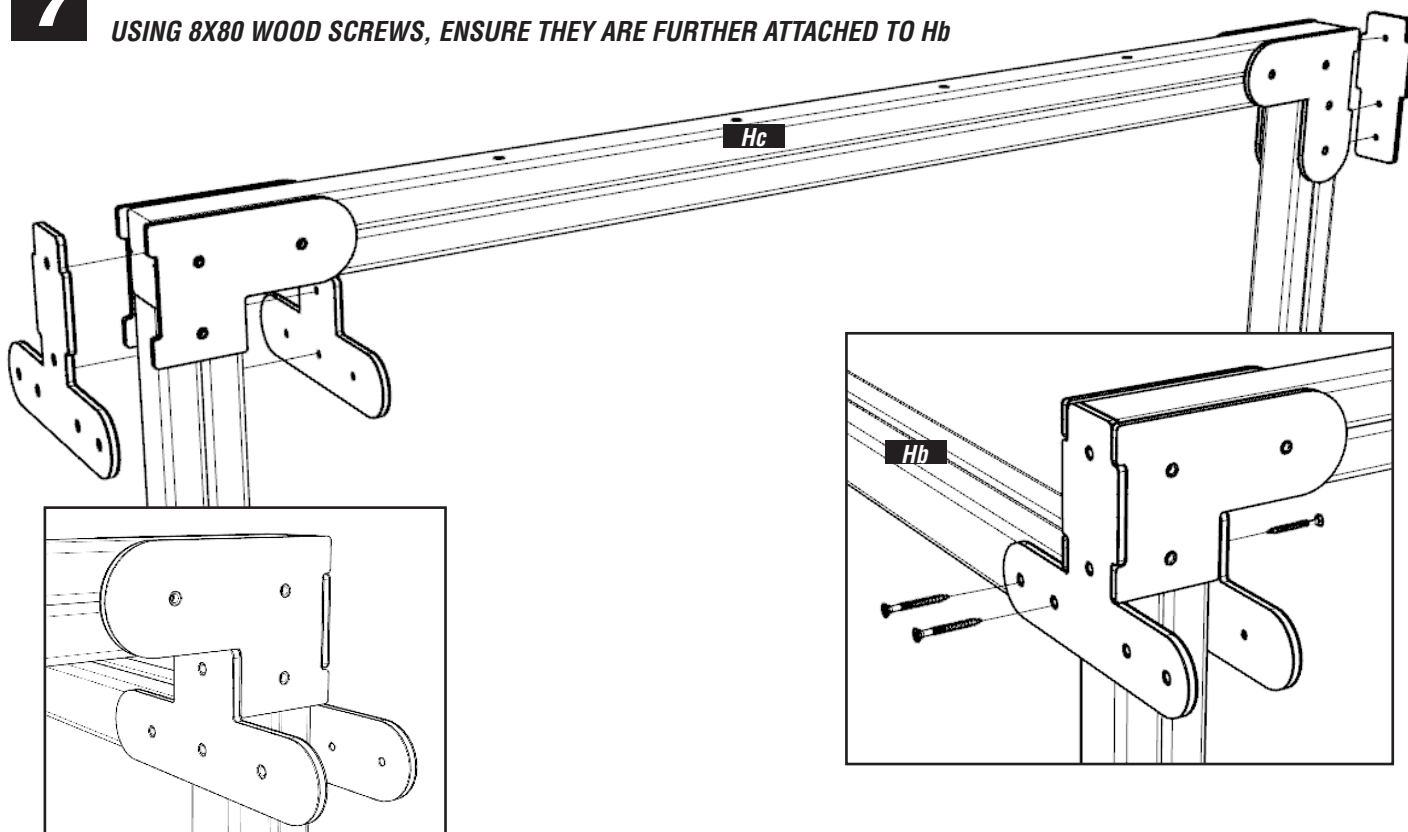
**ATTACH TIMBER Hc**

USING 8X80 WOOD SCREWS

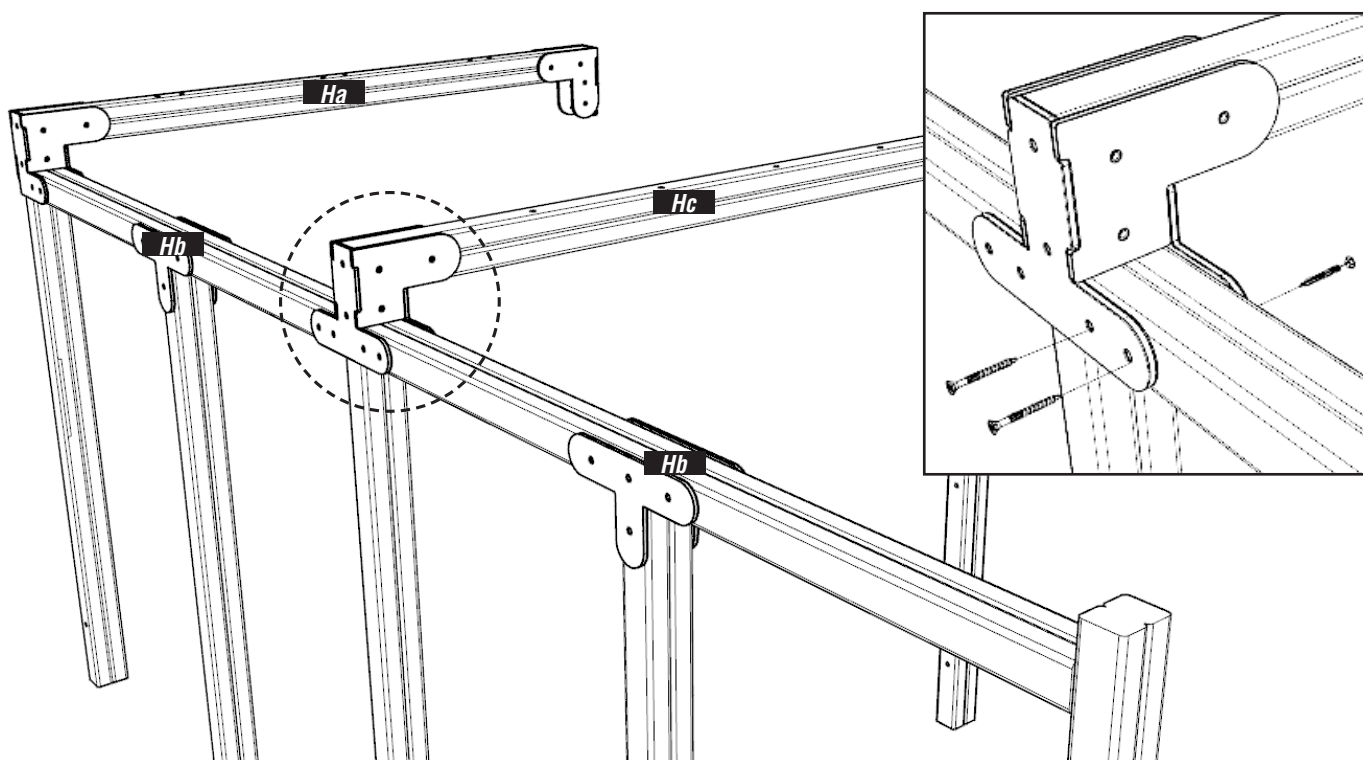


# INSTALLATION INSTRUCTIONS

- 7** ATTACH PLAYTEC - SPECIAL T , INSIDE T & BACK  
USING 8X80 WOOD SCREWS, ENSURE THEY ARE FURTHER ATTACHED TO H<sub>b</sub>



- 8** ATTACH SECOND H<sub>b</sub> TIMBER  
USING 8X80 WOOD SCREWS, ENSURE IT IS FURTHER ATTACHED TO THE H<sub>c</sub> SPECIAL T BRACKET AS SHOWN

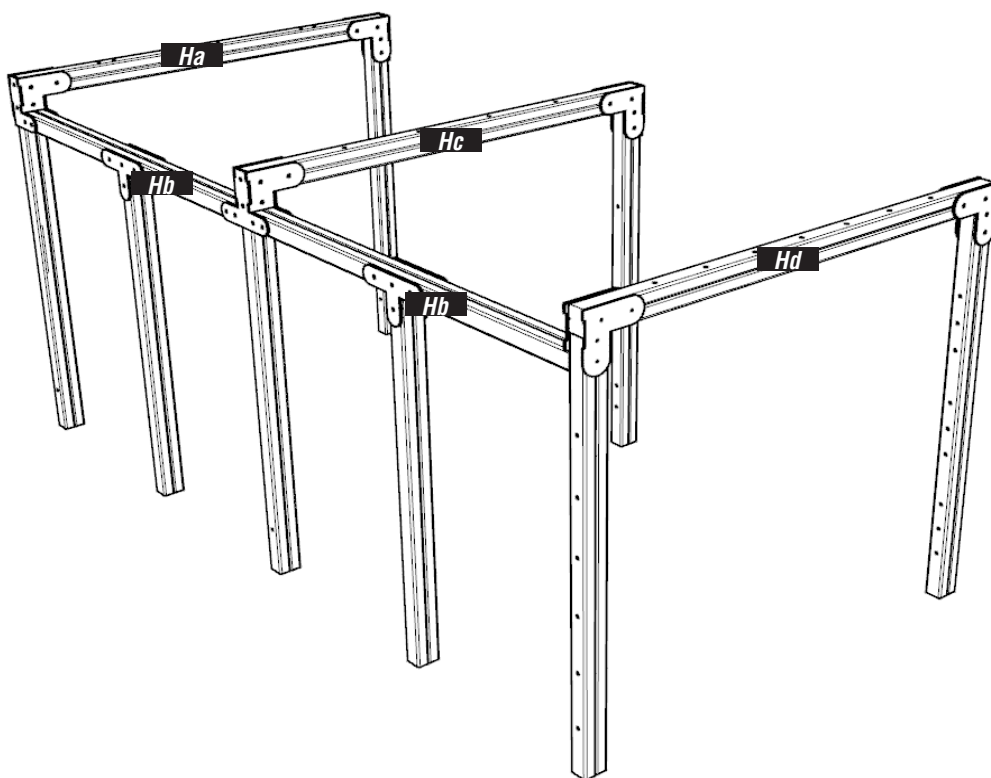


# INSTALLATION INSTRUCTIONS

**9**

**ATTACH TIMBER Hd**

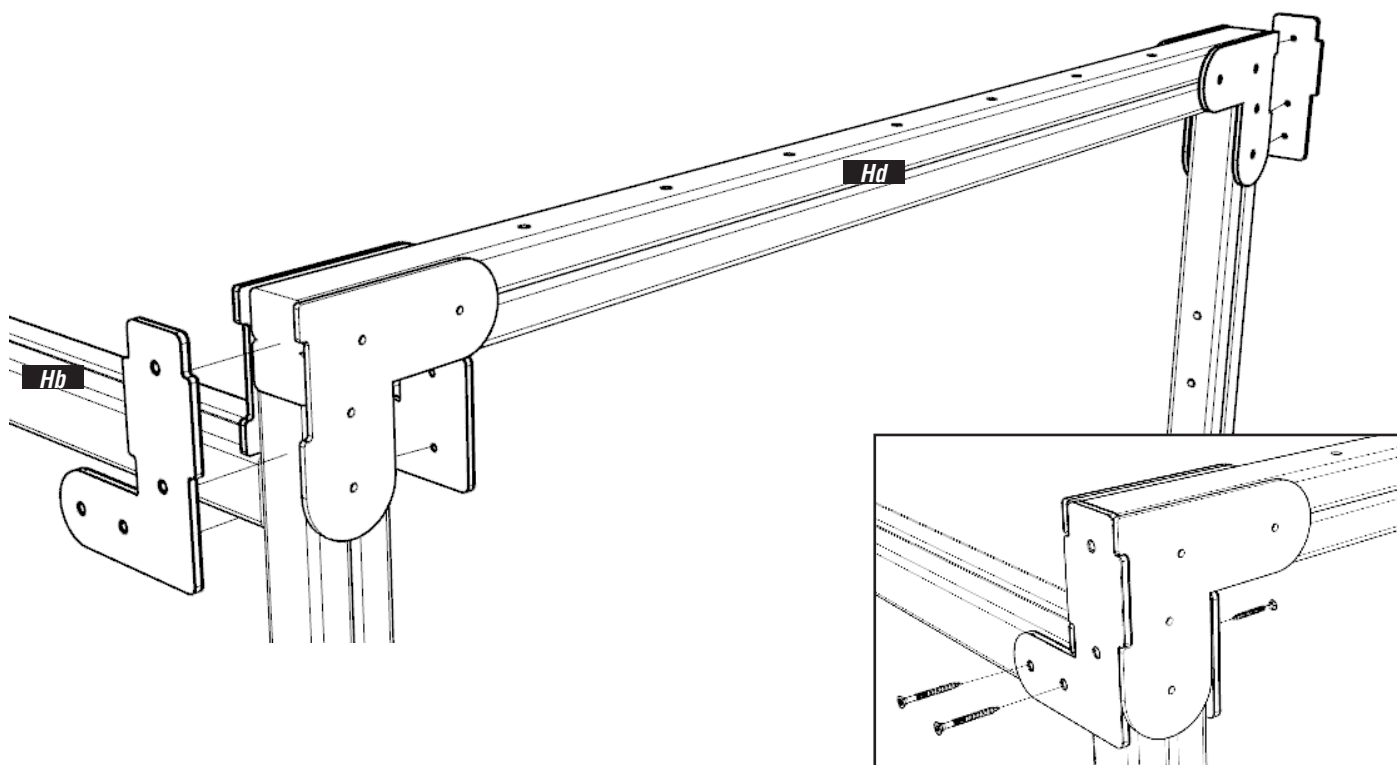
USING 8X80 WOOD SCREWS



**10**

**ATTACH PLAYTEC - L (LEFT), SHORT L (RIGHT) & BACK**

USING 8X80 WOOD SCREWS, ENSURE THEY ARE FURTHER ATTACHED TO Hb AS SHOWN

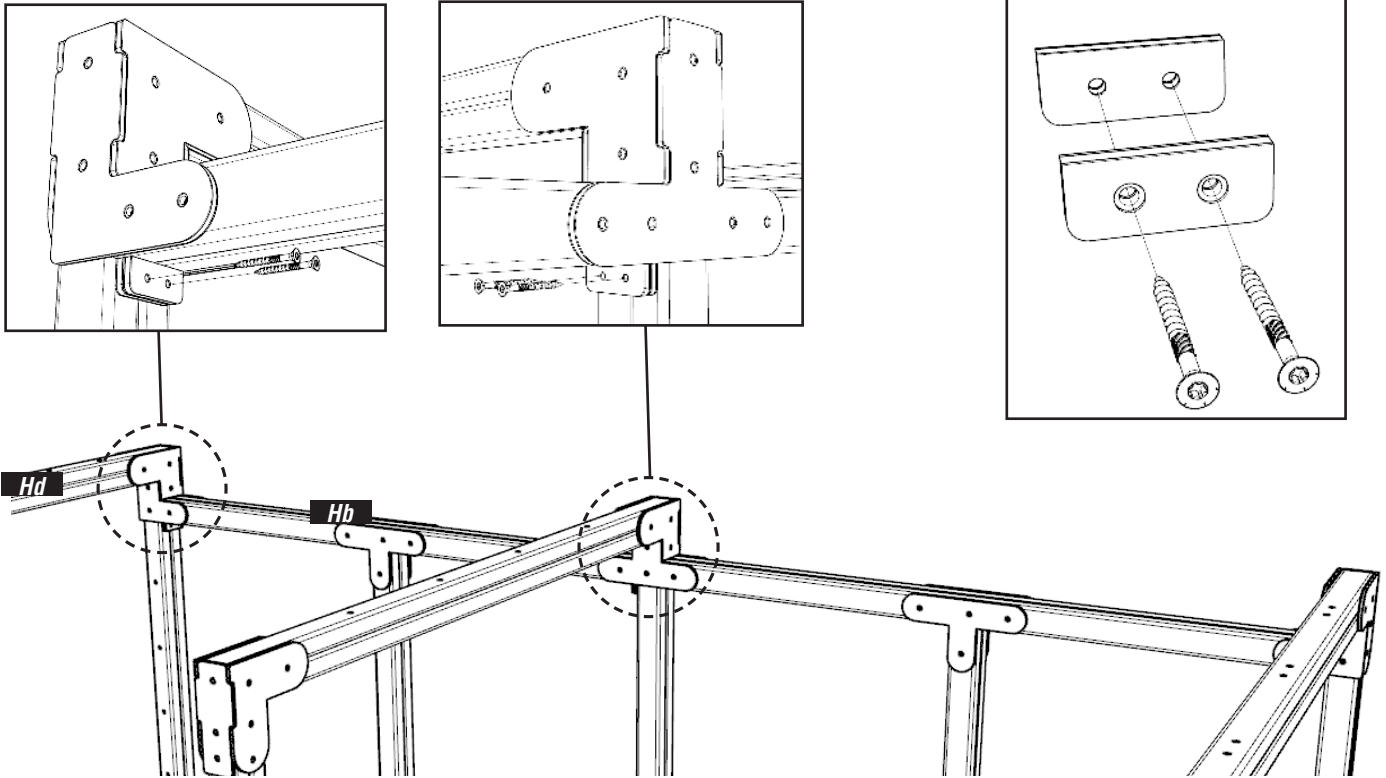


# INSTALLATION INSTRUCTIONS

**11**

**ATTACH PLAYTEC - UNDER BRACKETS ON SECOND Hb**

USING 8X80 WOOD SCREWS, ASSEMBLE UNDERBRACKETS AS SHOWN TO RIGHT



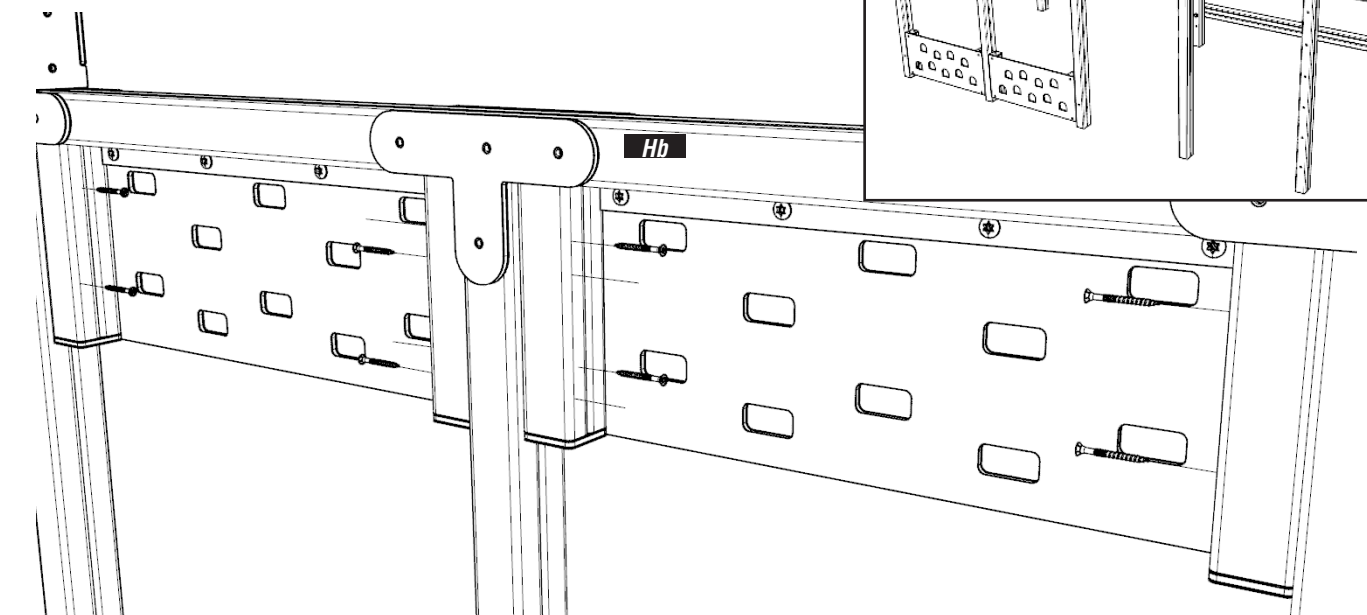
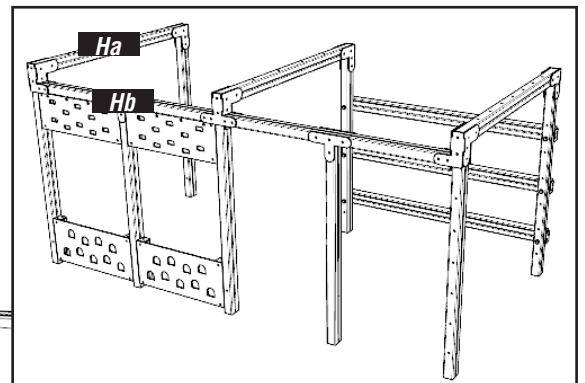
**12**

**ATTACH UPPER PLAYTEC CLIMBING PANELS TO Hb TIMBER SHOWN**

USING 8X180 WOOD SCREWS (2 SCREWS PER TIMBER SPACED EQUALLY)

**NOTES:**

TAKE CARE THAT SCREWS DO NOT  
'CROSS' IN CENTRAL TIMBERS

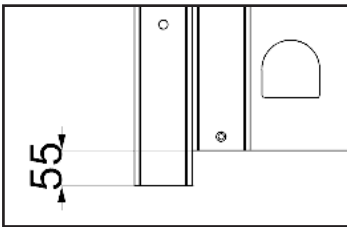
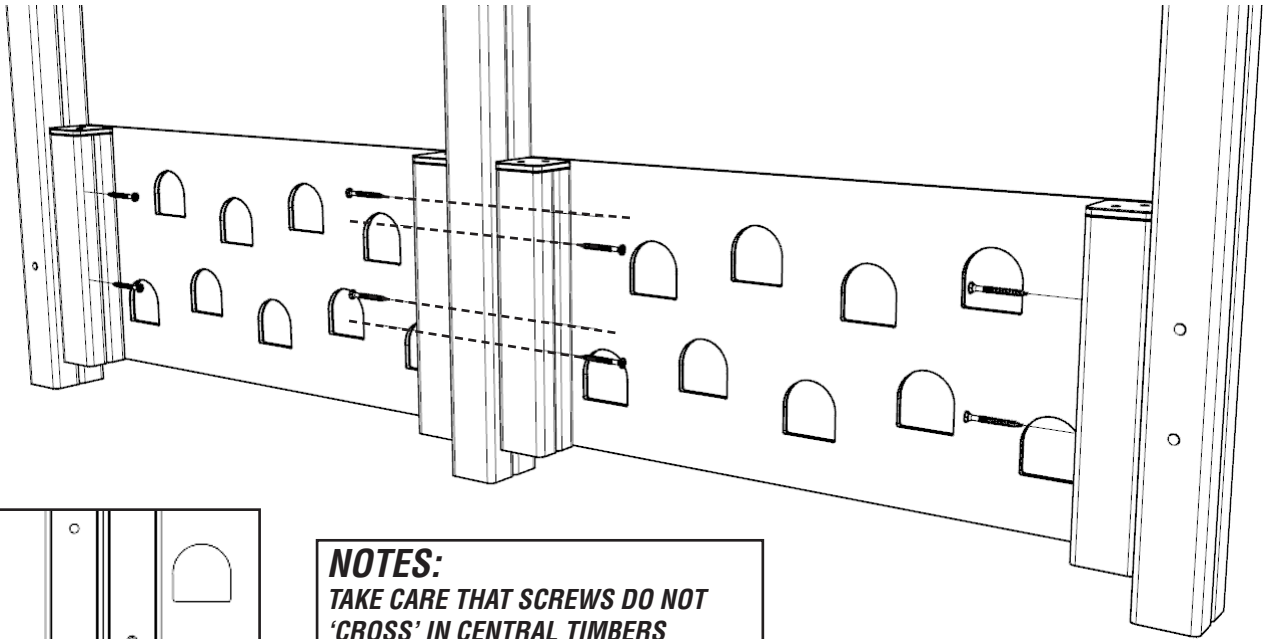


# INSTALLATION INSTRUCTIONS

**13**

## ATTACH LOWER PLAYTEC CLIMBING PANELS

USING 8X180 WOOD SCREWS (2 SCREWS PER TIMBER SPACED EQUALLY)



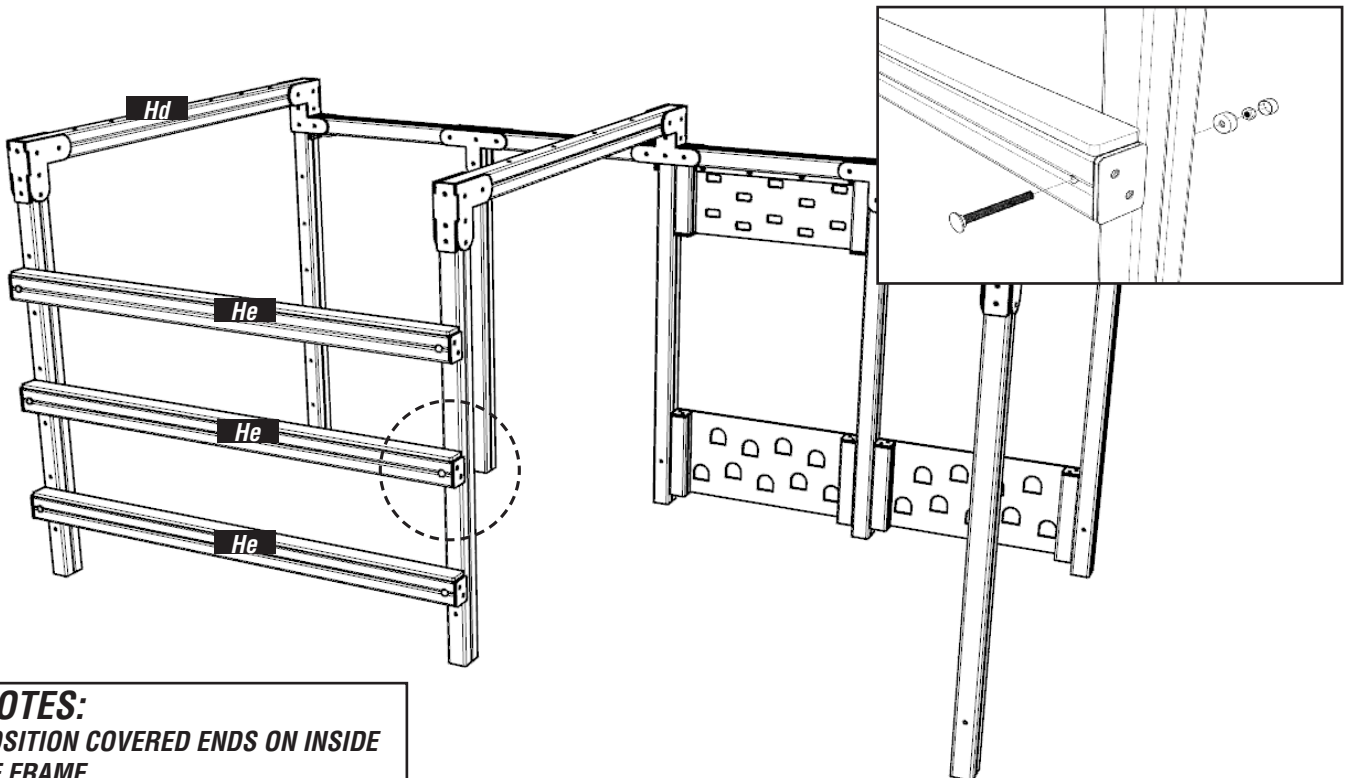
**NOTES:**

TAKE CARE THAT SCREWS DO NOT  
'CROSS' IN CENTRAL TIMBERS  
PANELS ARE POSITIONED 55MM FROM  
GROUND

**14**

## ATTACH LOG CLIMBER TIMBERS He

USING 274.M12X230 / 656.M12 / 102003-01



**NOTES:**

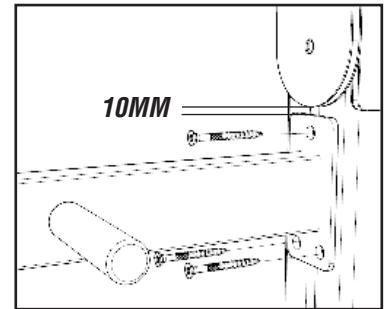
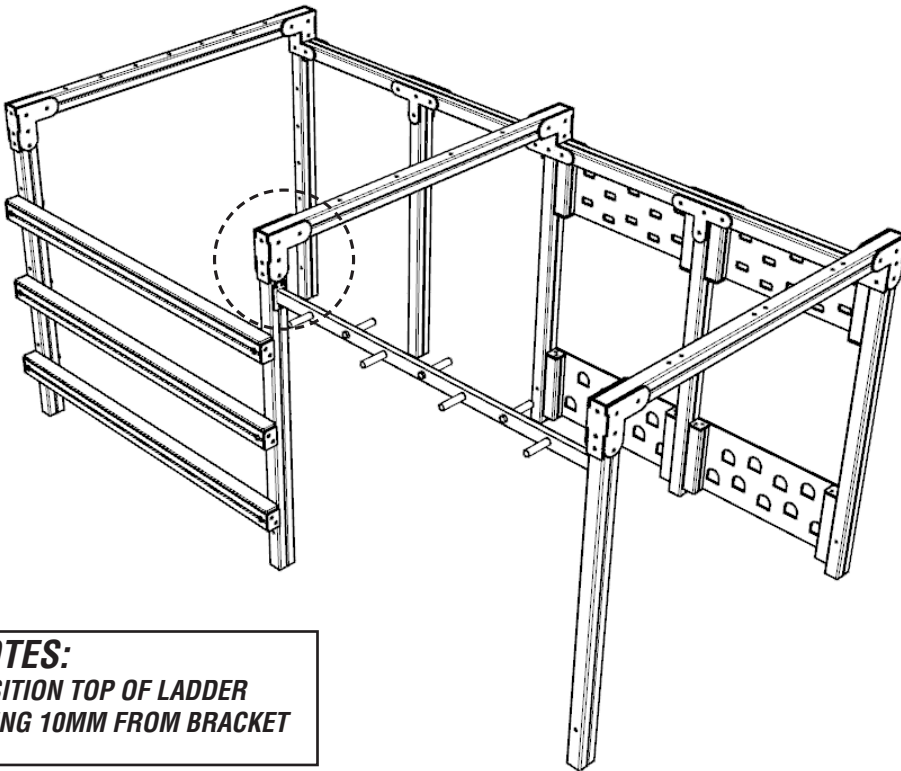
POSITION COVERED ENDS ON INSIDE  
OF FRAME



# INSTALLATION INSTRUCTIONS

**15**

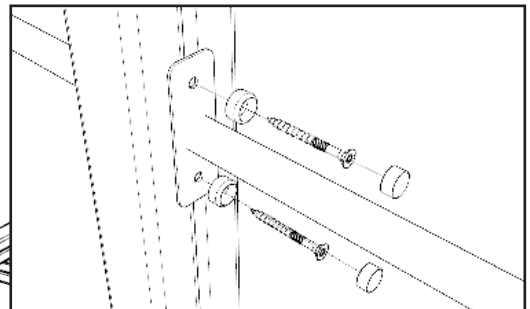
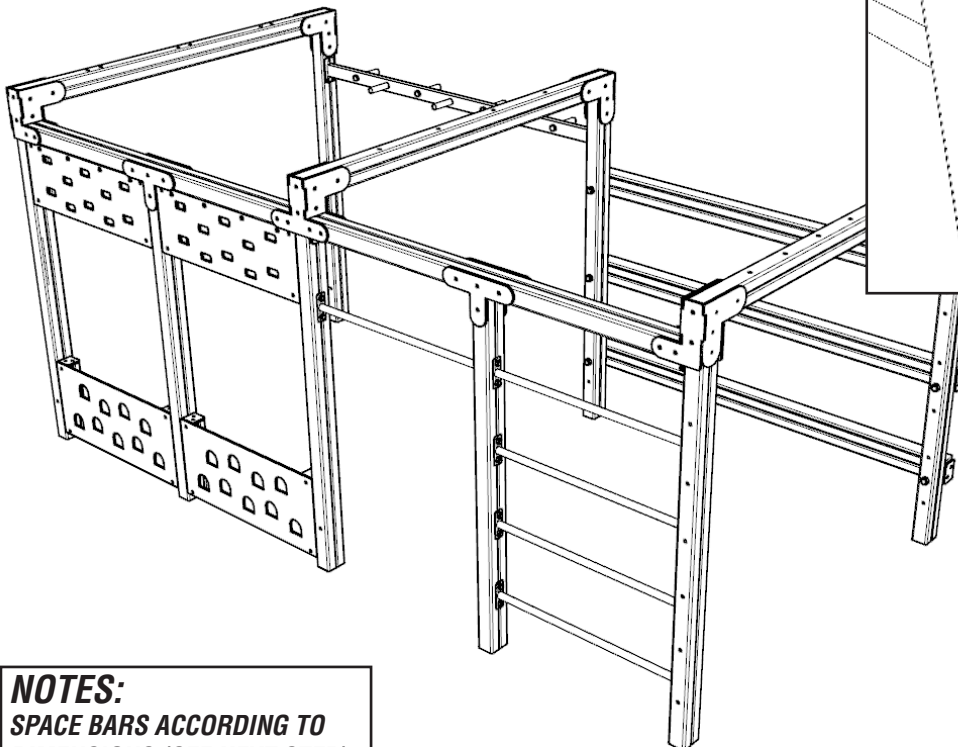
**ATTACH OVERHEAD LADDER**  
USING 8X80 WOOD SCREWS



**NOTES:**  
POSITION TOP OF LADDER  
FIXING 10MM FROM BRACKET

**16**

**ATTACH STANDARD BARS**  
USING 8X80 WOOD SCREWS/ 102003-01

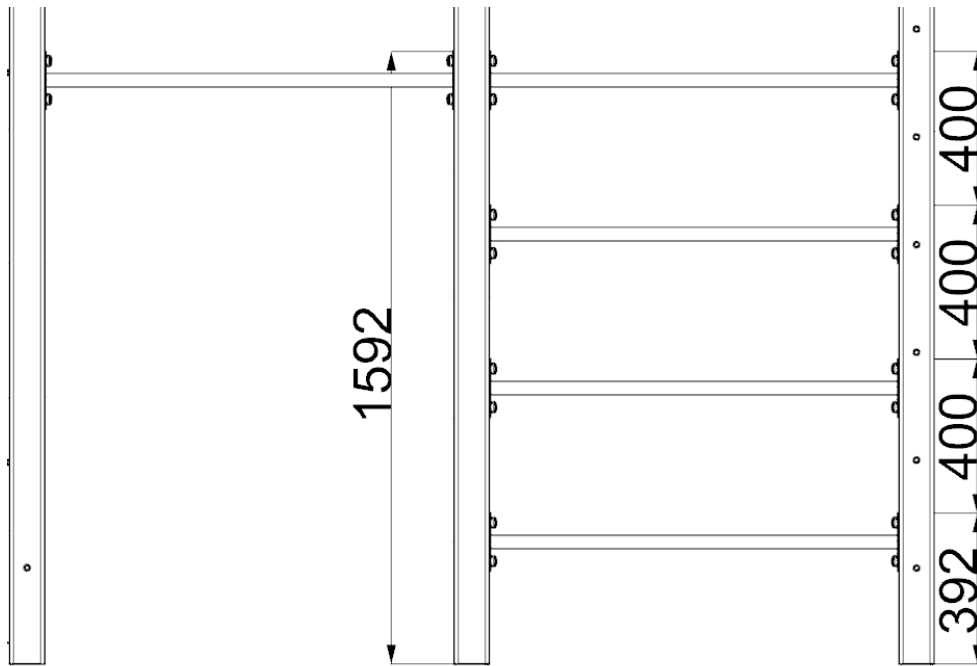


**NOTES:**  
SPACE BARS ACCORDING TO  
DIMENSIONS (SEE NEXT STEP)

# INSTALLATION INSTRUCTIONS

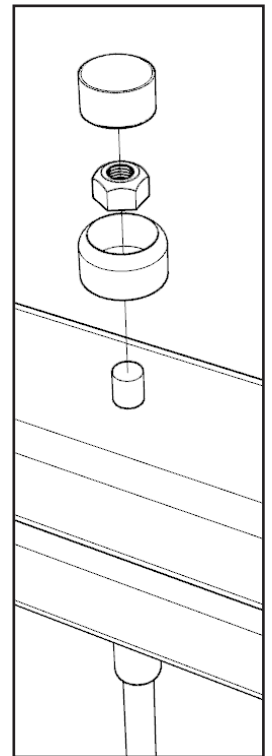
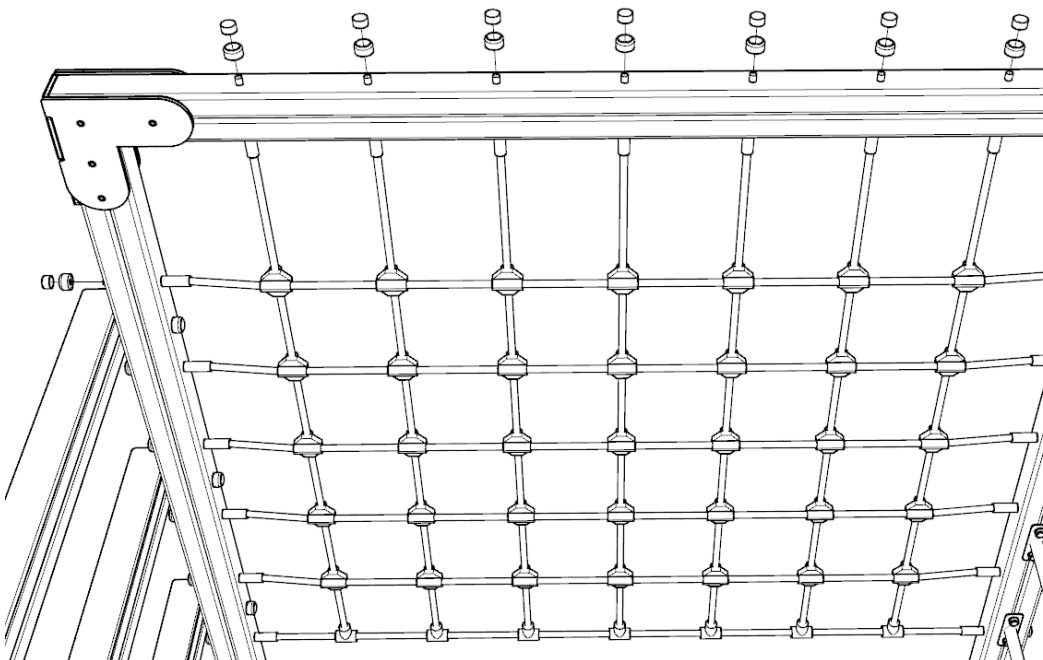
**17**

**PLEASE ENSURE  
SPACING BETWEEN BARS IS AS SHOWN BELOW**



**18**

**ATTACH CARGO NET  
USING 656.M12 / 102003-01**



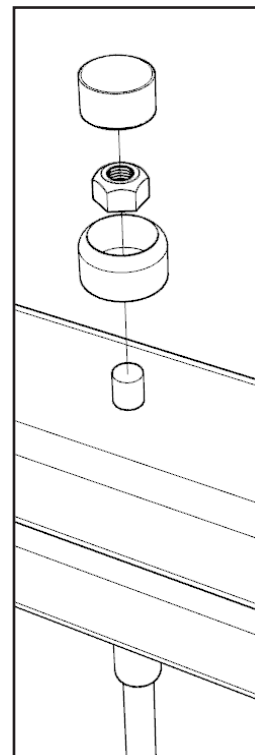
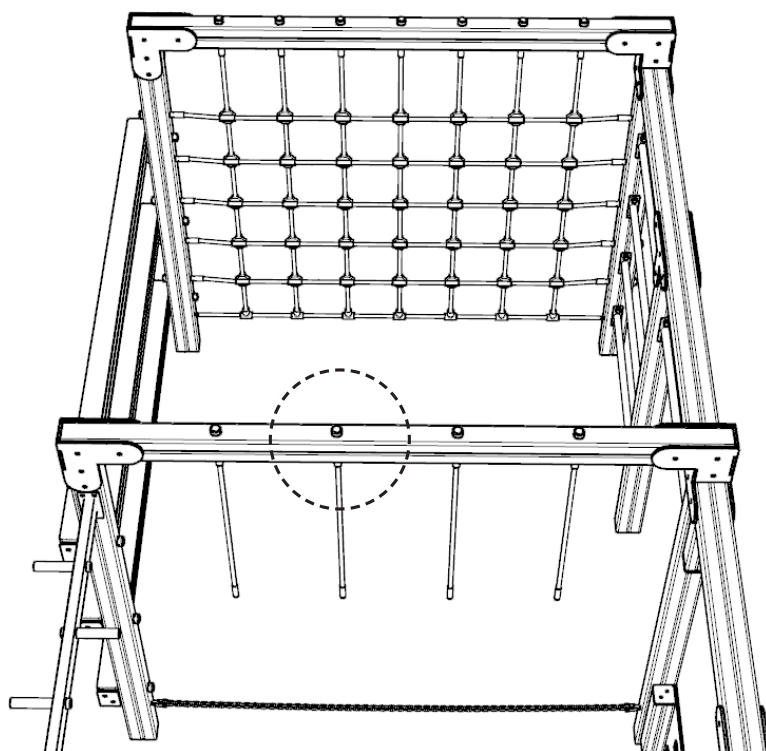


# INSTALLATION INSTRUCTIONS

**19**

## ATTACH SWINGING ROPES

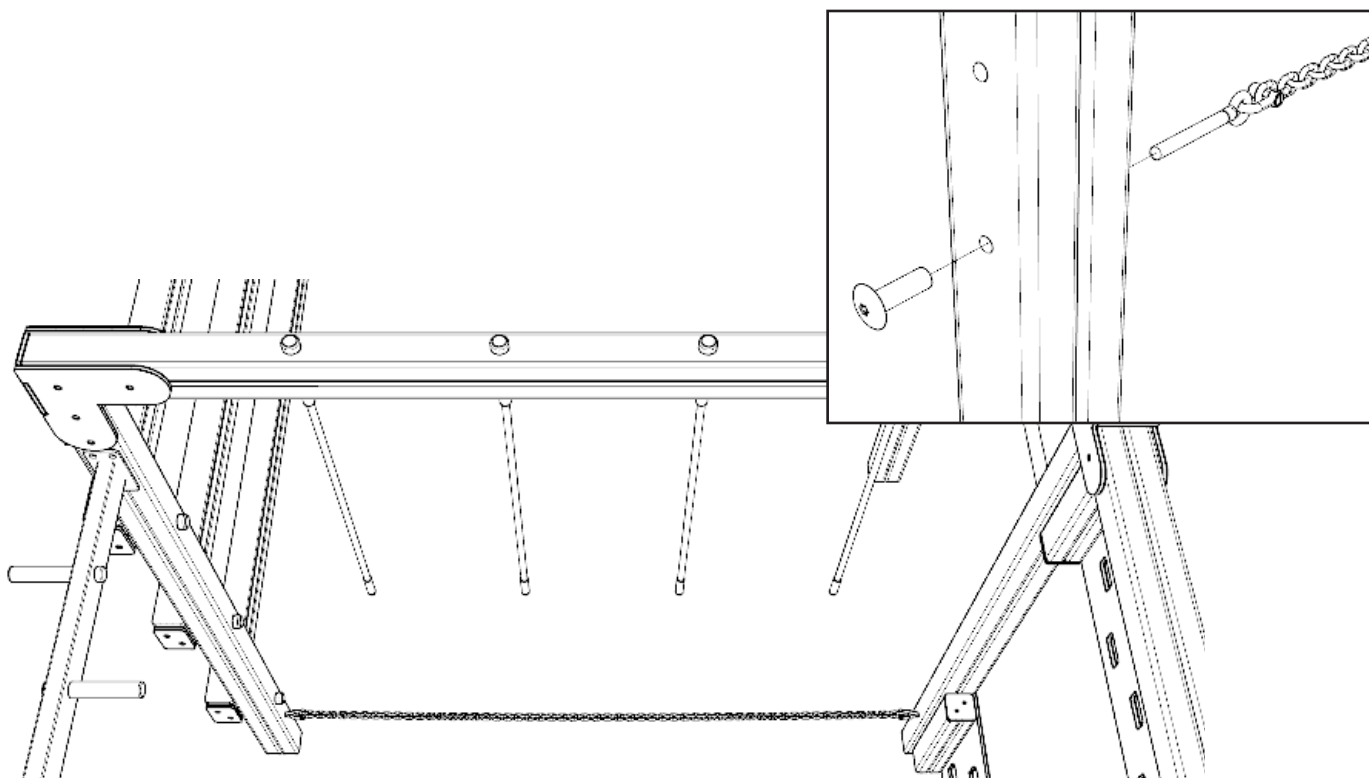
USING 656.M12 / 102003-01



**20**

## ATTACH SWINGING ROPE CHAIN

USING M12 X 50MM SOCKET NUT, D - SHACKLE AND EYEBOLT SHOULD BE PRE-ATTACHED TO CHAIN

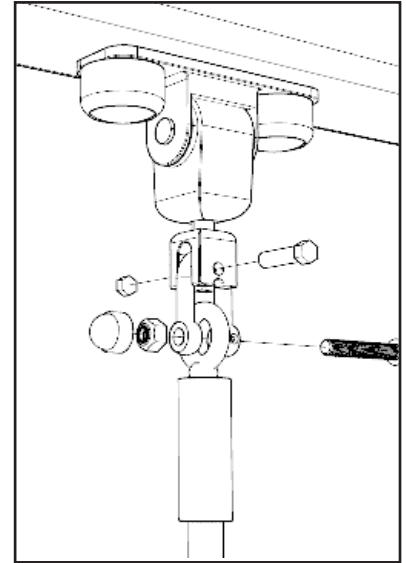
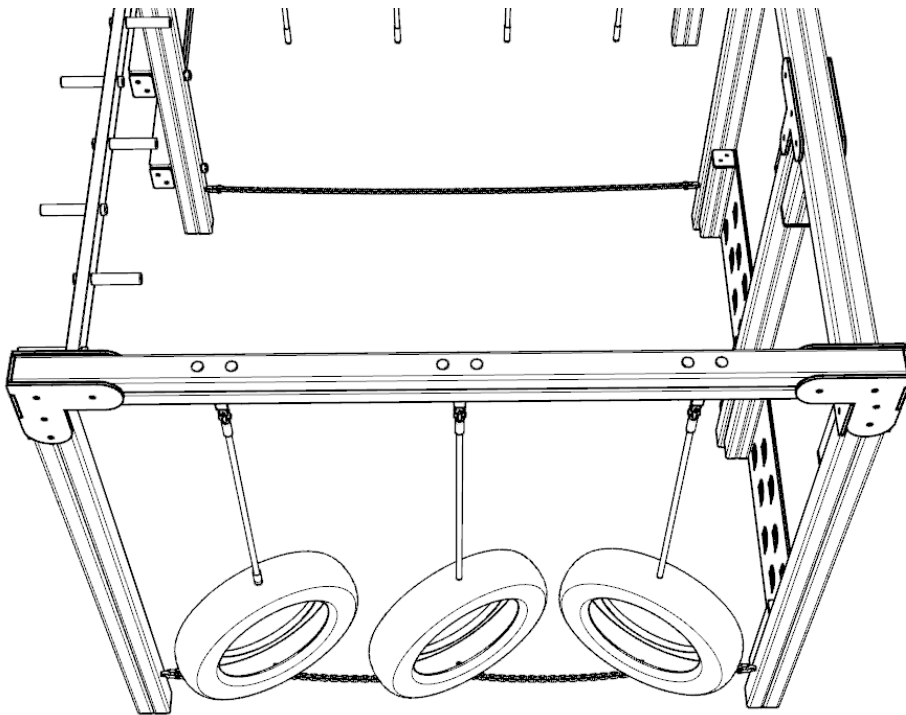


# INSTALLATION INSTRUCTIONS

**21**

## ATTACH TYRES

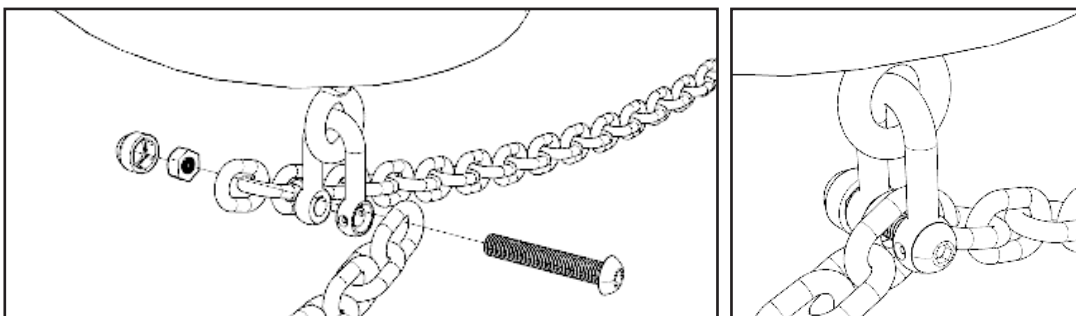
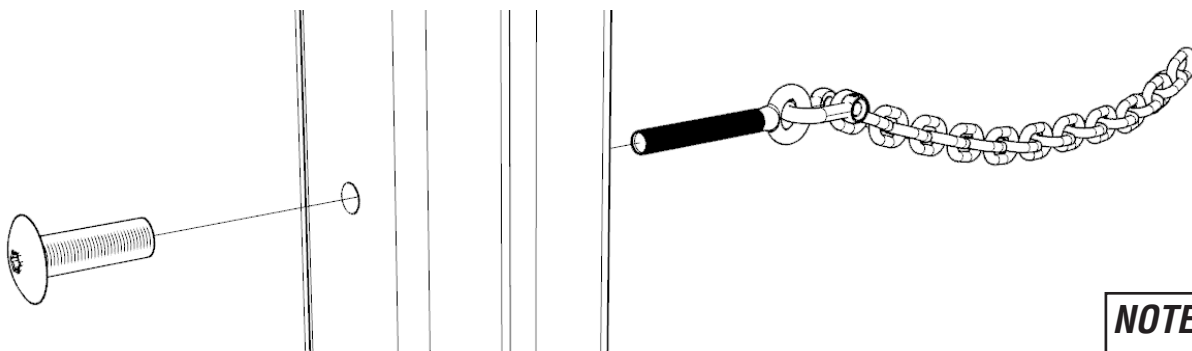
USING D - SHACKLE SETS AS SHOWN



**22**

## ATTACH TYRE CHAINS

USING M12 X 50MM SOCKET NUT ON EYEBOLT CHAINS & D- SHACKLE SETS ON MIDDLE CHAINS



### NOTES:

REPEAT EYEBOLT CHAIN ON BOTH SIDES

ATTACH MIDDLE CHAINS TO TYRES AS SHOWN

ENSURE CHAIN IS POSITION ON INSIDE OF D - RING

REMOVE LINKS IF NECESSARY

# ADDITIONAL DIMENSIONS

