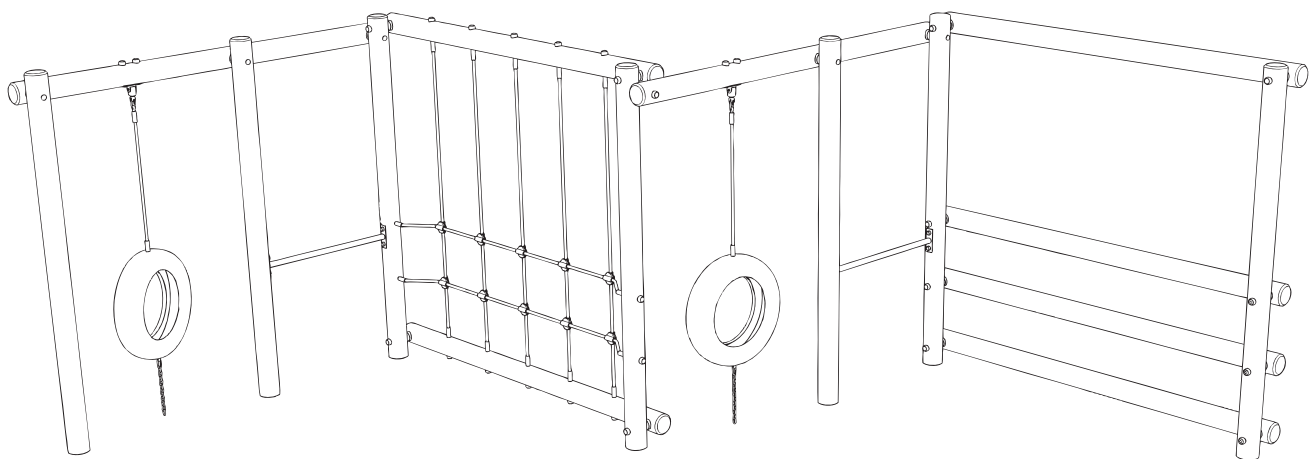
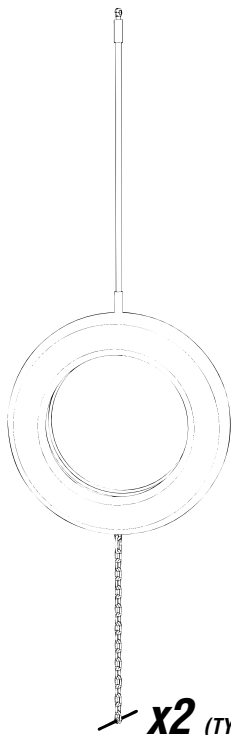


LINEAR DEE CLIMBING FRAME ROUND

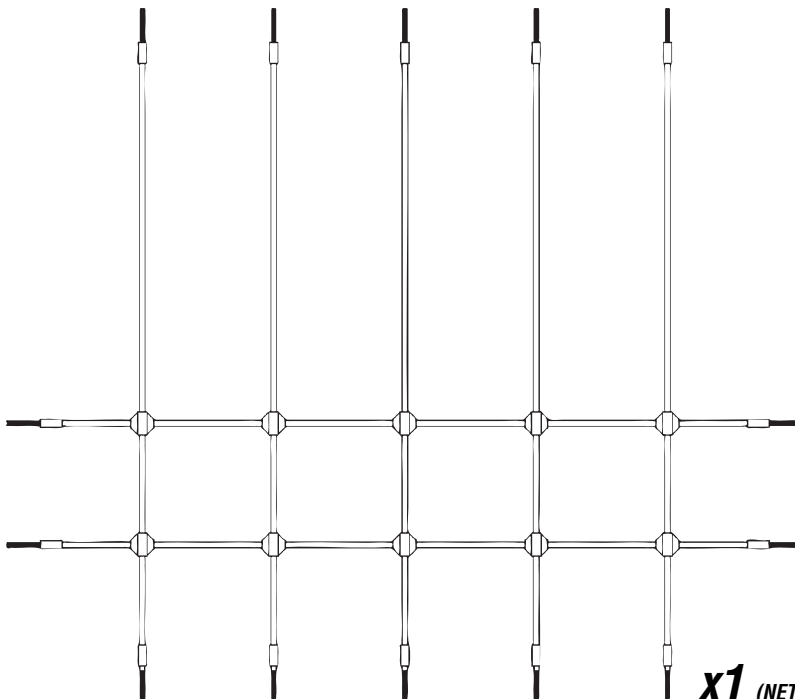
Installation Instructions



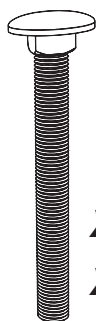
PARTS required



x2 (TYRE + ROPE + CHAIN)



x1 (NET)

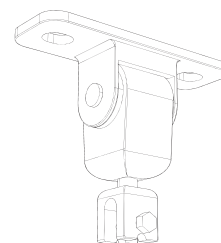


x4 (M12 x 140 Square Cup HEX bolt)

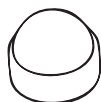
x19 (M12 x 300 Square Cup HEX bolt)



x4 (FM80 'Brass screws')



x2 (Swing Hanger)



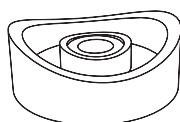
x8 (M8 Plastic Cover)



x37 (end caps R60)



x4 (small caps blue)



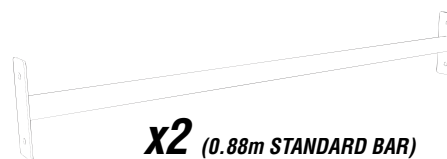
x36 (120 Distance piece)
120 label is shown on the inside



x37 (M12 'NYLOC')



x2 (D-Shackle)



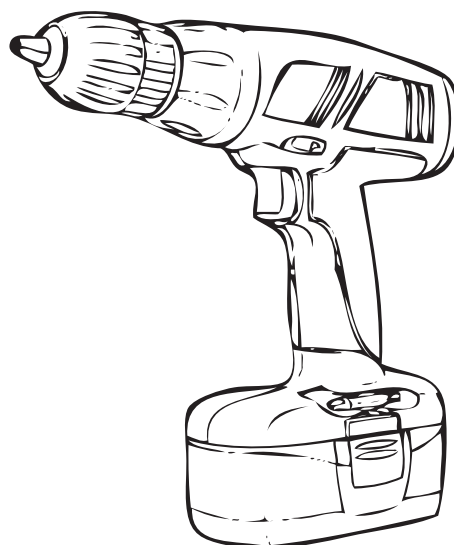
x2 (0.88m STANDARD BAR)

TIMBERS required

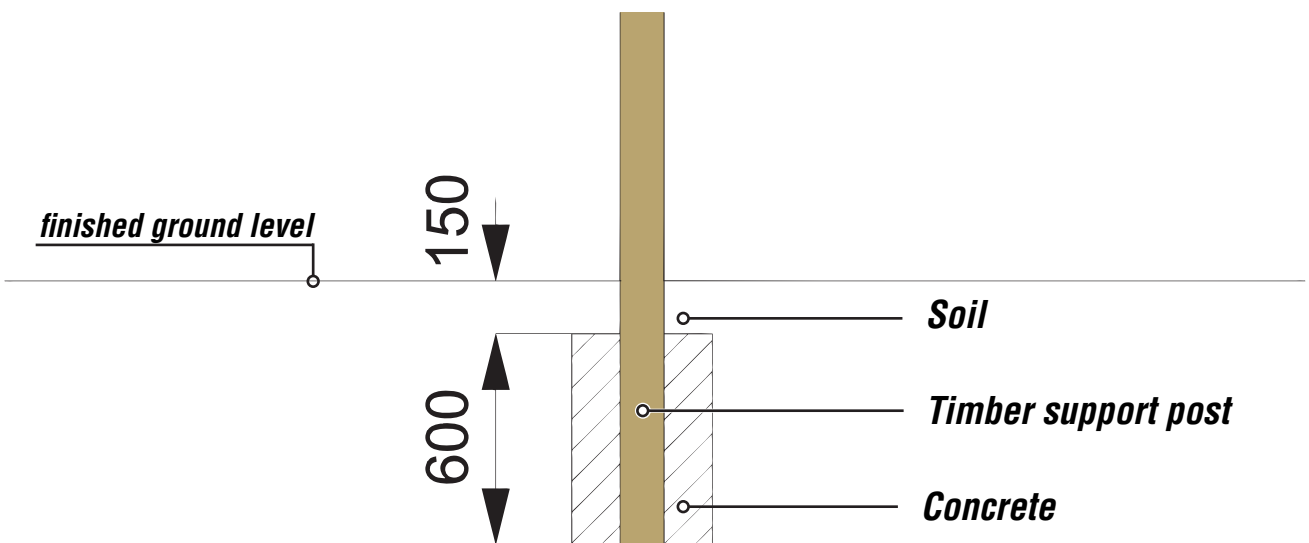
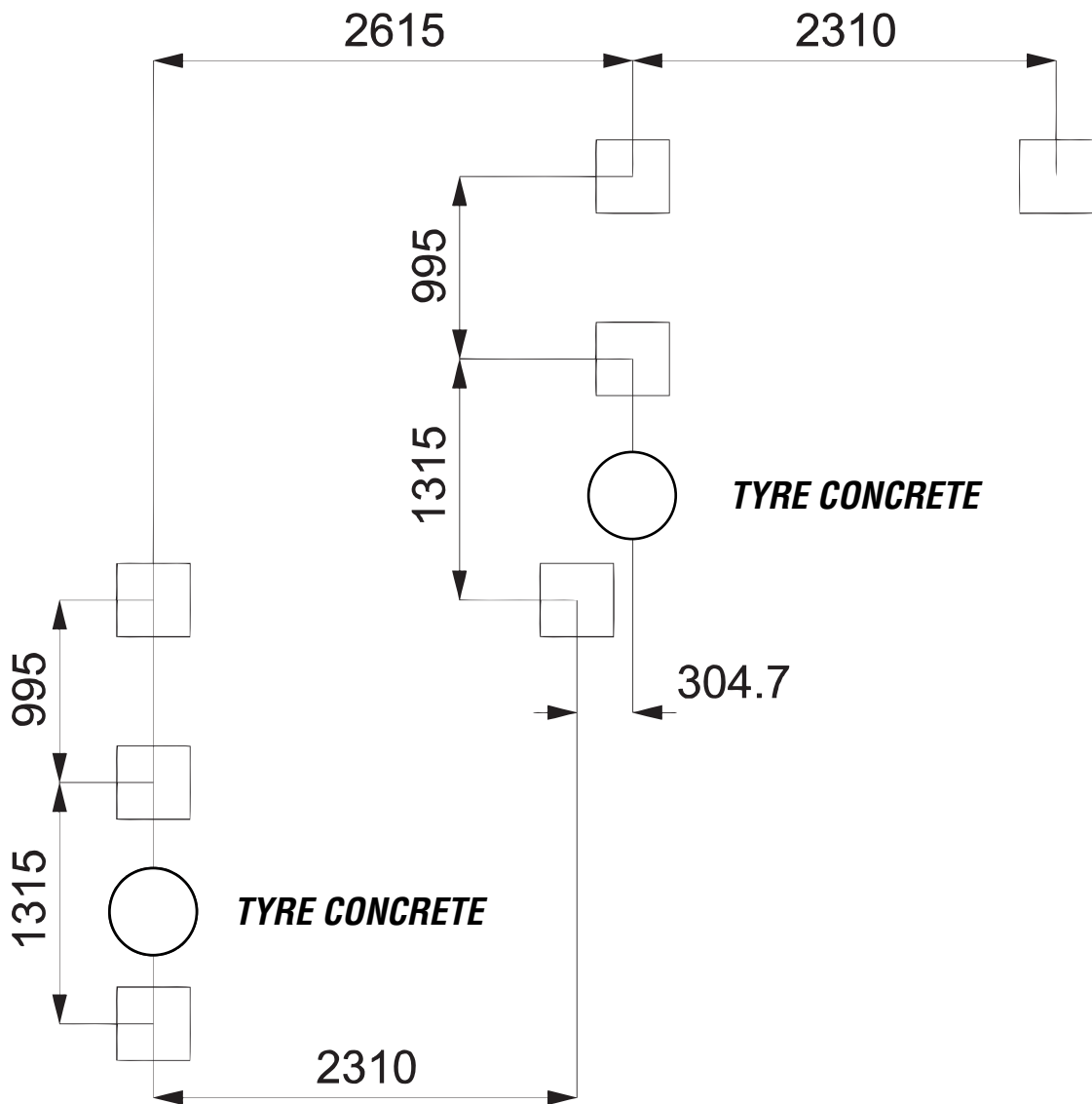


CODE	TYPE	SIZE mm	QTY
CF104Ra	Ø 125mm	3000	1
CF104Rb	Ø 125mm	3000	1
CF101Rb	Ø 125mm	3000	1
CF101Rc	Ø 125mm	3000	2
CF101Rd	Ø 125mm	3000	1
CF101Re	Ø 125mm	3000	1
CF101Rf	Ø 125mm	2460	2
CF101Rg	Ø 125mm	2460	3
CF101Rh	Ø 125mm	2460	2

TOOLS required

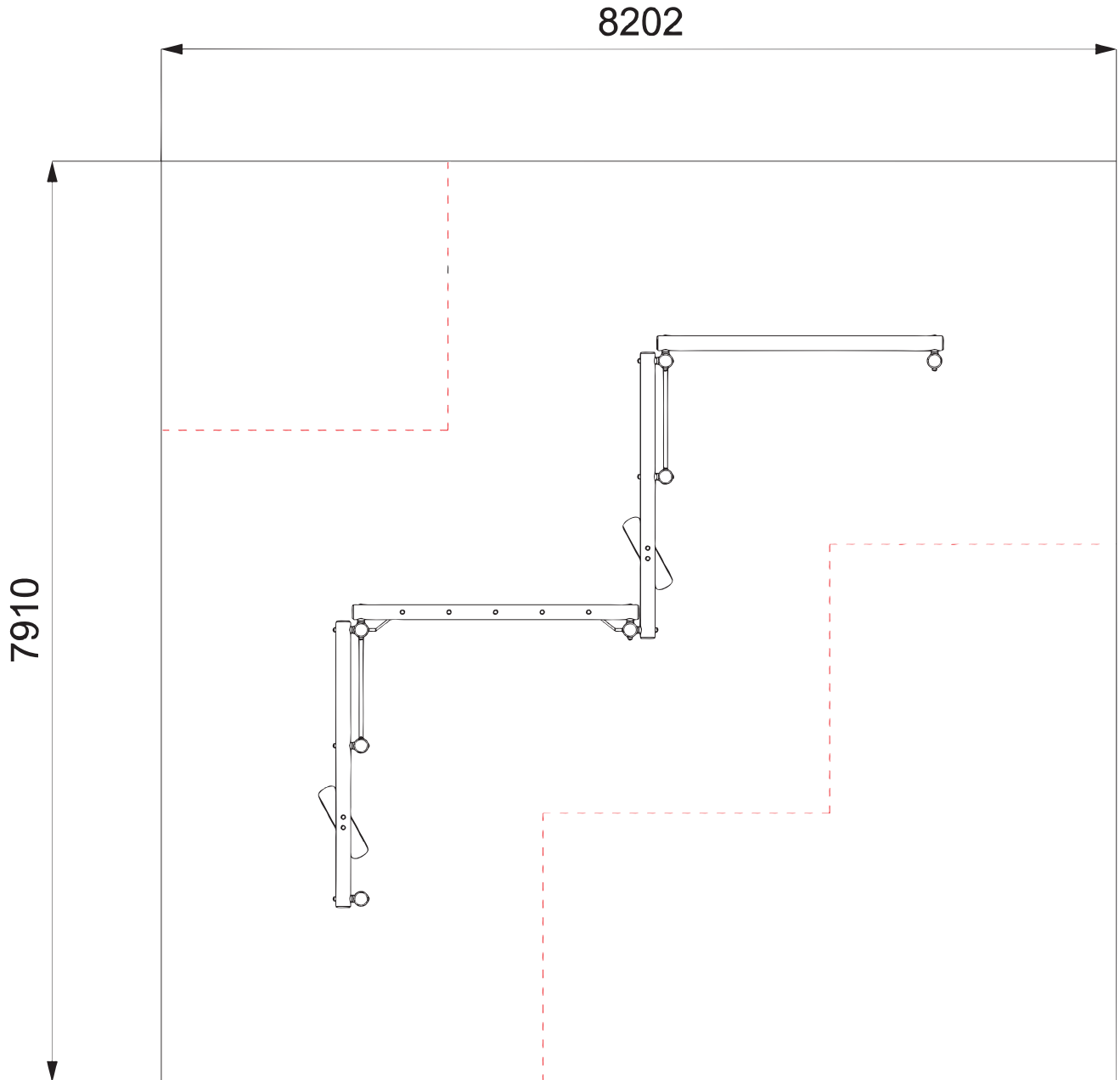


Foundation Details



Surfacing Details

- - - - = MINIMUM SPACE
- = SURFACE AREA

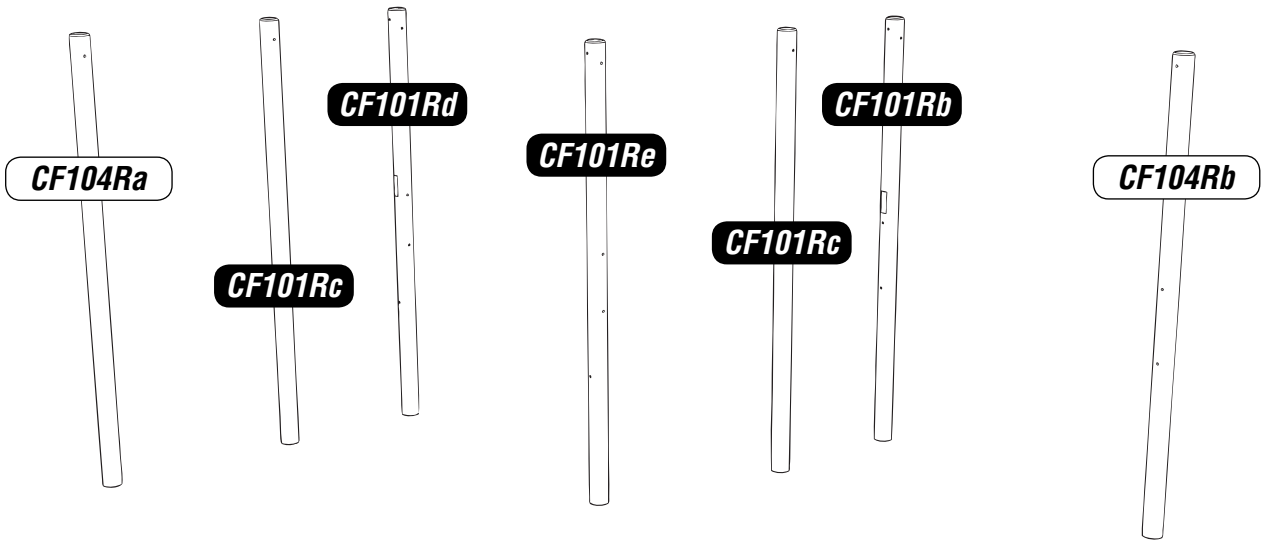


Installation Instructions

1

Install the UPRIGHTS CF101Rb/c/d and CF104Ra/b

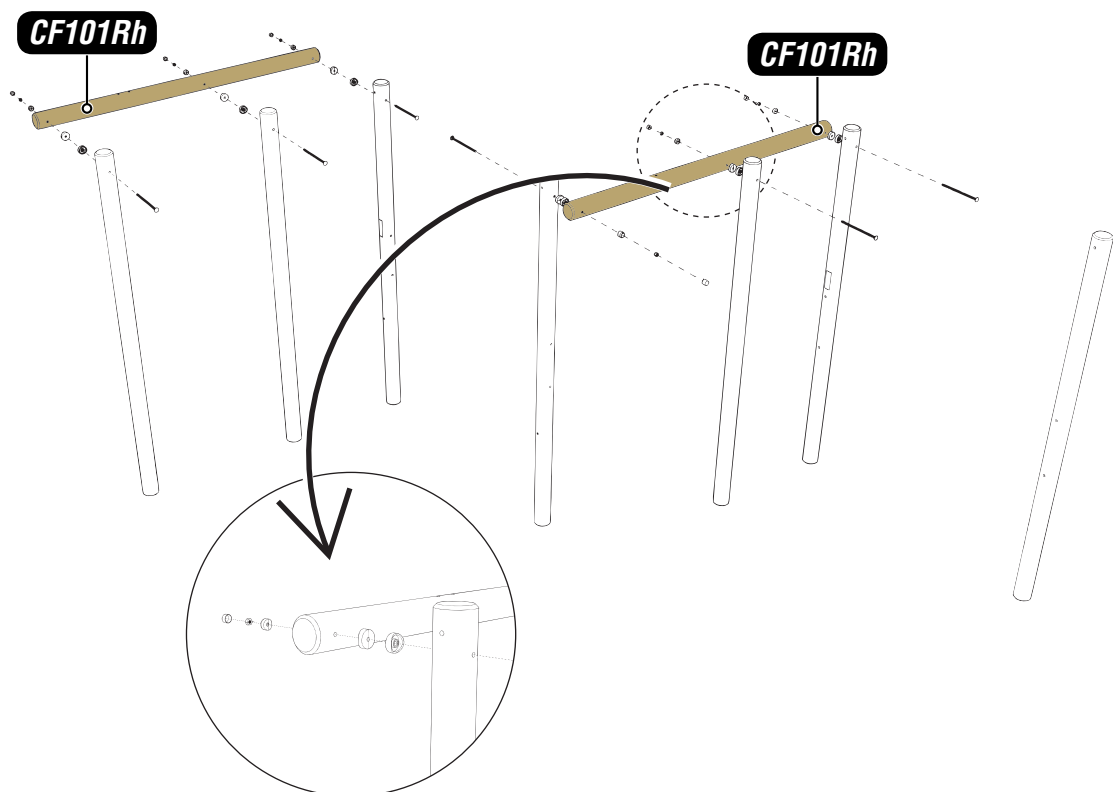
Follow Foundation details



2

Attach the Timber CF101Rh to the Timbers CF101Rb/c/d/e and F104Ra

Using 12x 120 Distance piece/ 6x @300mm M12 SQUARE CUP HEX BOLTS / 6x NYLOCS / 6x END CAPS R60

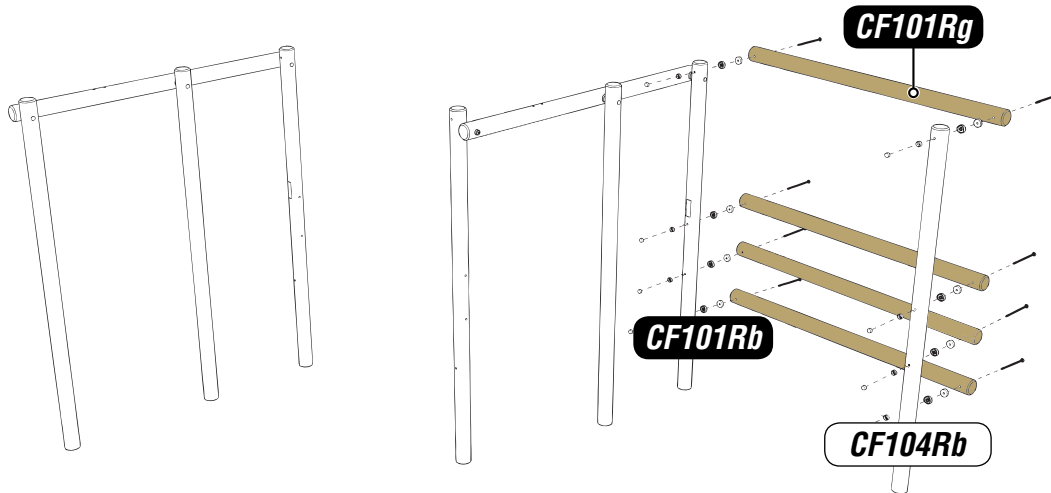


Installation Instructions

3

Attach the Timber 3x CF101Rg to the Timbers CF101Rb and CF104Rb

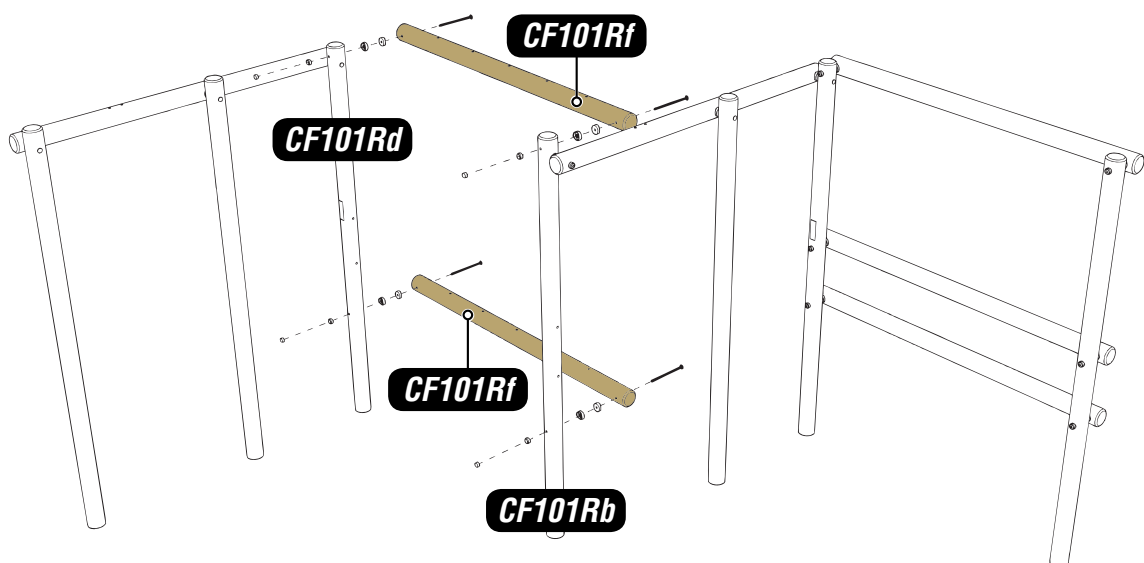
Using 16x 120 Distance piece/ 8x @300mm M12 SQUARE CUP HEX BOLTS / 8x NYLOCS / 8x END CAPS R60



4

Attach the Timber CF101Rf to the Timbers CF101Rd/e

Using 8x 120 Distance piece/ 4x @300mm M12 SQUARE CUP HEX BOLTS / 4x NYLOCS / 4x END CAPS R60

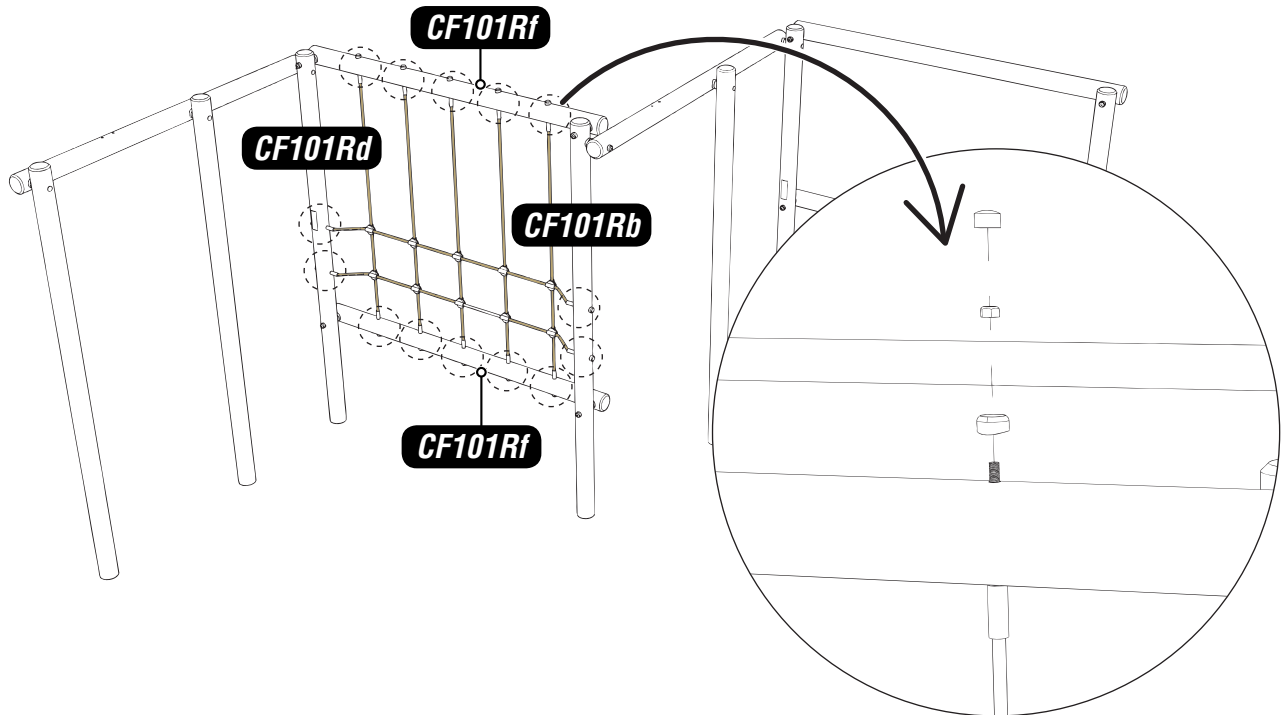


Installation Instructions

5

Attach NET to the Timbers CF101Rd/e/f

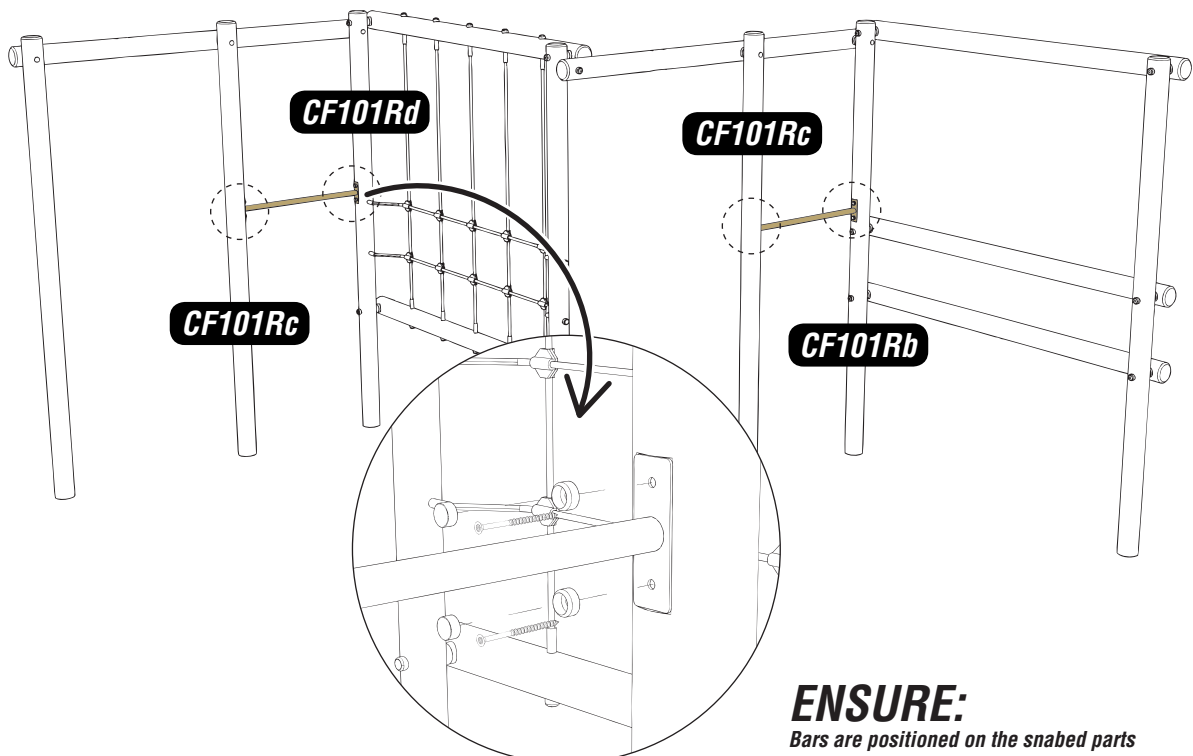
Using 14x NYLOCS / 14x END CAPS R60



6

Attach STANDARD BAR to the Timbers CF101Rb/c/d

Using 8x FM80 Brass 'Screws' / 4x SMALL END CAPS



ENSURE:

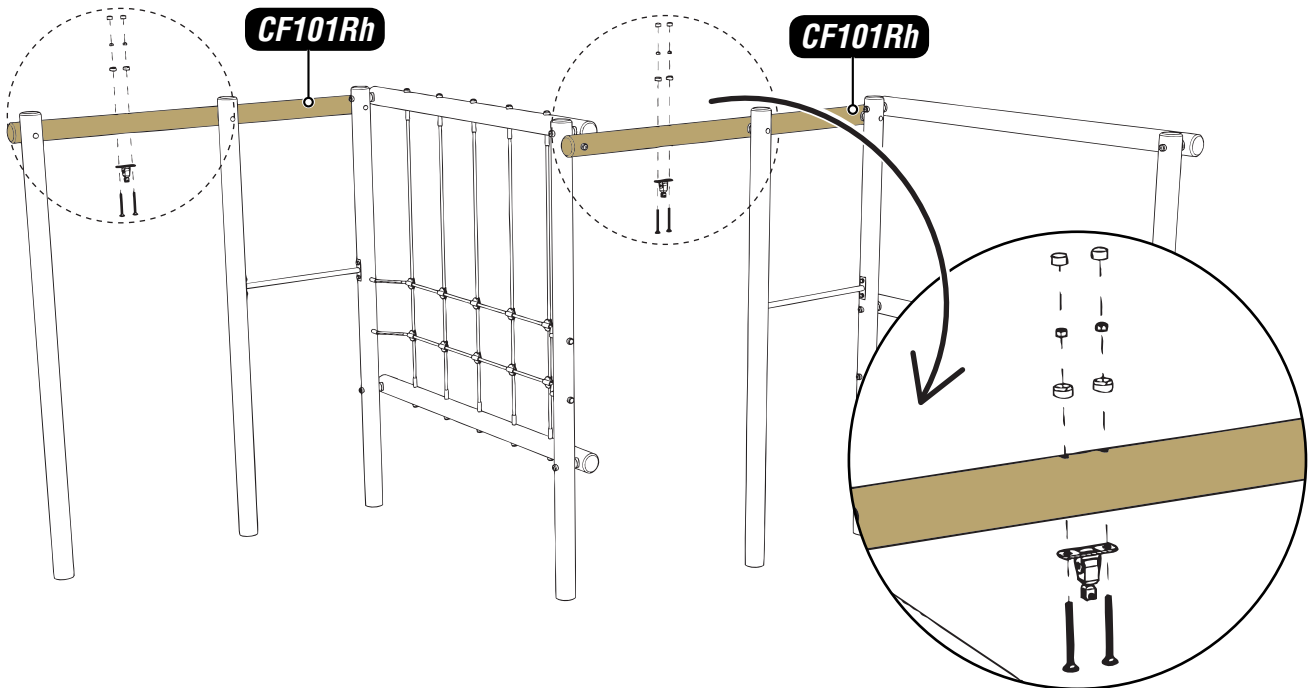
Bars are positioned on the snaped parts

Installation Instructions

7

Attach SWINGHANGER to the Timbers CF101Rh

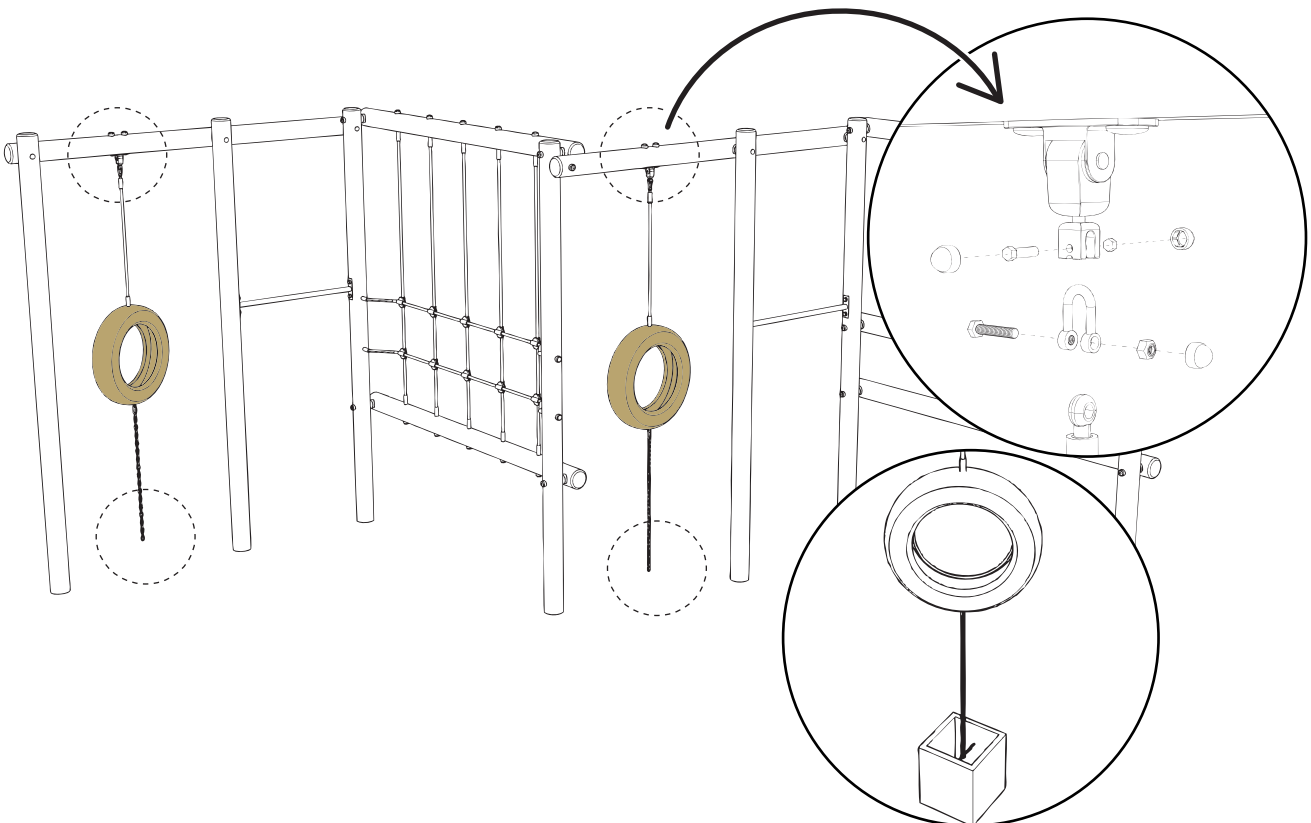
Using 4x @140mm M12 SQUARE CUP HEX BOLTS / 4x NYLOGS / 4x END CAPS R60 / 2x Swing Hangers



8

Attach the TYRE ASSEMBLY to the SWINGANGERS

Using 2x D-Shackle/ 8x M8 Plastic Covers



Additional Dimensions

