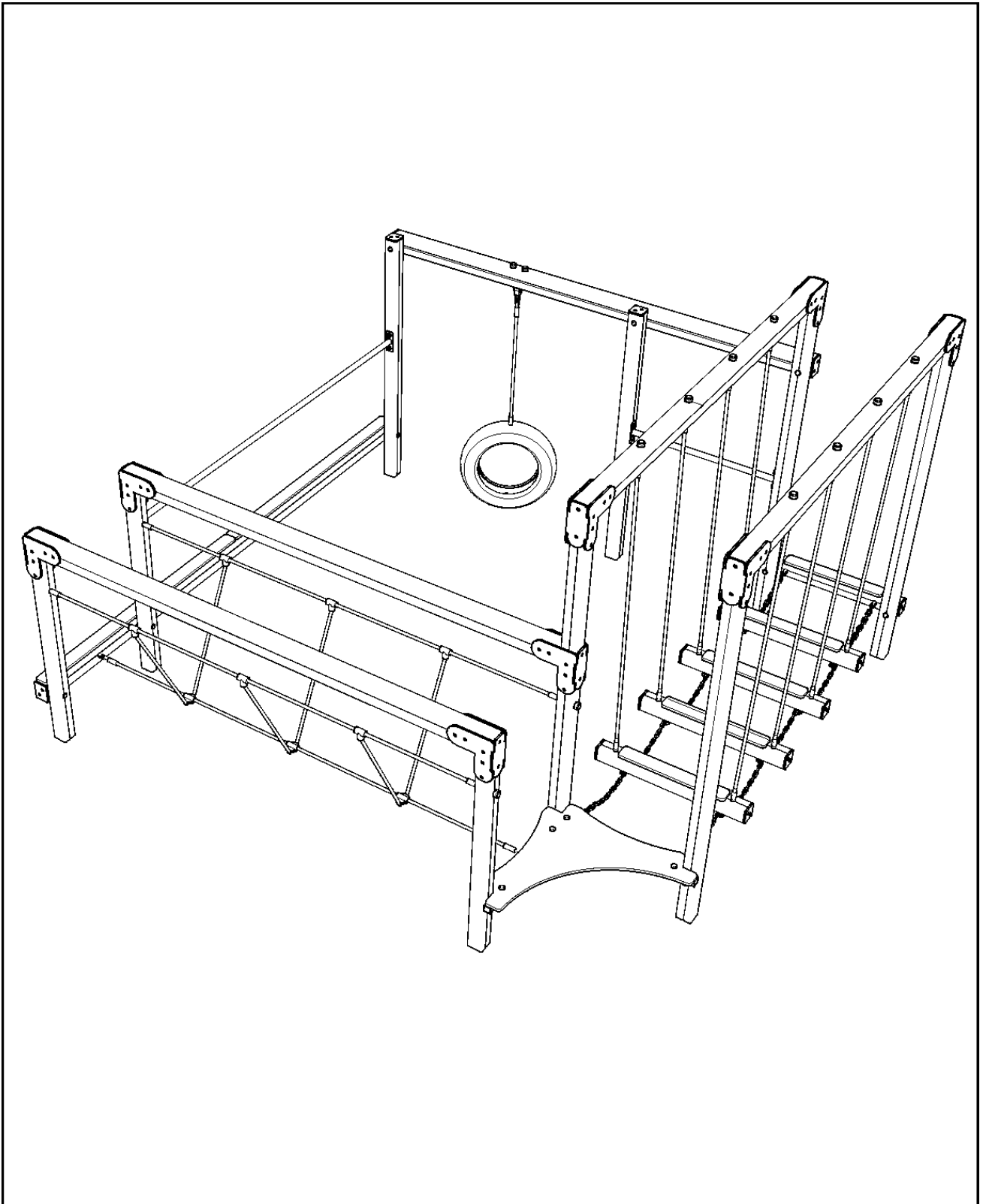


DERWENT CLIMBING FRAME

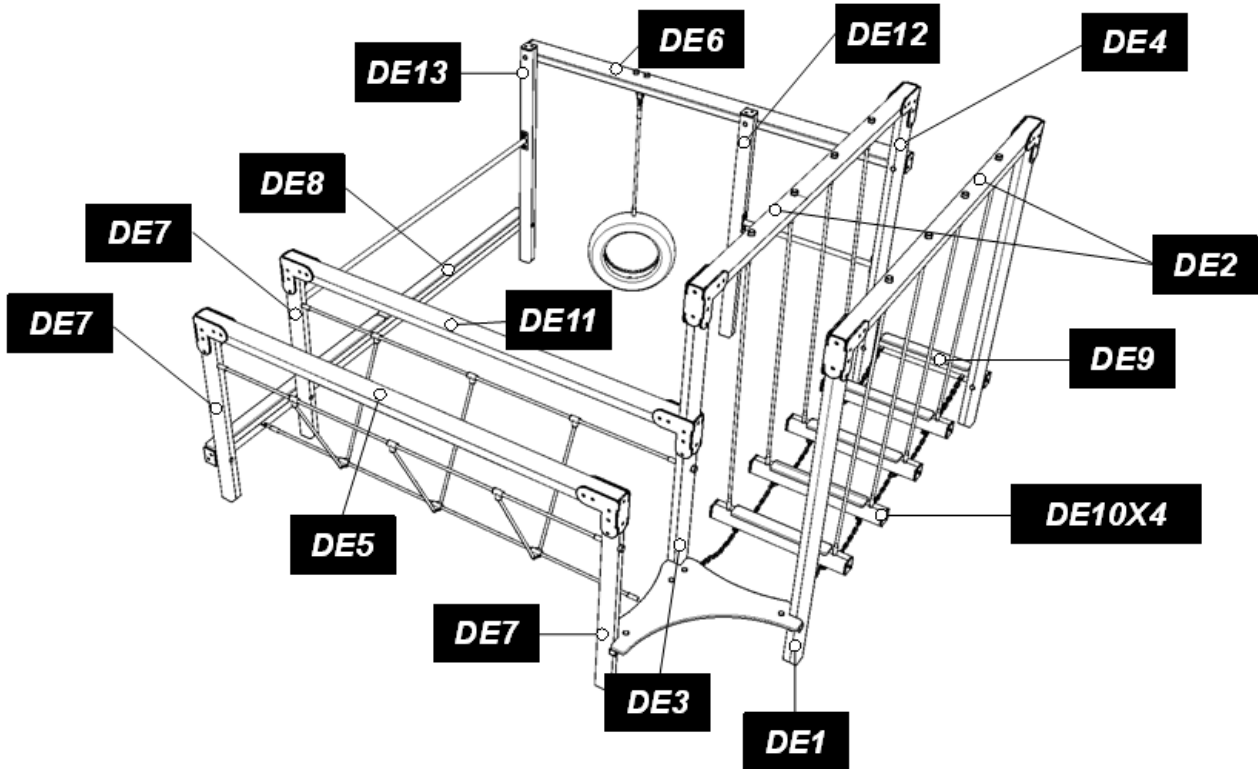
Installation Instructions

**creative
play**



Parts required

TIMBERS



DE1 QTY x 2
(90mm x 90mm) 3000mm

DE2 QTY x 2
(120mm x 90mm) 2800mm

DE3 QTY x 1
(90mm x 90mm) 3000mm

DE4 QTY x 1
(90mm x 90mm) 3000mm

DE5 QTY x 1
(120mm x 90mm) 3000mm

DE6 QTY x 1
(120mm x 90mm) 3000mm
Including swing hanger

DE7 QTY x 3
(90mm x 90mm) 2100mm

DE8 QTY x 1
(120mm x 90mm) 2400mm

DE9 QTY x 1
(90mm x 90mm) 900mm

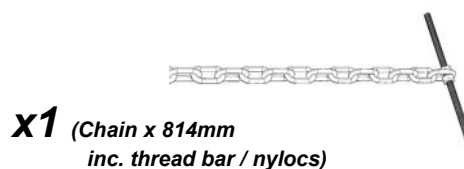
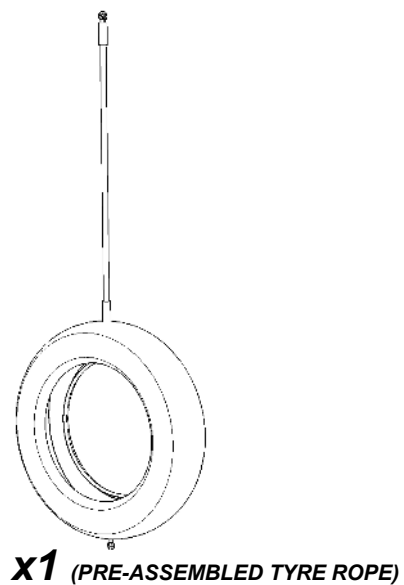
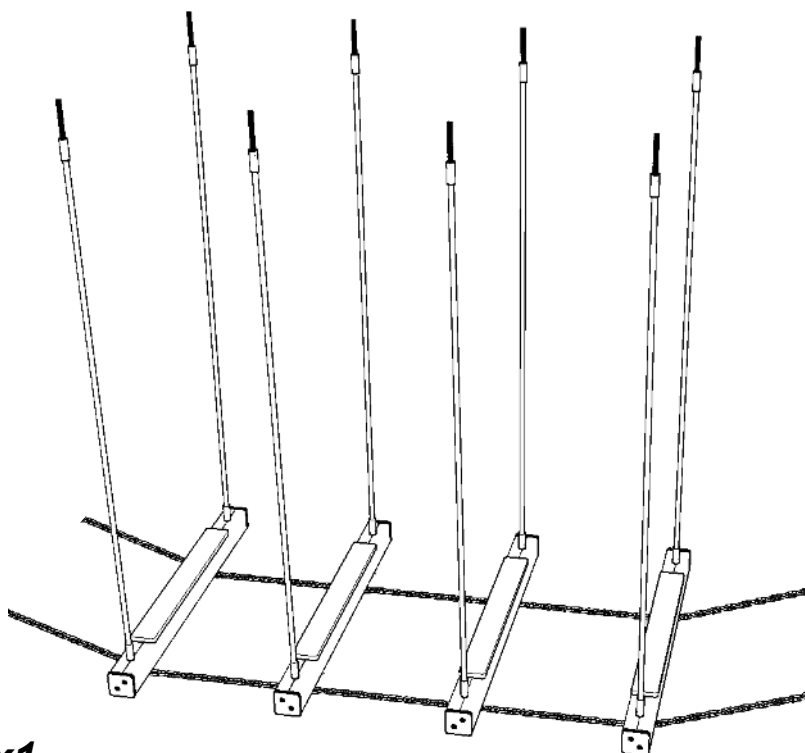
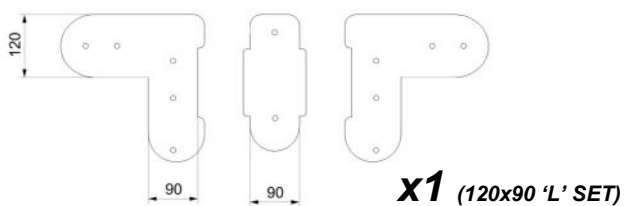
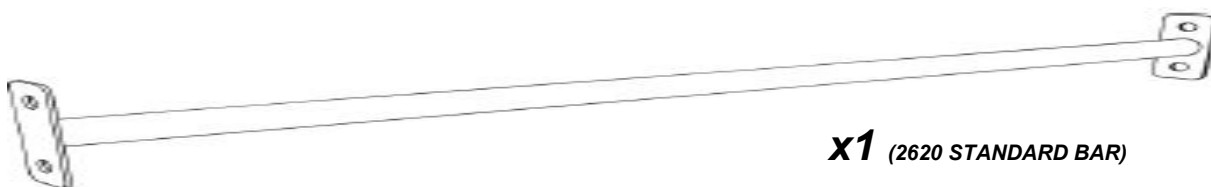
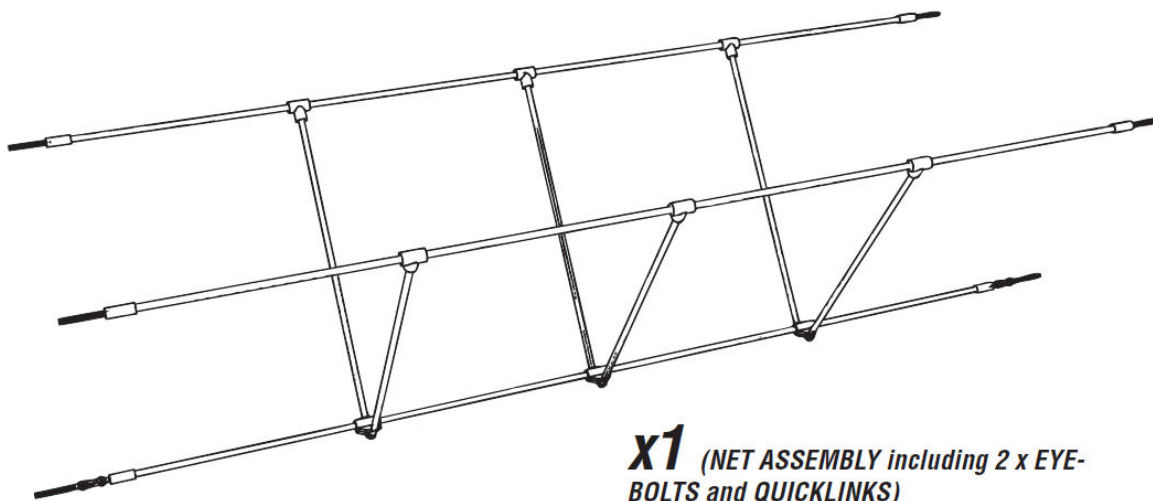
DE10 QTY x 4
(90mm x 90mm) 900mm

DE11 QTY x 1
(120mm x 90mm) 2910mm

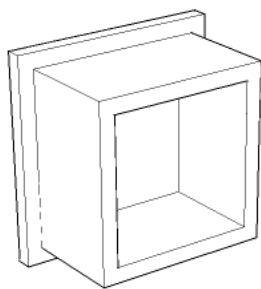
DE12 QTY x 1
(90mm x 90mm) 2600mm

DE13 QTY x 1
(90mm x 90mm) 2600mm

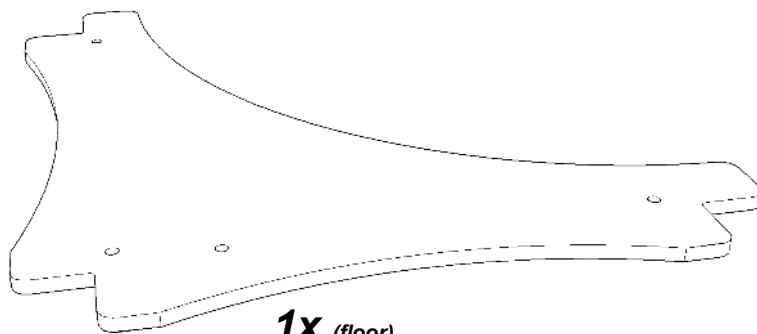
Parts required



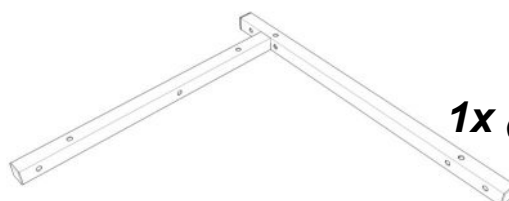
Parts required



3X (end square cap)



1X (floor)



1X (Metal frame)



8X (M12 x200mm square hex bolt)

3X (M12 x150mm square hex bolt)

2X (M12 x120mm square hex bolt)

4X (M12 x80mm square hex bolt)

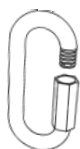


48X (FM80 'BRASS SCREW')



3X (EYEBOLT x 130mm)

3X (EYEBOLT x 80mm)



7X (QUICKLINK)



33X (end caps)

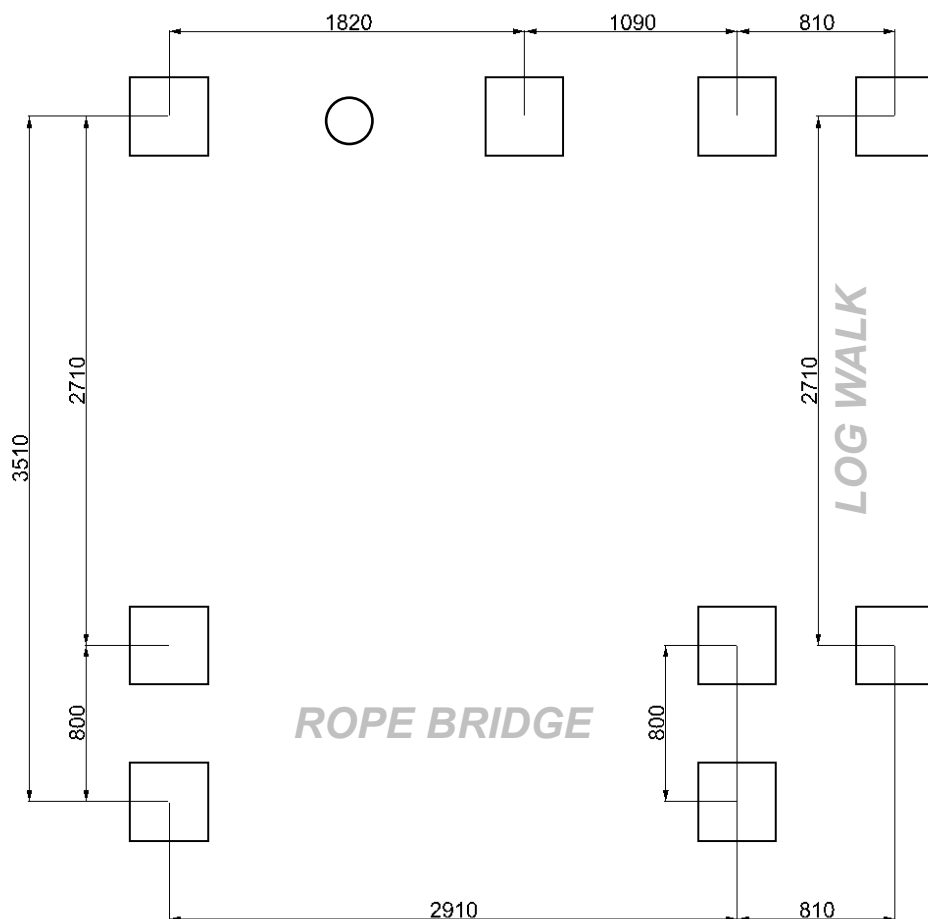


33X (M12 NYLOC)

TOOLS required

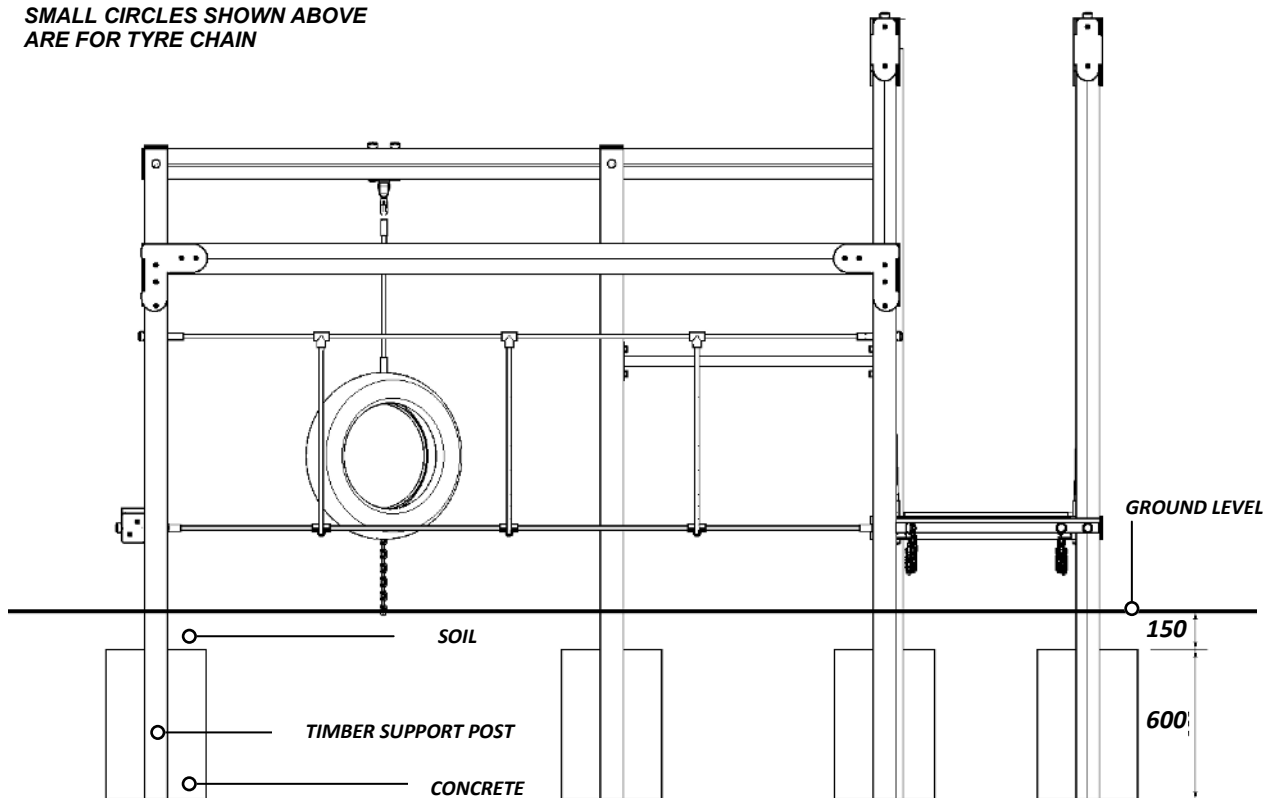


Foundation details



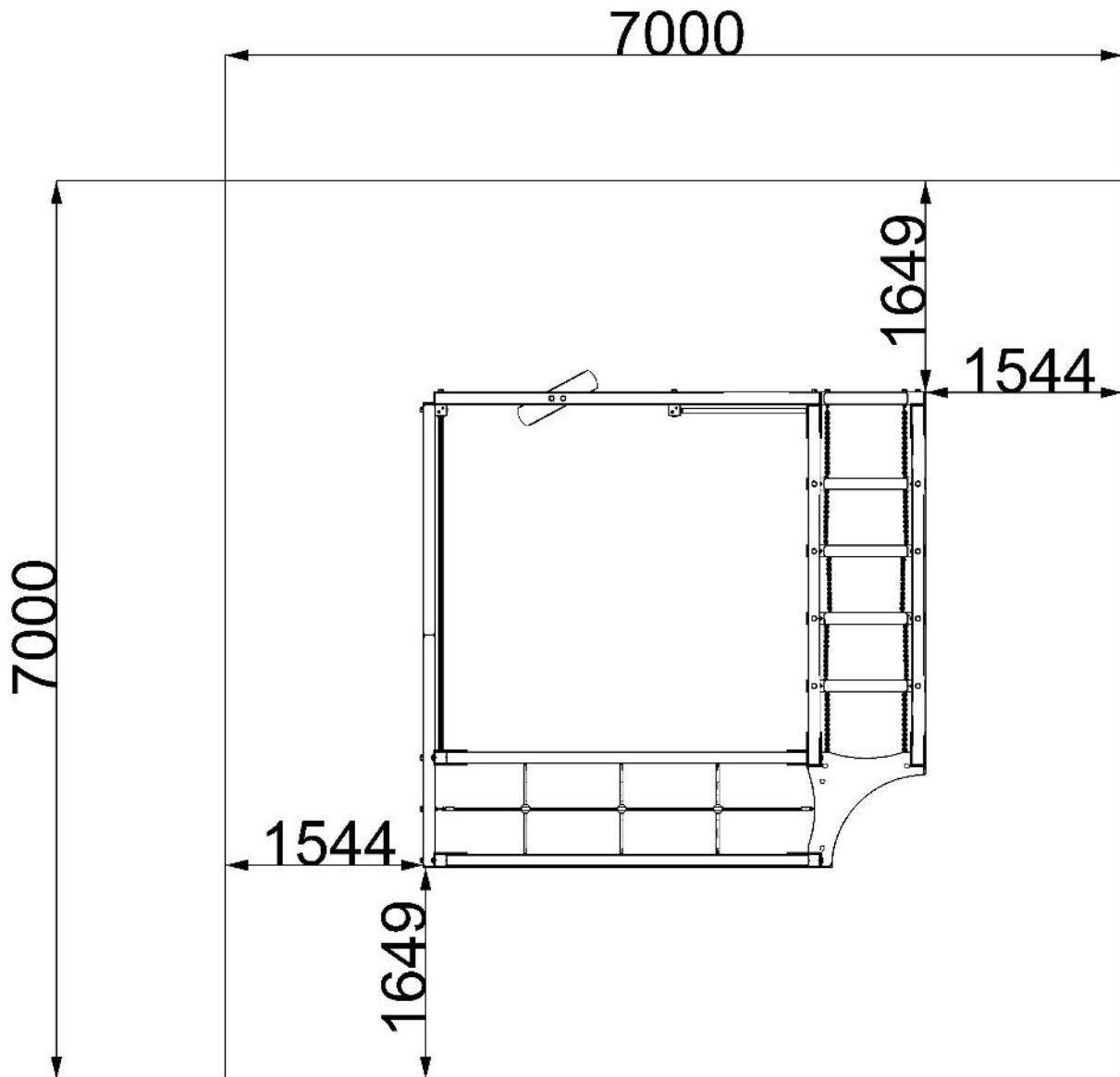
NOTES:

SMALL CIRCLES SHOWN ABOVE
ARE FOR TYRE CHAIN



Surfacing details

-  = MINIMUM SPACE
-  = SURFACING AREA



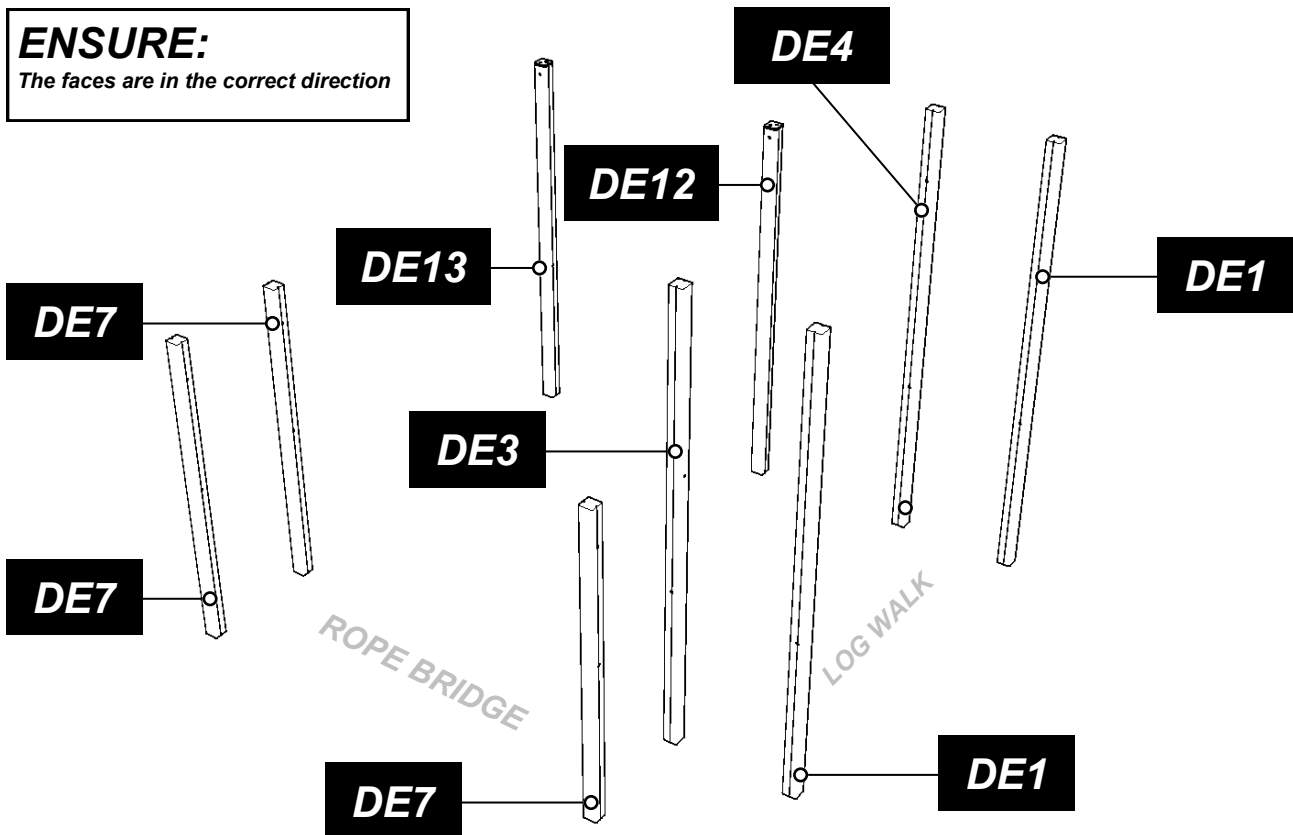
Assembly instructions

1

Install the timbers (DE1,DE3,DE4,DE7,DE12,DE13)

ENSURE:

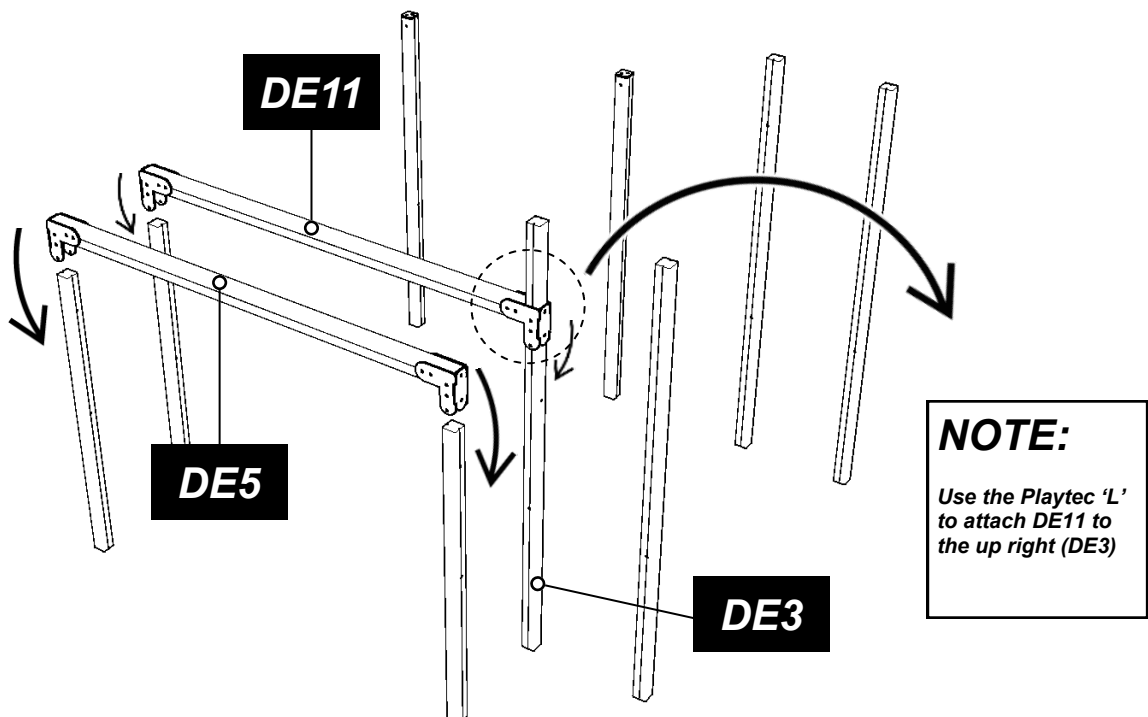
The faces are in the correct direction



2

Attach the PRE-ASSEMBLED TOP ROPE BRIDGE

Using FM80 BRASS SCREWS

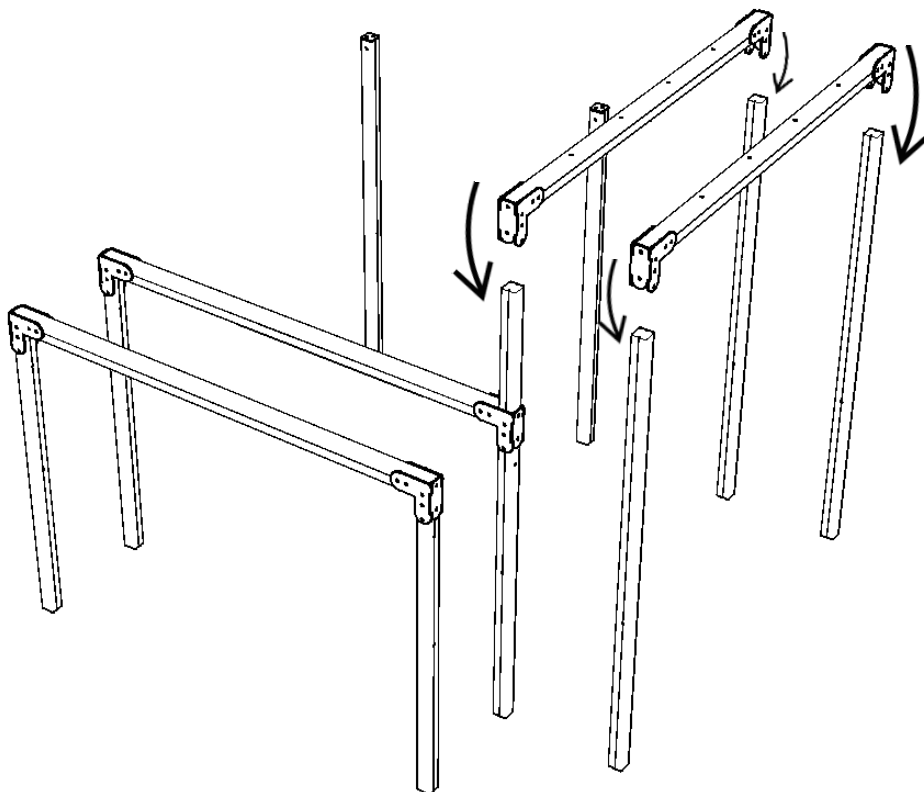


Assembly instructions

3

Attach the **PRE-ASSEMBLED TOP LOG WALK**

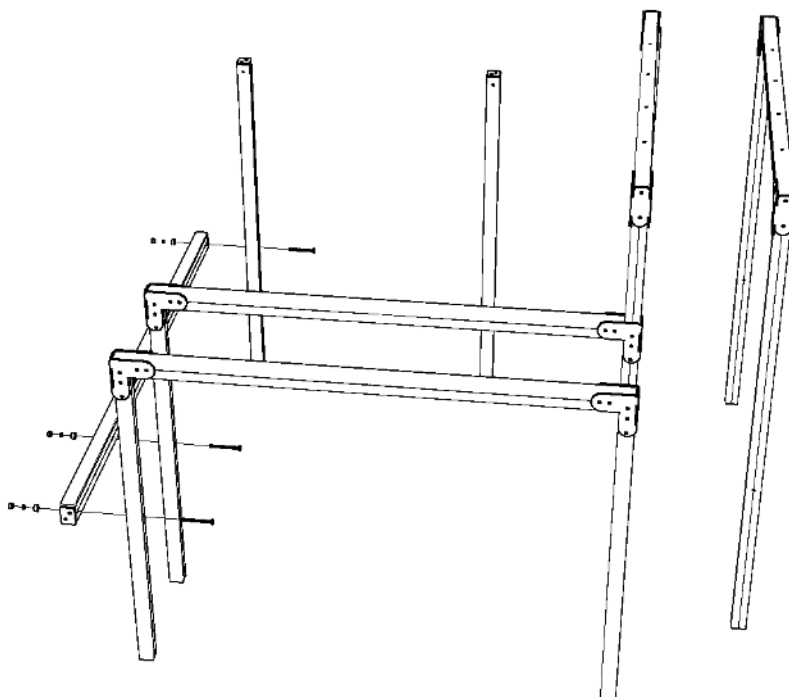
Using FM80 BRASS SCREWS



4

Attach the timber (DE8) to the timbers (DE7, DE7, DE13)

using M12 CUP SQUARE BOLTS / NYLOCS / END CAPS

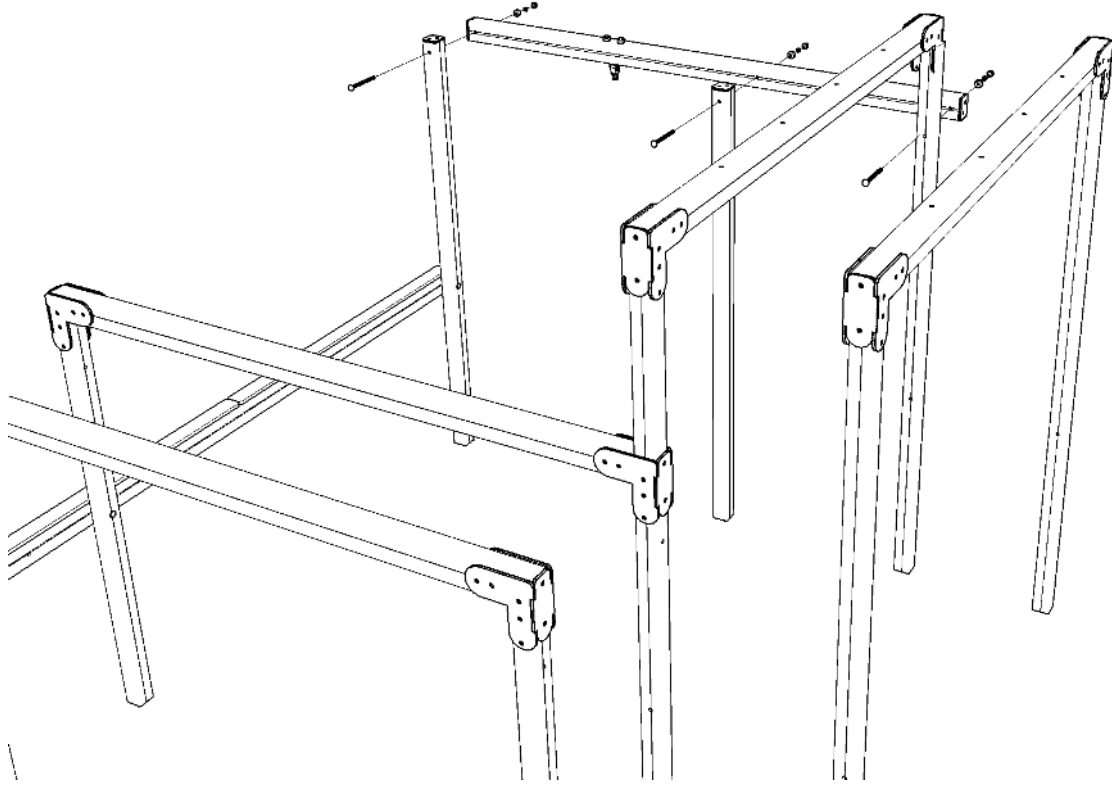


Assembly instructions

5

Attach the timber (DE6) to the timbers (DE4,DE12,DE13)

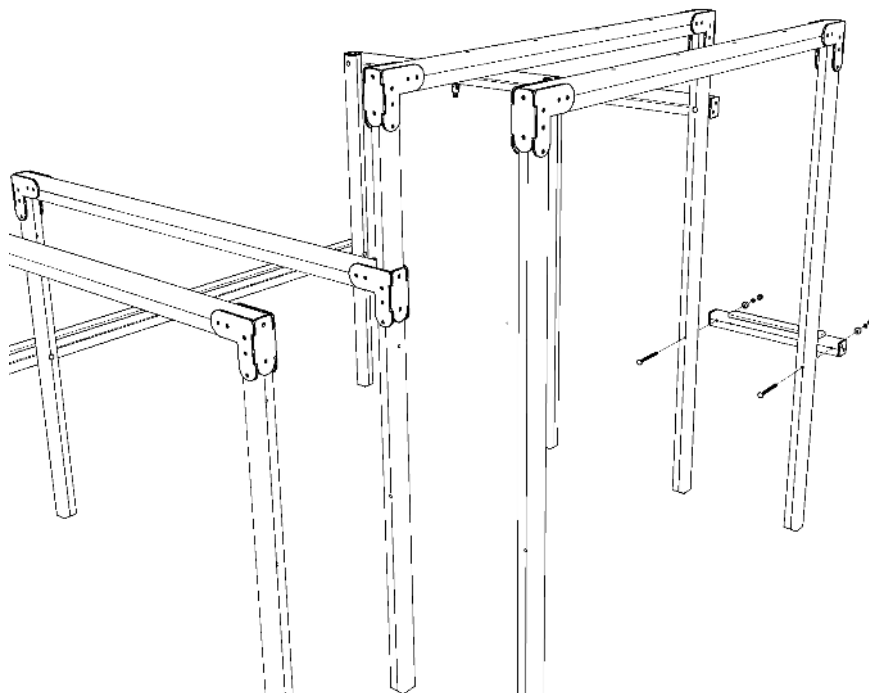
using M12 CUP SQUARE BOLTS / NYLOCS / END CAPS



6

Attach the timber (DE9) to the timbers (DE1,DE4)

using M12 CUP SQUARE BOLTS / NYLOCS / END CAPS

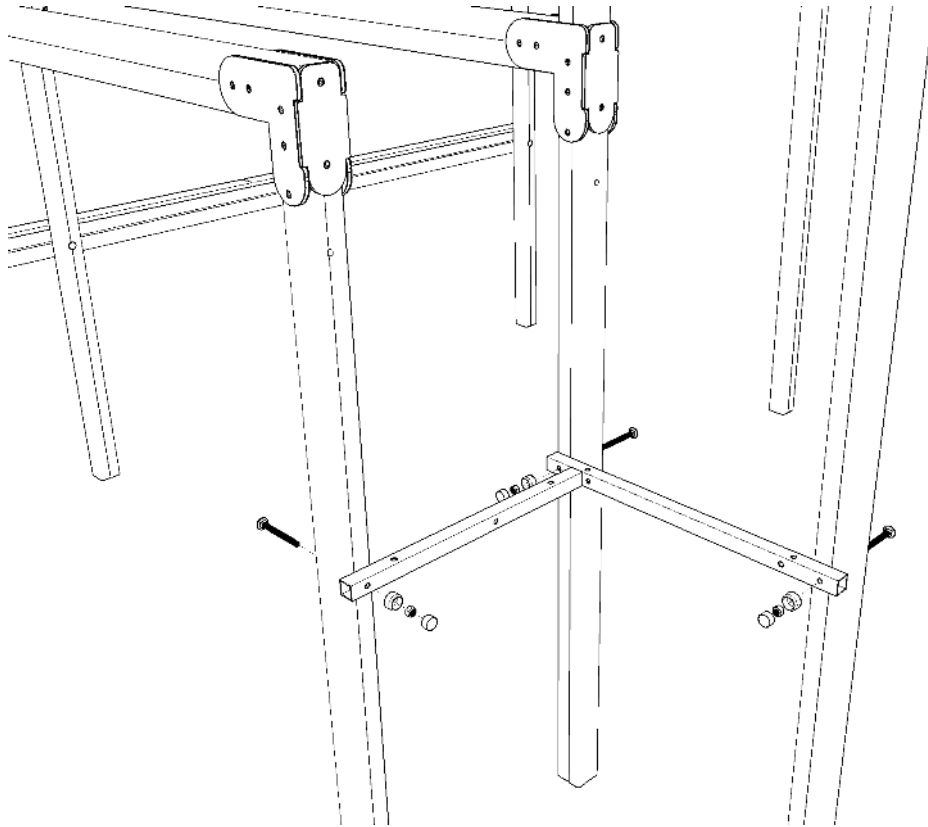


Assembly instructions

7

Attach the METALWORK to the timbers (DE1,DE3,DE7)

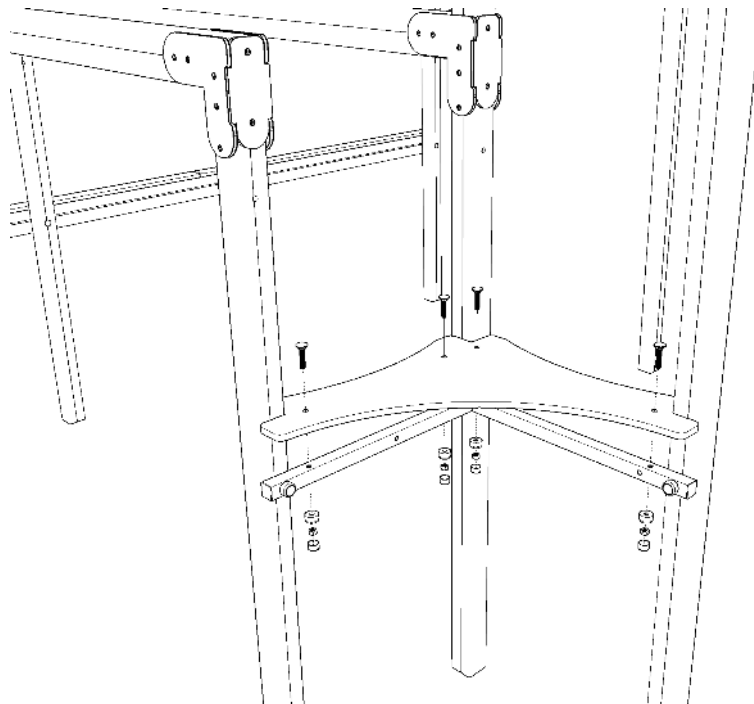
using M12 CUP SQUARE BOLTS / NYLOCS / END CAPS



8

Attach the FLOOR to the METALWORK

using M12 CUP SQUARE BOLTS / NYLOCS / END CAPS

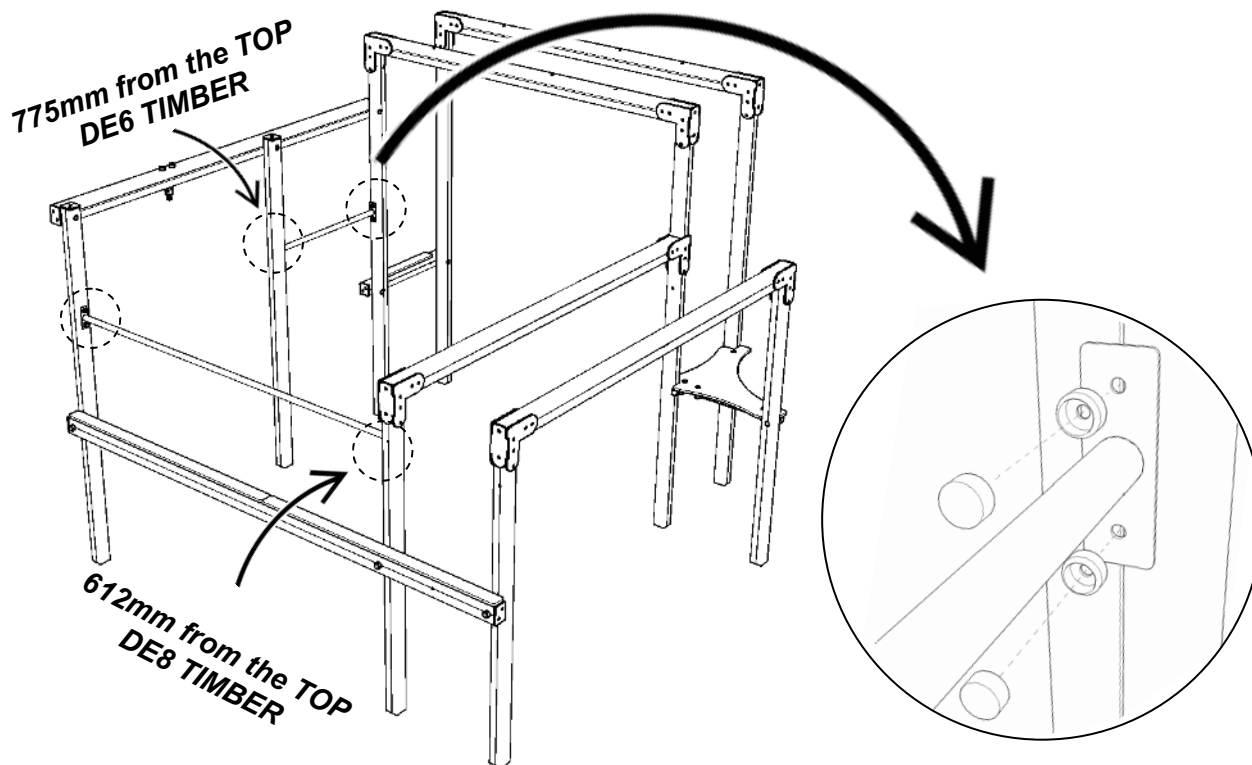


Assembly instructions

9

Attach the BARS to the Timbers (DE4-DE12)

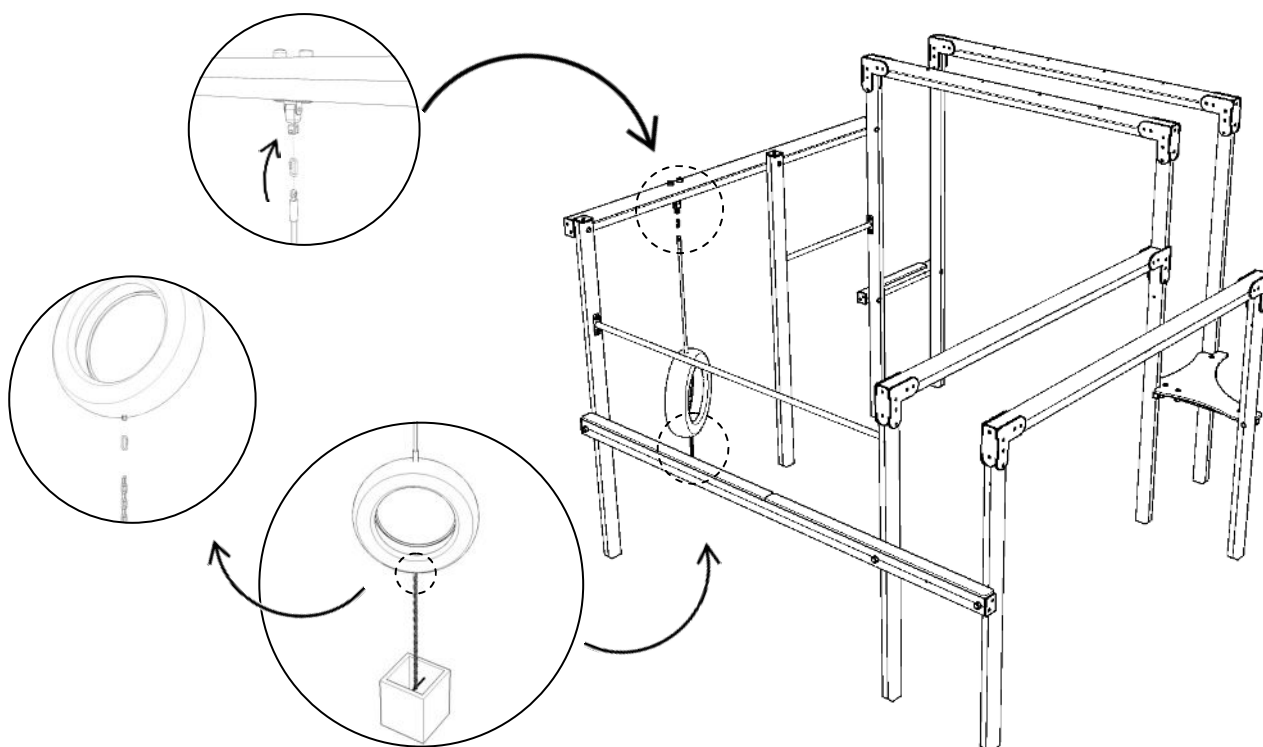
Using BRASS 'SCREWS'



10

Attach the TYRE - ROPE to the TOP PIECE (DEE5)

Use LOCK TIGHT to ensure the quick link remains CLOSED

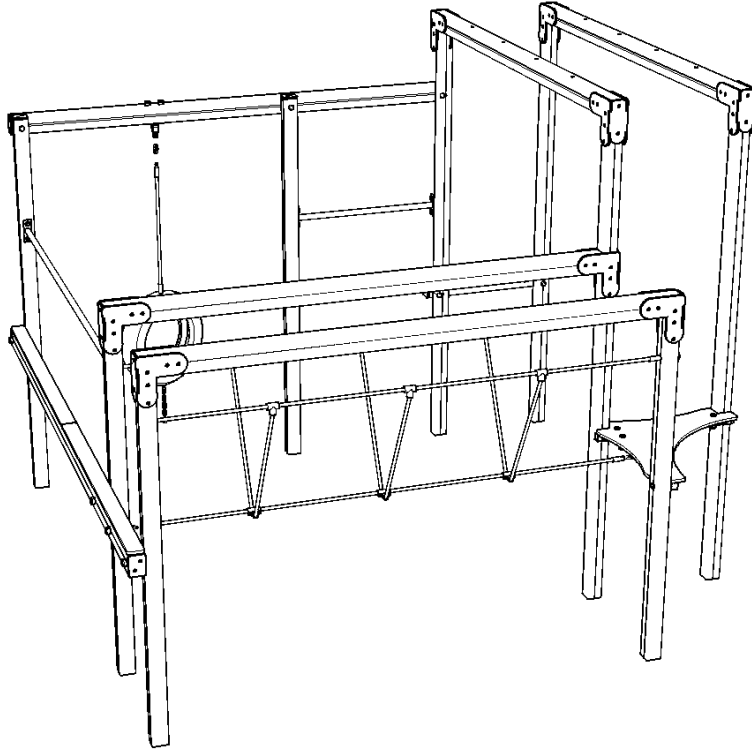


Assembly instructions

9

Attach the ROPE BRIDGE to the Timber and METALWORK

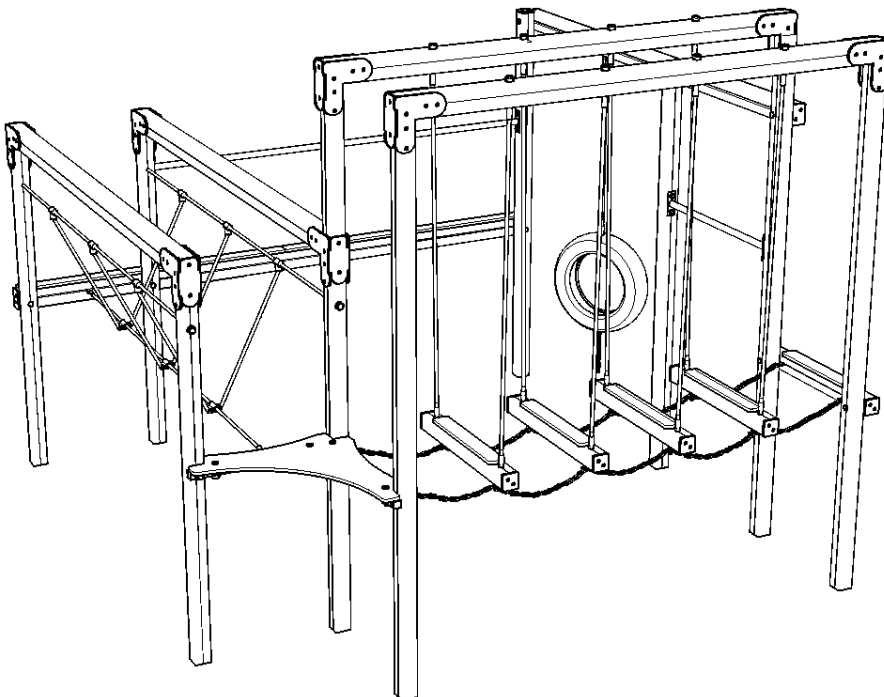
using NYLOCS / END CAPS



10

Attach the LOG WALK to the Timber and METALWORK

using NYLOCS / END CAPS



Additional dimensions

