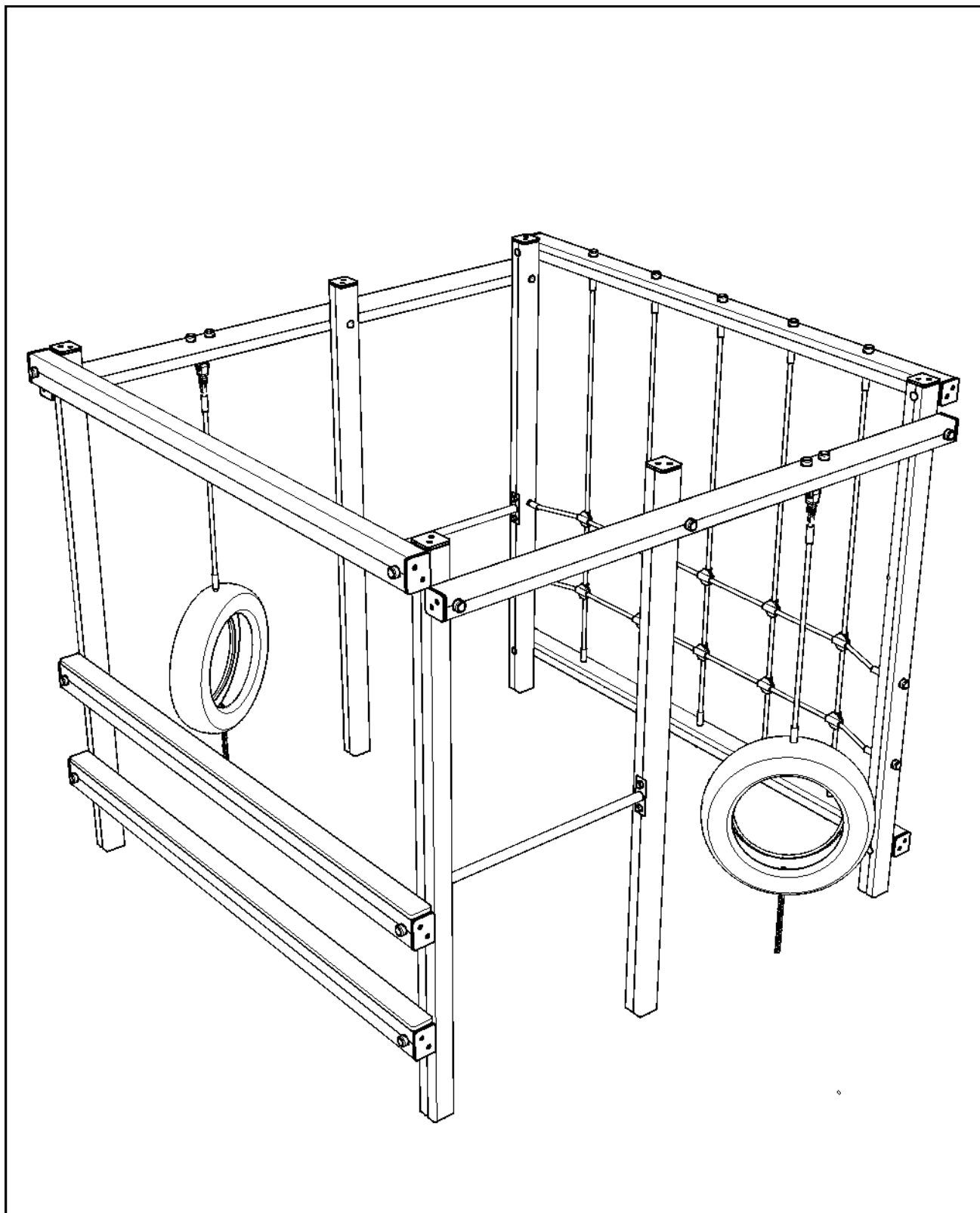


# **DEE CLIMBING FRAME**

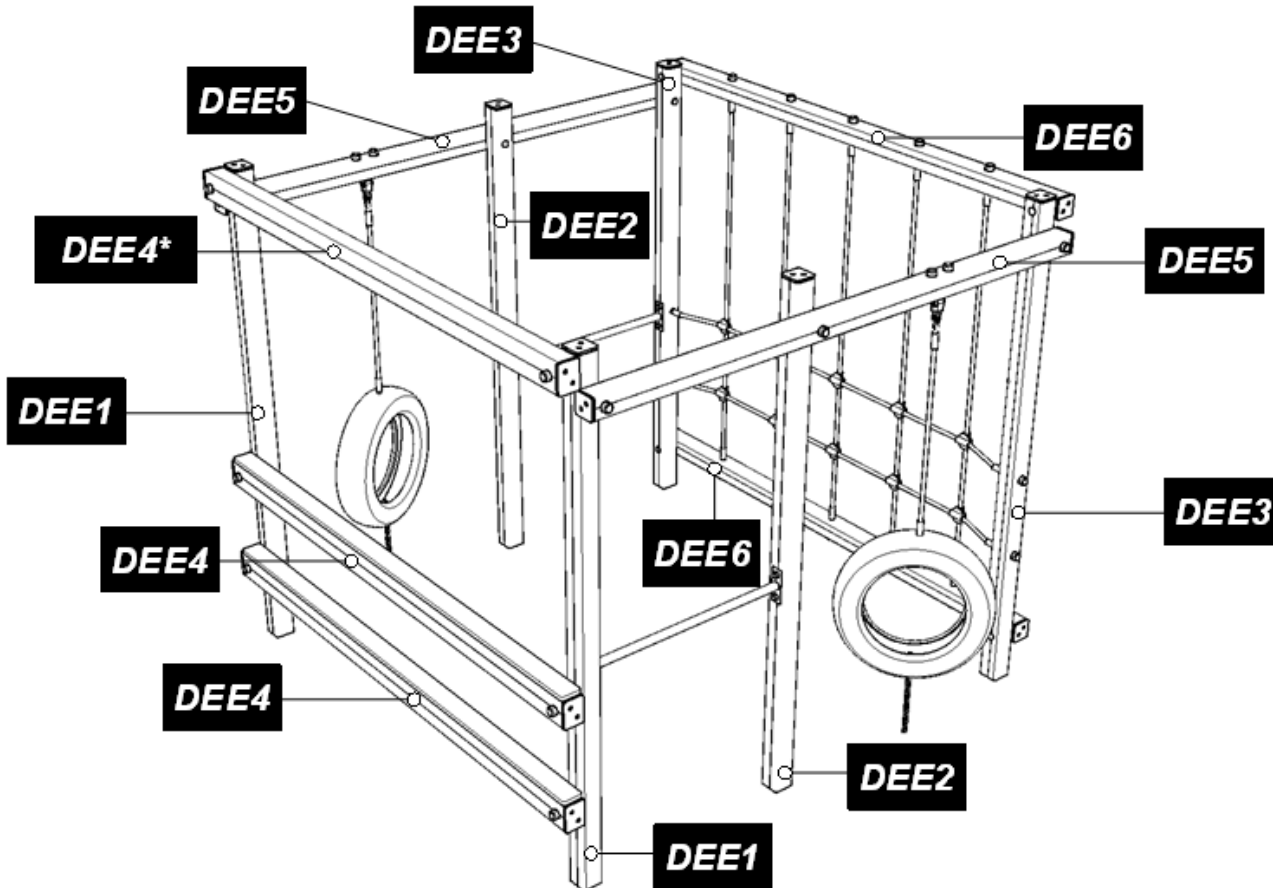
## **Installation Instructions**

**creative  
play**



# Parts required

## TIMBERS



**DEE1** QTY x 2  
(90mm x 90mm) 3000mm

**DEE2** QTY x 2  
(90mm x 90mm) 3000mm

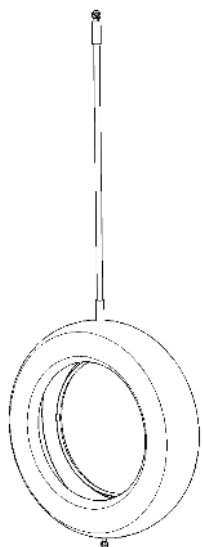
**DEE3** QTY x 2  
(90mm x 90mm) 3000mm

**DEE4** QTY x 3  
(120mm x 90mm) 2400mm

**DEE5** QTY x 2  
(90mm x 90mm) 2400mm  
Including swing hanger both

**DEE6** QTY x 2  
(90mm x 90mm) 2400mm

# Parts required



**X2** (PRE-ASSEMBLED TYRE ROPE)



**X16** (M12 x 200 square cup hex bolt)



**X8** (BLUE end caps)  
SMALLER CAPS



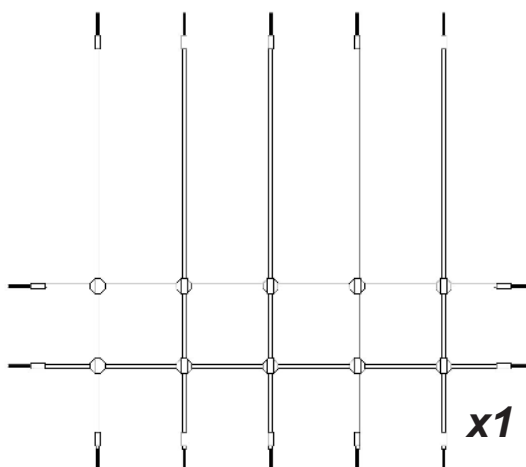
**X8** (FM80 'BRASS SCREW')



**X2** (Chain x 770mm  
Inc. thread bar /nylocs)



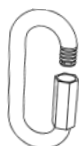
**X2** (905 STANDARD BAR)



**X1** (NET)



**X38** (end caps)



**X4** (QUICKLINK)

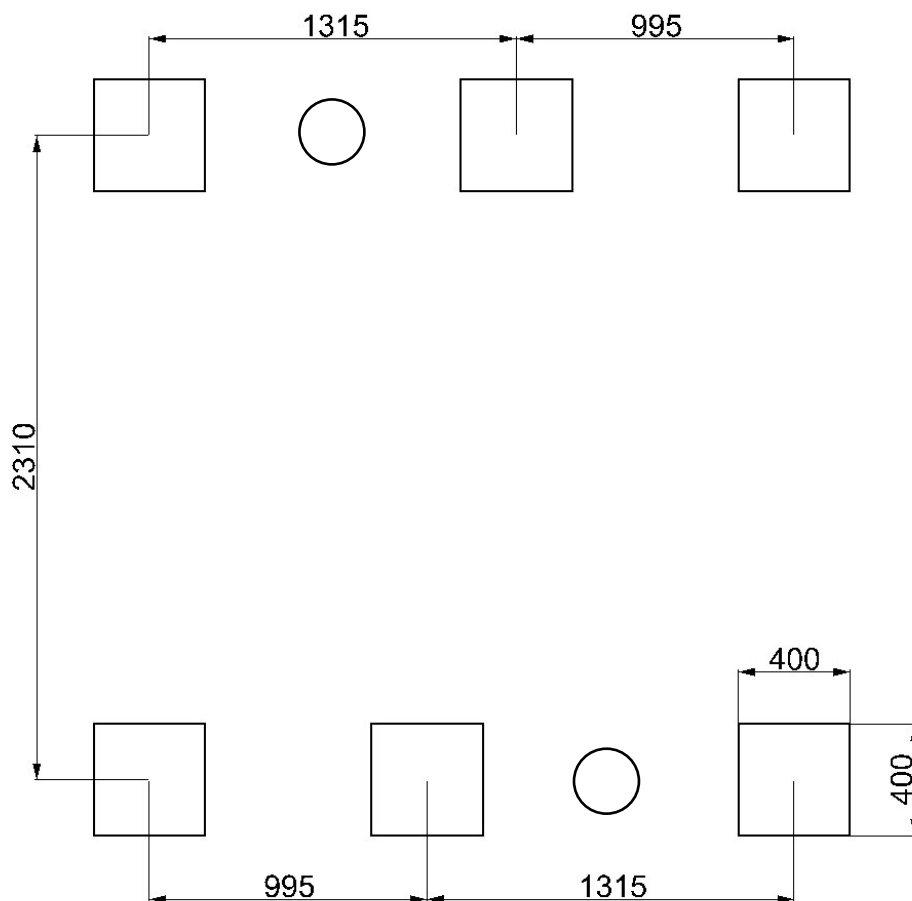


**X38** (M12 NYLOC)

# TOOLS required

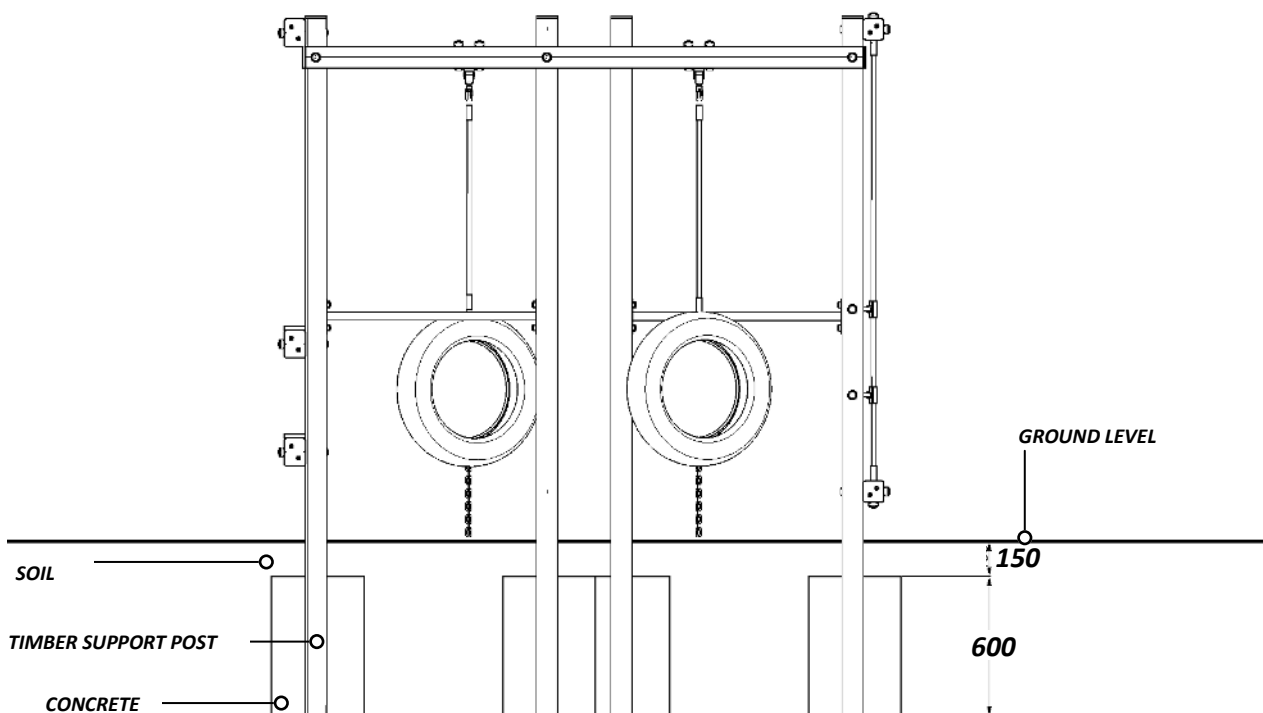


# Foundation details



## NOTES:

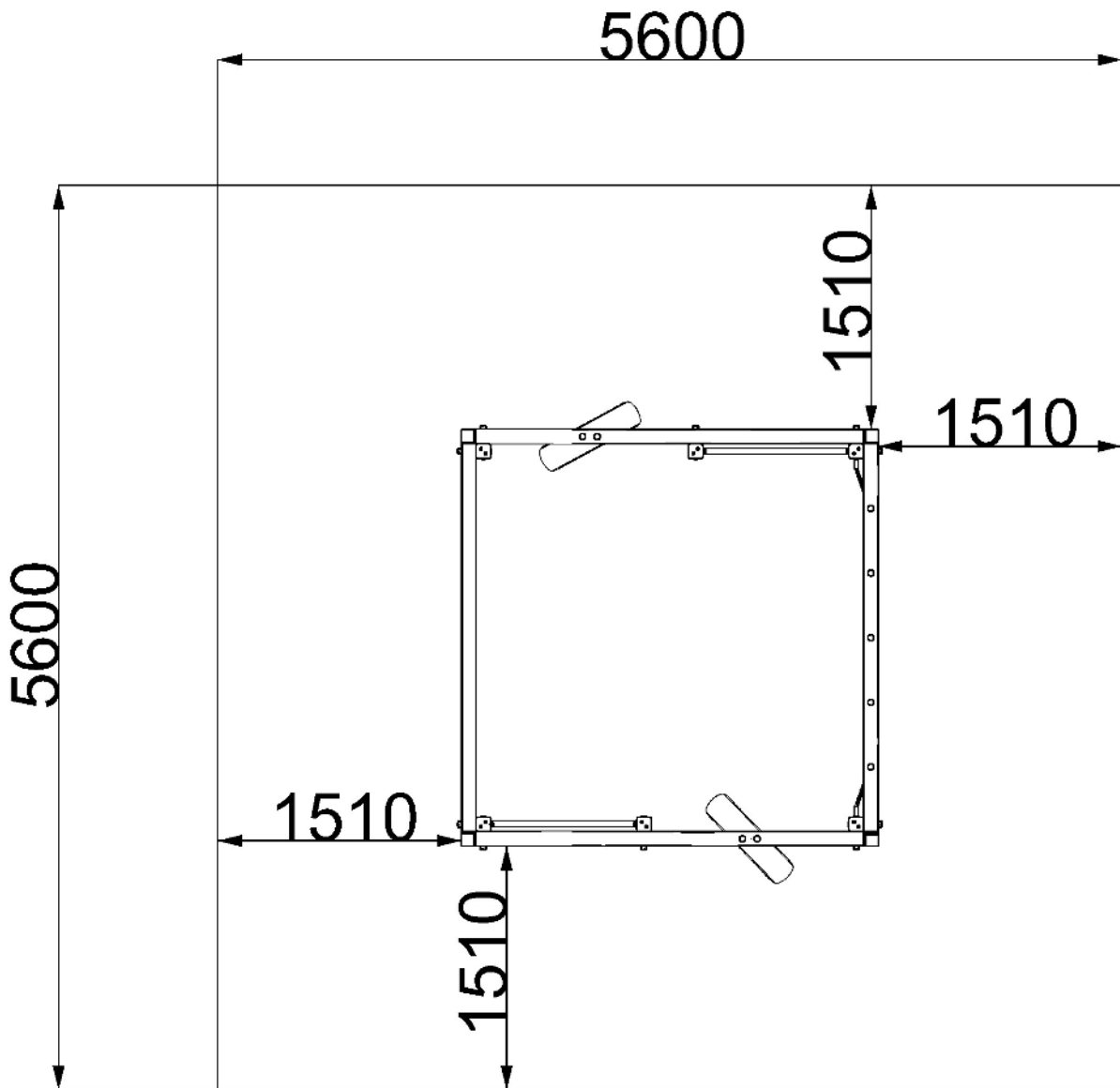
SMALL CIRCLES SHOWN ABOVE  
ARE FOR TYRE CHAIN



# Surfacing details

---

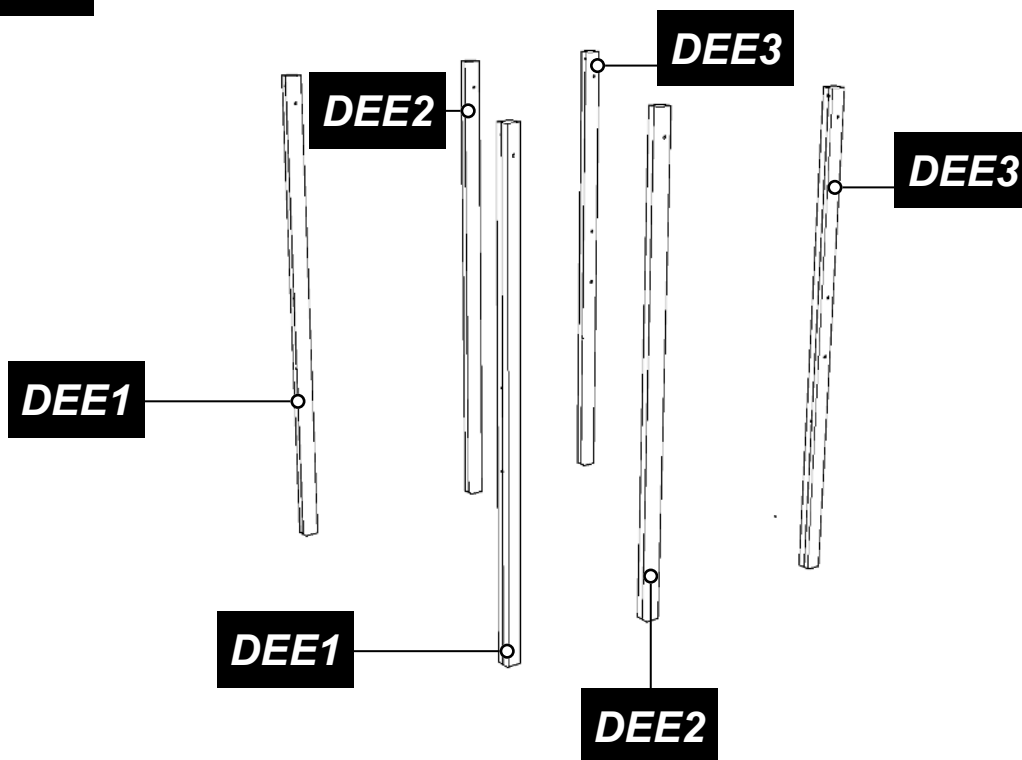
----- = MINIMUM SPACE  
————— = SURFACING AREA



# Assembly instructions

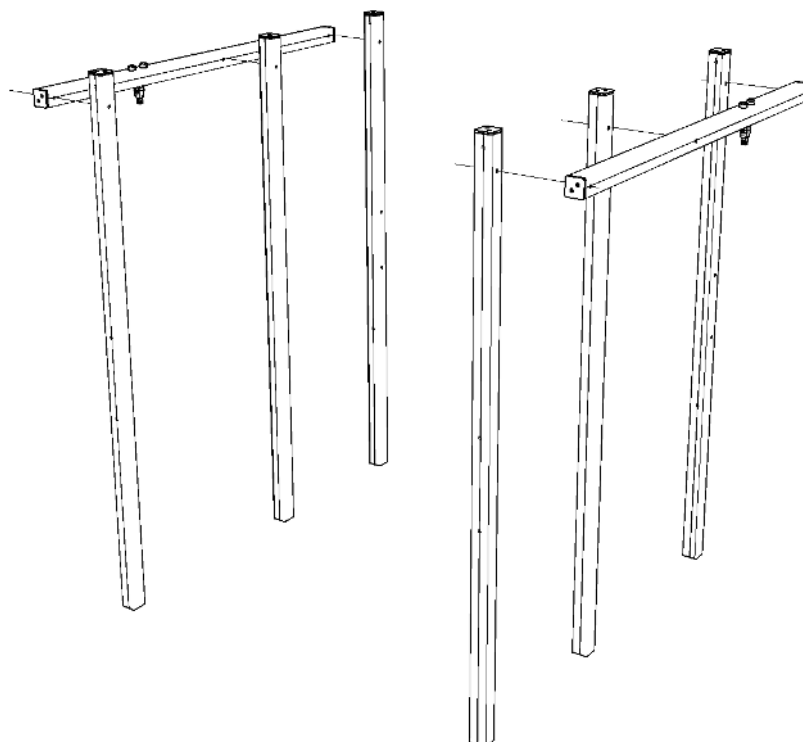
---

## 1 Install the timbers (DEE1,DEE2,DEE3)



## 2 Attach the Timber (DEE5) to the Timbers (DEE1,DEE2,DEE3)

Using M12 CUP SQUARE BOLTS / NYLOCS / END CAPS

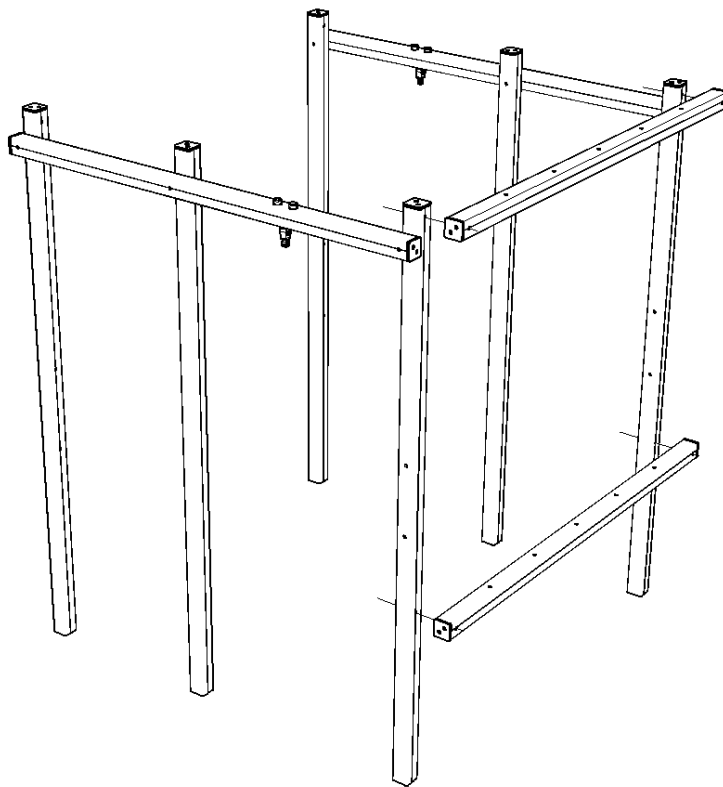


# Assembly instructions

**3**

**Attach the Timber (DEE9) to the Timbers (DEE3)**

Using M12 CUP SQUARE BOLTS / NYLOCS / END CAPS

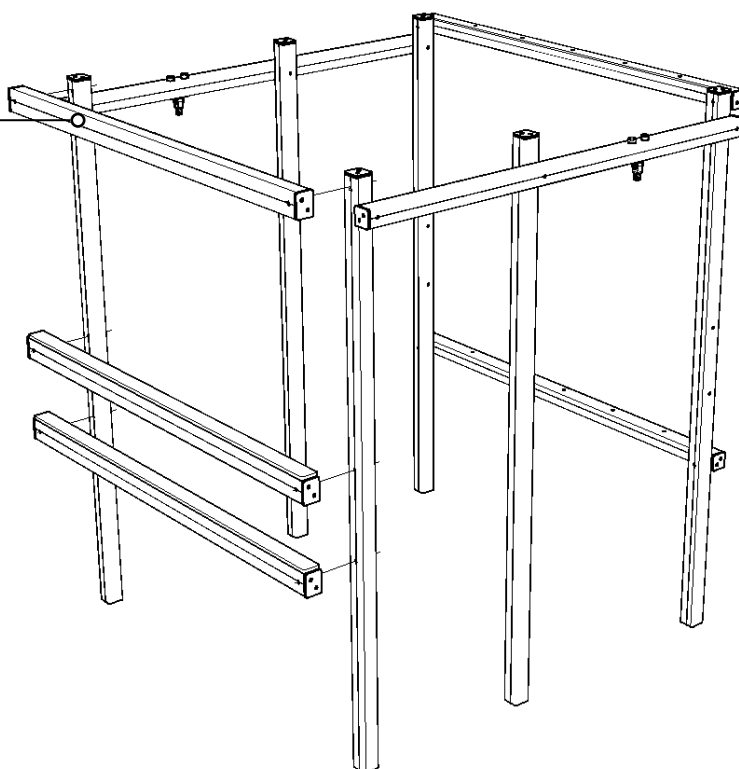


**4**

**Attach the Timber (DEE4) to the Timbers (DEE1)**

Using M12 CUP SQUARE BOLTS / NYLOCS / END CAPS

**WITHOUT SLAT**

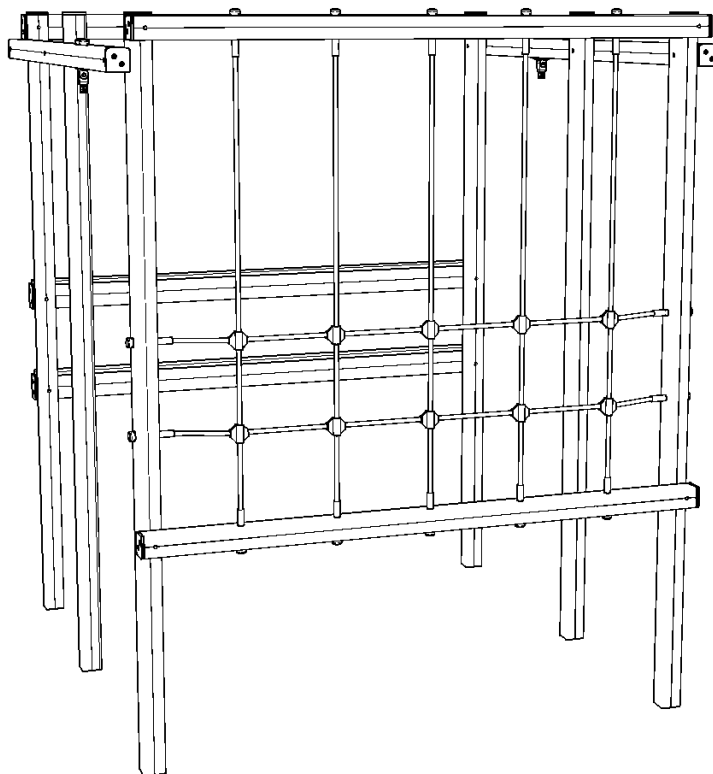


# Assembly instructions

**5**

**Attach the NET to the Timbers (DEE4,DEE9)**

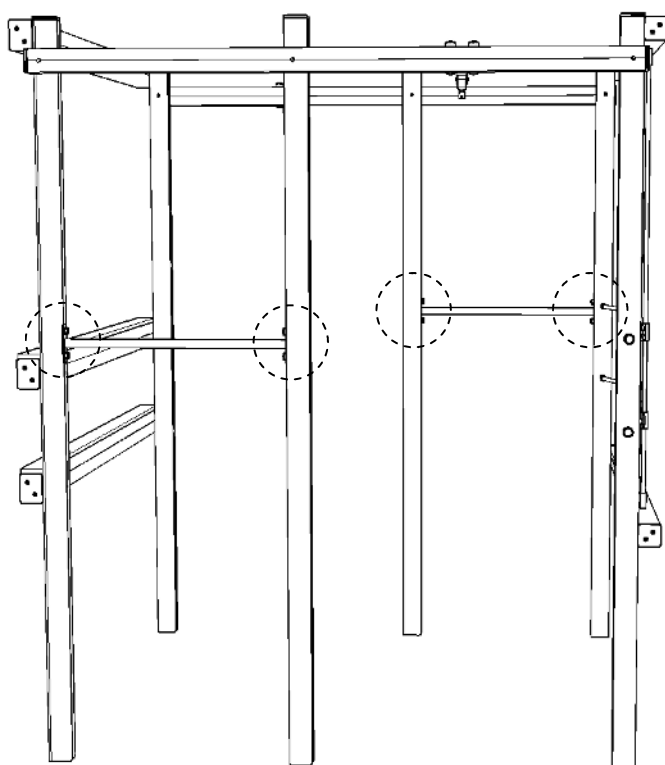
Using NYLOCS / END CAPS



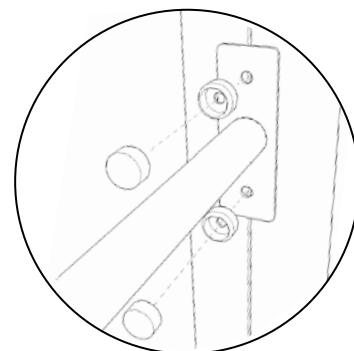
**6**

**Attach the BARS to the Timbers (DEE1-DEE2,DEE2-DEE3)**

Using BRASS 'SCREWS'



1085mm from the TOP  
DE5 TIMBER



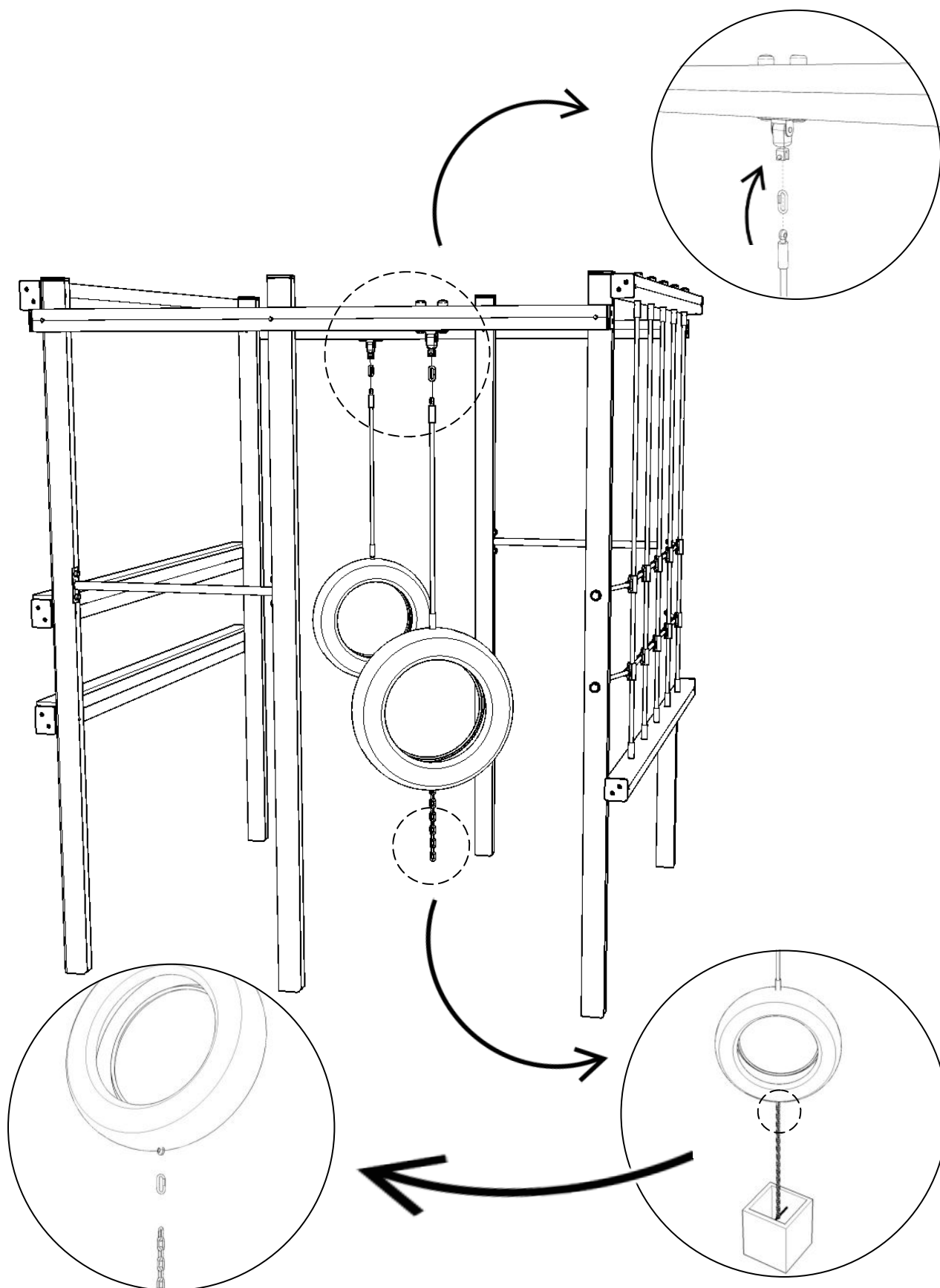


# Assembly instructions

7

**Attach the TYRE - ROPE to the TOP PIECE (DEE5)**

Use **LOCK TIGHT** to ensure the quick link remains **CLOSED**



# Additional dimensions

