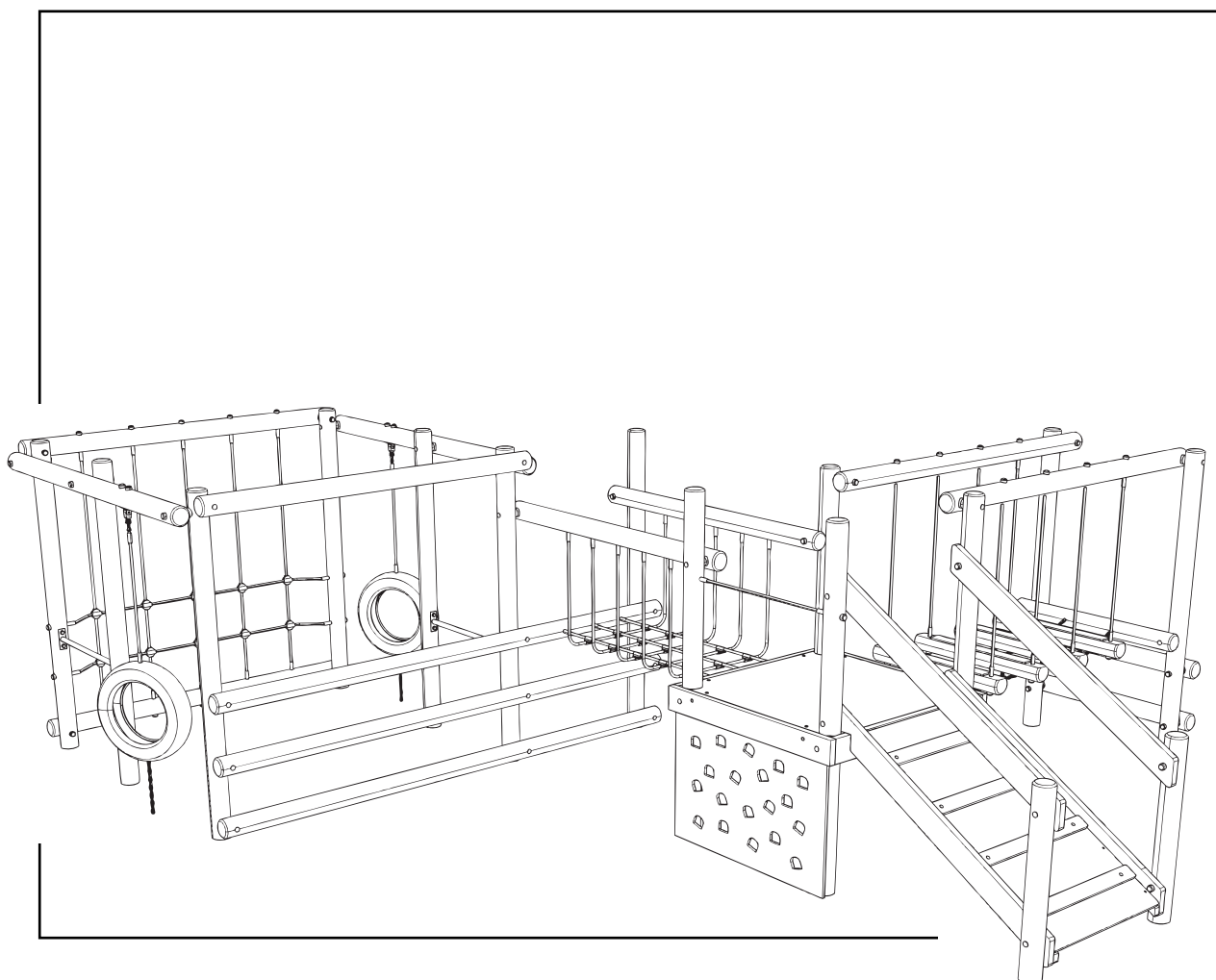


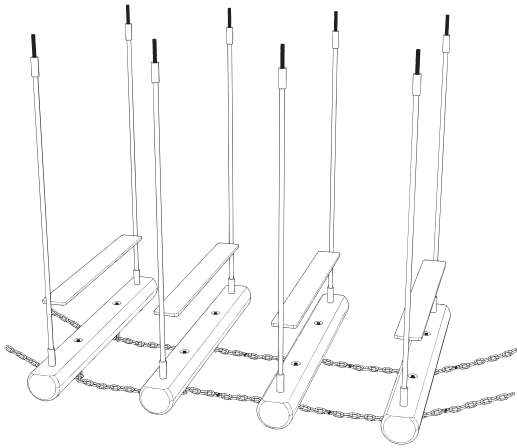
# **DART ACTIVITY CENTRE ROUND**

## ***Installation Instructions***

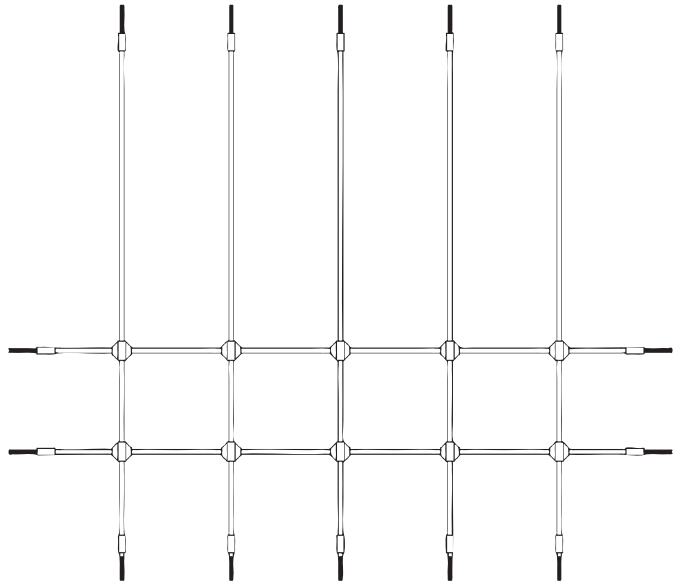
**creative  
play**



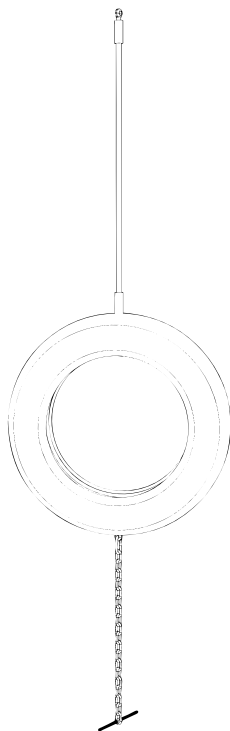
# PARTS required



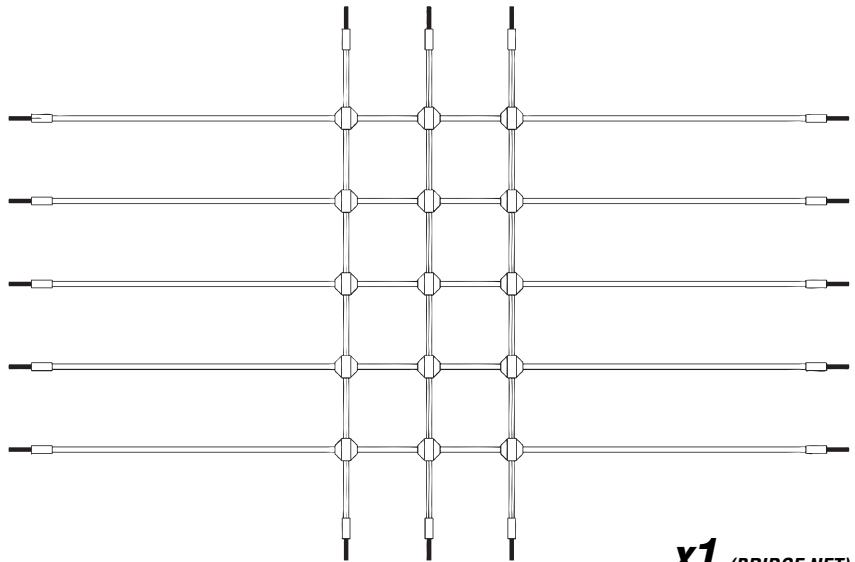
**x1** (LOG WALK)



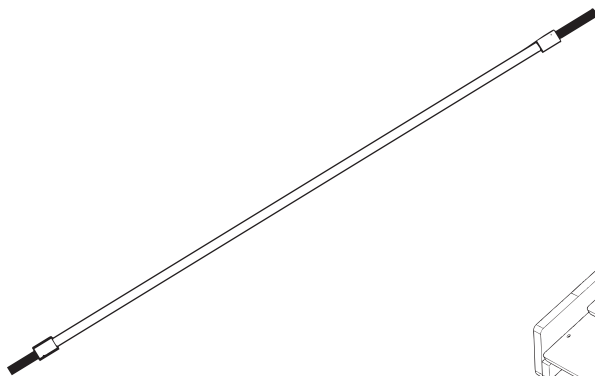
**x1** (NET)



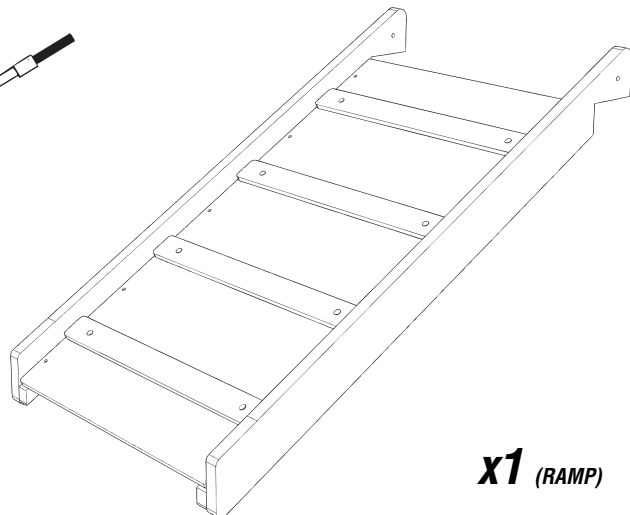
**x2** (TYRE + ROPE + CHAIN)



**x1** (BRIDGE NET)

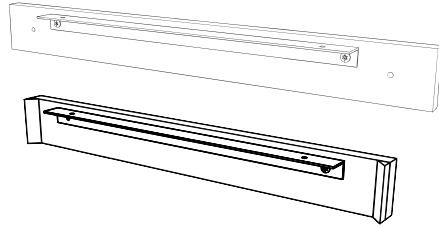


**x1** (R7 - ROPE)



**x1** (RAMP)

# PARTS required

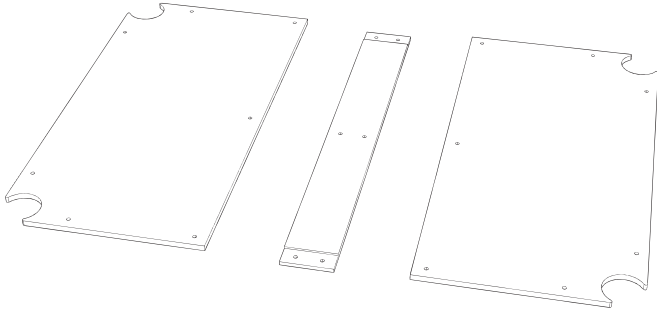


**x1** (SLIDE SIDE PANEL)

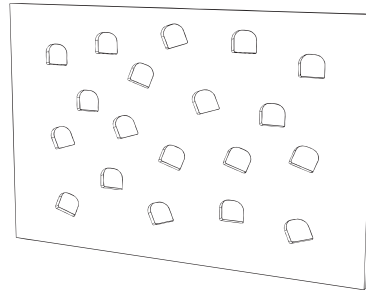
**x1** (BRIDGE NET SIDE PANEL)

**x1** (LOG WALK SIDE PANEL)

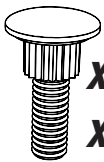
**x1** (RAMP SIDE PANEL)



**x1** (Hexboard Floor)



**x1** (CLIMBING Panel)



**x8** (3B - TORKTAINER)

**x6** (4B - TORKTAINER)



**x8** (N1 - TORKTAINER)

**x6** (N3 - TORKTAINER)



**x4** (M12 x 140 Square Cup HEX bolt)

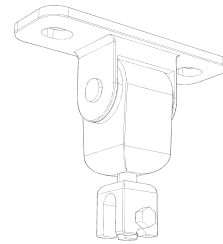
**x4** (M12 x 180 Square Cup HEX bolt)

**x10** (M12 x 190 Square Cup HEX bolt)

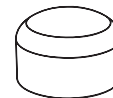
**x40** (M12 x 300 Square Cup HEX bolt)



**x10** (FM80 'Brass screws')



**x2** (Swing Hanger)



**x14** (end caps)



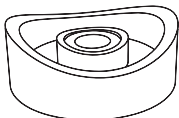
**x8** (M8 Plastic Cover)



**x88** (end caps R60)

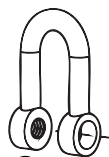


**x4** (small caps blue)

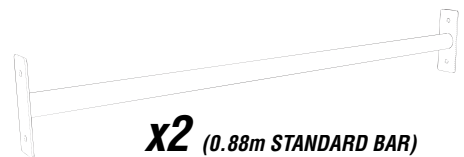


**x50** (120 Distance piece)

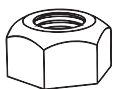
120 label is shown on the inside



**x2** (D-Shackle)



**x2** (0.88m STANDARD BAR)



**x101** (M12 'NYLOC')

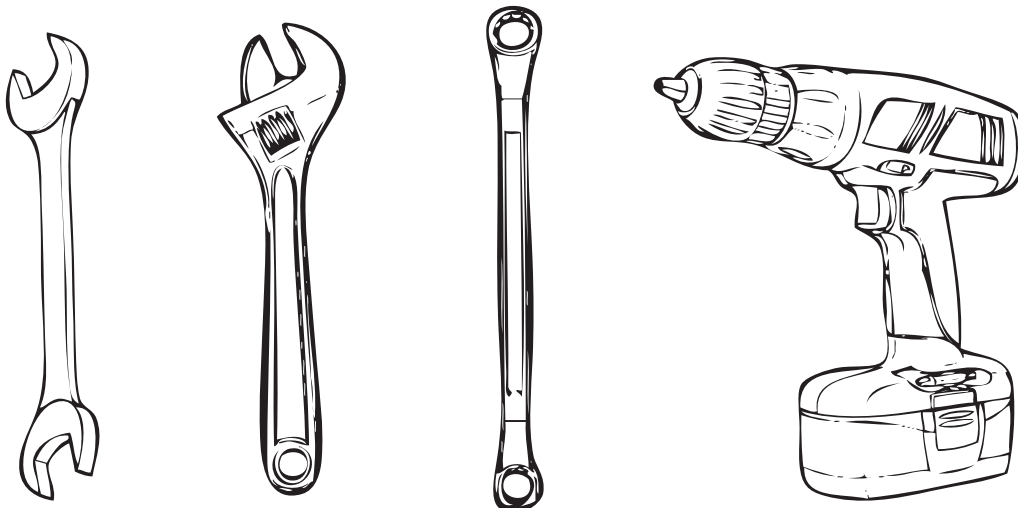
# TIMBERS required



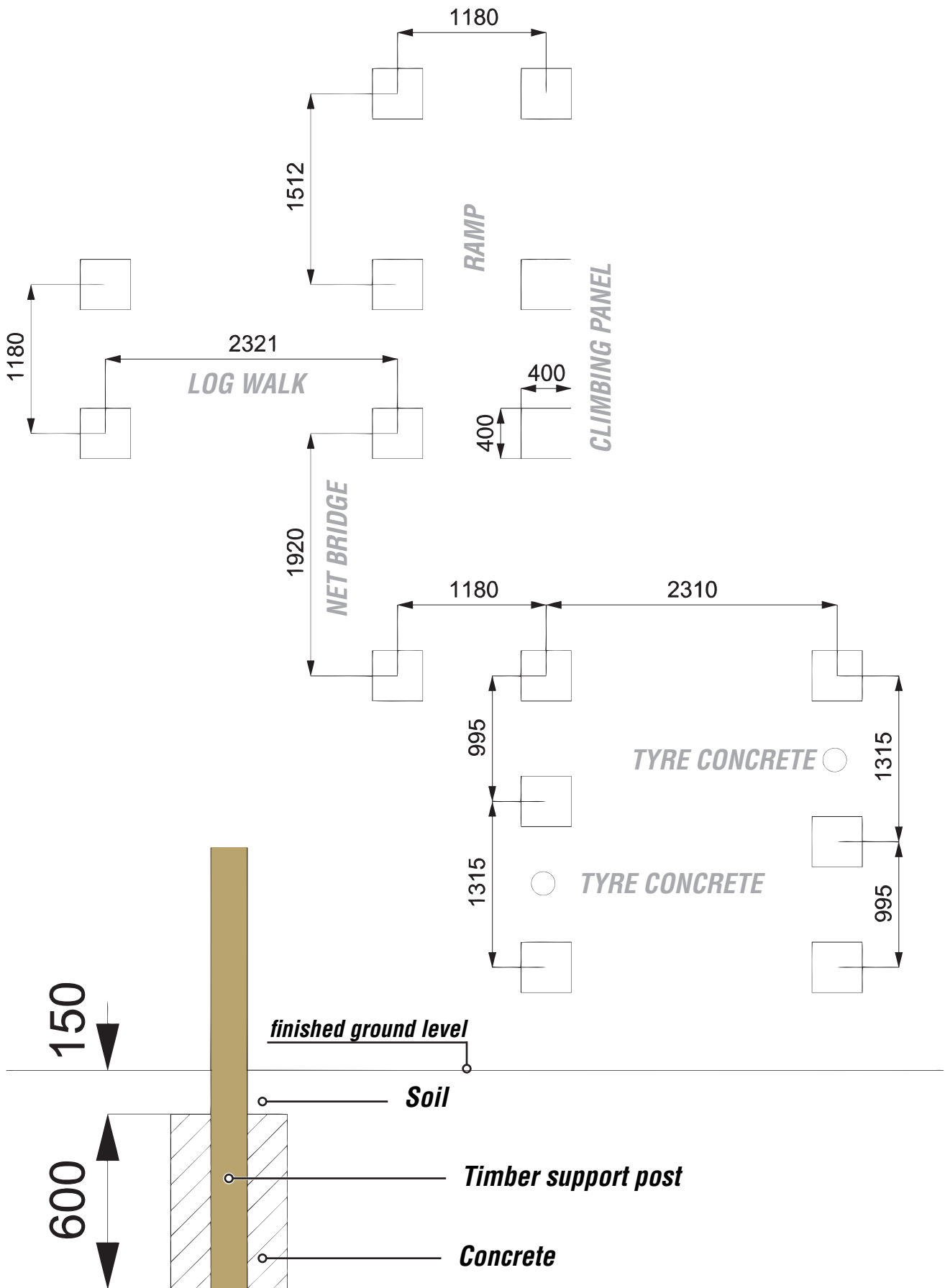
CODE	TYPE	SIZE mm	QTY
CF101Ra	Ø 125mm	3000	1
CF101Rc	Ø 125mm	3000	2
CF101Rd	Ø 125mm	3000	1
CF101Re	Ø 125mm	3000	1
CF101Rf	Ø 125mm	2460	2
CF101Rg	Ø 125mm	2460	1
CF101Rh	Ø 125mm	2460	2
AC101Ra	Ø 125mm	3000	1
AC101Rb	Ø 125mm	3000	1
AC101Rc	Ø 125mm	3640	3
AC101Rd	Ø 125mm	2070	2
AC111Ra	Ø 125mm	3000	1
AC101Rf	Ø 125mm	3000	1
AC111Rb	Ø 125mm	3000	1
AC101Rh	Ø 125mm	3000	1
AC101Ri	Ø 125mm	2470	1
AC101Rj	Ø 125mm	3000	2
AC101Rk	Ø 125mm	1330	1
AC101Rl	Ø 125mm	1330	2
AC101Rn	Ø 125mm	1871	2

CODE	TYPE	SIZE mm	QTY
CF101Rs	156x43mm	1951	2

# TOOLS required

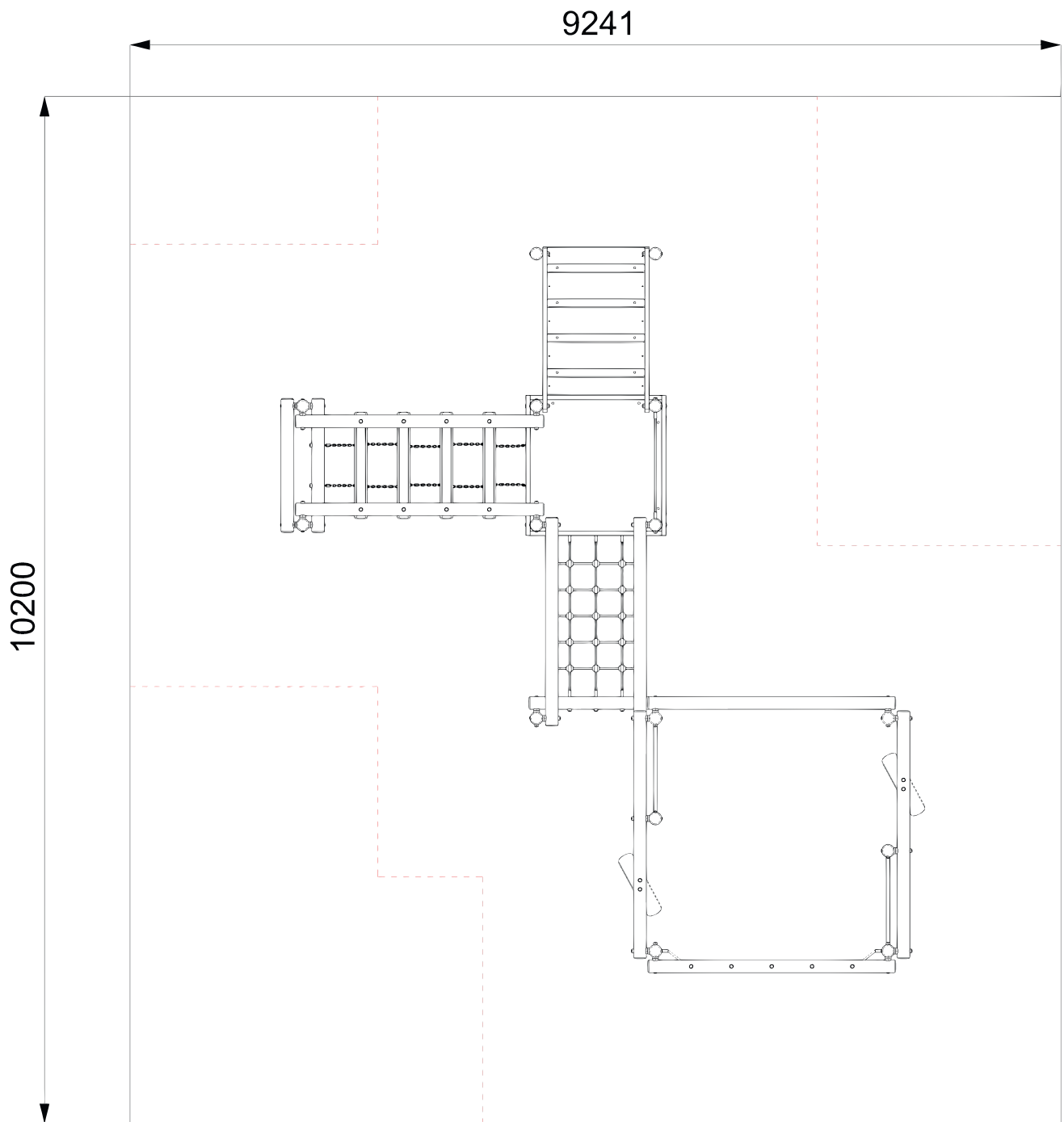


# Foundation Details



# Surfacing Details

- - - = MINIMUM SPACE
- = SURFACE AREA

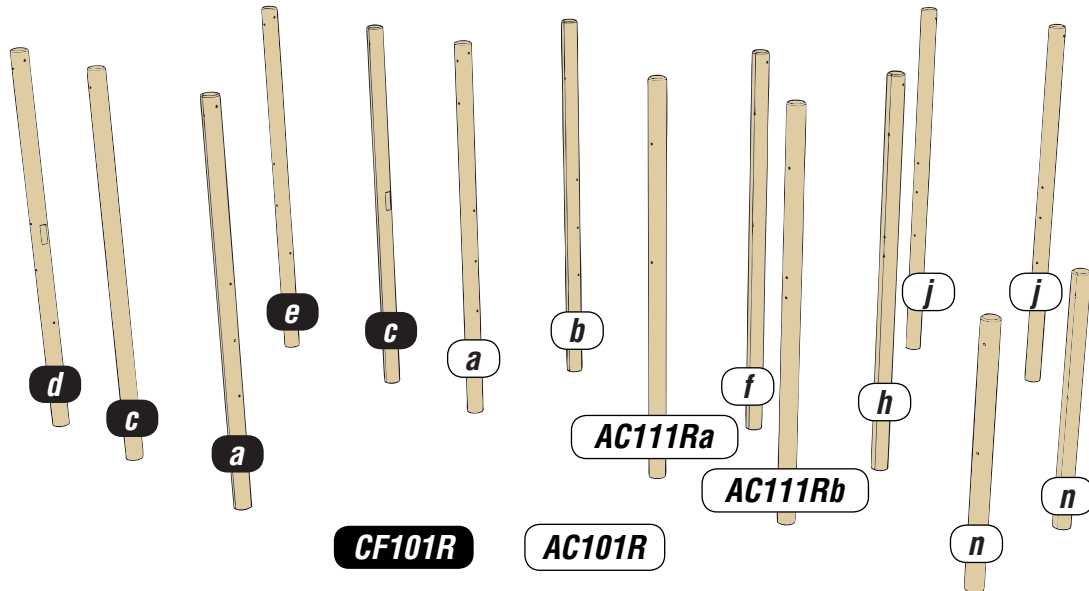


# Installation Instructions

1

**Install the UPRIGHTS CF101Ra/c/d/e & AC101Ra/c/d/e & AC111Ra/b**

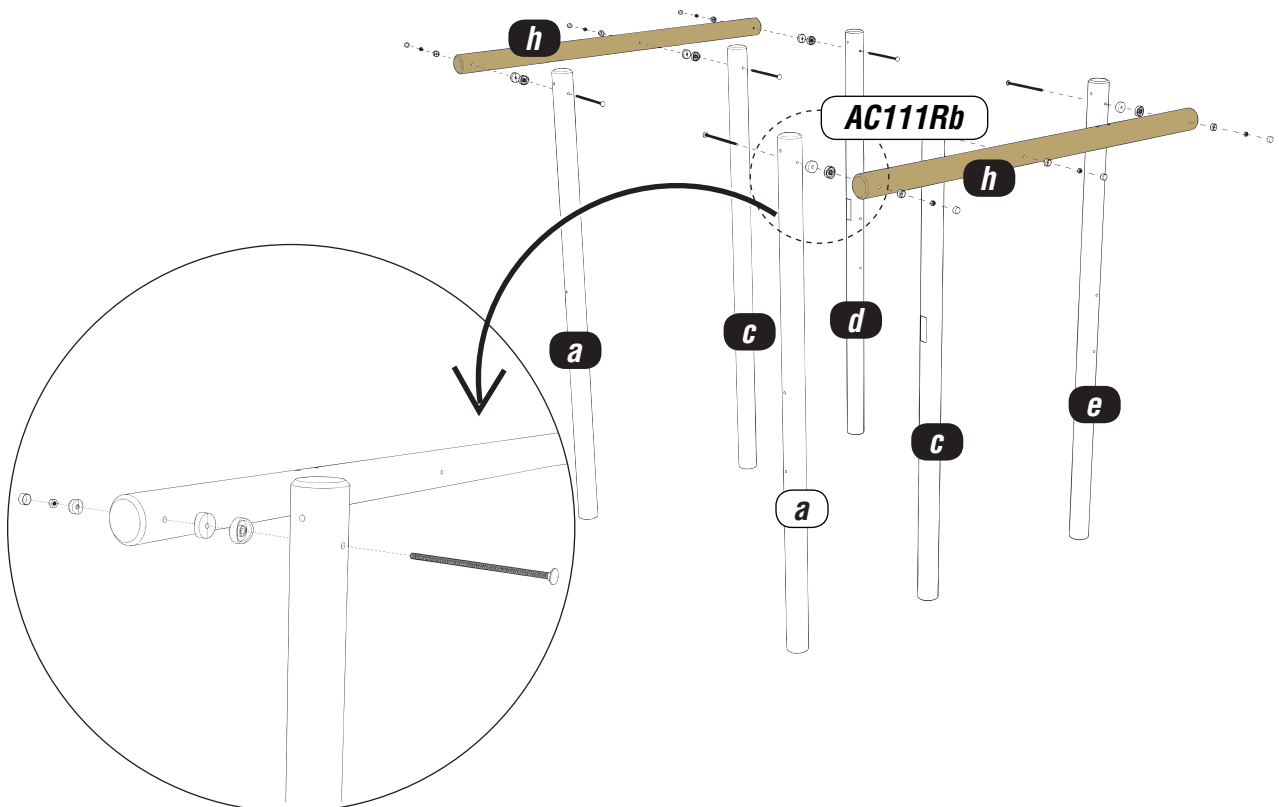
Follow Foundation details



2

**Attach the Timber CF101Rh to the Timbers CF101Ra/b/c/d/e AC101Ra**

Using 12x 120 Distance piece/ 6x @300mm M12 SQUARE CUP HEX BOLTS / 6x NYLOCS / 6x END CAPS R60

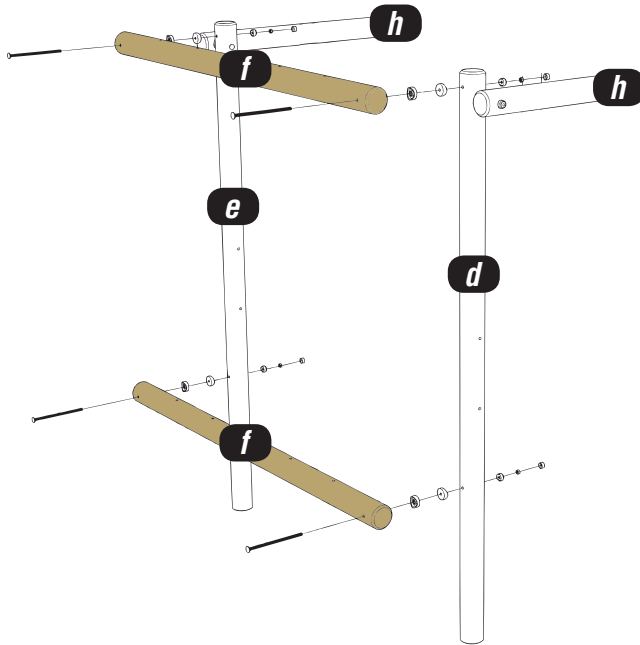


# Installation Instructions

**3**

## Attach the Timber CF101Rf to the Timbers CF101Rd/e

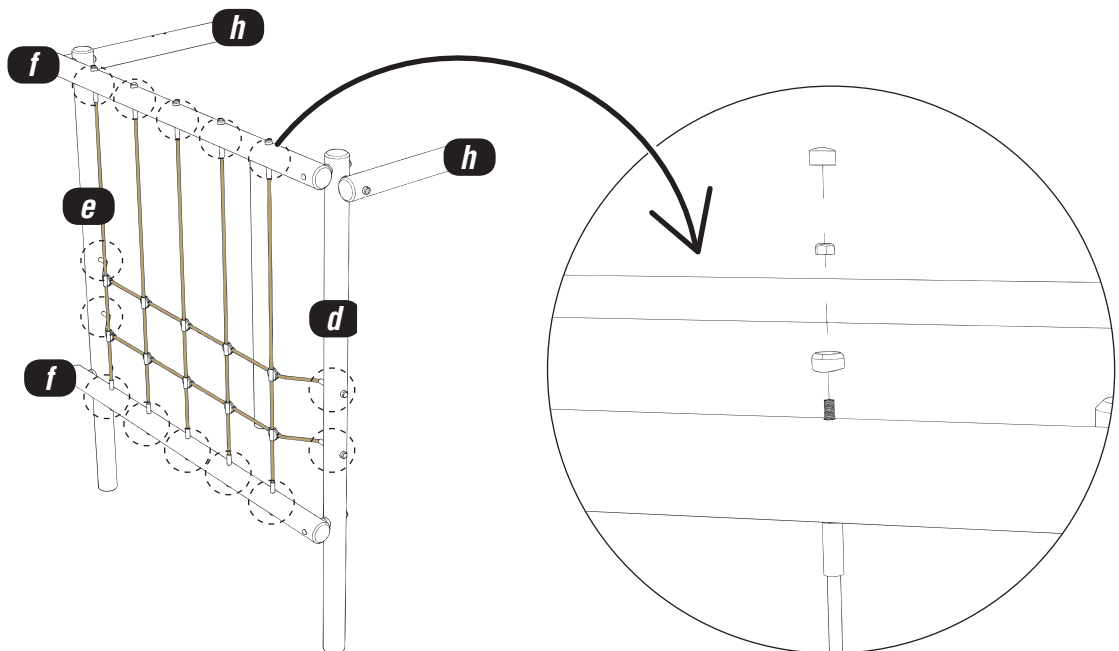
Using 8x 120 Distance piece / 4x @300mm M12 SQUARE CUP HEX BOLTS / 4x NYLOCS / 4x END CAPS R60



**4**

## Attach NET to the Timbers CF101Rd/e/f

Using 14x NYLOCS / 14x END CAPS R60



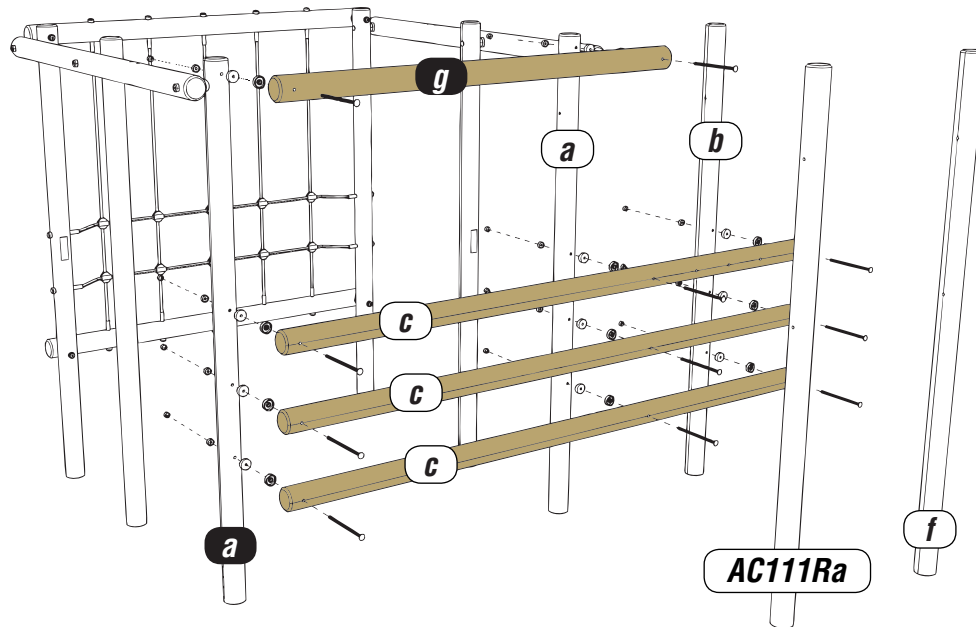


# Installation Instructions

**5**

**Attach the Timber CF101Rg and AC101Rc to the Timbers CF101Ra and AC101Ra/b**

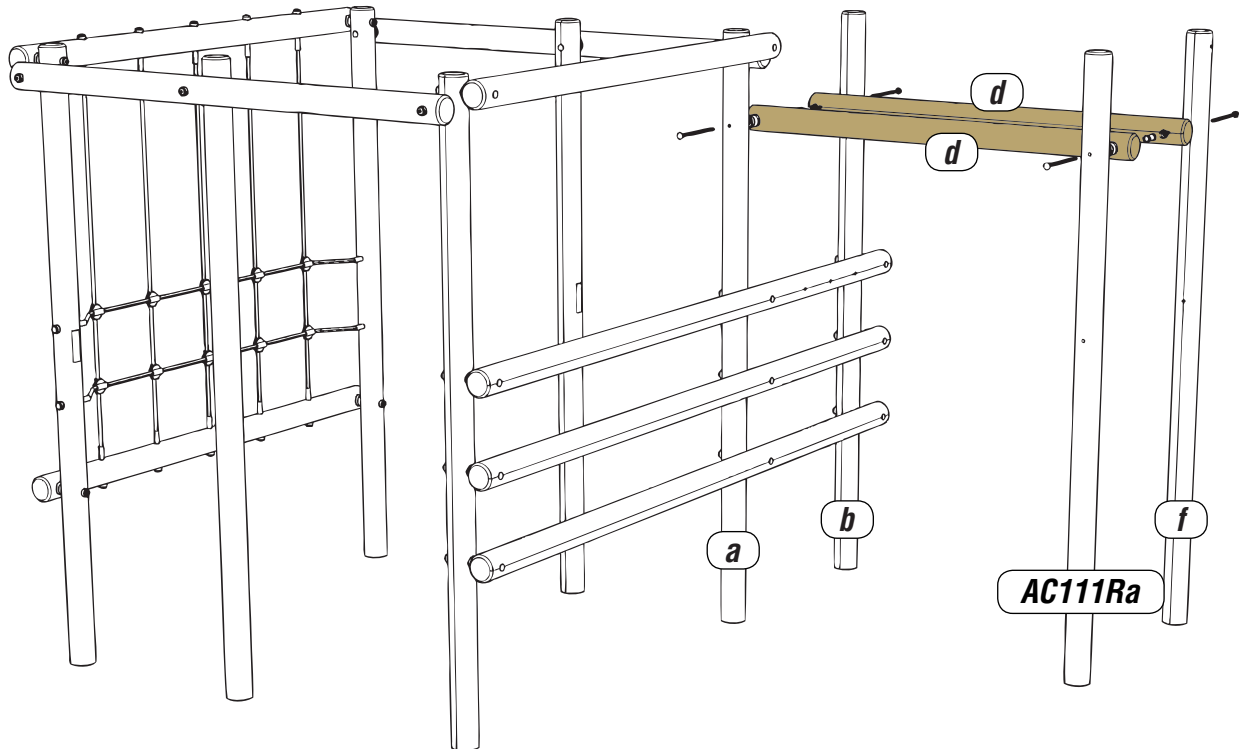
Using 22x 120 Distance piece/ 11x @300mm M12 SQUARE CUP HEX BOLTS / 11x NYLOCS / 11x END CAPS R60



**6**

**Attach the Timber AC101Rd to the Timbers AC101Ra/b/f AC111Ra**

Using 8x 120 Distance piece/ 4x @300mm M12 SQUARE CUP HEX BOLTS / 4x NYLOCS / 4x END CAPS R60

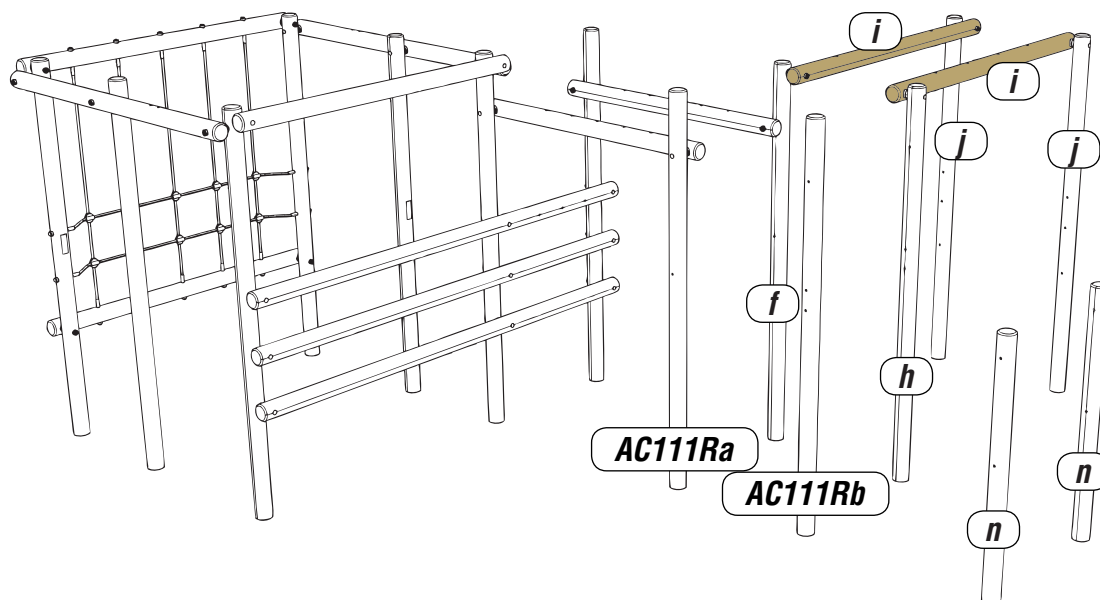


# Installation Instructions

7

## Attach the Timber AC101Rd to the Timbers AC101Ra/b/e/f

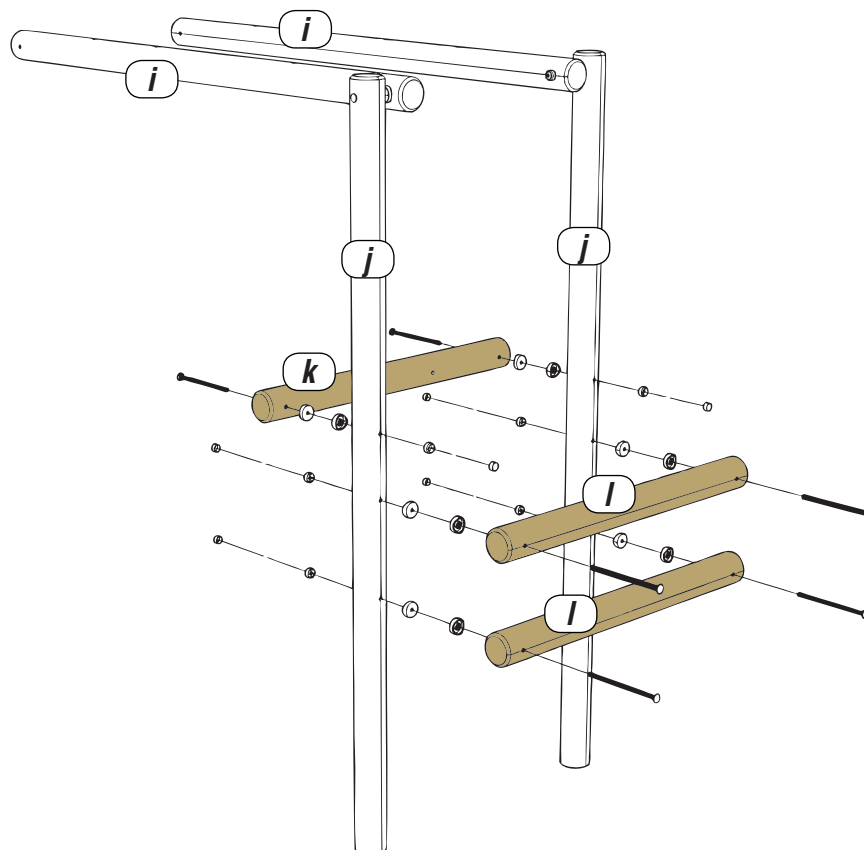
Using 8x 120 Distance piece / 4x @300mm M12 SQUARE CUP HEX BOLTS / 4x NYLOCS / 4x END CAPS R60



8

## Attach the Timber AC101Rl/k to the Timbers AC101Rj

Using 12x 120 Distance piece / 6x @300mm M12 SQUARE CUP HEX BOLTS / 6x NYLOCS / 6x END CAPS R60

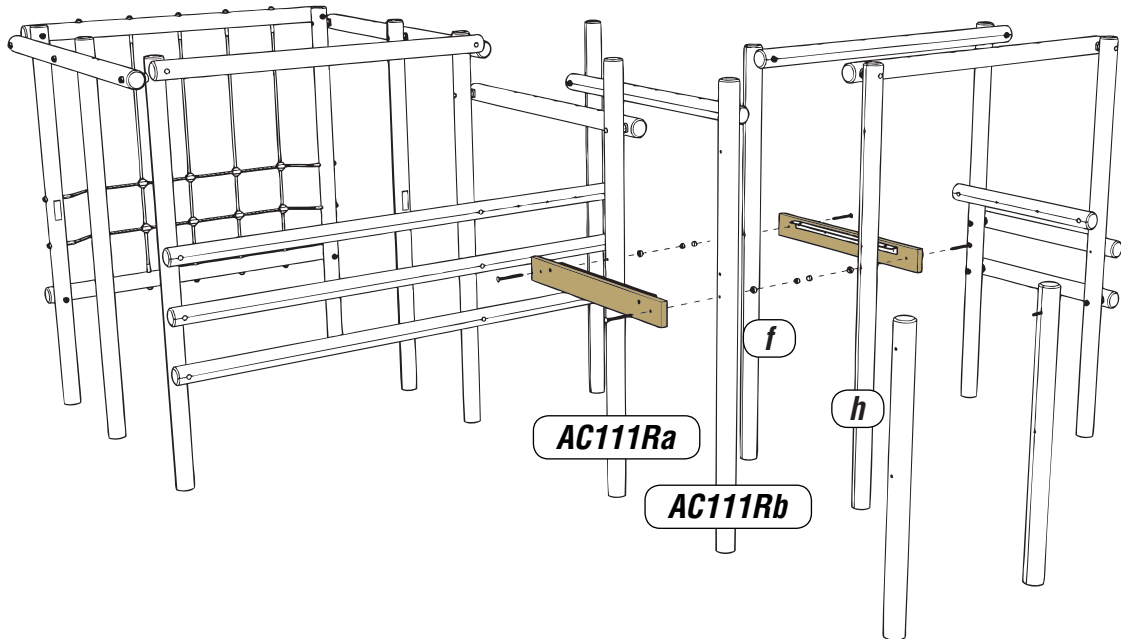


# Installation Instructions

9

**Attach the Slide and Log Walk SIDE PANEL to the Timbers AC101Rf/h - AC111Ra/b**

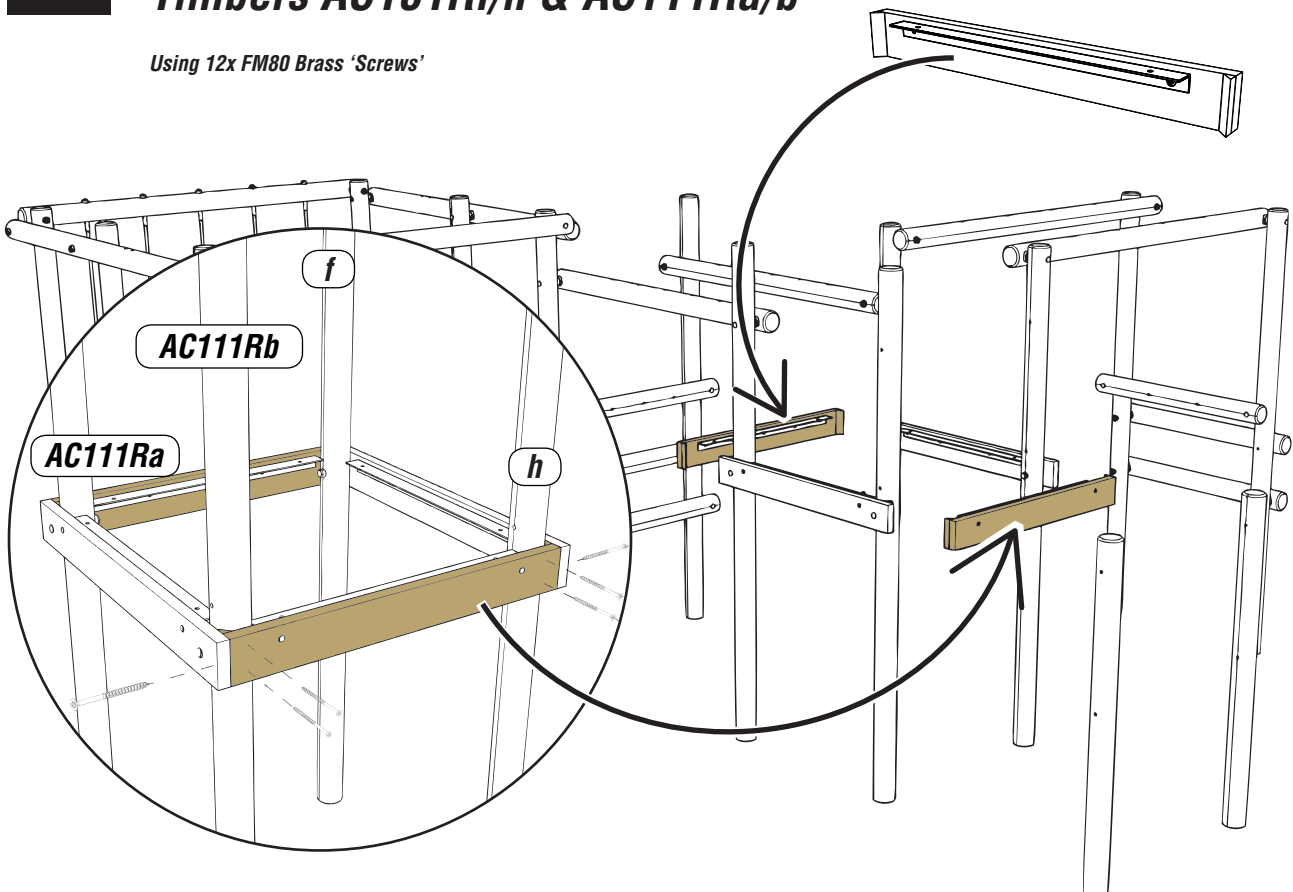
Using 4x @180mm M12 SQUARE CUP HEX BOLTS / 4x NYLOGS / 4x END CAPS R60



10

**Attach the Net Bridge and Ramp SIDE PANEL to the Timbers AC101Rf/h & AC111Ra/b**

Using 12x FM80 Brass 'Screws'

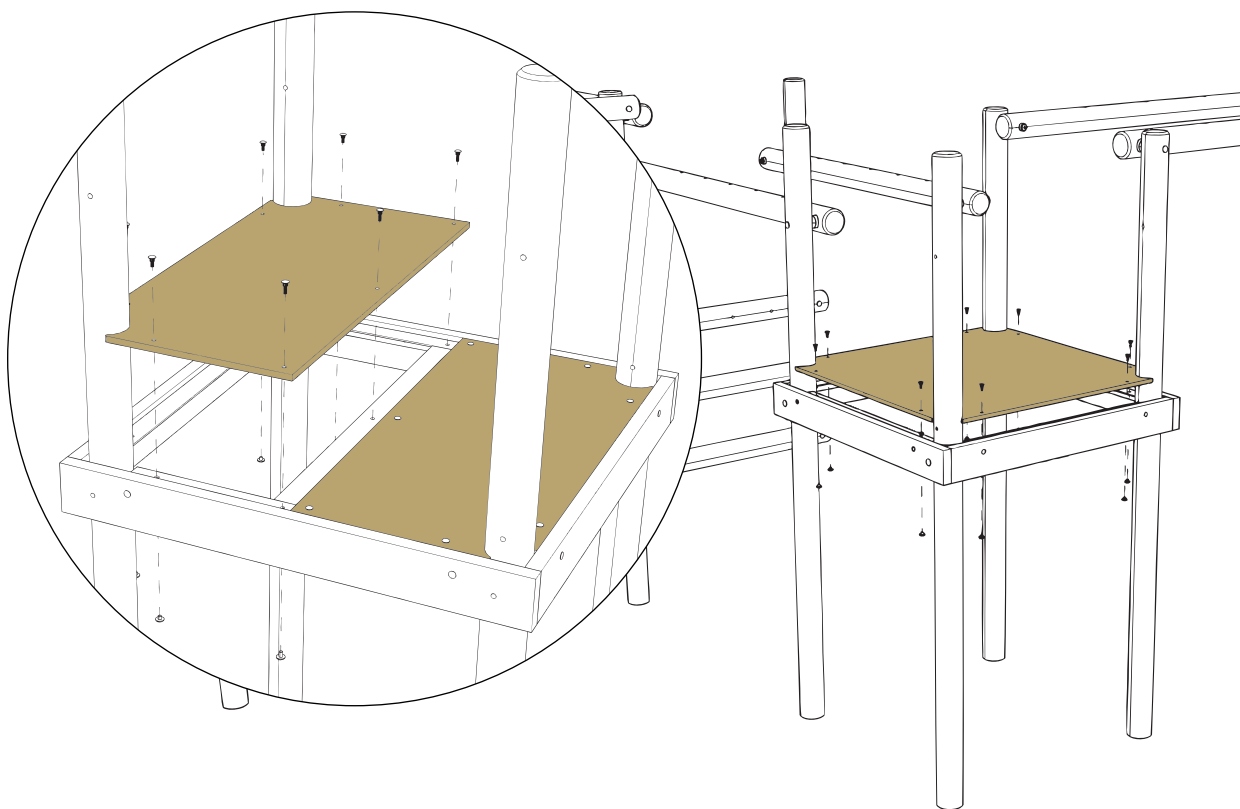


# Installation Instructions

**11**

## Attach the Floor to the SIDE PANELS

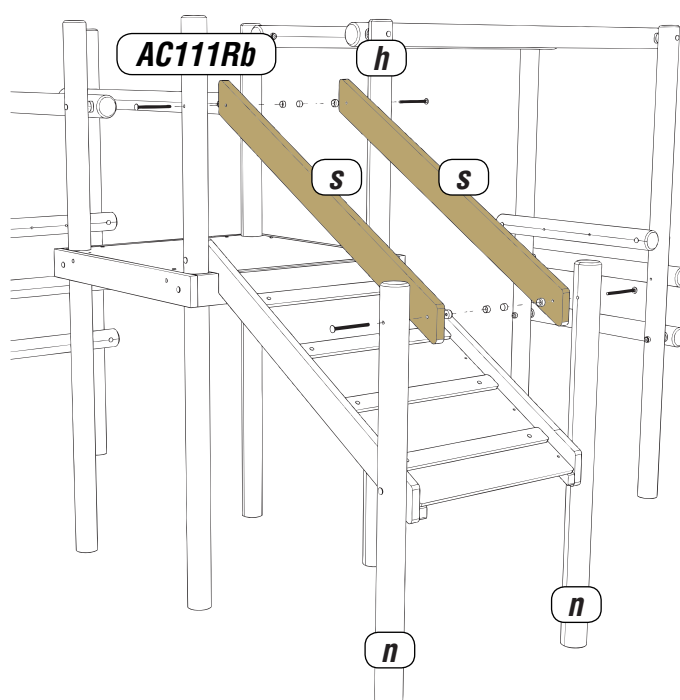
Using 4x (3B) / 6x(4B) / 6x (N1) / 6x (N3) TORKTAINERS



**12**

## Attach the Timber AC101Rs to the Timbers AC101Rh/n & AC111Rb

Using 4x @180mm M12 SQUARE CUP HEX BOLTS / 4x NYLOCS / 4x END CAPS R60



# Installation Instructions

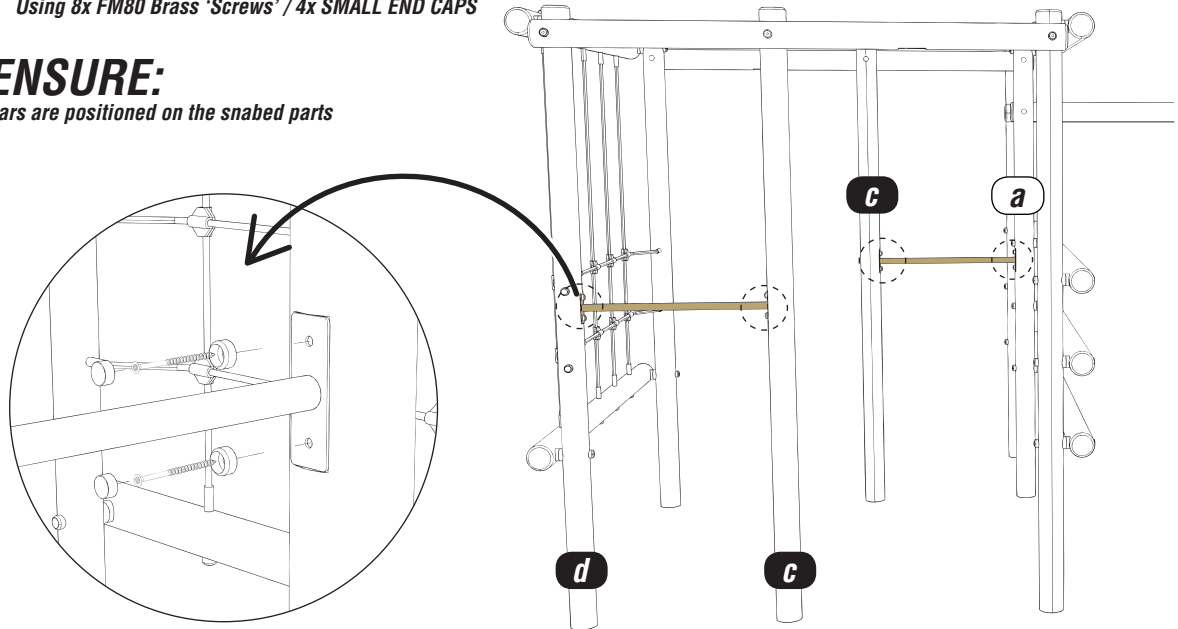
**13**

## Attach STANDARD BAR to the Timbers CF101R/c/d - AC101Ra

Using 8x FM80 Brass 'Screws' / 4x SMALL END CAPS

**ENSURE:**

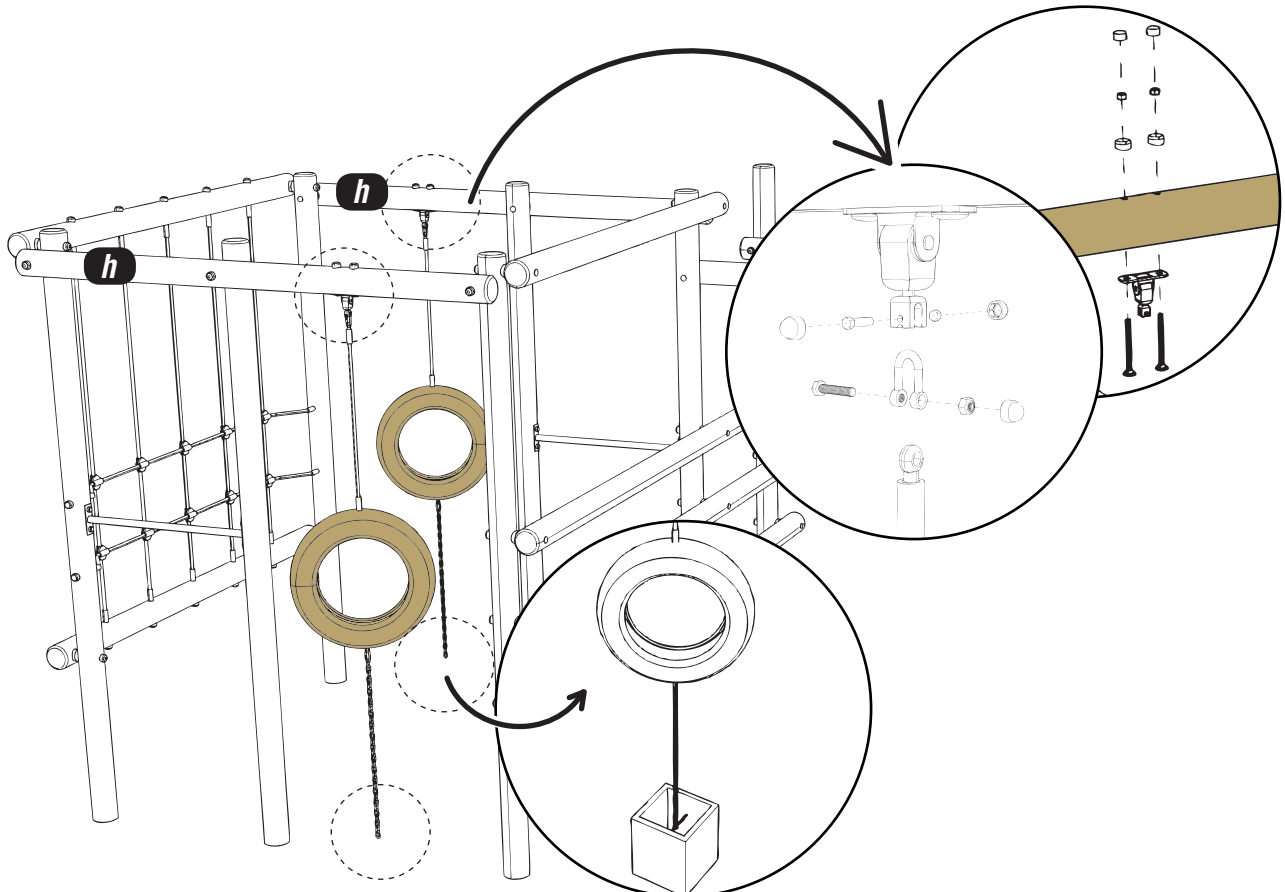
Bars are positioned on the snaped parts



**12**

## Attach the TYRE ASSEMBLY to the CF101Rh

Using 4x @140mm M12 SQUARE CUP HEX BOLTS / 4x NYLOCS / 4x END CAPS R60 / 2x Swing Hangers / 2x D-Shackle / 8x M8 Plastic Covers

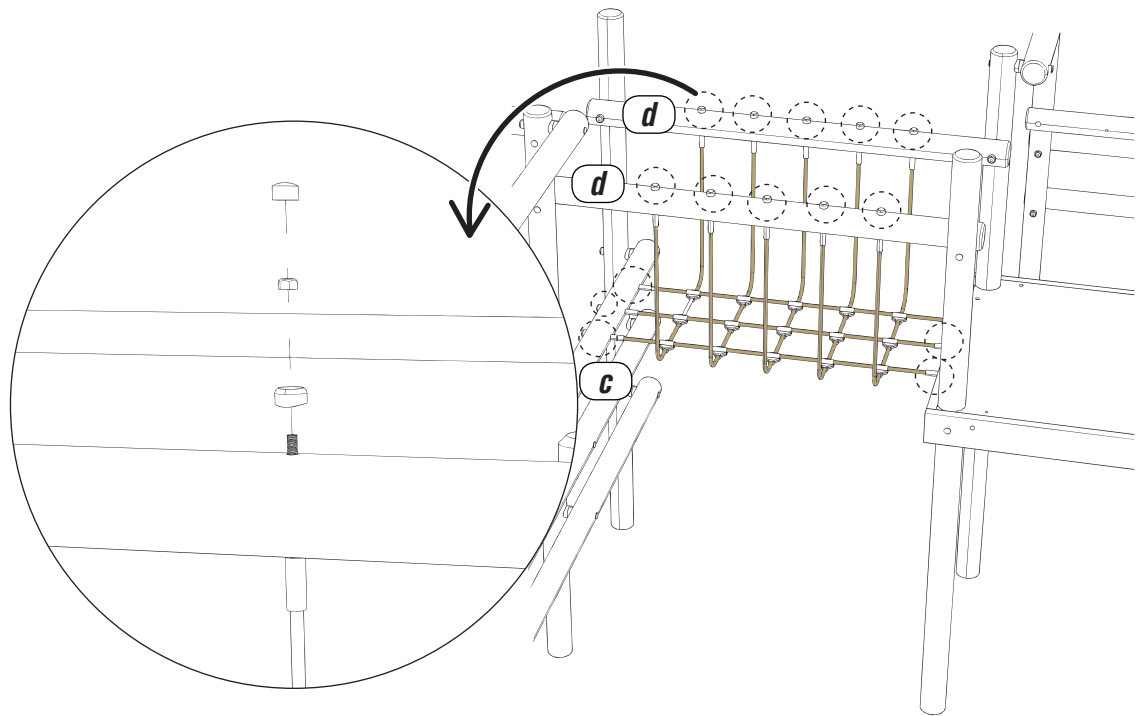


# Installation Instructions

**13**

## Attach BRIDGE NET to the Timbers AC101Rc/d and Panel

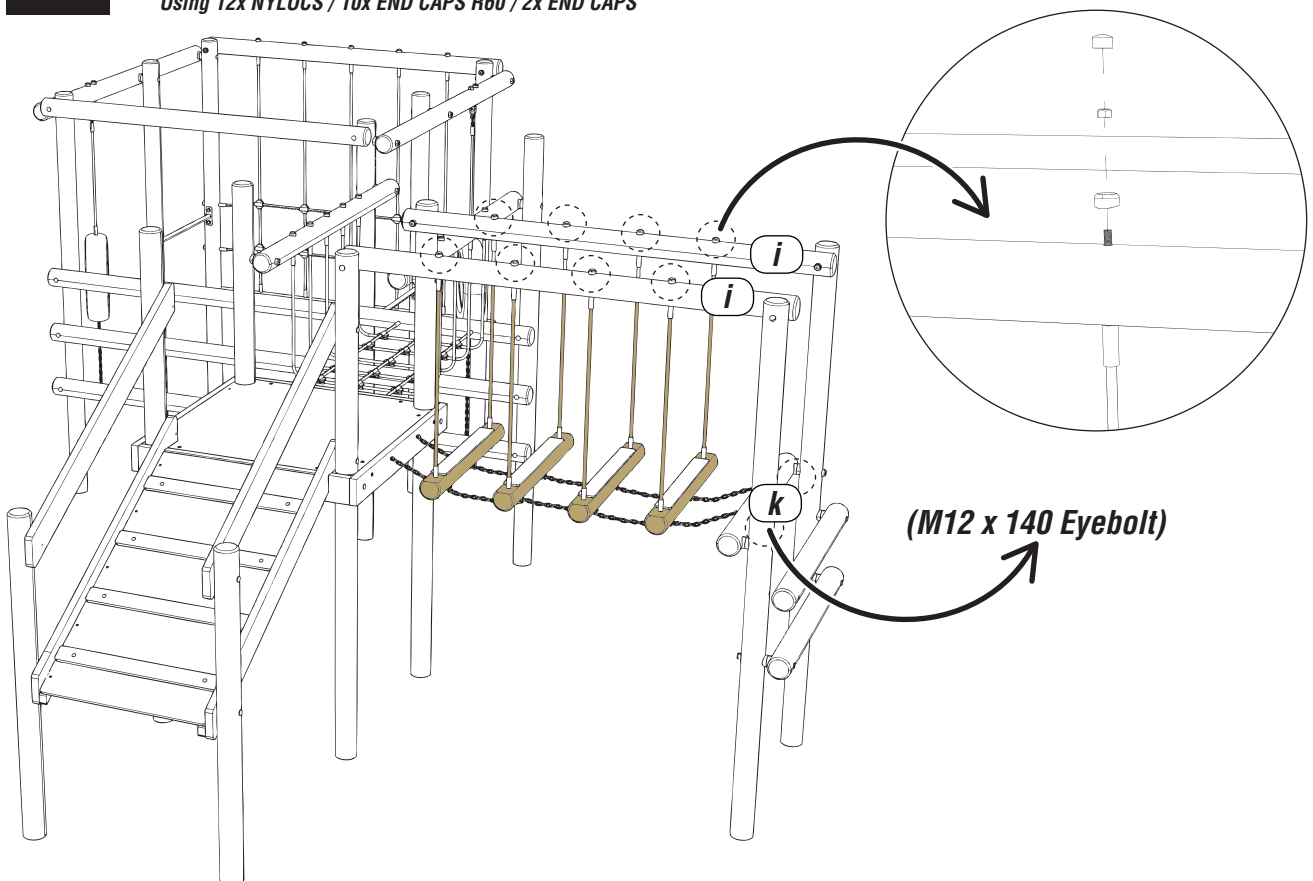
Using 16x NYLOCS / 13x END CAPS R60 / 3x END CAPS



**14**

## Attach the LOG WALK to the AC101Ri/k and SIDE PANEL

Using 12x NYLOCS / 10x END CAPS R60 / 2x END CAPS

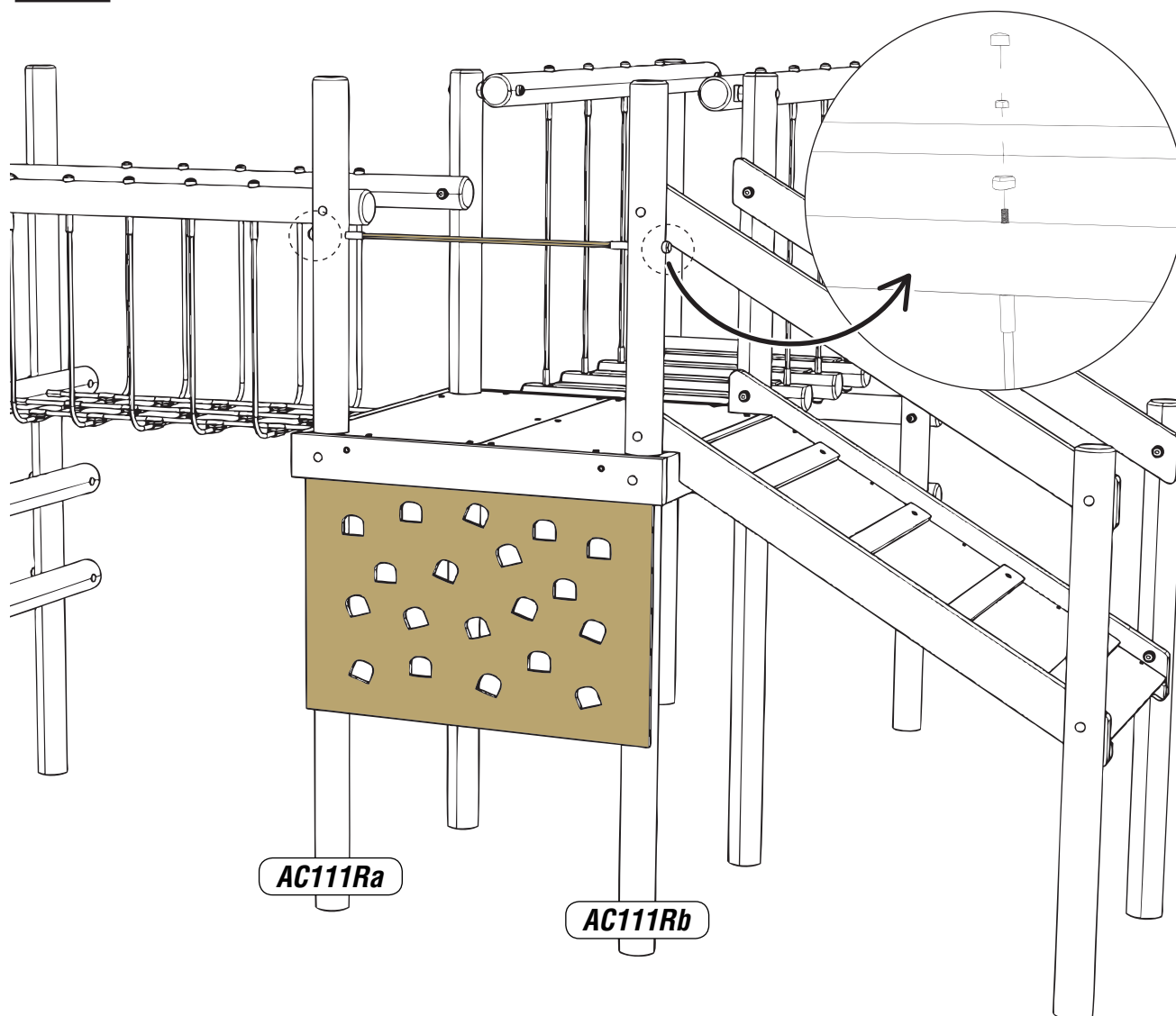


# Installation Instructions

**15**

## Attach CLIMBING PLANEL AND ROPE to AC111Ra/b TIMBERS

Using 6x "FM80 Brass Screws" / 2x NYLOCS / 2x END CAPS R60



# Additional Dimensions

