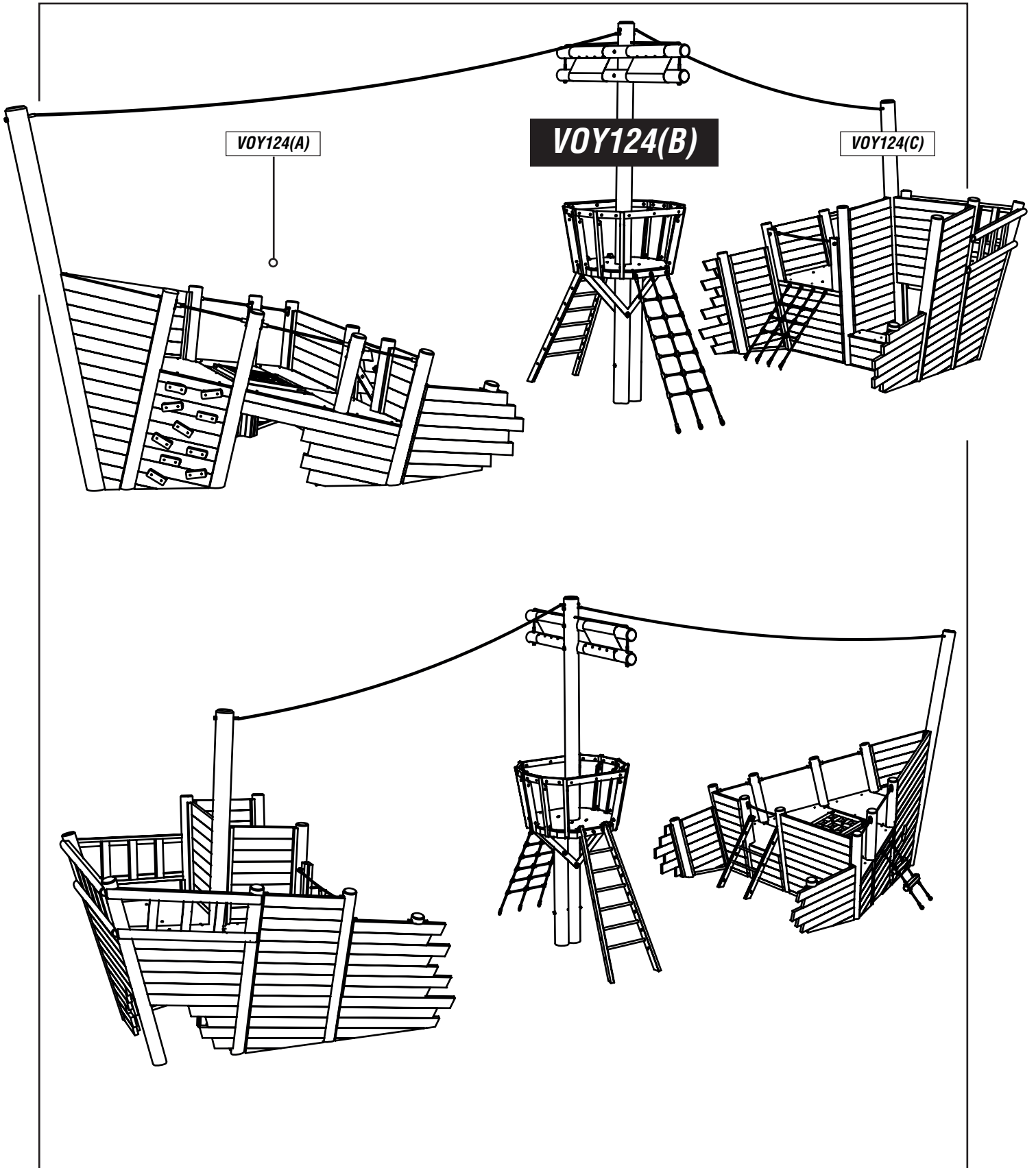


VOY124(B) - CROWS NEST

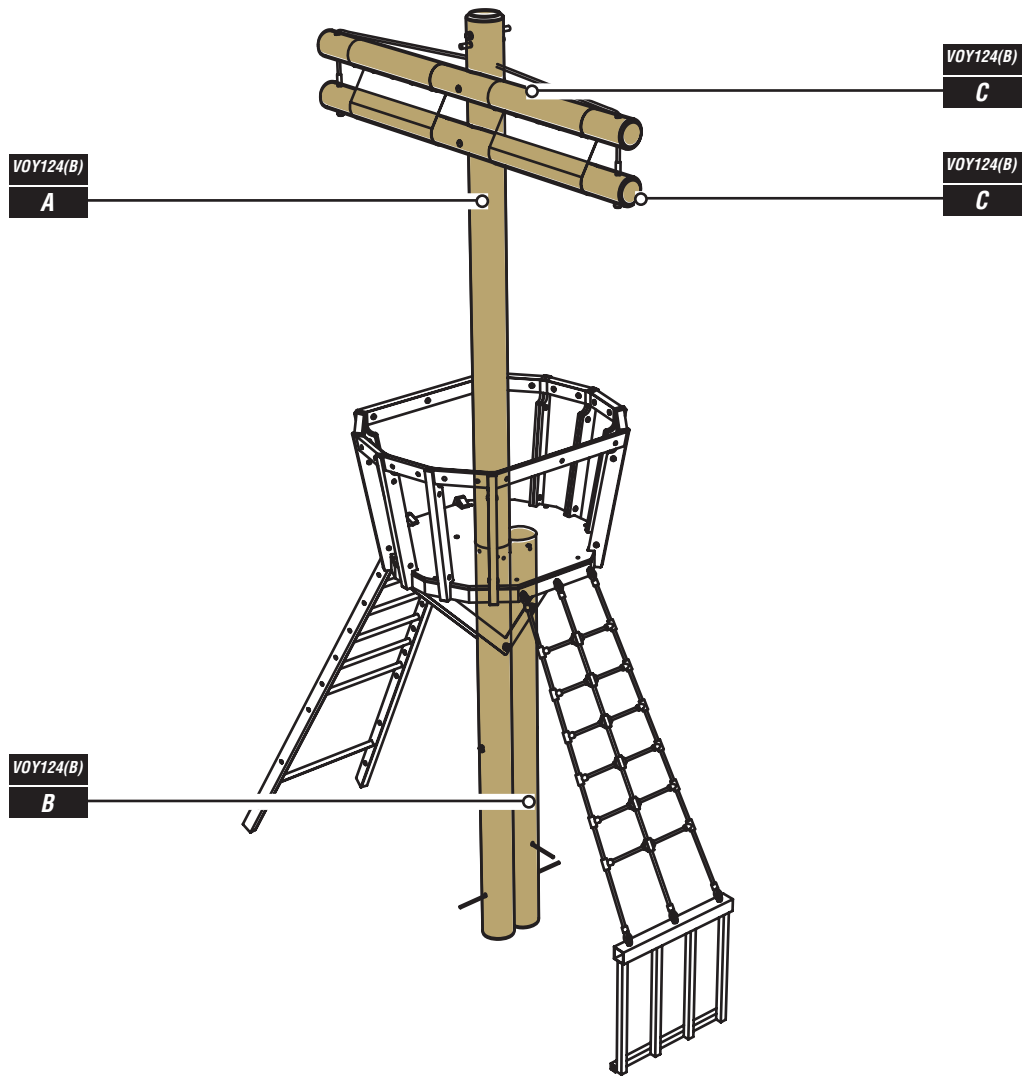
Installation Instructions

creative
play

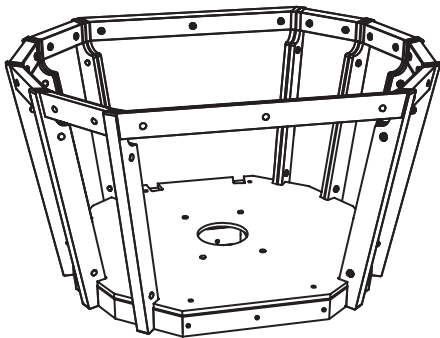


INSTRUCTIONS FOR VOY124(B) ONLY - SEE (A) BOW & (C) STERN

PARTS REQUIRED

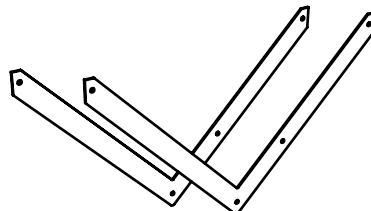


VOY124(A) - FULL ROUND TIMBERS



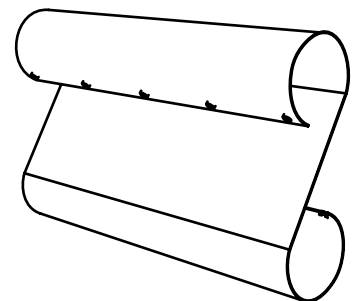
x1

CROWS NEST



x1 (PAIR)

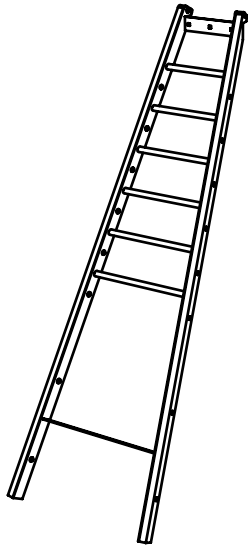
SUPPORT BARS



x2

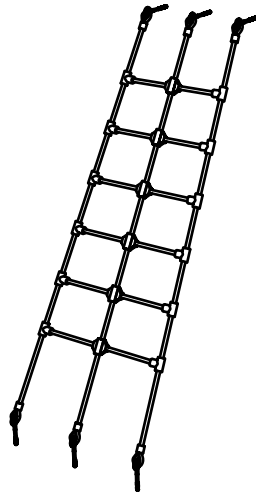
CANVAS SAIL

PARTS REQUIRED



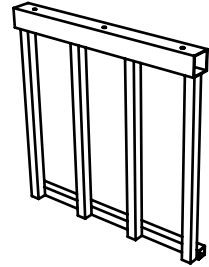
x1

CROWS NEST LADDER



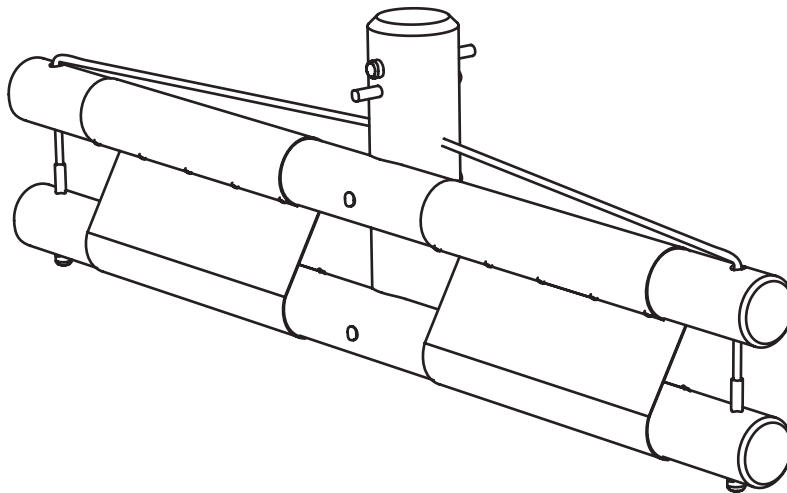
x1

CROWS NEST NET CLIMBER



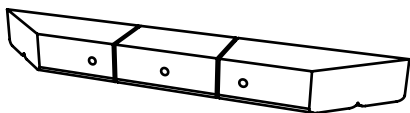
x1

NET CLIMBER SUPPORT



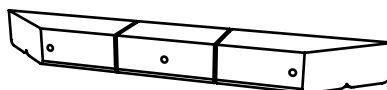
x1

INDIVIDUAL ROPE (RIGGING)



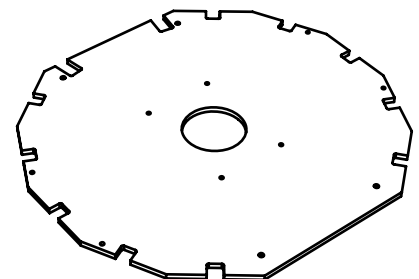
x1 (SET)

CNC4 - TIMBER SET (3)



x1 (SET)

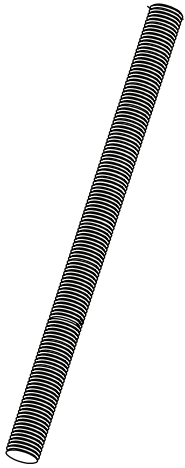
CNC5 - TIMBER SET (3)



x1 (inc loose with crows nest)

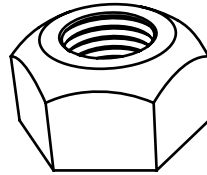
HEXA GRIP FLOOR

PARTS REQUIRED



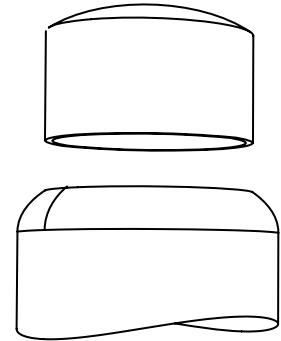
250MM - x2
 425MM - x1
 440MM - x1
 600MM - x1
 800MM - x1

349.82.M12 (THREADED BAR)



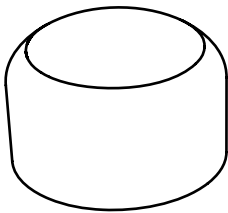
x19

656.M12



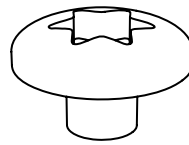
x9

102005-0



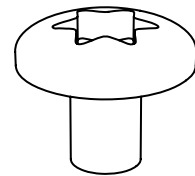
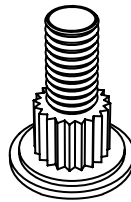
x15

102003-01



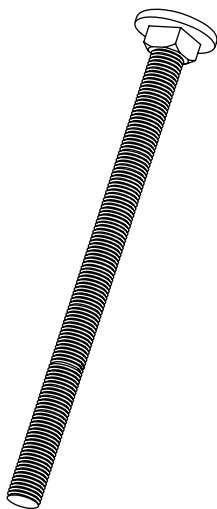
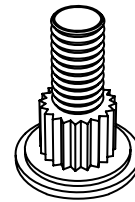
x4

0B / N1 (SET)



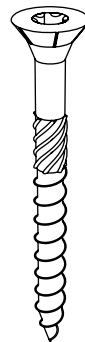
x8

2B / N2 (SET)



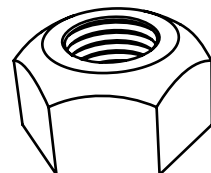
x3

274.M12X150



x24

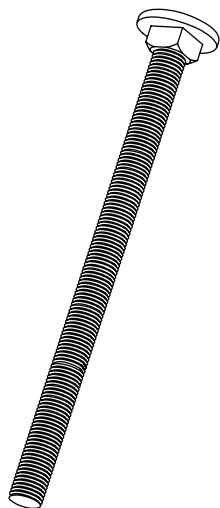
97.M8X80CSK



x6

656.M10

PARTS REQUIRED



x2

274.M12X320

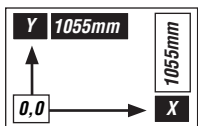
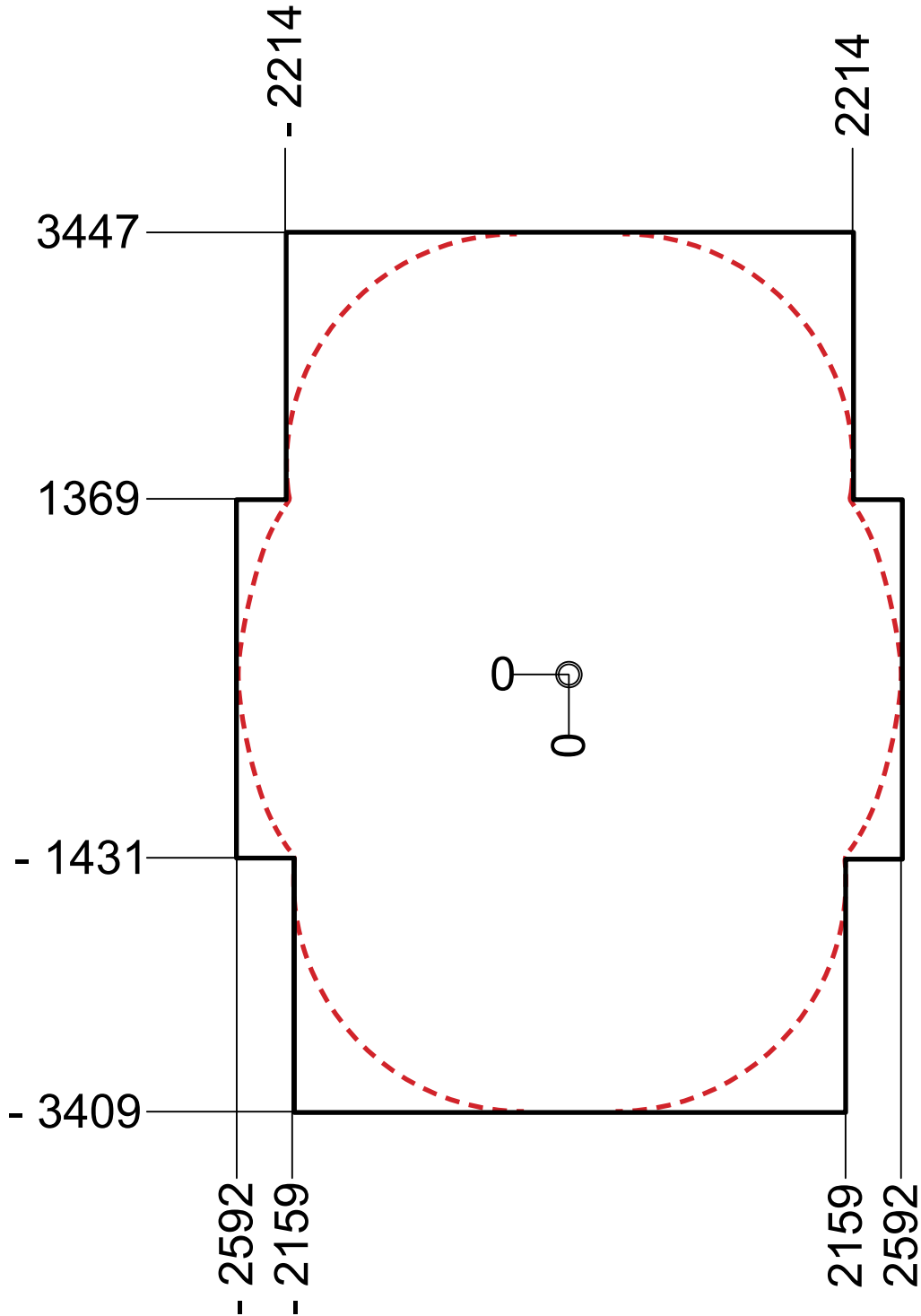


x8

97.M8X180CSK

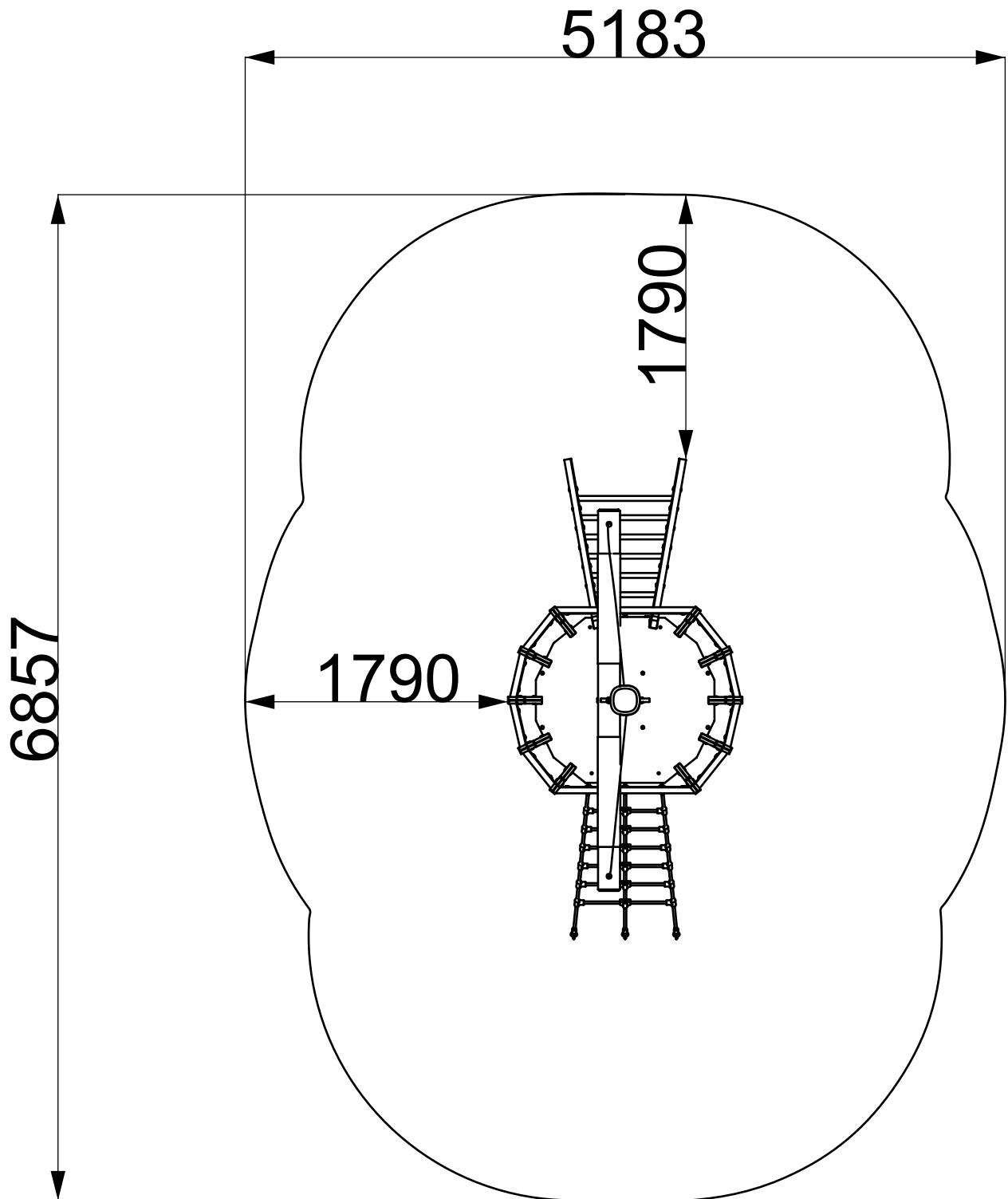
SURFACING - OVERALL AREA

----- = **MINIMUM SPACE**
————— = **SURFACE AREA**



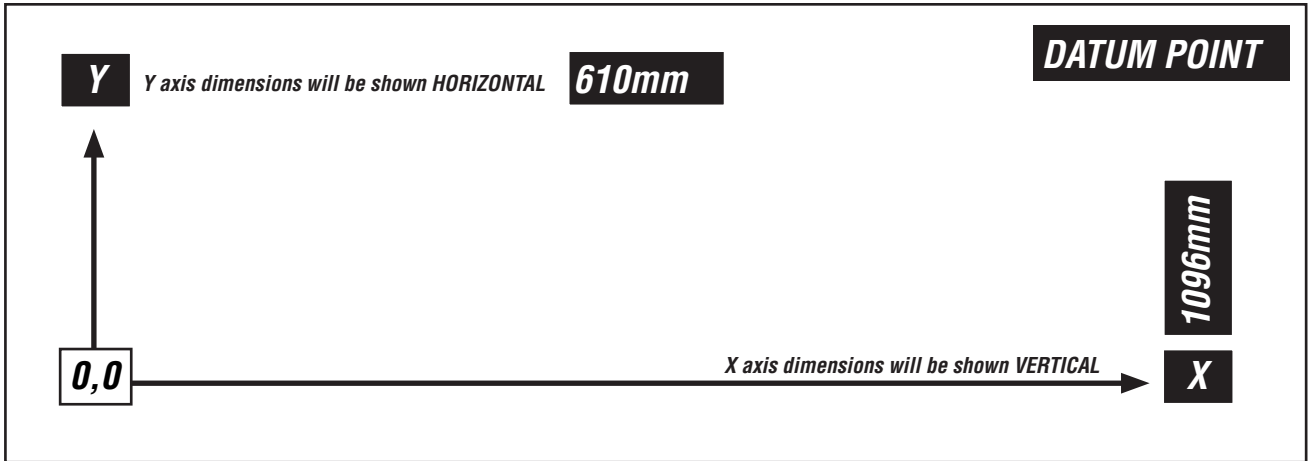
***SURFACE AREA** CORNERS OF THE SURFACING AREA CAN BE RADIUSED (SEE NEXT PAGE)

SURFACING - OVERALL AREA



***SURFACE AREA** CORNERS OF THE SURFACING AREA CAN BE RADIUSSED

FOUNDATION DETAILS



NOTES:

1) DATUM POINT

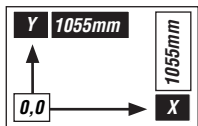
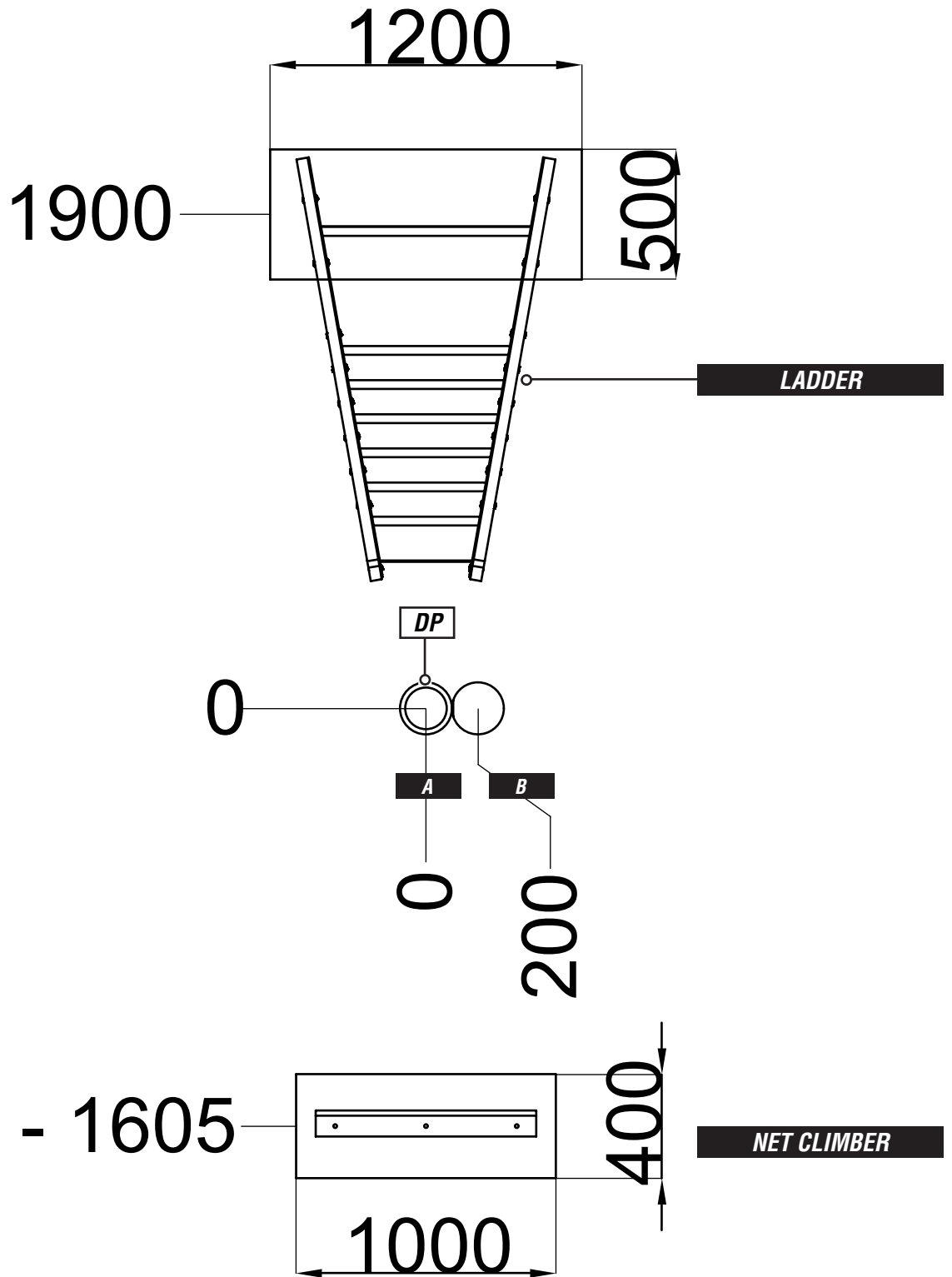
FOUNDATION MEASUREMENTS WILL BE TAKEN FROM FROM THE DATUM POINT - THIS IS LABELLED DP

2) GROUND LEVEL

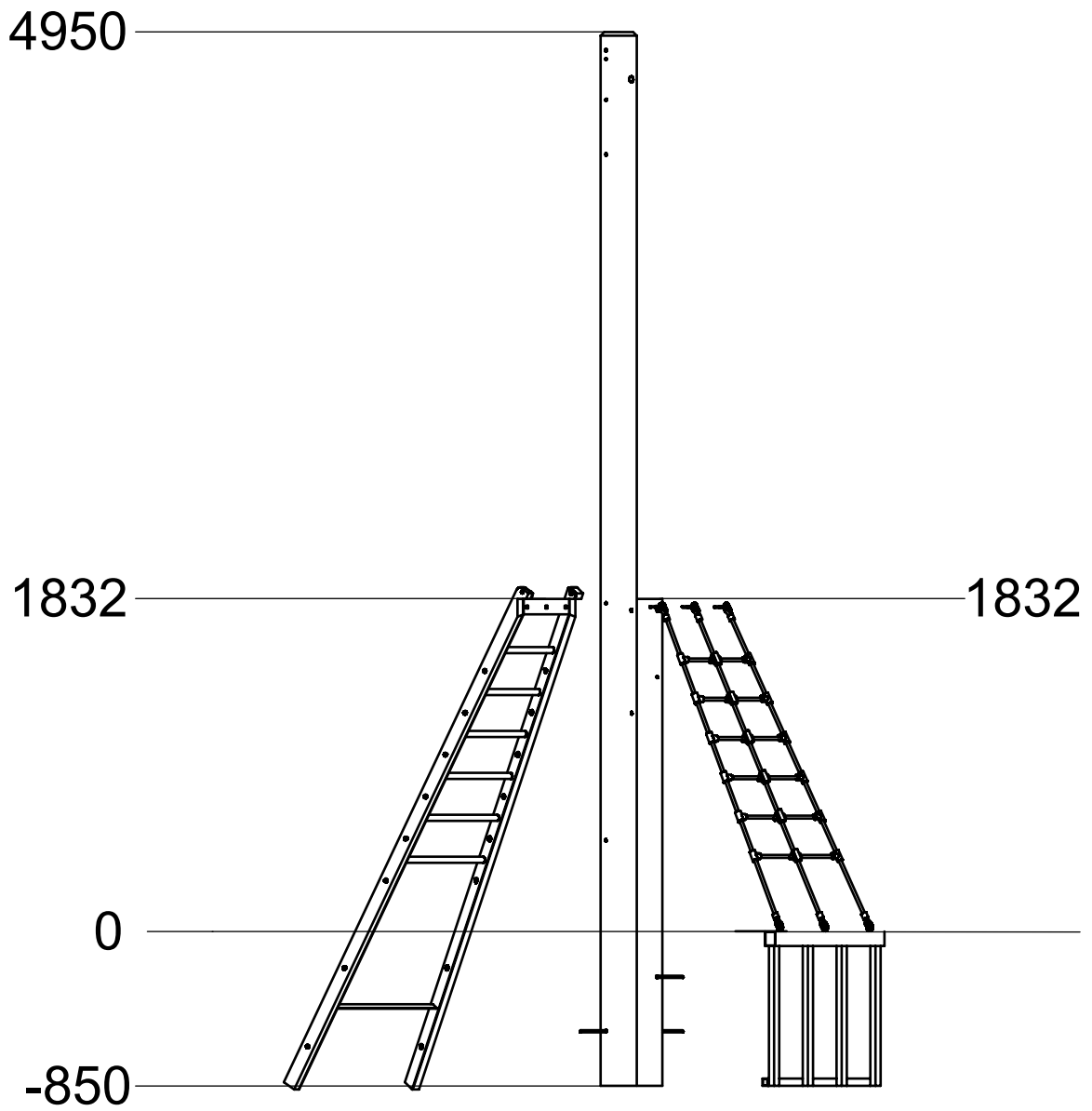
ALL MEASUREMENTS FOR DEPTHS AND HEIGHTS ARE TAKEN FROM FISINHD GROUND LEVEL - THIS IS LABELLED FGL

3) DIRECTION OF FOUNDATIONS

FOUNDATIONS ARE MEASURED TO THE CENTRE OF THE POST AT FGL - THE REMAINDER OF THE POST (IN THE GROUND) IS SHOWN TO HIGHLIGHT THE DIRECTION OF THE POST (AND FOUNDATION)



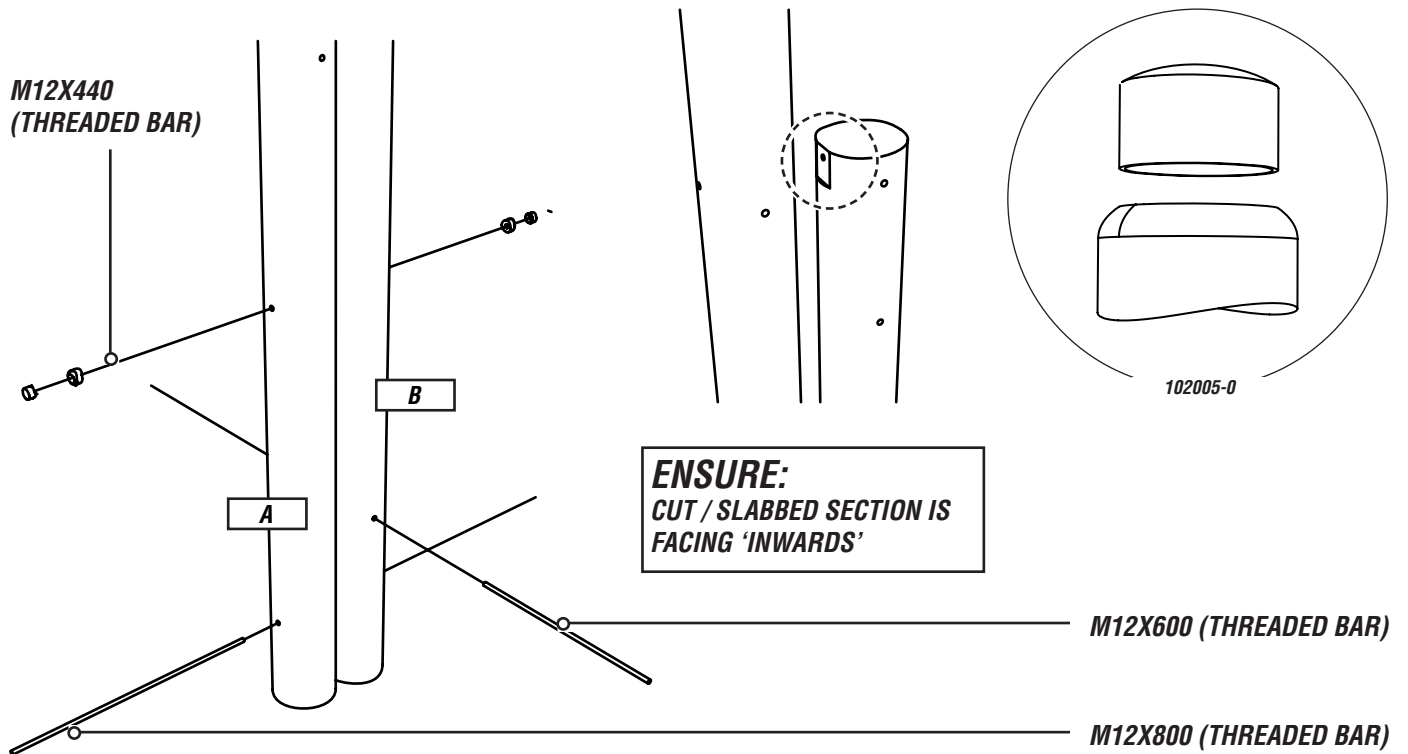
FOUNDATIONS



INSTALLATION INSTRUCTIONS

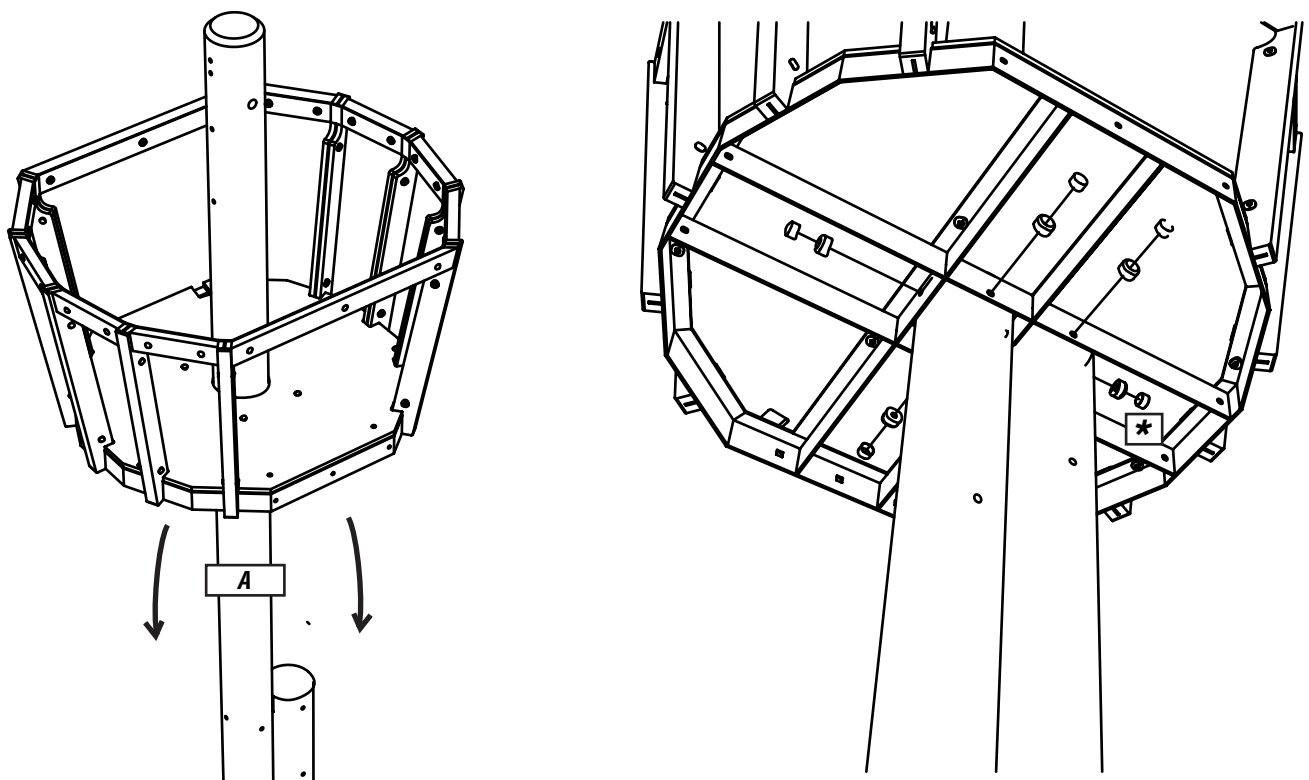
1 BOLT TIMBER A / B TOGETHER AND ATTACH THREADED BAR

USING - 349.82.M12X440 / 656.M12 / 102005-0 AND 349.82.M12X600 / 349.82.M12X800 / 656.M12



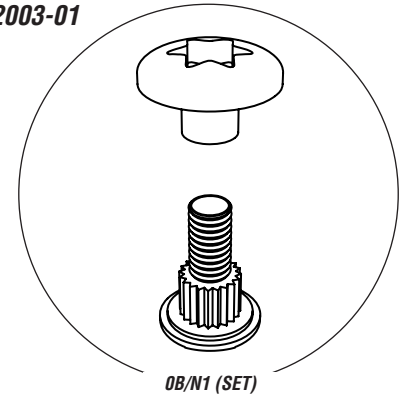
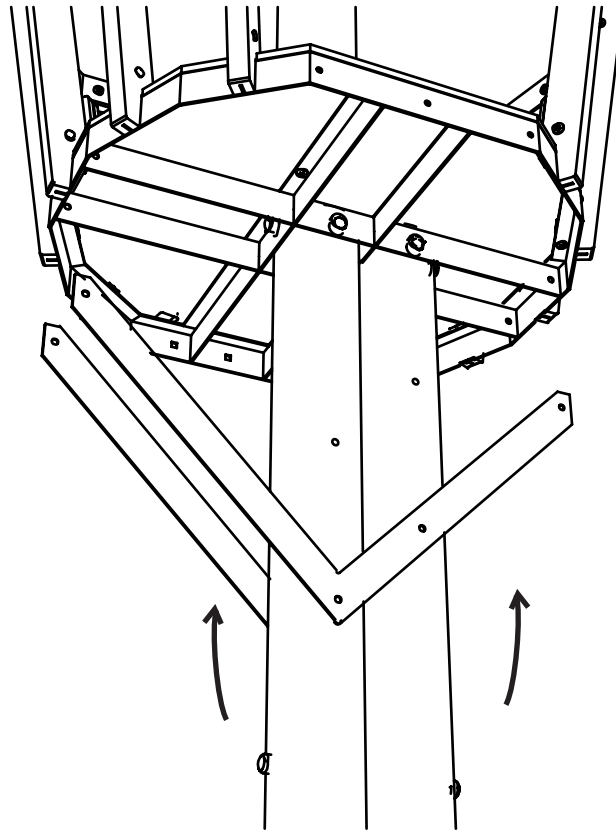
2 POSITION THE CROWS NEST ASSEMBLY ONTO THE TIMBERS

USING - 349.82.M12X250 / 349.82.M12X425 / 656.M12 / 102003-01 / 102005-0 MARKED *

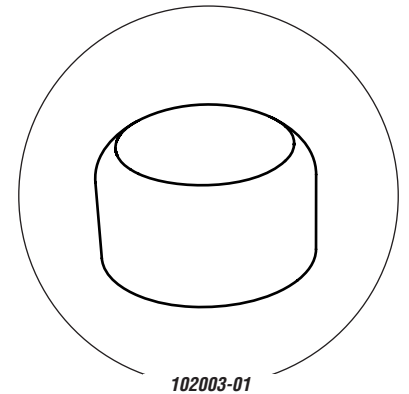


INSTALLATION INSTRUCTIONS

3 BOLT & TORKTAINER SUPPORT ARMS TO THE CROWS NEST AND TIMBERS USING - 349.82.M12X250 / 656.M12 / 102003-01 & TORKTAINER SETS 0B/N1 / 102003-01



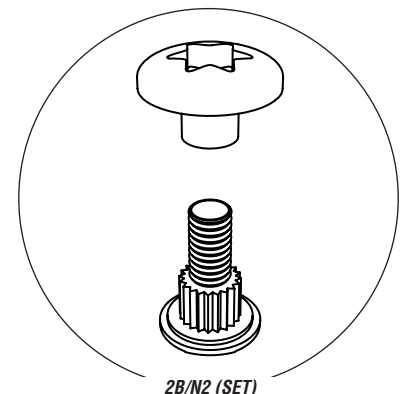
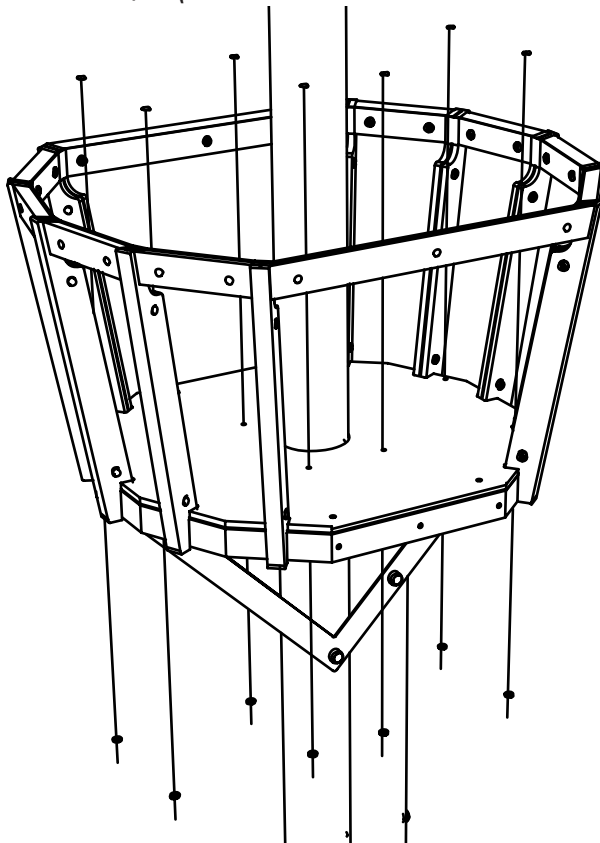
0B/N1 (SET)



102003-01

ENSURE:
USE A CAP AND WASHER
WITH THE TORKTAINER
TO ENSURE THEY CAN BE
SECURELY TIGHTENED

4 SECURE THE HEXA GRIP FLOOR TO THE CROWS NEST USING - TORKTAINER SETS 2B/N2 (FLOOR IS SUPPLIED ON THE CROWS NEST BUT NOT SECURED)



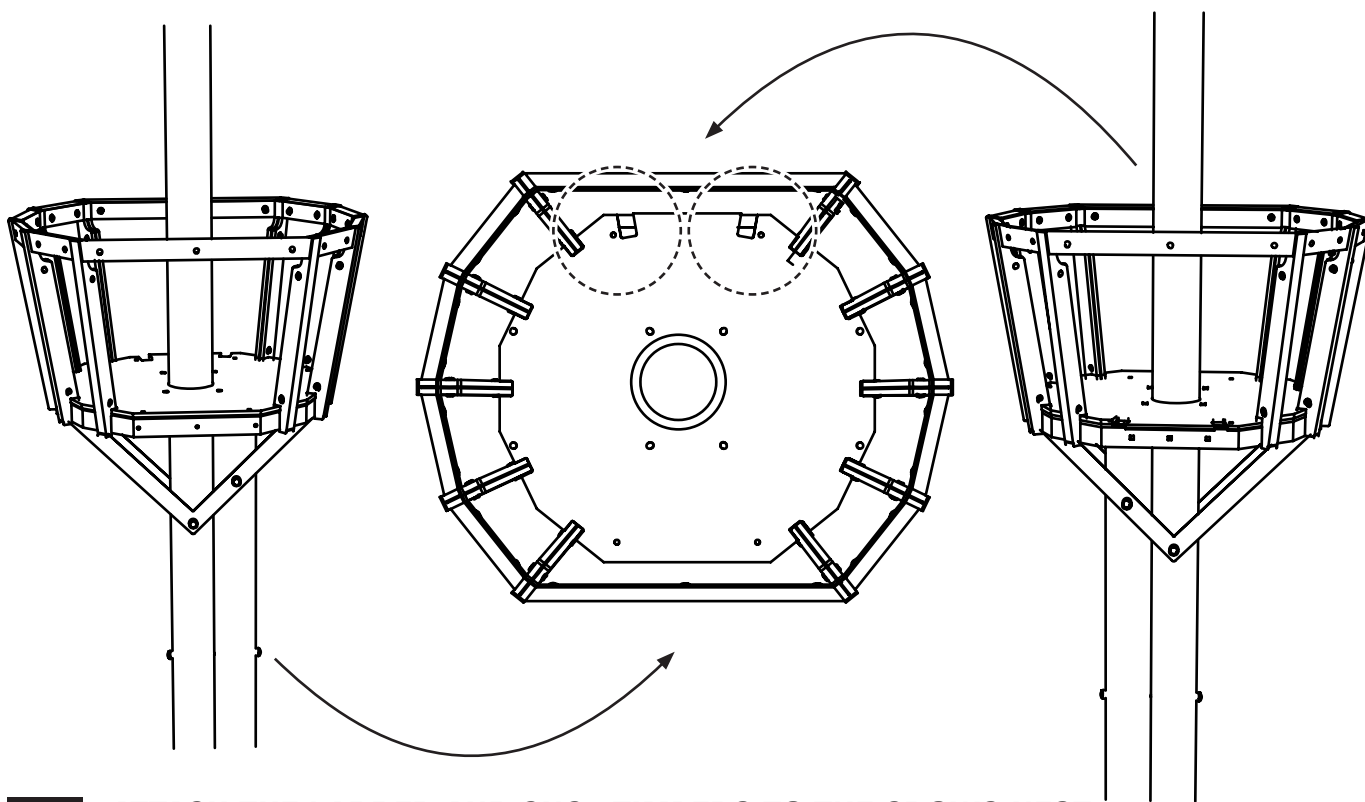
2B/N2 (SET)

INSTALLATION INSTRUCTIONS

5

ENSURE THE HEXA GRIP FLOOR IS POSITIONED CORRECTLY

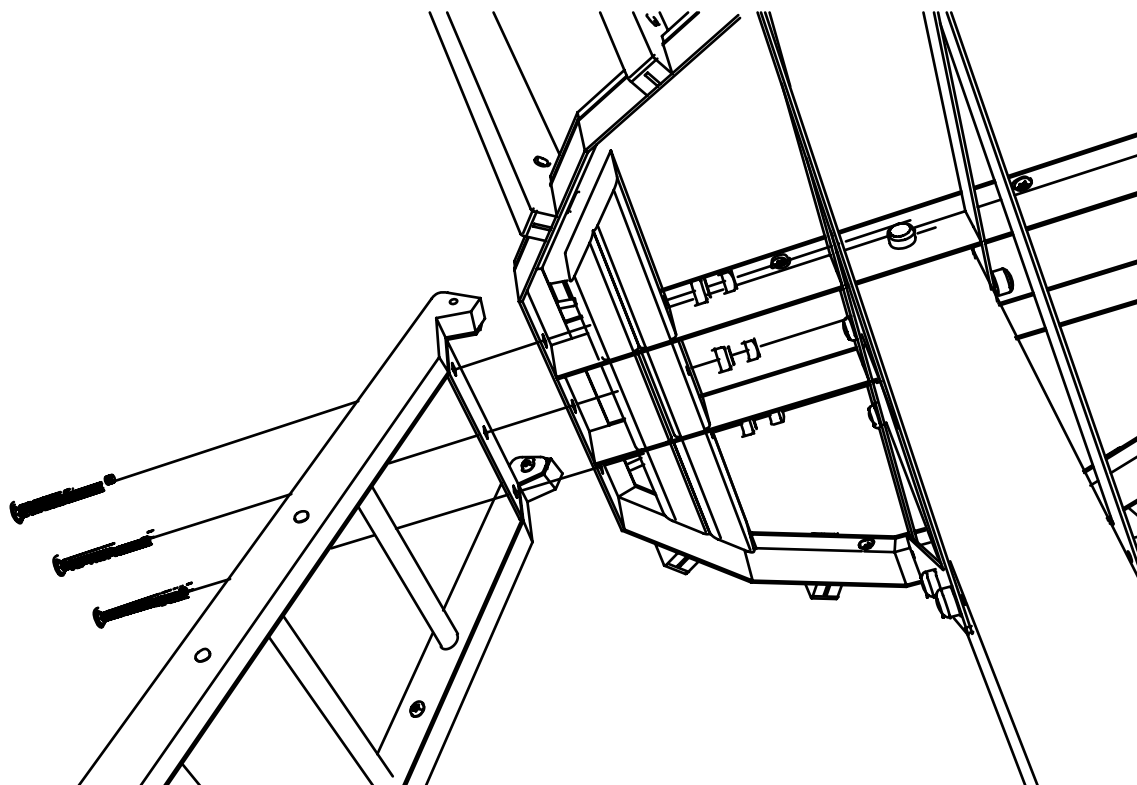
'CUT-OUT' SECTIONS ARE FOR THE LADDER (SQUARE HOLE SIDE)



6

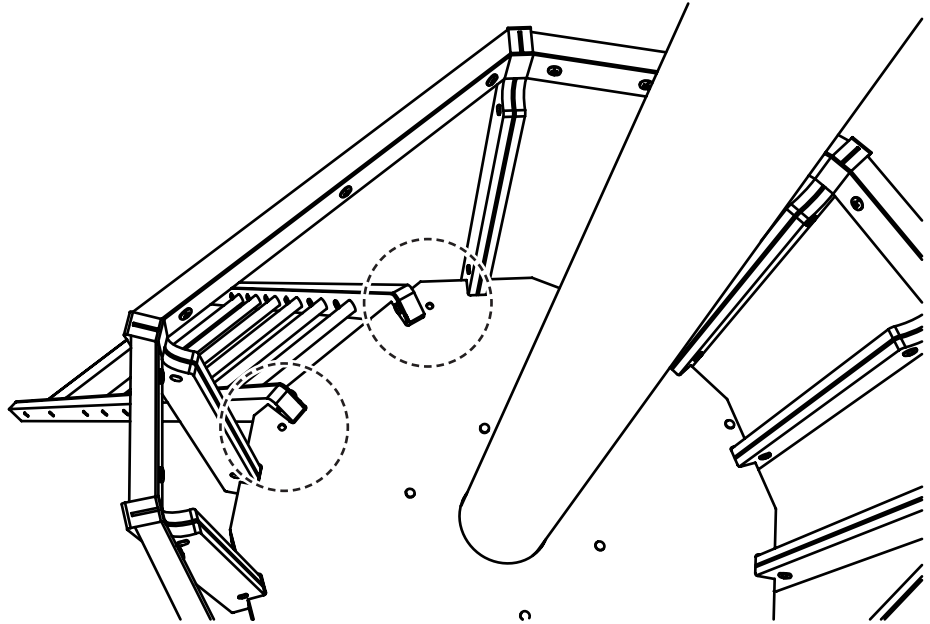
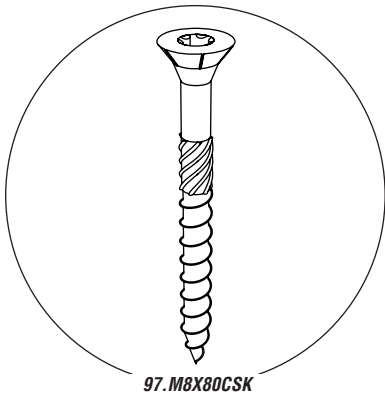
ATTACH THE LADDER AND CNC4 TIMBERS TO THE CROWS NEST

USING - 274.M12X150 / 656.M12 / 102003-01 - QUANTITY X 3

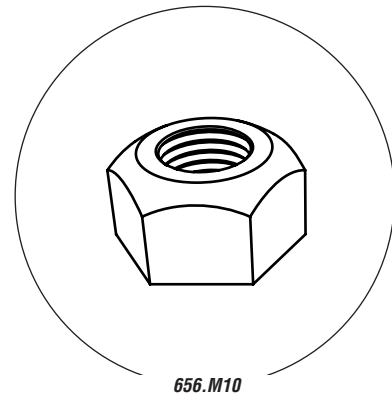
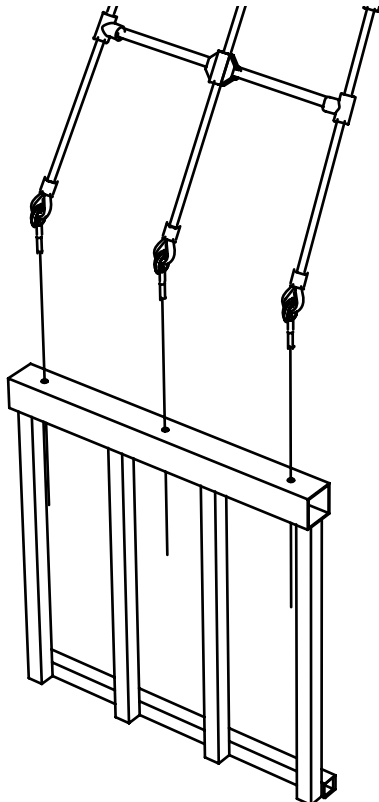


INSTALLATION INSTRUCTIONS

7 SCREW THROUGH THE HEXA GRIP FLOOR INTO THE CNC4 TIMBERS USING - 97.M8X80CSK (QTY x 2)



8 ATTACH NET CLIMBER TO THE NET CLIMBER SUPPORT USING - 656.M12



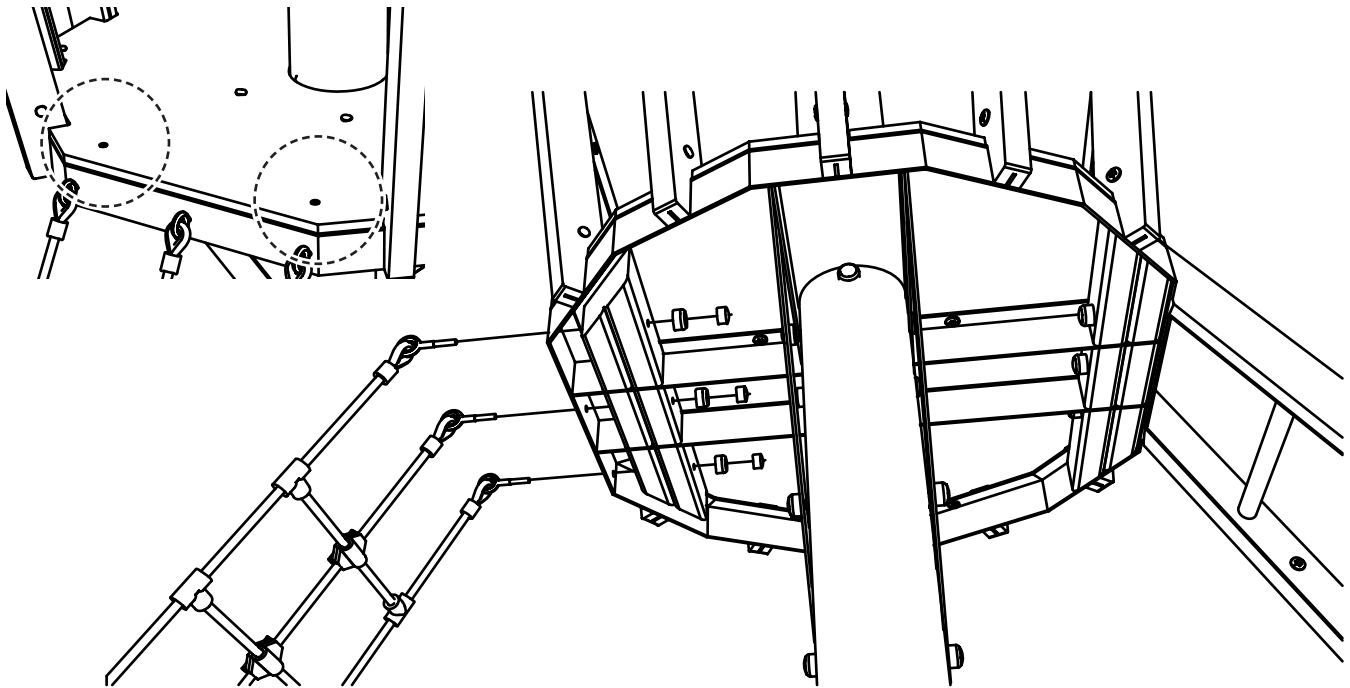
NOTES:
CAPS WILL NOT BE REQUIRED
AS THE SUPPORT WILL BE
INSTALLED BELOW FINISHED
GROUND LEVEL

INSTALLATION INSTRUCTIONS

9

ATTACH NET CLIMBER & CNC5 TIMBER SET TO THE CROWS NEST

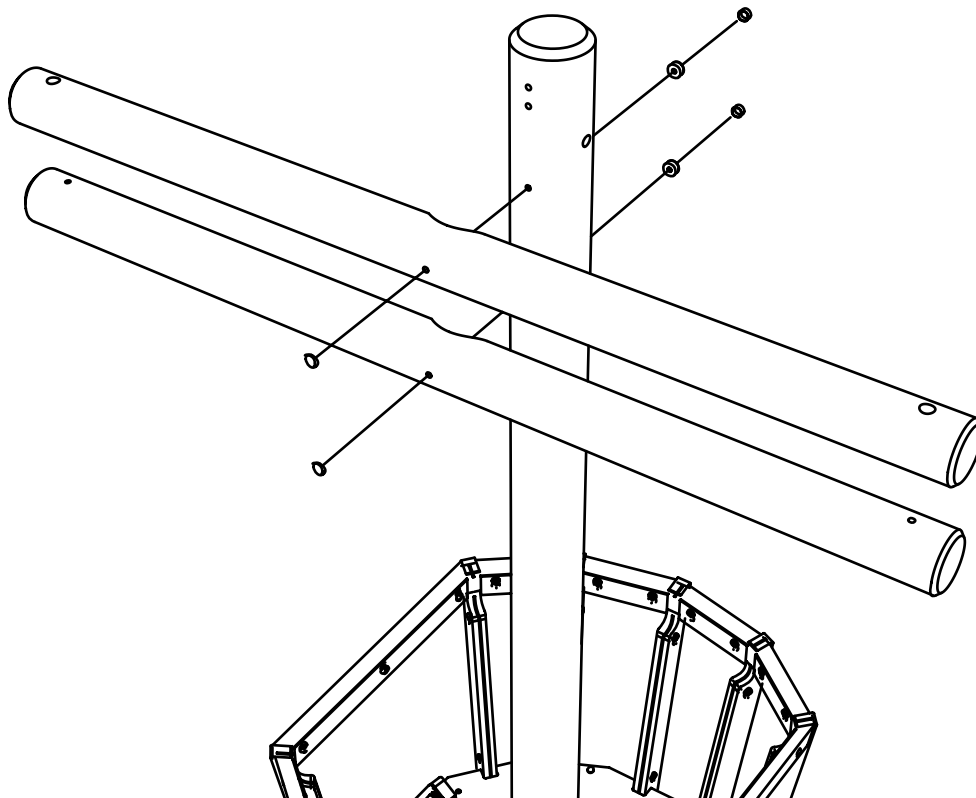
USING - 656.M12 / 102003-01 (QTY x 3) & 97.M8X80CSK (QTY x2)



10

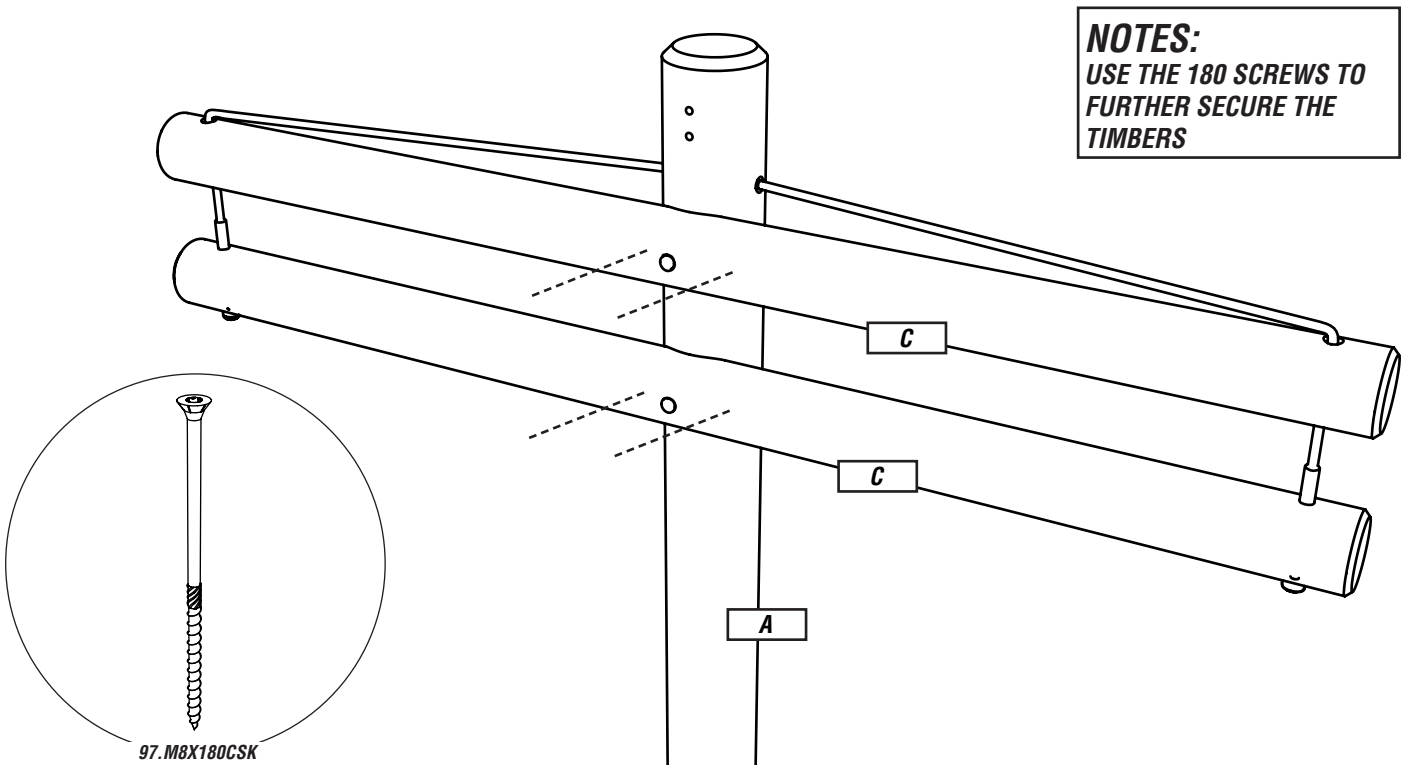
BOLT TIMBERS C TO TIMBER A - MAST

USING - 274.M12X320 / 656.M12 / 102003-01 (QTY x 2)



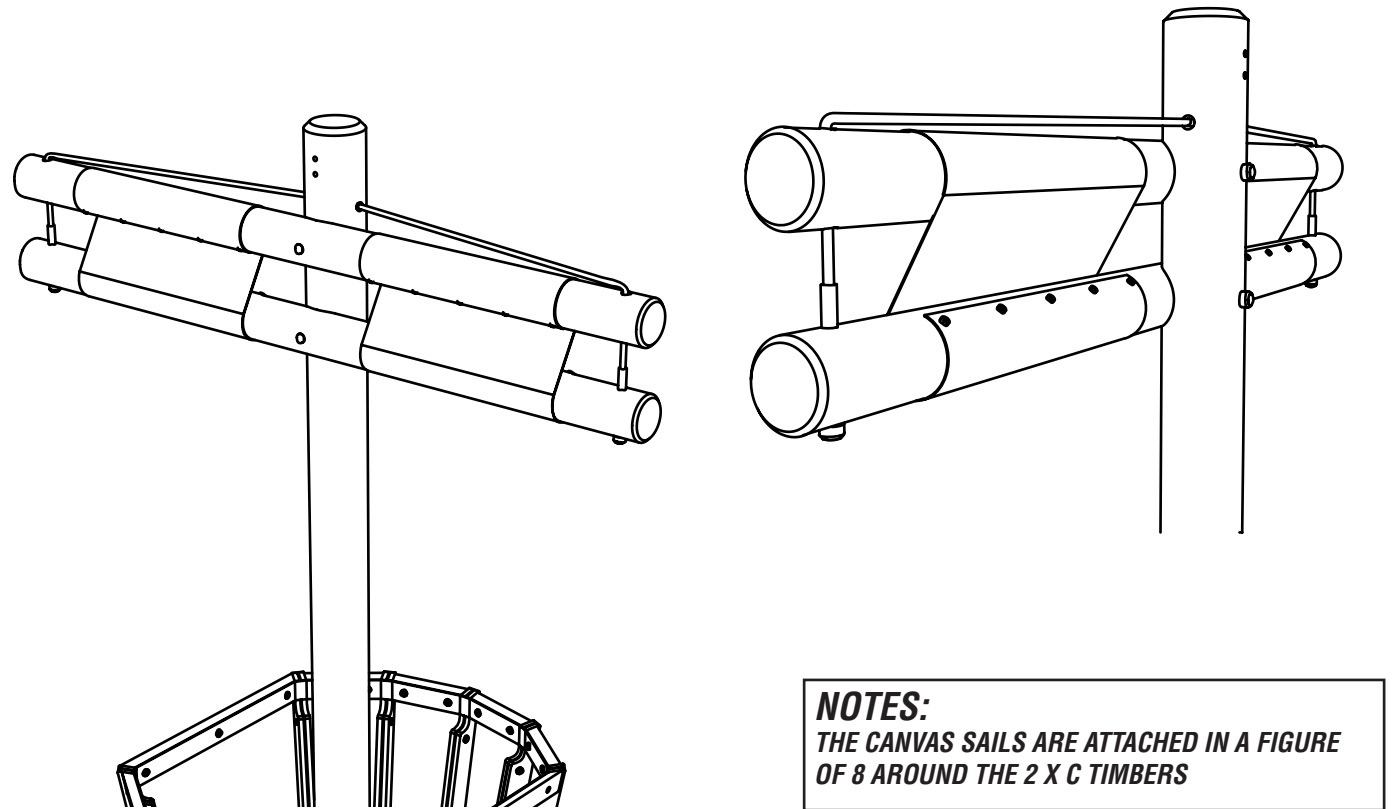
INSTALLATION INSTRUCTIONS

11 FURTHER SECURE THE C TIMBERS TO THE MAST WITH 'RIGGING ROPE' USING - 656.M12 / 102005-0 (QTY x 2) & 97.M8X180CSK



NOTES:
USE THE 180 SCREWS TO
FURTHER SECURE THE
TIMBERS

12 ATTACH THE CANVAS SAILS TO THE C TIMBERS USING - 97.M8X80CSK



NOTES:
THE CANVAS SAILS ARE ATTACHED IN A FIGURE
OF 8 AROUND THE 2 X C TIMBERS