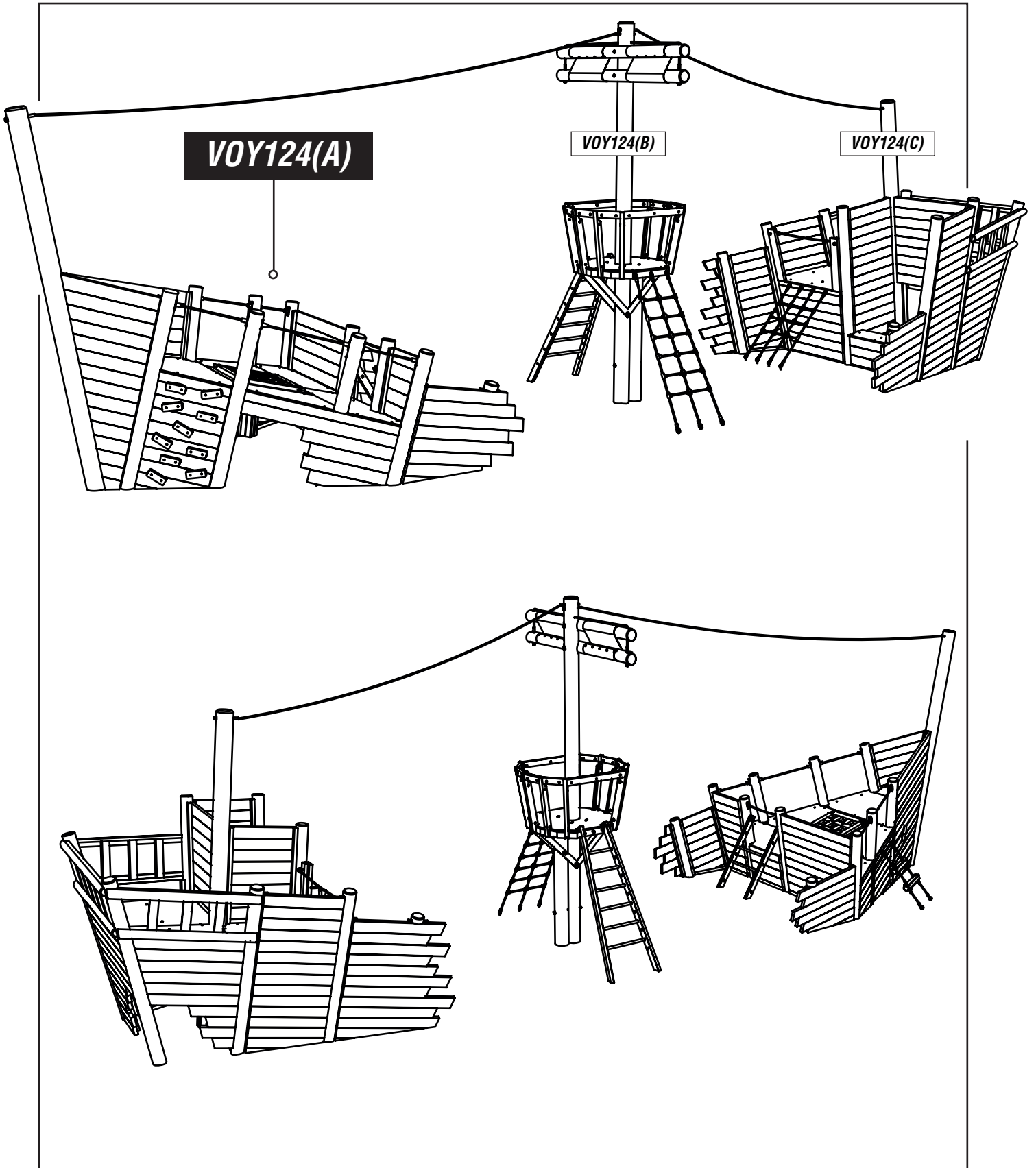


# VOY124(A) - SHIPWRECK BOW

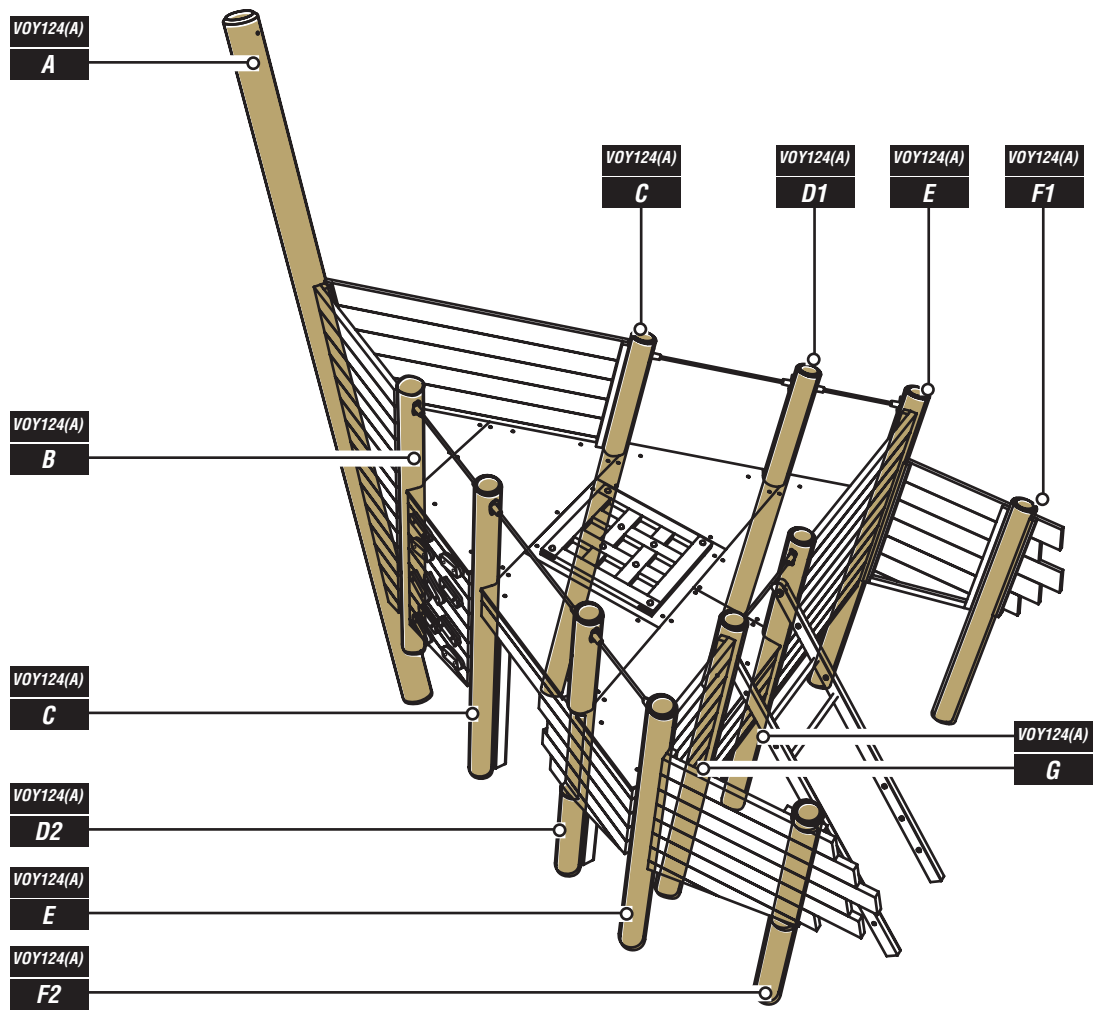
## Installation Instructions

creative  
play

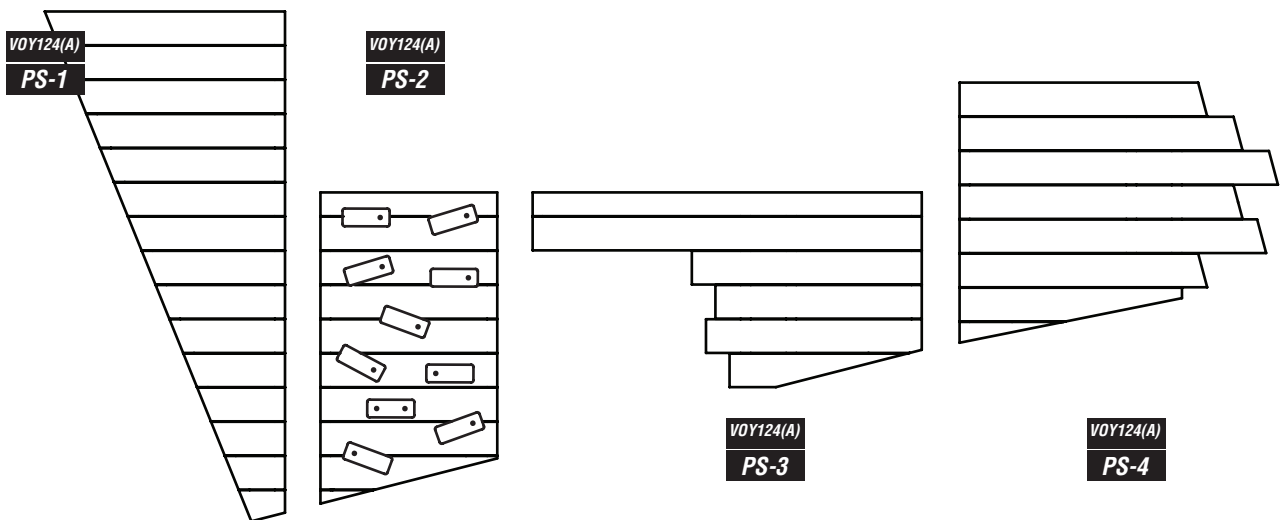


**INSTRUCTIONS FOR VOY124(A) ONLY - SEE (B) CROWS NEST & (C) STERN**

# PARTS REQUIRED

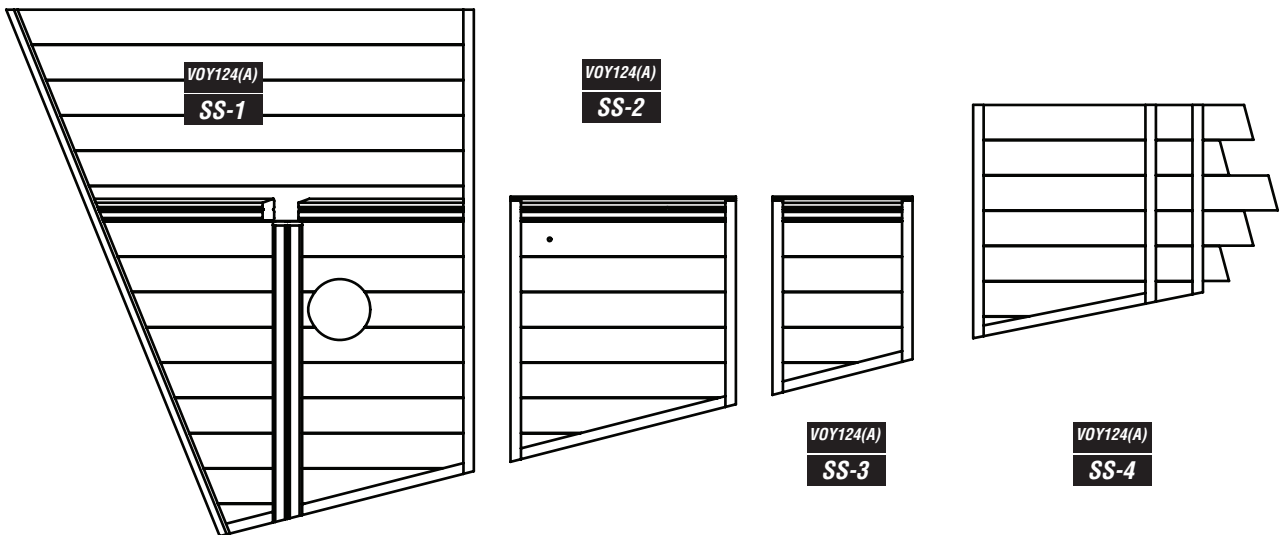


## VOY124(A) - FULL ROUND TIMBERS

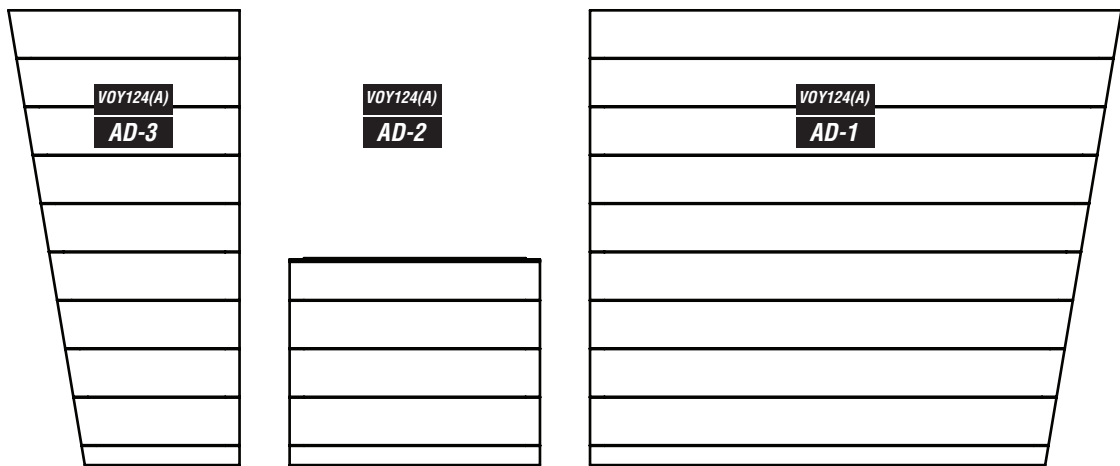


## PORTSIDE PANELS - PS1 / PS2 / PS3 / PS4

# PARTS REQUIRED

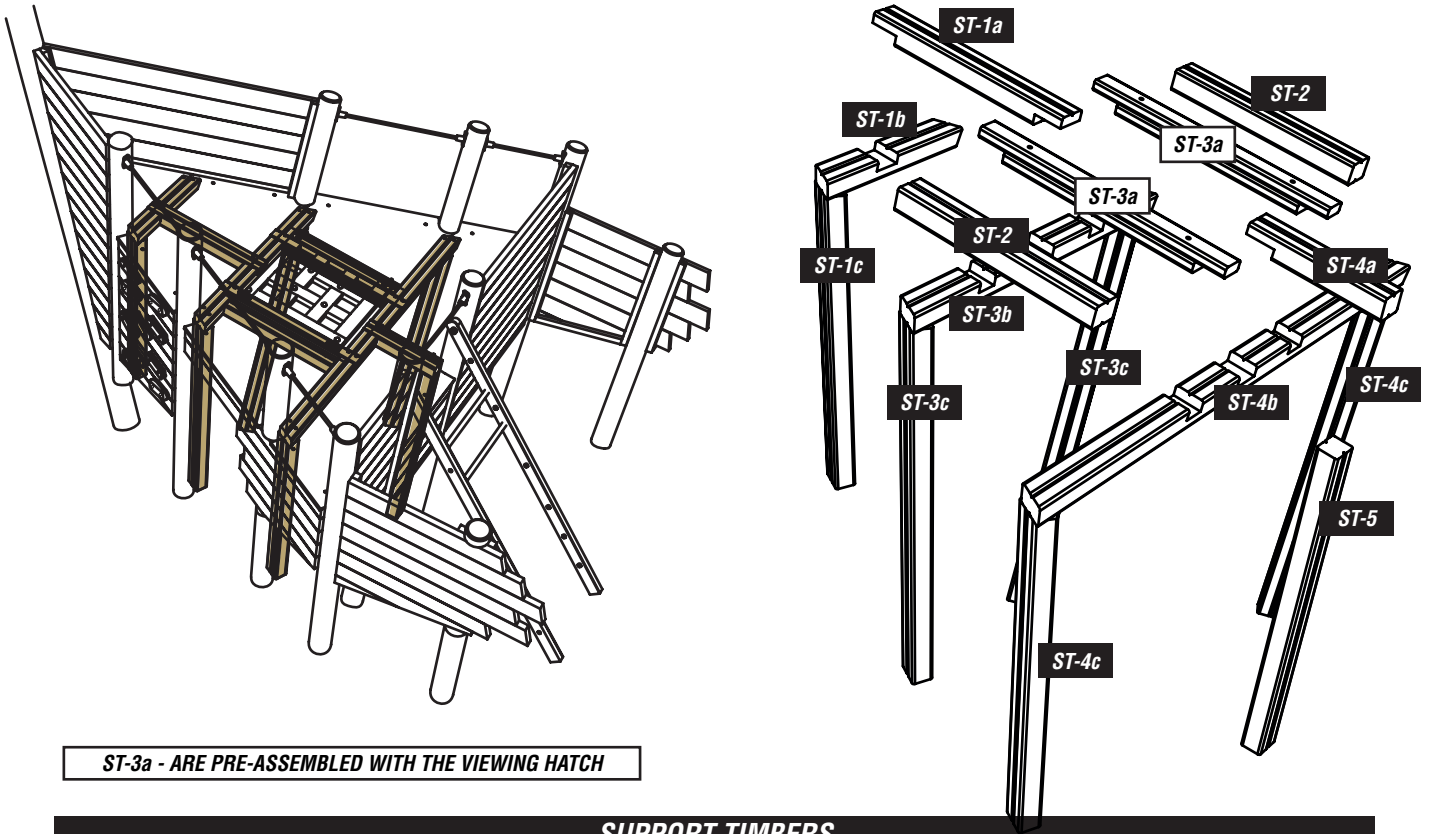


## STARBOARD SIDE PANELS - SS1 / SS2 / SS3 / SS4

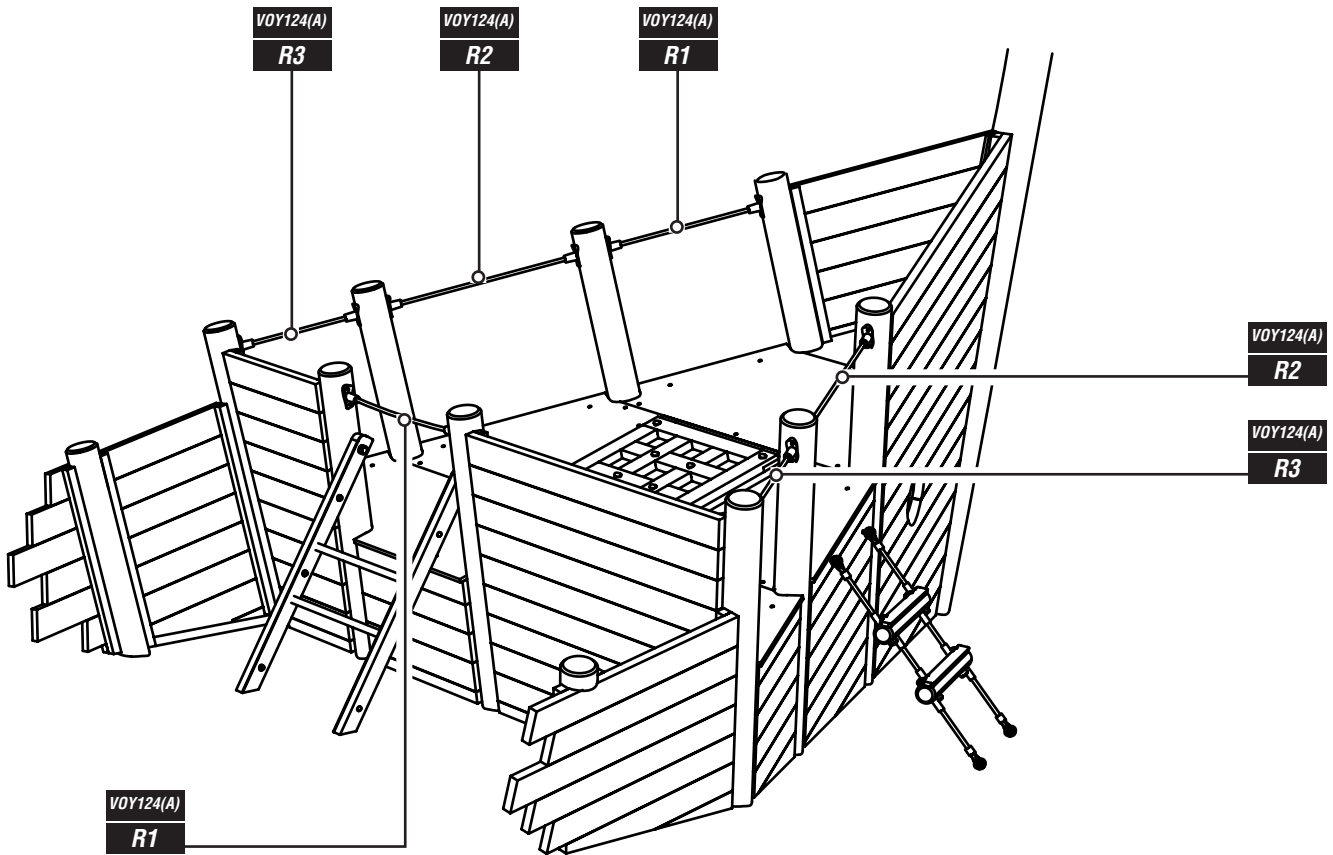


## ADDITIONAL PANELS - AD1 / AD2 / AD3

# PARTS REQUIRED

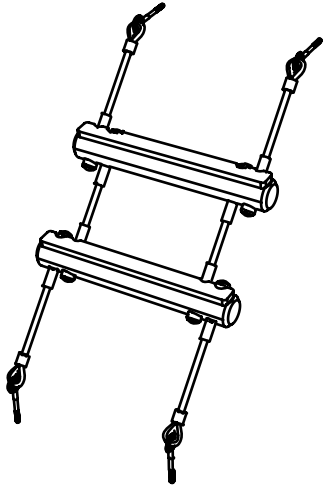


## SUPPORT TIMBERS



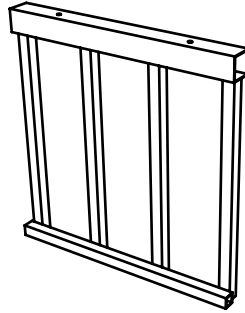
## INDIVIDUAL ROPES

# PARTS REQUIRED



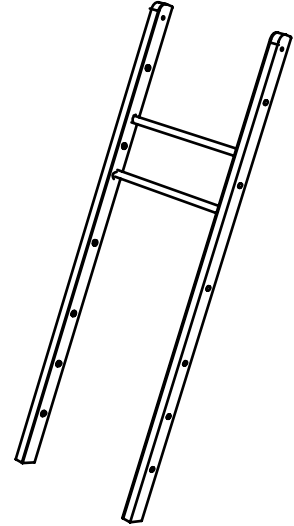
x1

**LOG LADDER (NET)**



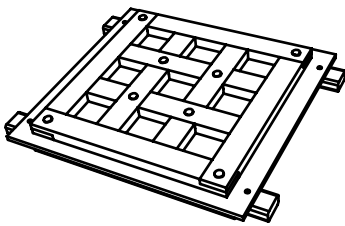
x1

**LOG LADDER SUPPORT**



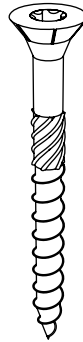
x1

**BOW LADDER**



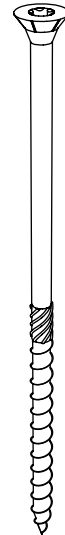
x1

**VIEWING HATCH**



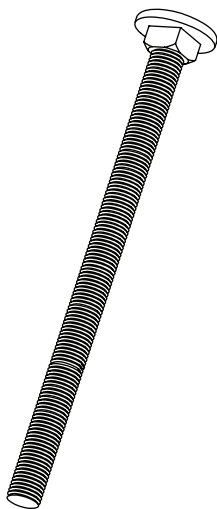
x172

**97.M8X80CSK**



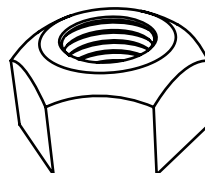
x44

**97.M8X180CSK**



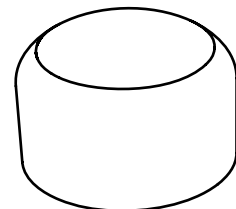
x2

**274.M12X260**



x2

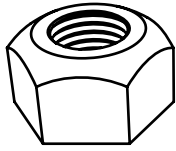
**656.M12**



x3

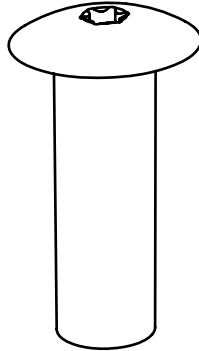
**102003-01**

# PARTS REQUIRED



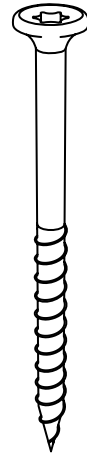
x3

656.M10



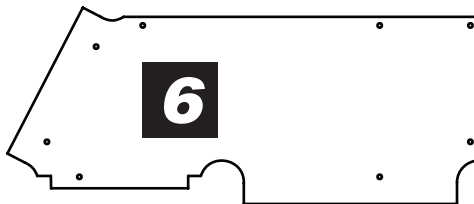
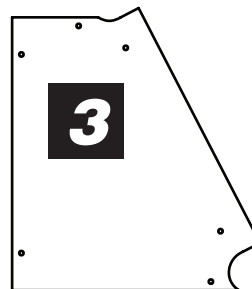
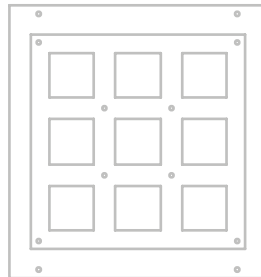
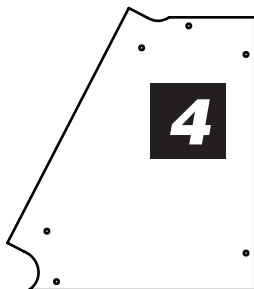
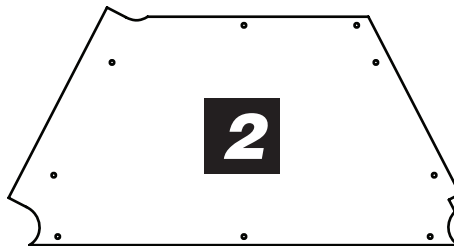
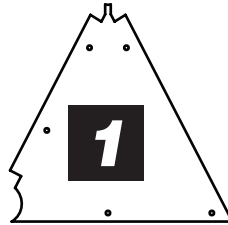
x1

M10X40 (SOCKET NUT)



x24

97.M6X80CSK

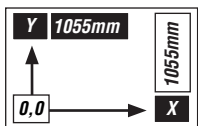
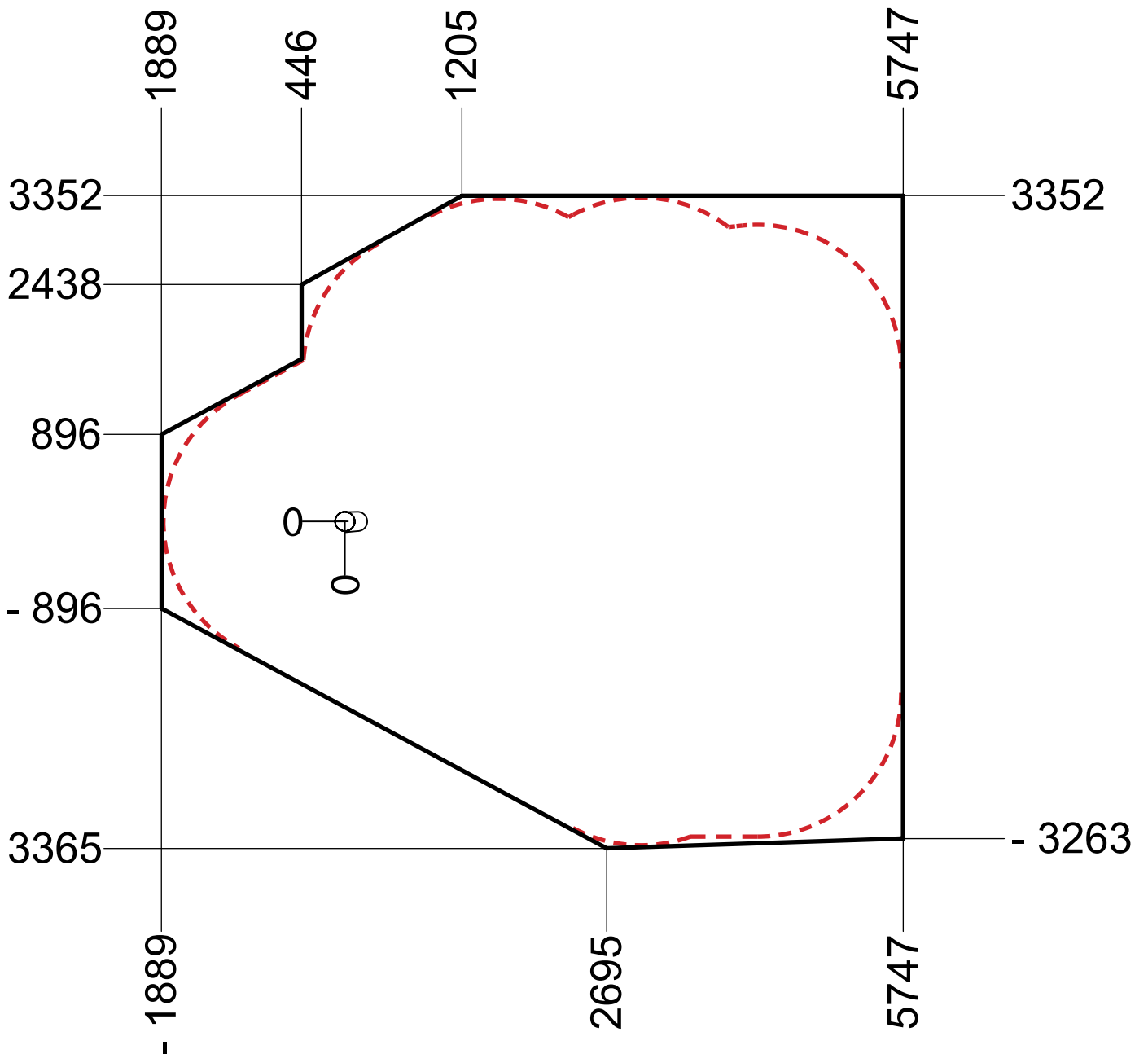


THE VIEWING HATCH IS PRE-ASSEMBLED

HEXA GRIP PARTS (FLOOR PANELS)

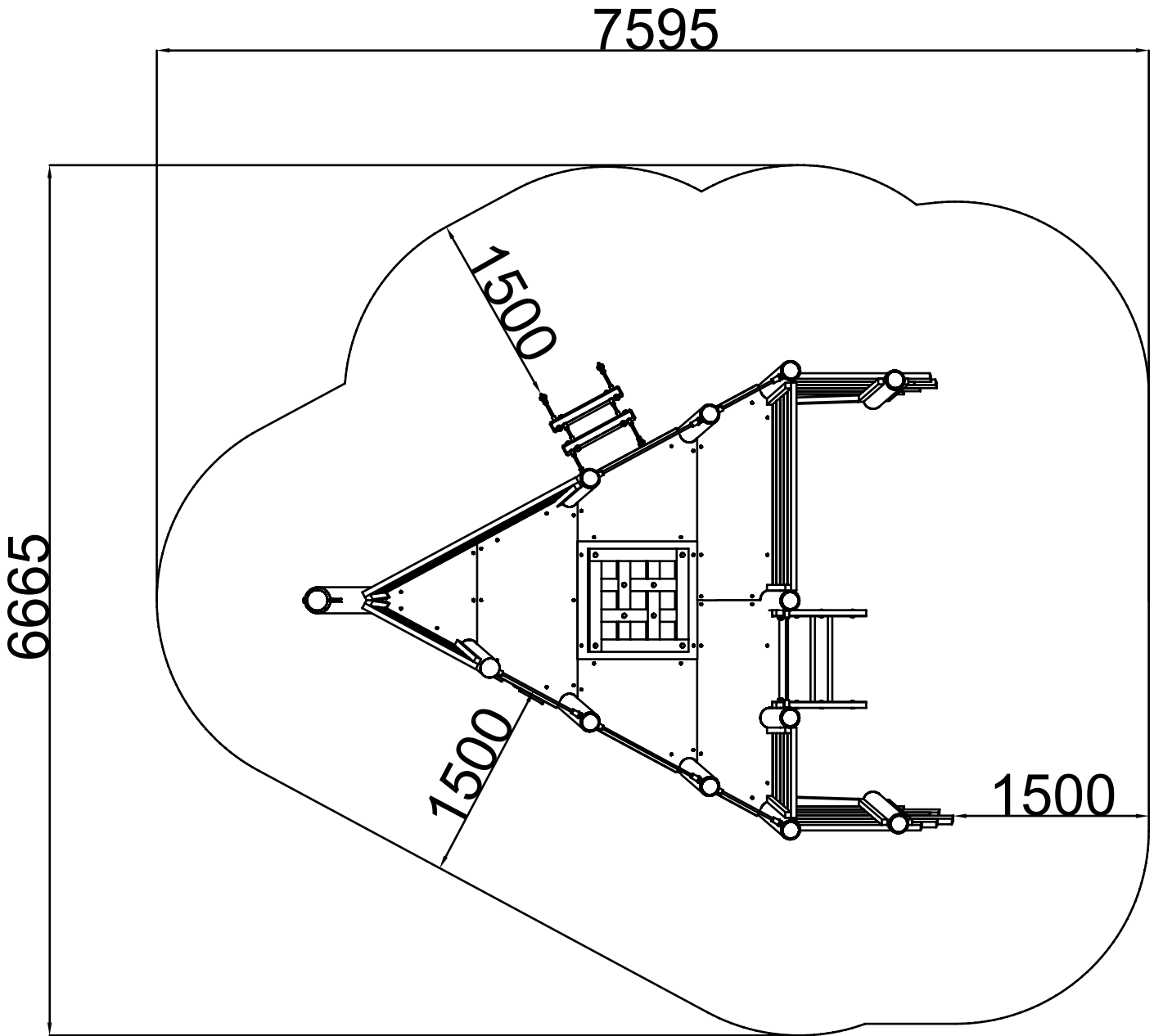
# SURFACING - OVERALL AREA

- - - = MINIMUM SPACE  
 ————— = SURFACE AREA



**\*SURFACE AREA** CORNERS OF THE SURFACING AREA CAN BE RADIUSSED (SEE NEXT PAGE)

# ***SURFACING - OVERALL AREA***

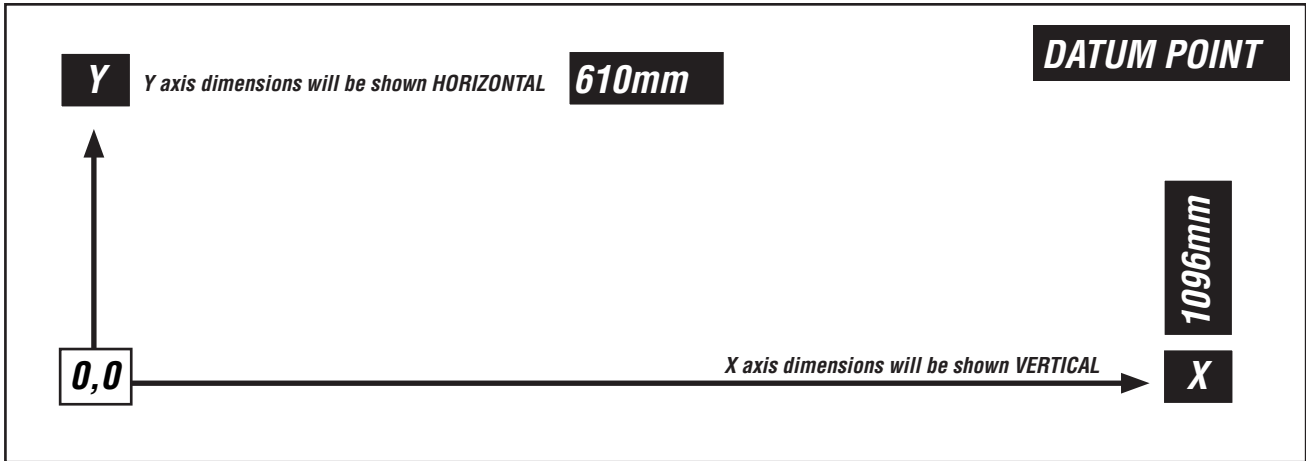


**\*SURFACE AREA** CORNERS OF THE SURFACING AREA CAN BE RADIUSSED (SEE NEXT PAGE)



# FOUNDATION DETAILS

---



## NOTES:

---

### 1) DATUM POINT

FOUNDATION MEASUREMENTS WILL BE TAKEN FROM FROM THE DATUM POINT - THIS IS LABELLED DP

### 2) GROUND LEVEL

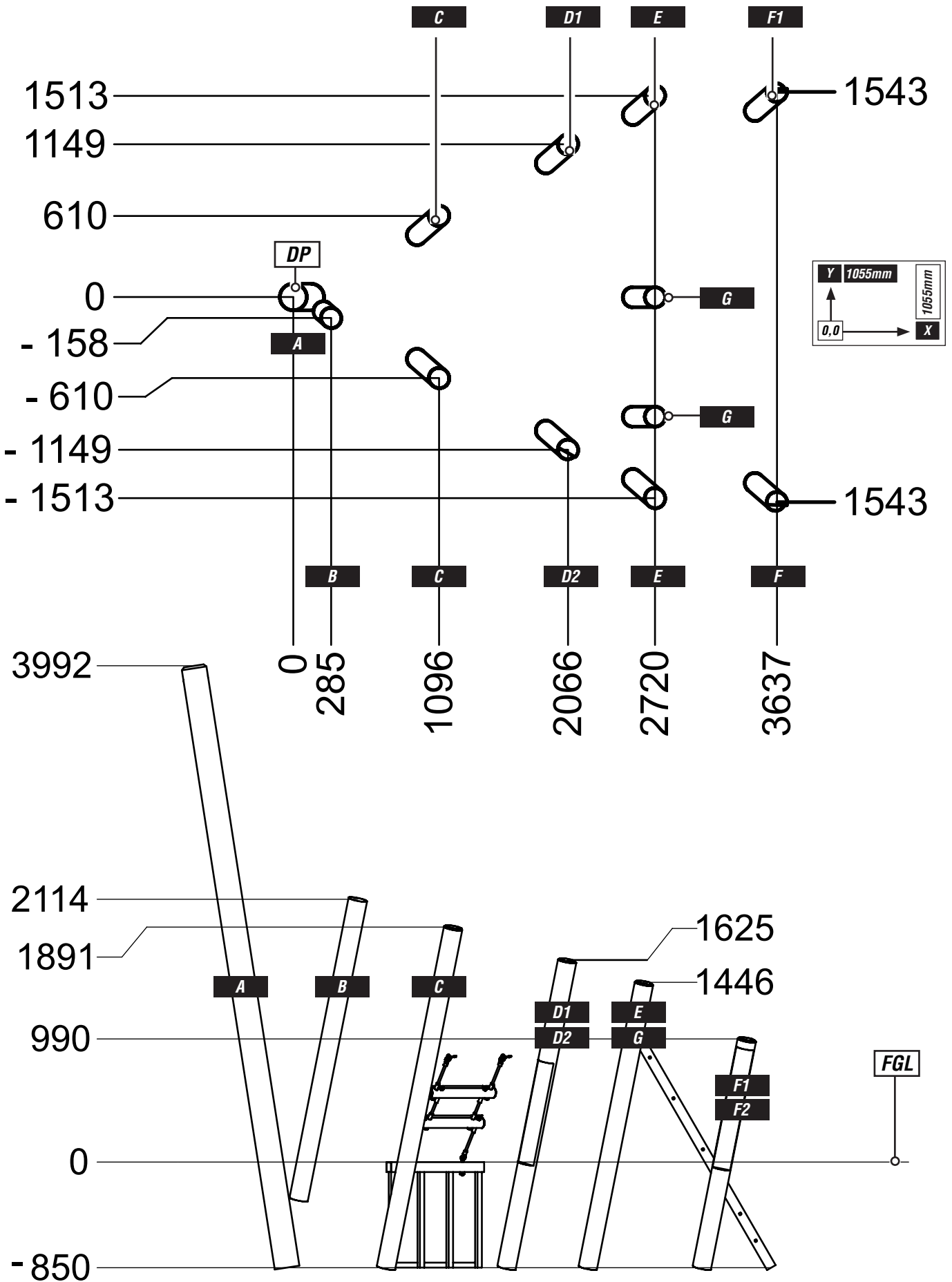
ALL MEASUREMENTS FOR DEPTHS AND HEIGHTS ARE TAKEN FROM FISINHD GROUND LEVEL - THIS IS LABELLED FGL

### 3) DIRECTION OF FOUNDATIONS

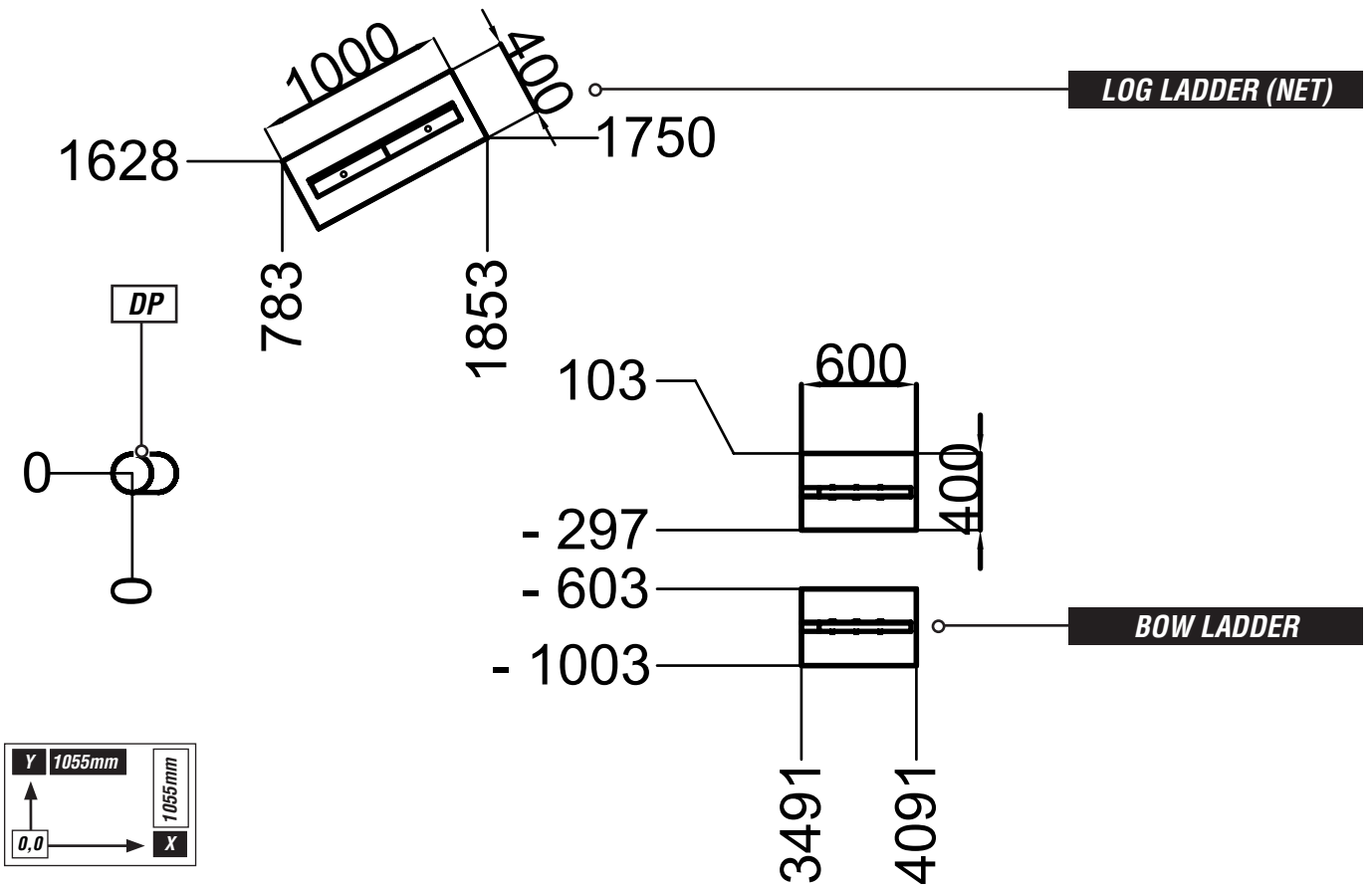
FOUNDATIONS ARE MEASURED TO THE CENTRE OF THE POST AT FGL - THE REMAINDER OF THE POST (IN THE GROUND) IS SHOWN TO HIGHLIGHT THE DIRECTION OF THE POST (AND FOUNDATION)

# FOUNDATIONS - MAIN POSTS

ALL POSTS WILL BE VOY124(A) A-G



# FOUNDATIONS - ADDITIONAL ITEMS



# INSTALLATION NOTES

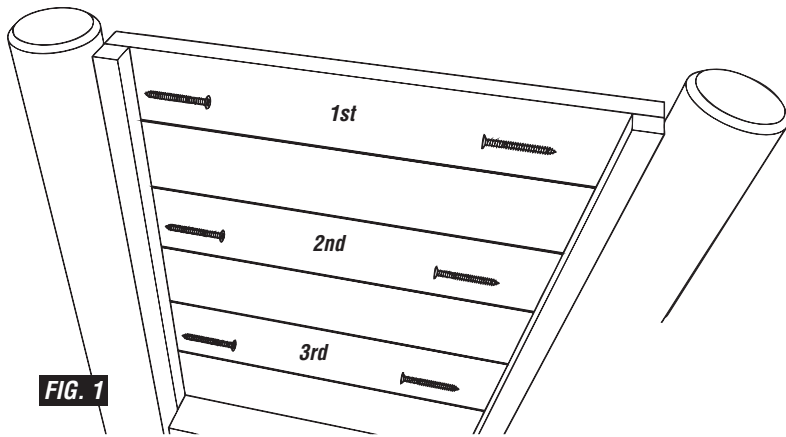


FIG. 1

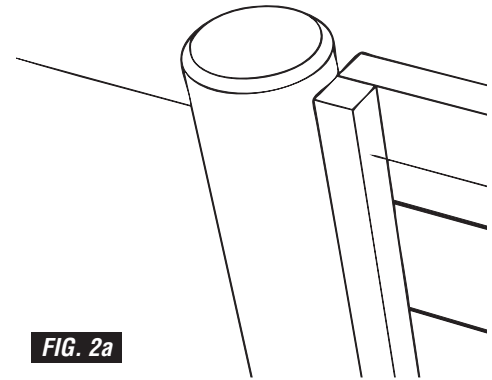


FIG. 2a

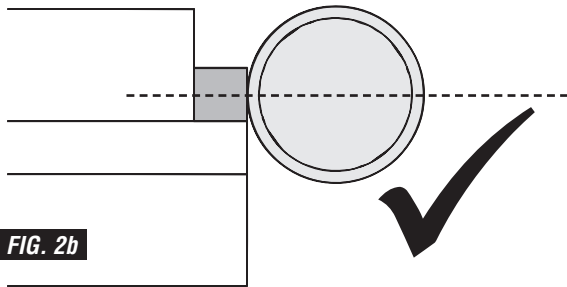


FIG. 2b

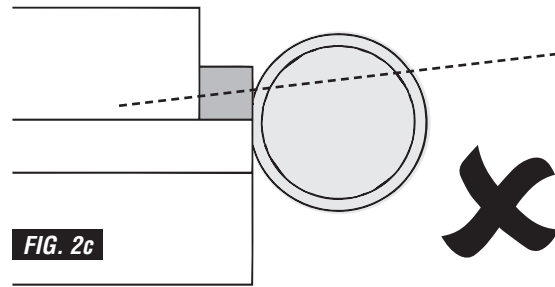


FIG. 2c

**A) TAKE EXTRA CARE WHEN ATTACHING THE ANGLED TIMBERS - IT IS ESSENTIAL THAT THESE TIMBERS ARE INSTALLED CORRECTLY TO ENSURE THE PRE-ASSEMBLED PANELS MEET WHERE INTENDED**

**B) THE PRE-ASSEMBLED PANELS HAVE 43X43 TIMBERS EITHER SIDE - SCREW THROUGH THE SUPPORT AND INTO THE ROUND TIMBER (FIG. 1)**

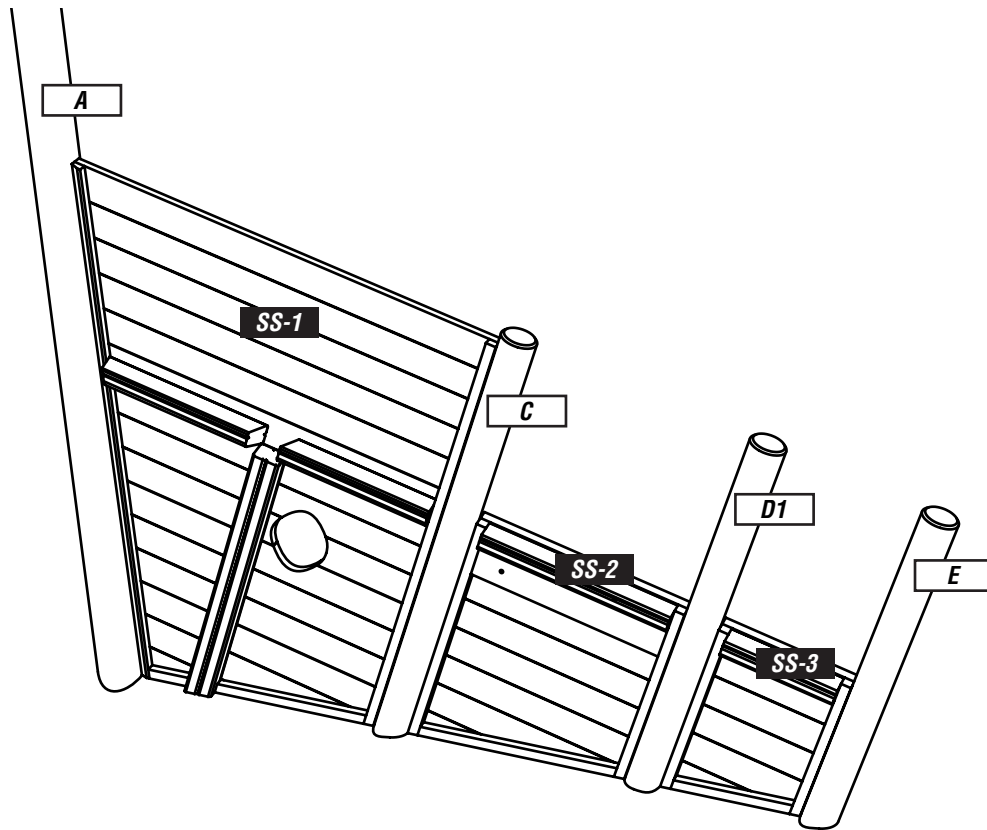
**C) ENSURE THE 43X43 TIMBER SUPPORT IS POSITIONED IN THE CENTRE OF THE ROUND TIMBER IT IS ATTACHING TO (FIG. 2a / 2b / 2c)**

**D) IT IS NOT NECESSARY TO SCREW IN THE ROUND TIMBER POSTS 'EVERY BOARD WIDTH' - LEAVE OUT ALTERNANT BOARDS EG 1ST / 3RD / 5TH (THIS WILL DEPEND ON THE OVERALL SIZE OF THE PRE-ASSEMBLED PANEL - LARGER PANELS E.G. 1ST / 5TH / 9TH)**

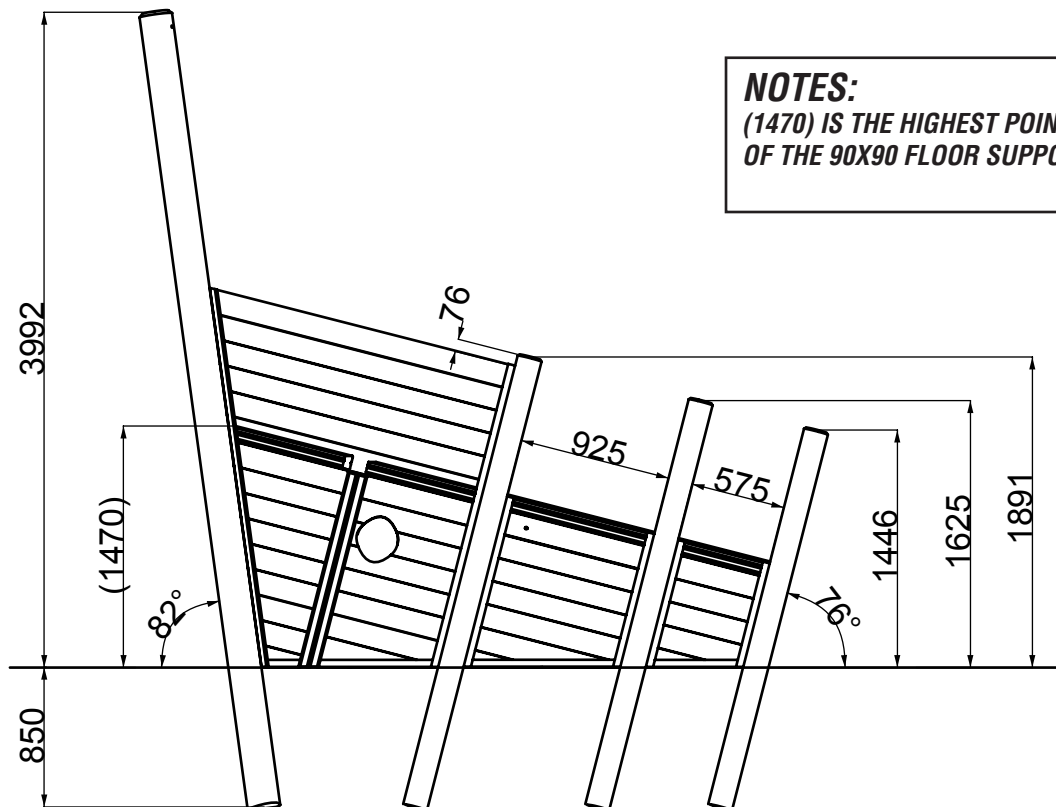
# INSTALLATION INSTRUCTIONS

## 1 ATTACH STARBOARD PANELS TO MAIN POSTS USING - 97.M8X80CSK (QTY x 28)

|        |      |      |      |   |
|--------|------|------|------|---|
| POSTS  | A    | C    | D1   | E |
| PANELS | SS-1 | SS-2 | SS-3 |   |



## 2 ENSURE THE ASSEMBLY IS AS SHOWN BELOW HEIGHTS OF POSTS ARE TAKEN FROM FGL TO POST CENTRES



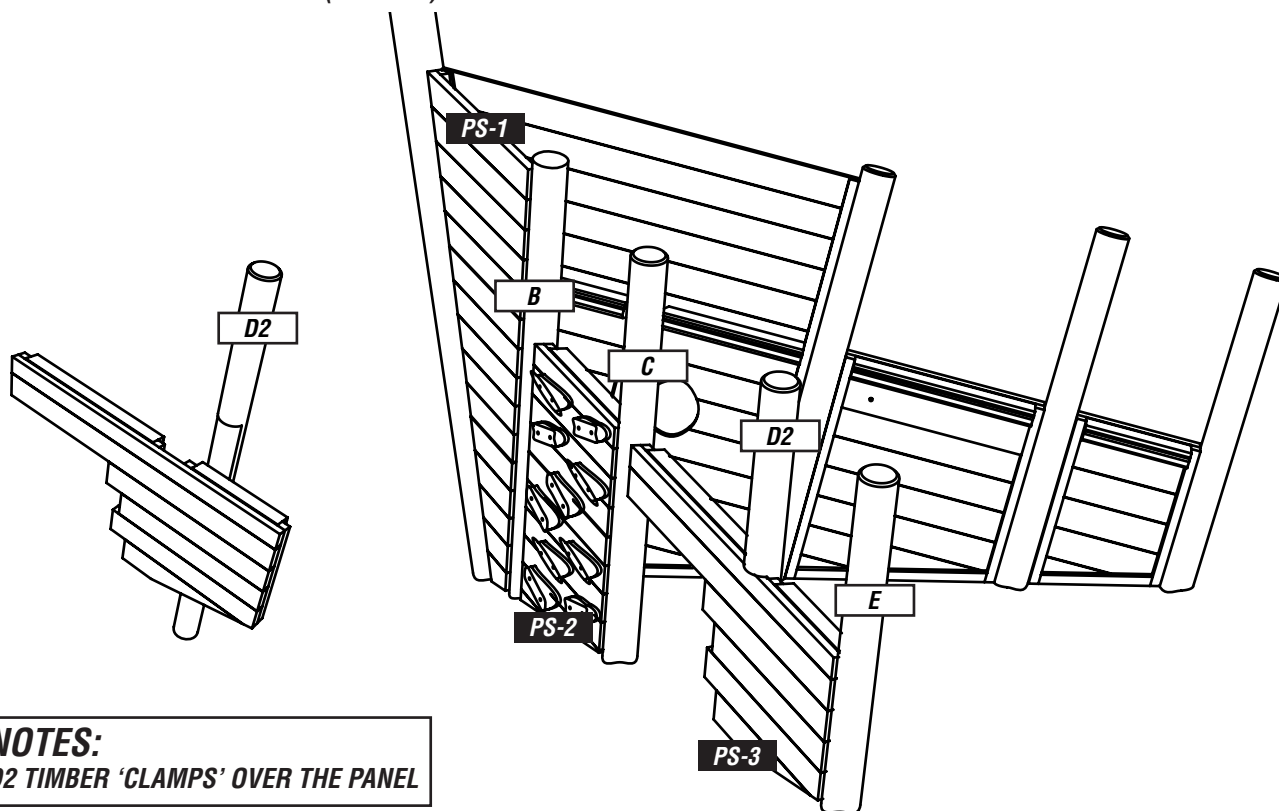
**NOTES:**  
(1470) IS THE HIGHEST POINT / EDGE  
OF THE 90X90 FLOOR SUPPORTS

# INSTALLATION INSTRUCTIONS

## 3 ATTACH PORTSIDE PANELS TO MAIN POSTS

USING - 97.M8X80CSK (QTY x 38)

|        |      |      |      |   |
|--------|------|------|------|---|
| POSTS  | B    | C    | D2   | E |
| PANELS | PS-1 | PS-2 | PS-3 |   |

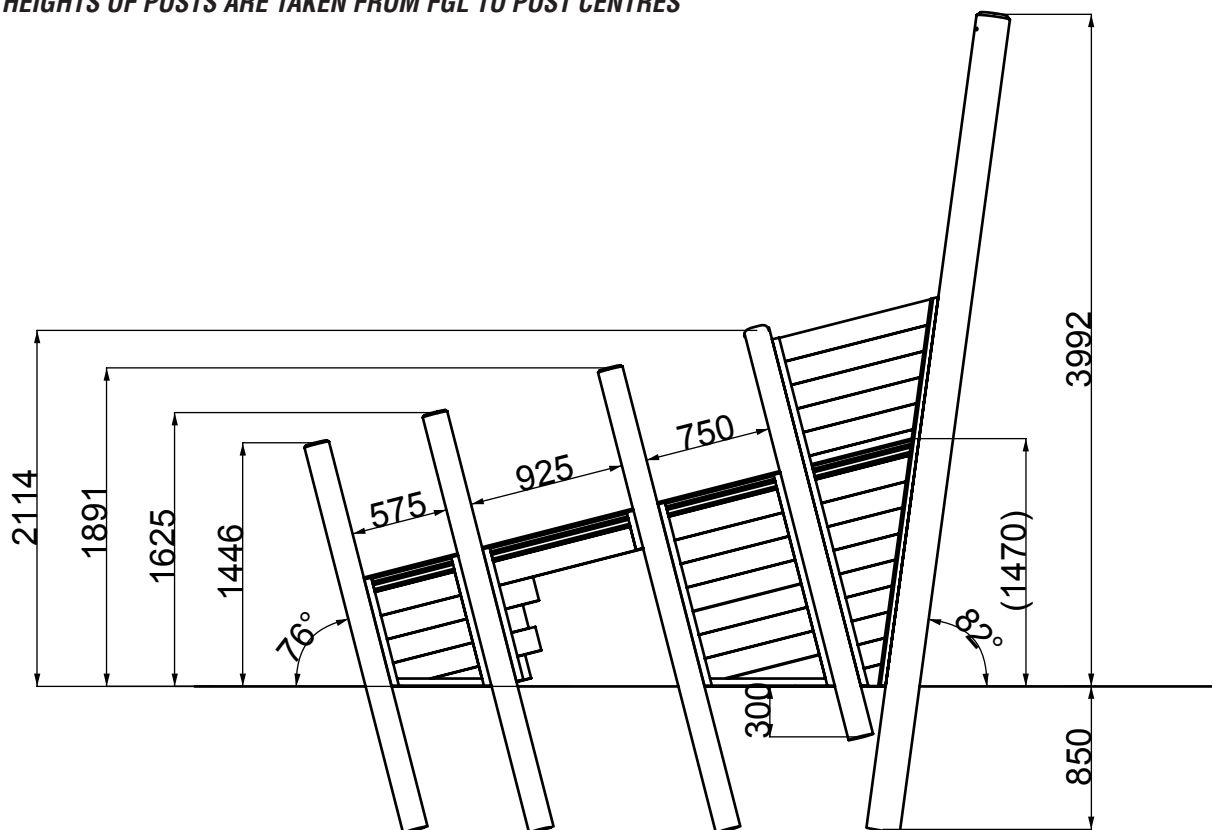


### NOTES:

D2 TIMBER 'CLAMPS' OVER THE PANEL

## 4 CHECK THE ASSEMBLY AGAINST THE BELOW INFORMATION

HEIGHTS OF POSTS ARE TAKEN FROM FGL TO POST CENTRES

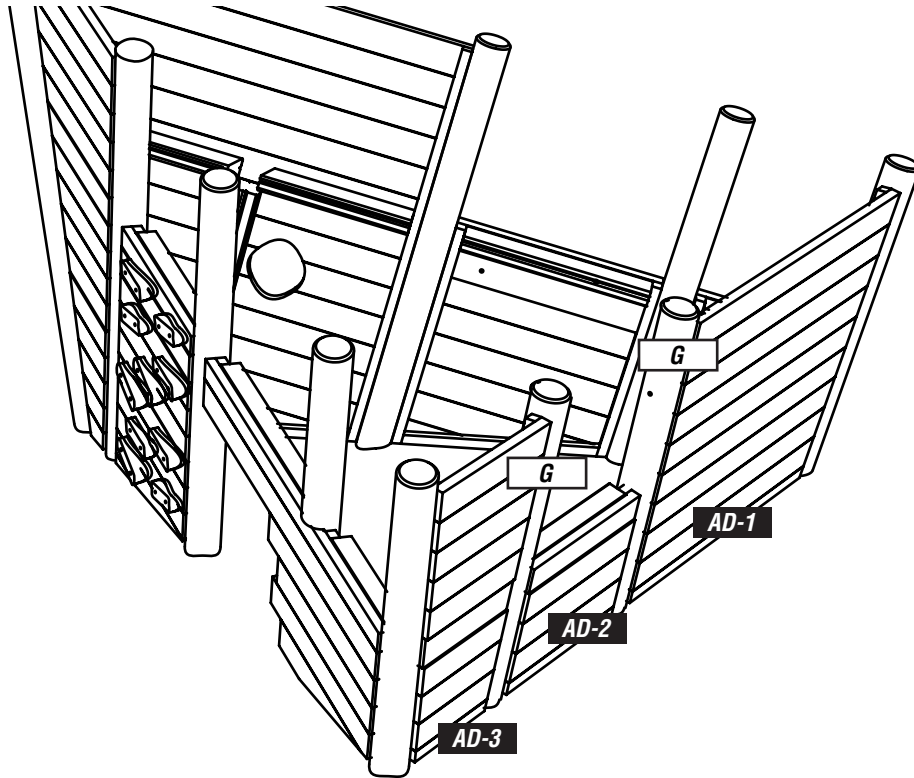


# INSTALLATION INSTRUCTIONS

## 5 ATTACH ADDITIONAL PANELS TO MAIN POSTS

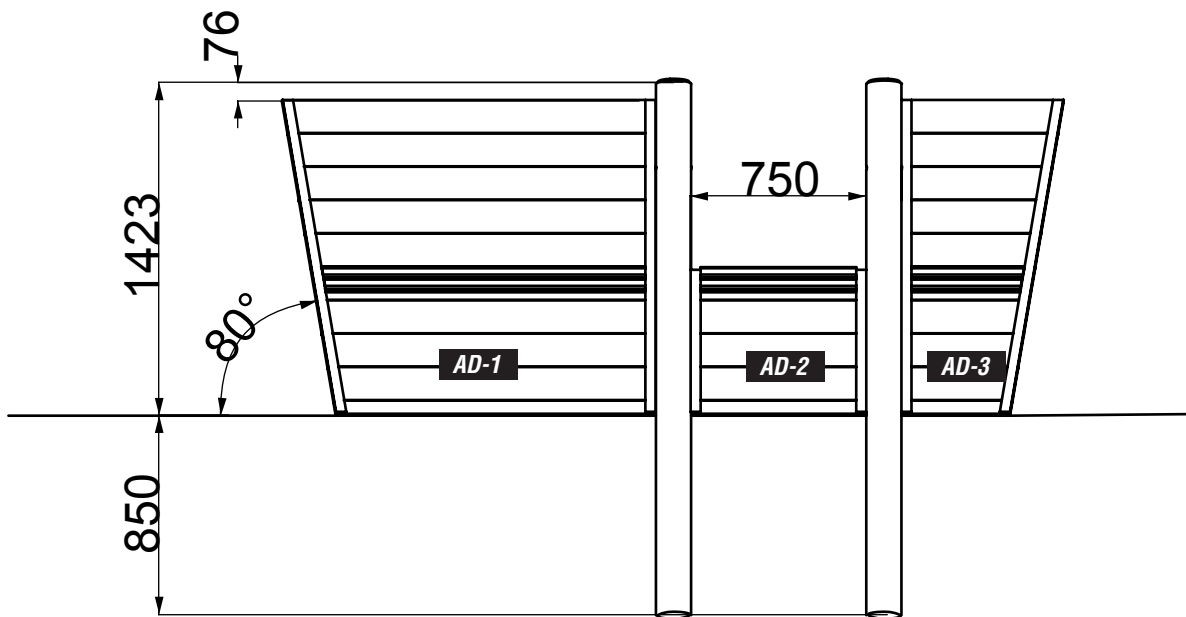
USING - 97.M8X80CSK (QTY x 28)

|        |      |      |      |
|--------|------|------|------|
| POSTS  | G    | G    |      |
| PANELS | AD-1 | AD-2 | AD-3 |



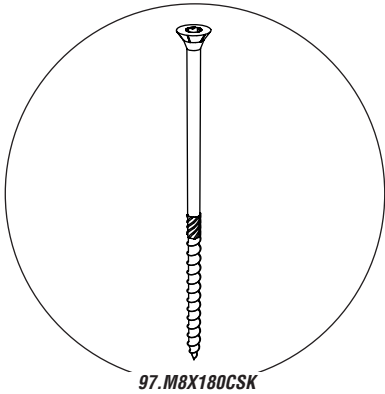
## 6 CHECK THE ASSEMBLY AGAINST THE BELOW INFORMATION

HEIGHTS OF POSTS ARE TAKEN FROM FGL TO POST CENTRES

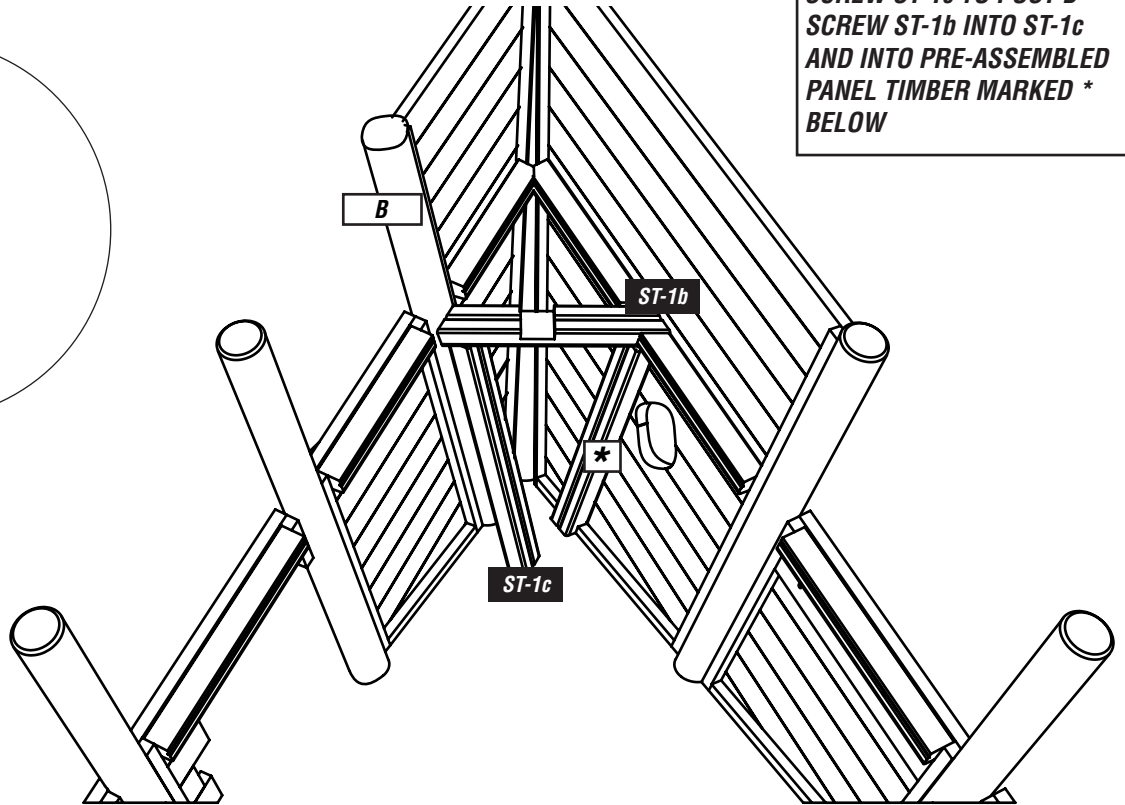


# INSTALLATION INSTRUCTIONS

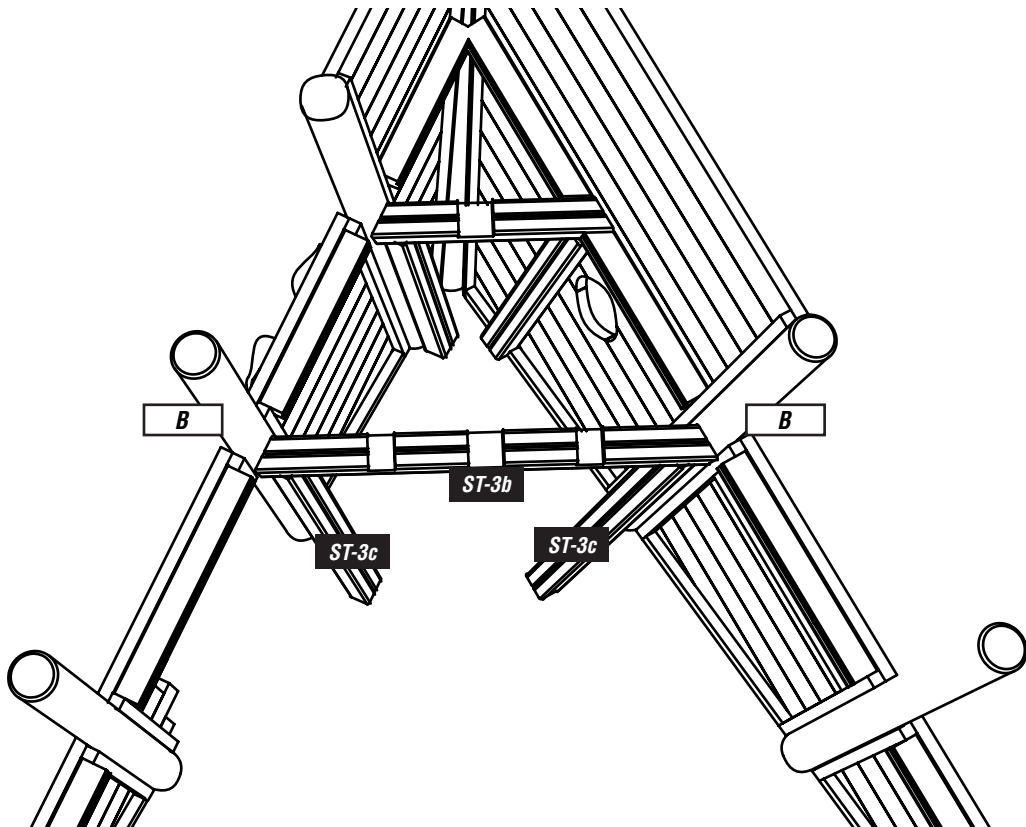
## 7 ATTACH THE SUPPORT TIMBERS ST-1c & ST-1b USING - 97.M8X180CSK (QTY x 8)



**NOTES:**  
SCREW ST-1c TO POST B  
SCREW ST-1b INTO ST-1c  
AND INTO PRE-ASSEMBLED  
PANEL TIMBER MARKED \*  
BELOW



## 8 ATTACH THE SUPPORT TIMBERS ST-3c & ST-3b USING - 97.M8X180CSK (QTY x 12)



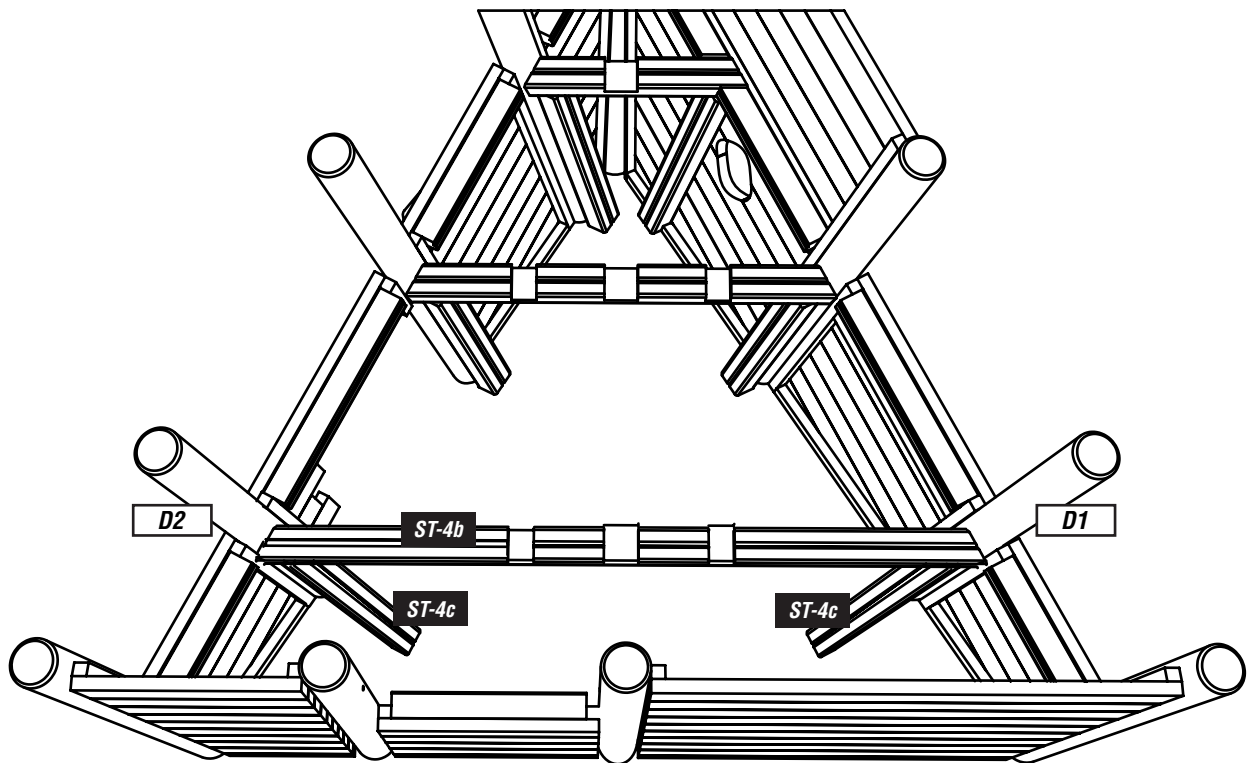


# INSTALLATION INSTRUCTIONS

**9**

**ATTACH THE SUPPORT TIMBERS ST-4c & ST-4b**

USING - 97.M8X180CSK (QTY x 12)

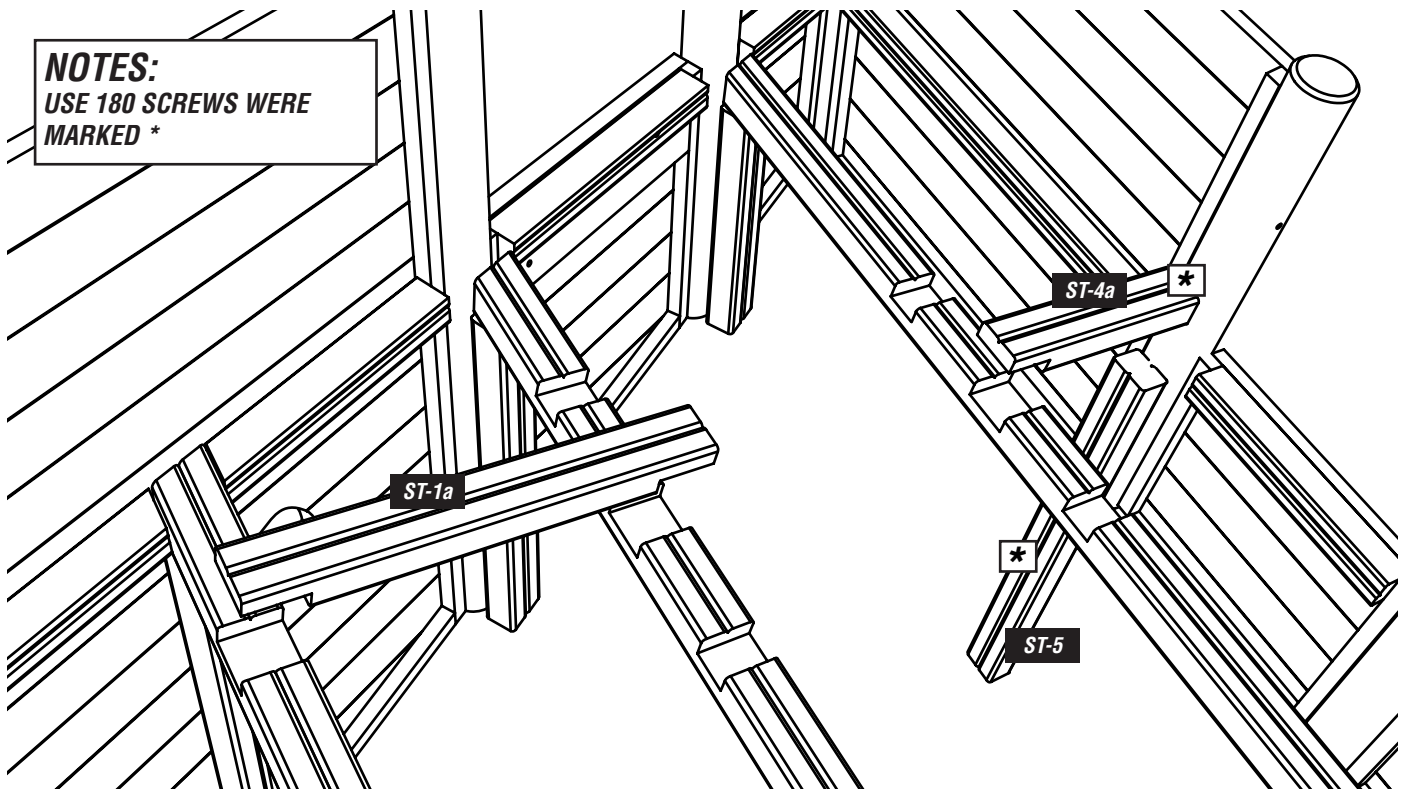


**10**

**ATTACH THE SUPPORT TIMBERS ST-1a, ST-4a & ST-5**

USING - 97.M8X80CSK (QTY x 6) / 97.M8X180CSK (QTY x 4)

**NOTES:**  
USE 180 SCREWS WERE  
MARKED \*

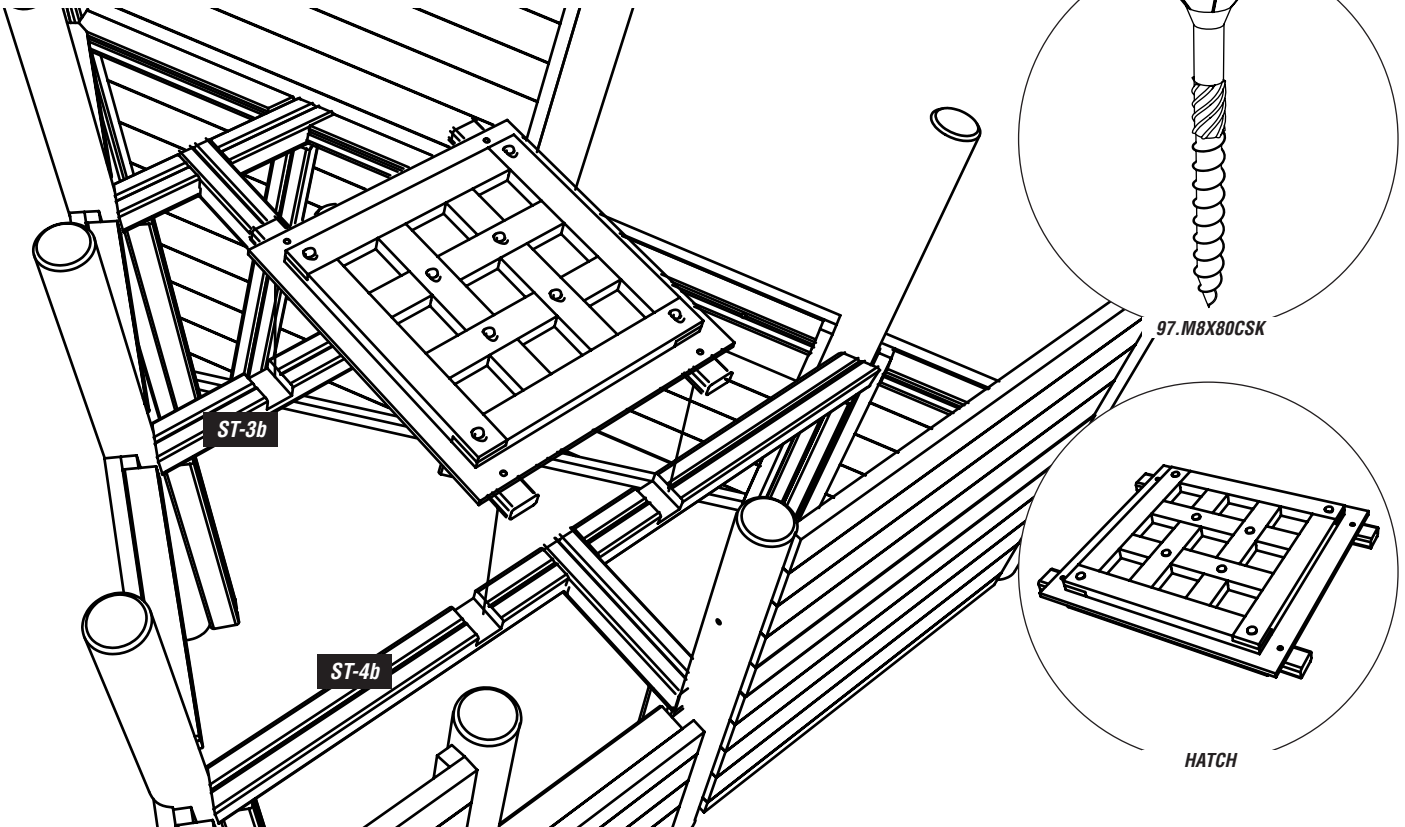


# INSTALLATION INSTRUCTIONS

**11**

## ATTACH PRE-ASSEMBLED VIEWING HATCH

USING - 97.M8X80CSK (QTY x 12)



**12**

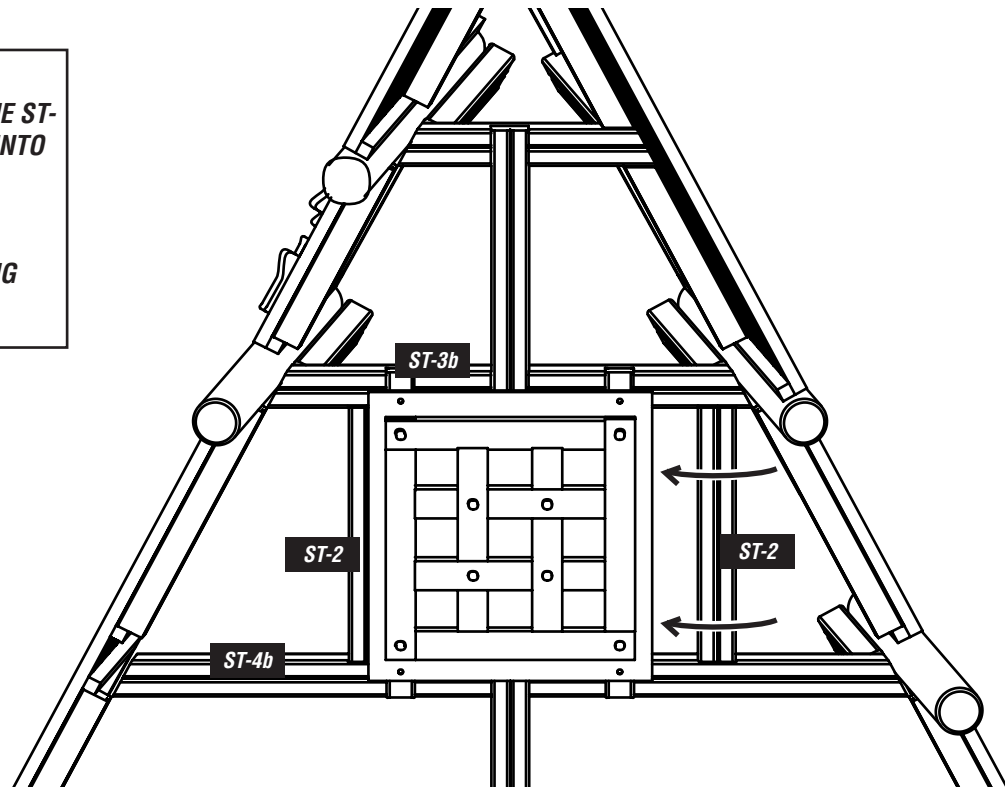
## ATTACH THE SUPPORT TIMBERS ST-2 TO ST-3b & ST4b TIMBERS

USING - 97.M8X180CSK (QTY x 8)

### NOTES:

SCREW THROUGH THE ST-3b & ST4b TIMBERS INTO THE ST-2 TIMBERS

ST-2 TIMBERS SIT AGAINST THE VIEWING HATCH SUPPORTS

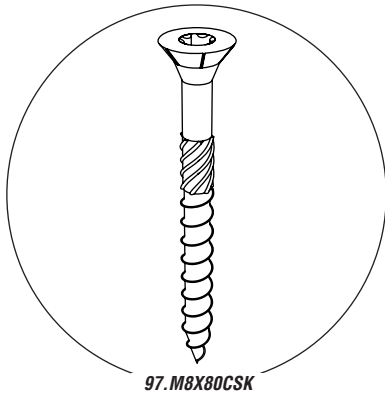


# INSTALLATION INSTRUCTIONS

**13**

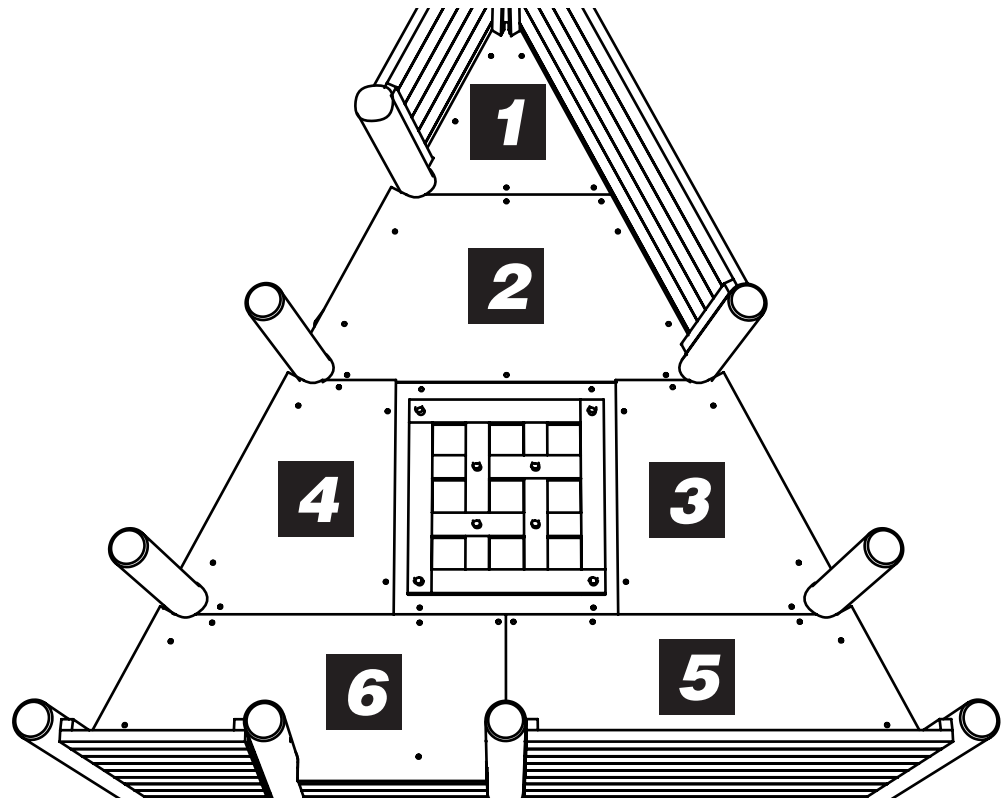
## INSTALL THE HEXA GRIP PARTS (FLOOR PANELS)

USING - 97.M8X80CSK (QTY x 42)



**NOTES:**

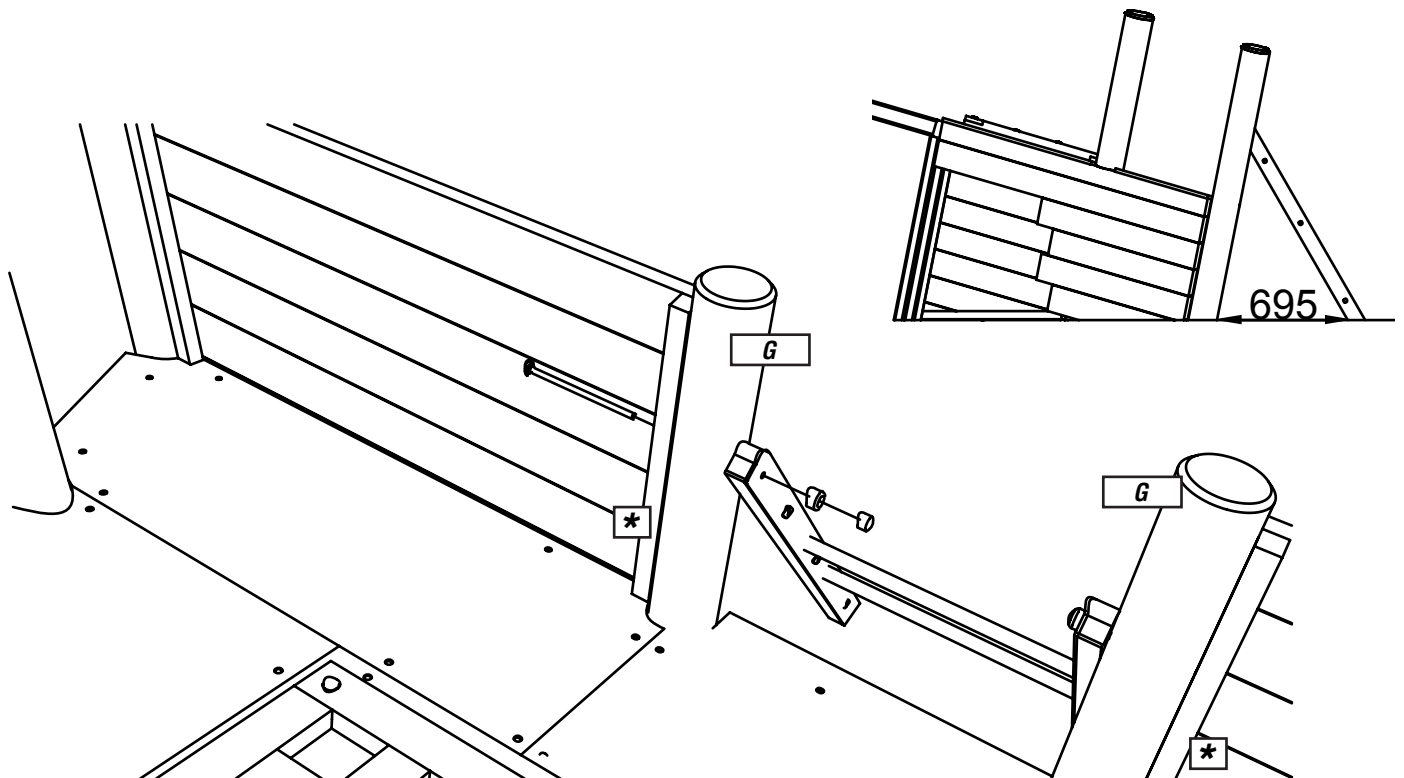
POSITION ALL PANELS AND ENSURE ANY GAPS ARE UNIFORM BEFORE SECURING TO THE FLOOR SUPPORTS BELOW



**14**

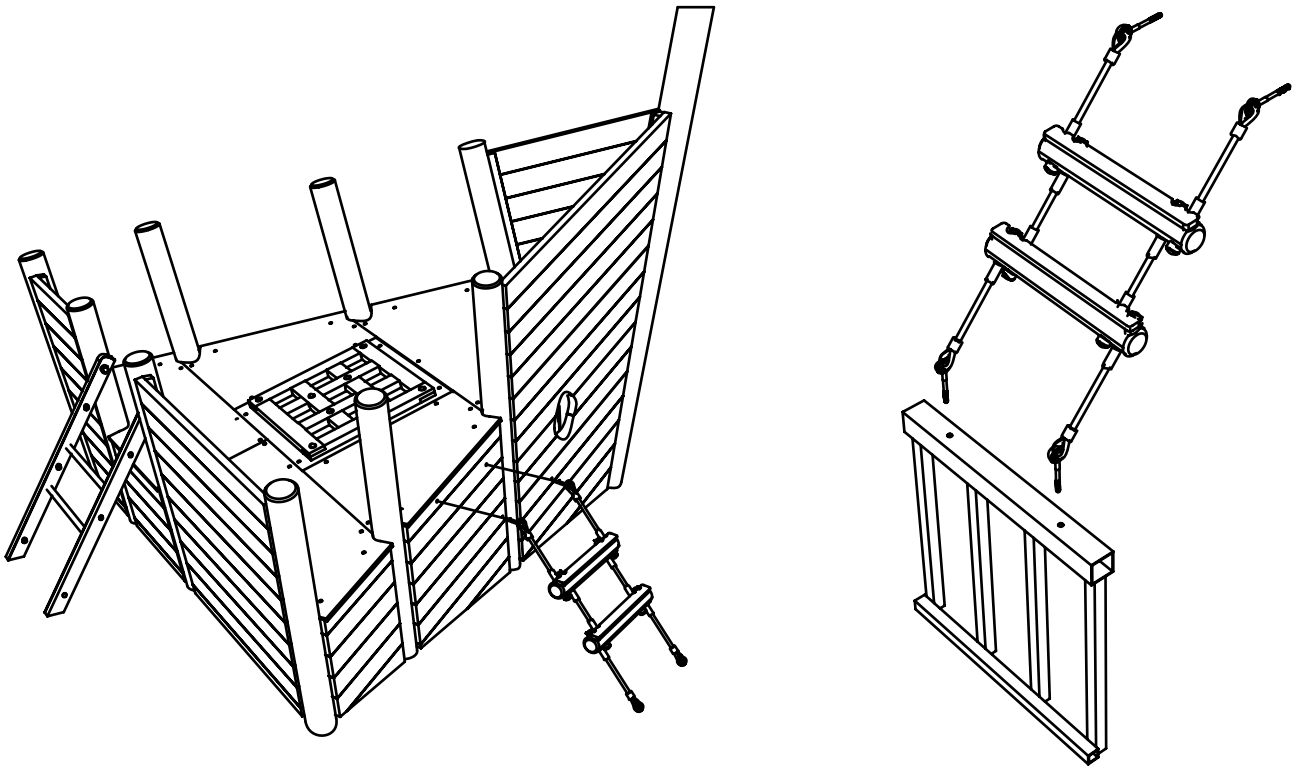
## MARK / DRILL / BOLT BOW LADDER TO G TIMBERS

USING - 274.M12X260 / 656.M12 / 102003-01 (QTY X 2 OF EACH)

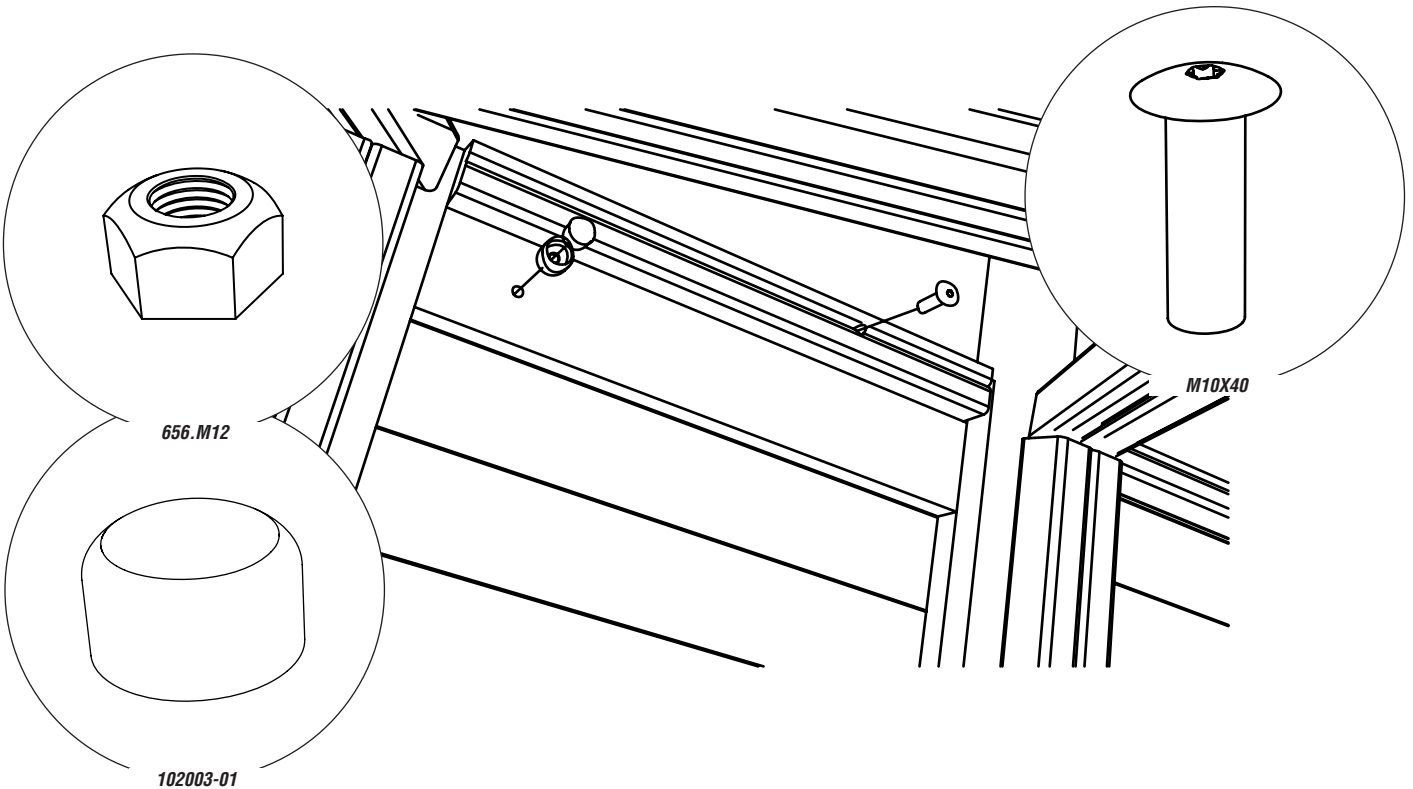


# INSTALLATION INSTRUCTIONS

## **15** ATTACH THE LOG LADDER TO THE SUPPORT & POSITION USING - 656.M10 (QTY x 2)

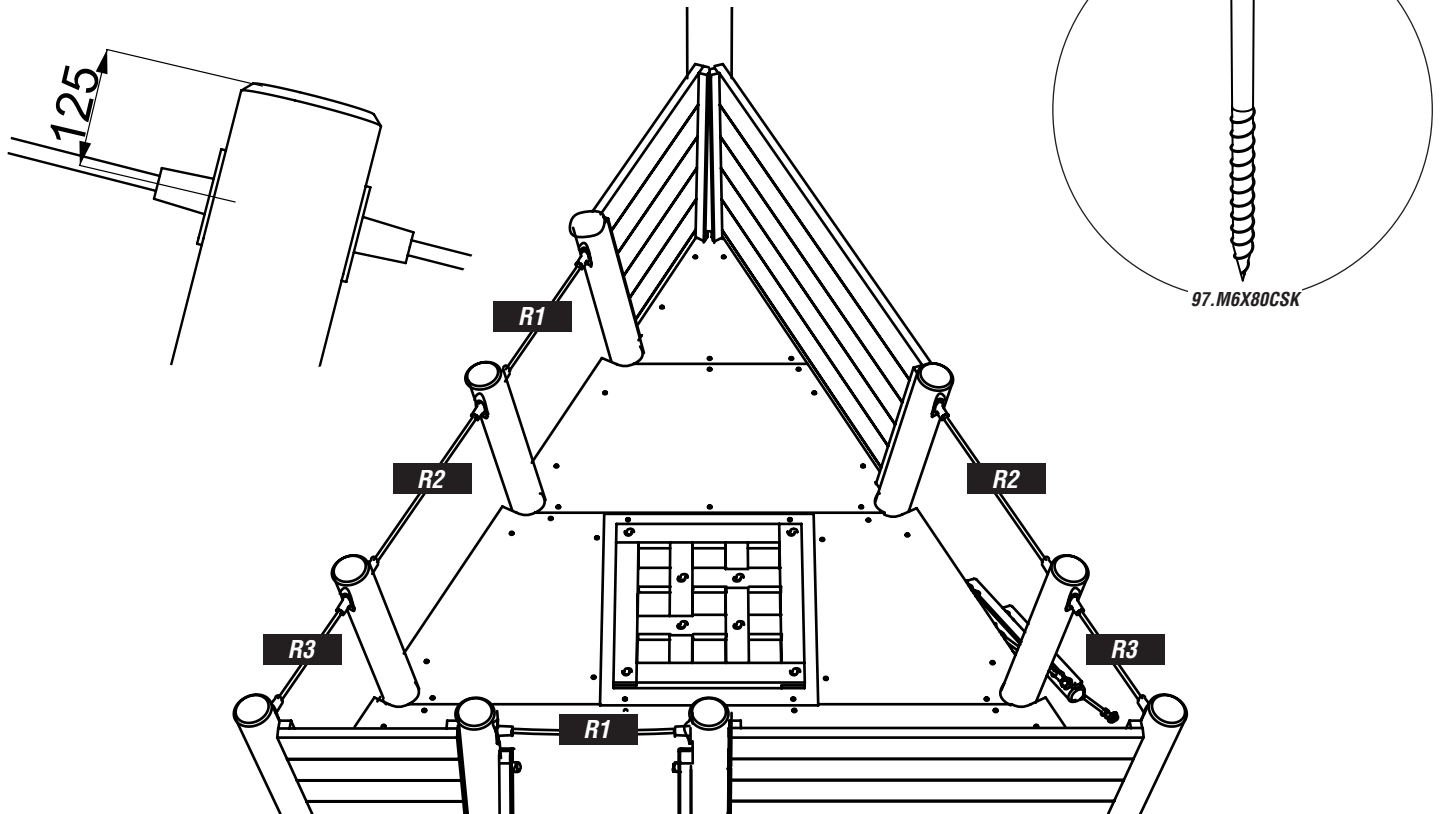


## **16** MARK / DRILL / BOLT BOW LADDER TO G TIMBERS USING - 656.M10 / 102003-01 (LEFT) M10X40 SOCKET NUT (RIGHT)



# INSTALLATION INSTRUCTIONS

## 17 SCREW INDIVIDUAL ROPES TO THE MAIN POSTS USING -97.M6X80CSK (QTY x 24)



## 18 ATTACH PANELS PS-4 / SS-4 TO TIMBERS F1 / F2 USING - 97.M8X80CSK (QTY x 18)

|        |      |      |
|--------|------|------|
| POSTS  | F1   | F2   |
| PANELS | SS-4 | PS-4 |

