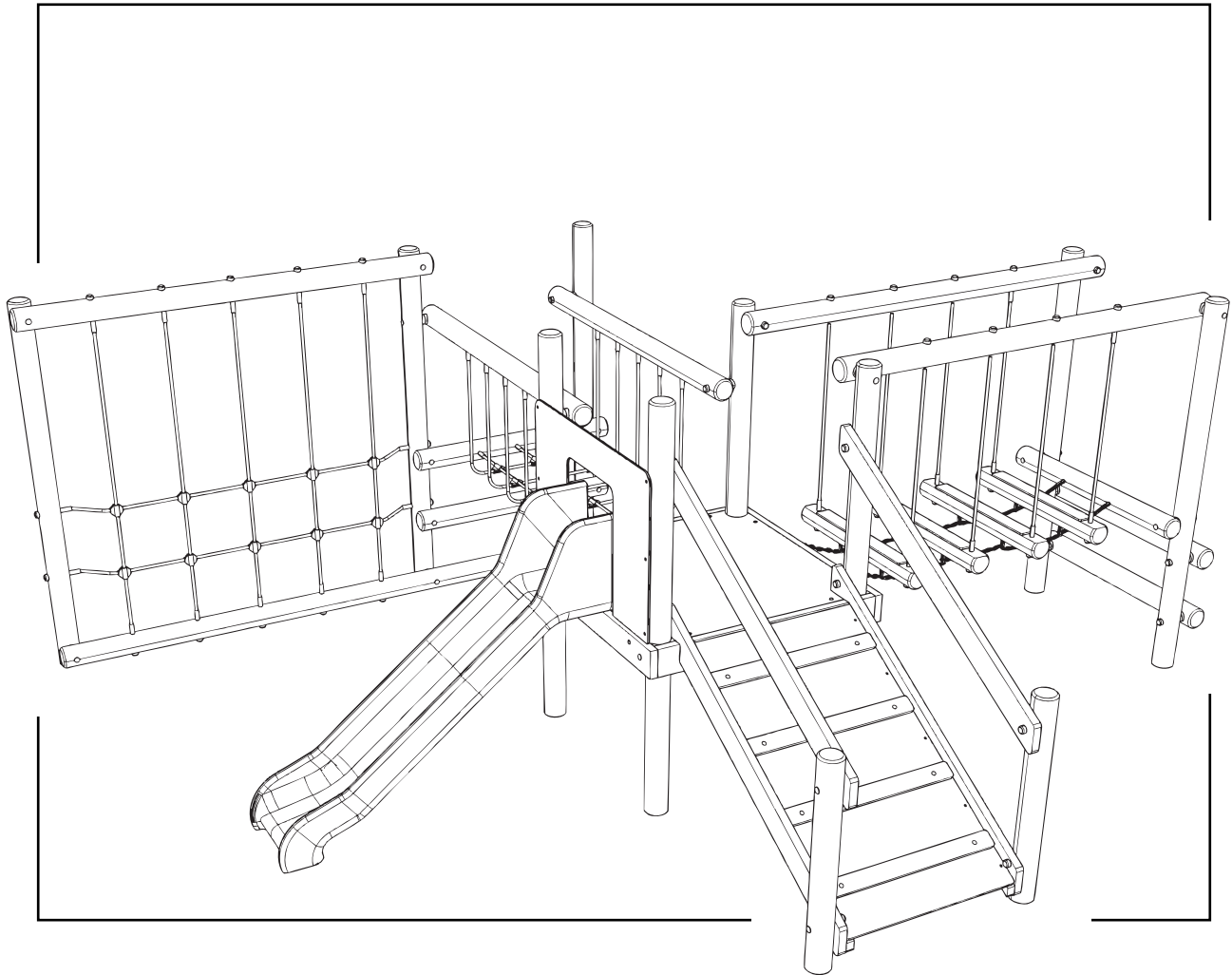


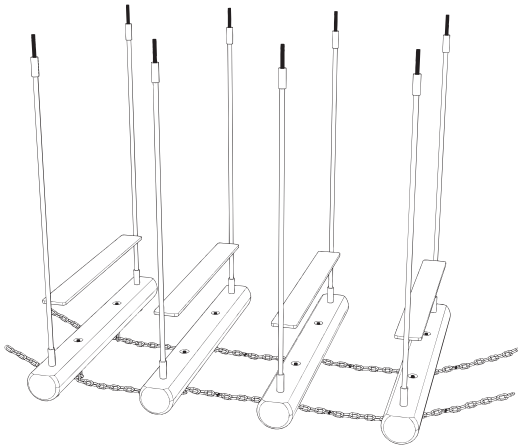
# **CLYDE ACTIVITY CENTRE ROUND**

## ***Installation Instructions***

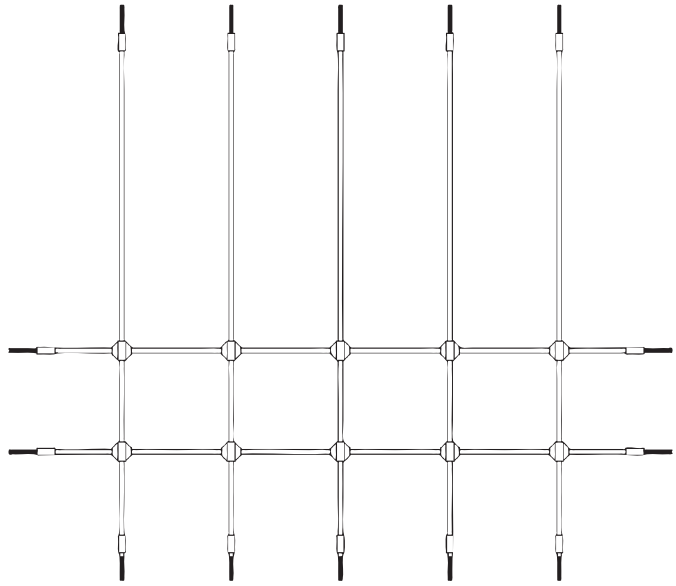
**creative  
play**



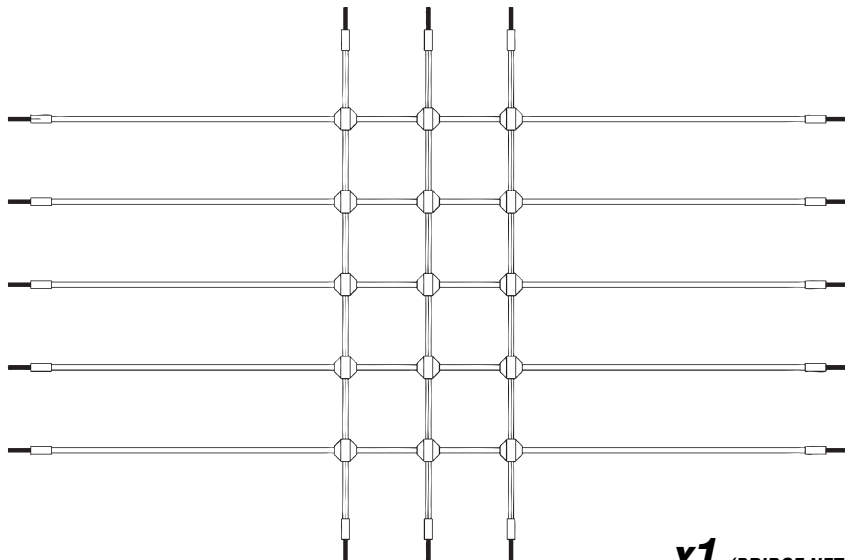
# PARTS required



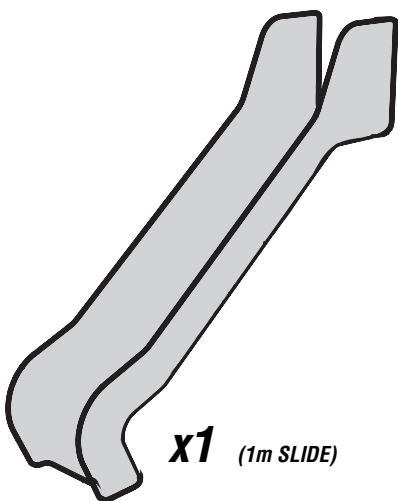
**x1** (LOG WALK)



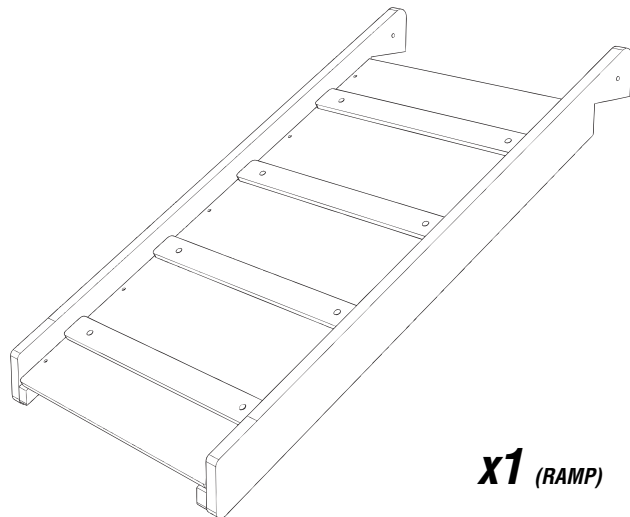
**x1** (NET)



**x1** (BRIDGE NET)



**x1** (1m SLIDE)

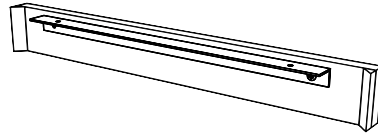


**x1** (RAMP)

# PARTS required



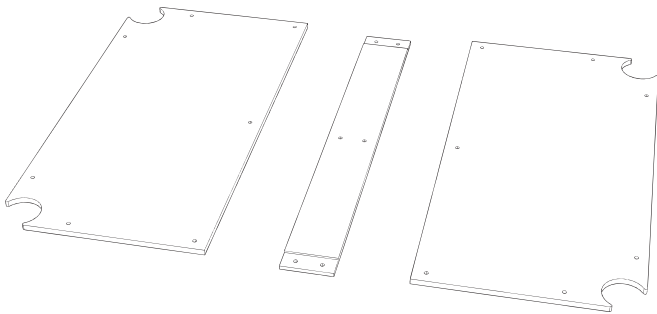
**x1** (SLIDE SIDE PANEL)



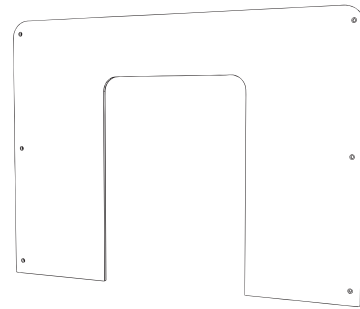
**x1** (BRIDGE NET SIDE PANEL)

**x1** (LOG WALK SIDE PANEL)

**x1** (RAMP SIDE PANEL)



**x1** (Hexboard Floor)

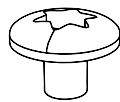


**x1** (PLAYTEC Slide Panel)



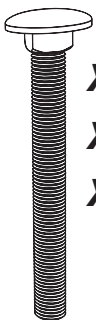
**x8** (3B - TORQTAINER)

**x6** (4B - TORQTAINER)



**x8** (N1 - TORQTAINER)

**x6** (N3 - TORQTAINER)



**x4** (M12 x 140 Square Cup HEX bolt)

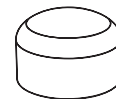
**x4** (M12 x 180 Square Cup HEX bolt)

**x25** (M12 x 300 Square Cup HEX bolt)

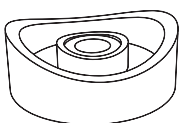


**x16** (FM80 'Brass screws')

**x2** (FM40 'Brass screws')



**x10** (end caps)



**x44** (120 Distance piece)

120 label is shown on the inside



**x66** (end caps R60)



**x71** (M12 'NYLOC')

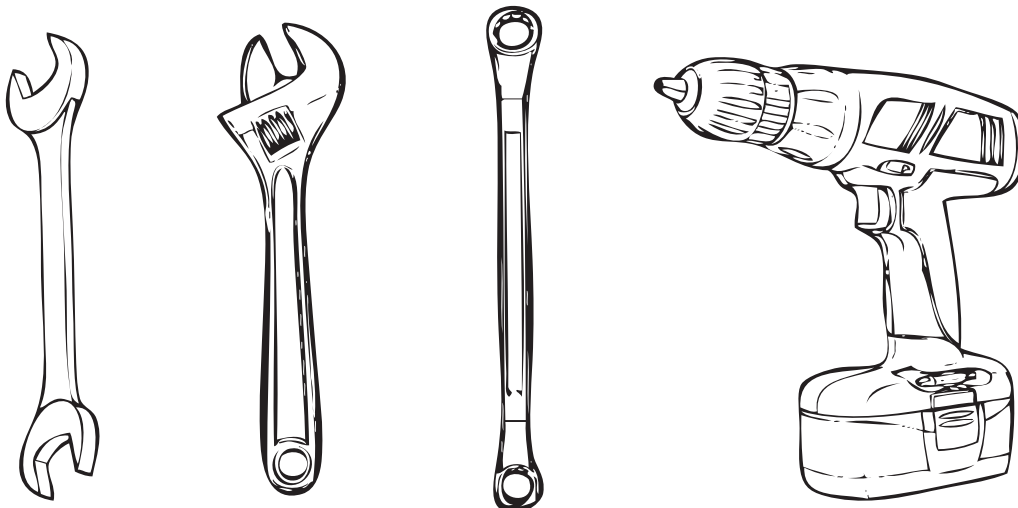
# TIMBERS required



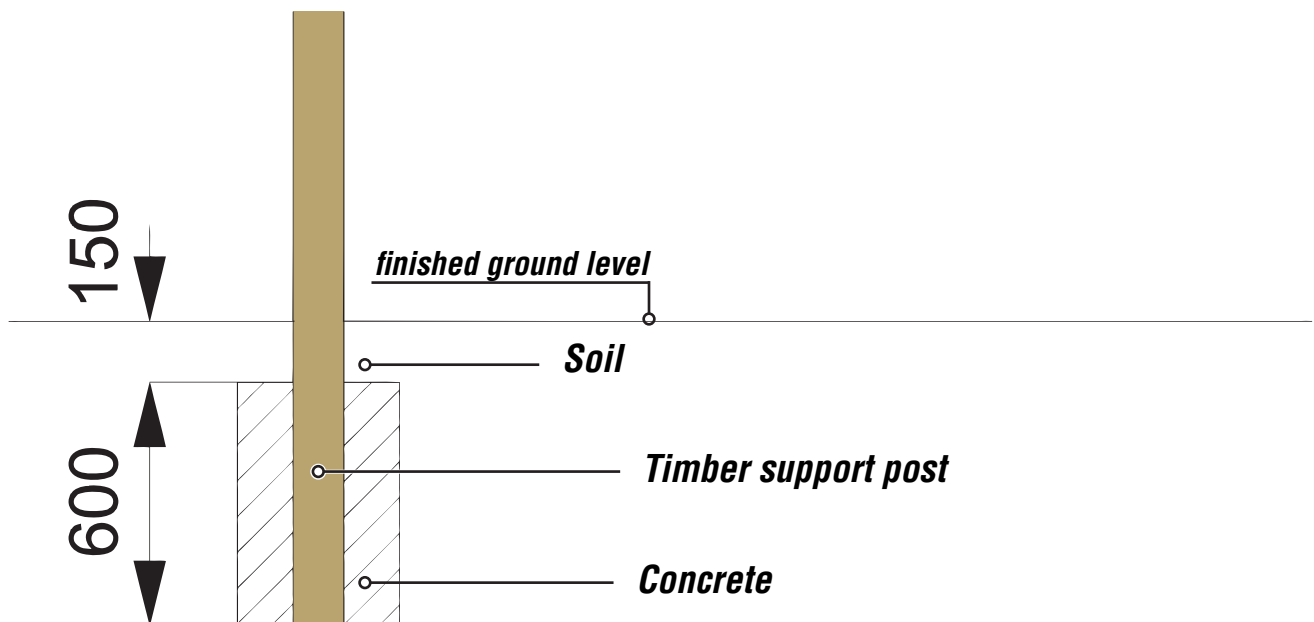
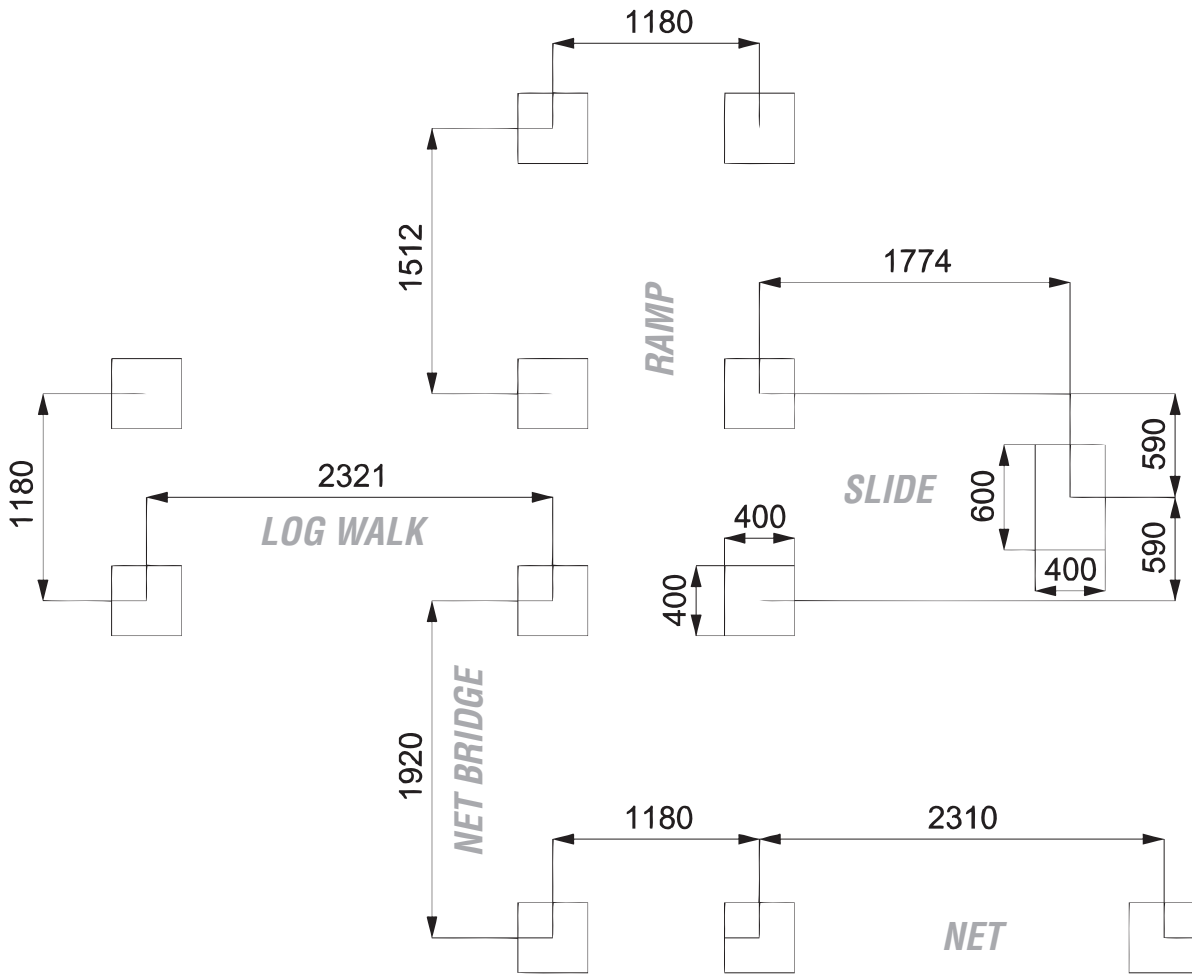
CODE	TYPE	SIZE mm	QTY
AC103Ra	Ø 125mm	3000	1
AC103Rb	Ø 125mm	1330	1
AC103Rc	Ø 125mm	1330	1
AC103Rd	Ø 125mm	2460	1
AC103Re	Ø 125mm	3640	1
AC103Rf	Ø 125mm	3000	1
AC101Rb	Ø 125mm	3000	1
AC101Rd	Ø 125mm	2070	2
AC101Re	Ø 125mm	3000	1
AC101Rf	Ø 125mm	3000	1
AC101Rg	Ø 125mm	3000	1
AC101Rh	Ø 125mm	3000	1
AC101Ri	Ø 125mm	2470	1
AC101Rj	Ø 125mm	3000	2
AC101Rk	Ø 125mm	1330	1
AC101Rl	Ø 125mm	1330	2
AC101Rn	Ø 125mm	1871	2

CODE	TYPE	SIZE mm	QTY
CF101Rs	156x43mm	1951	2

# TOOLS required

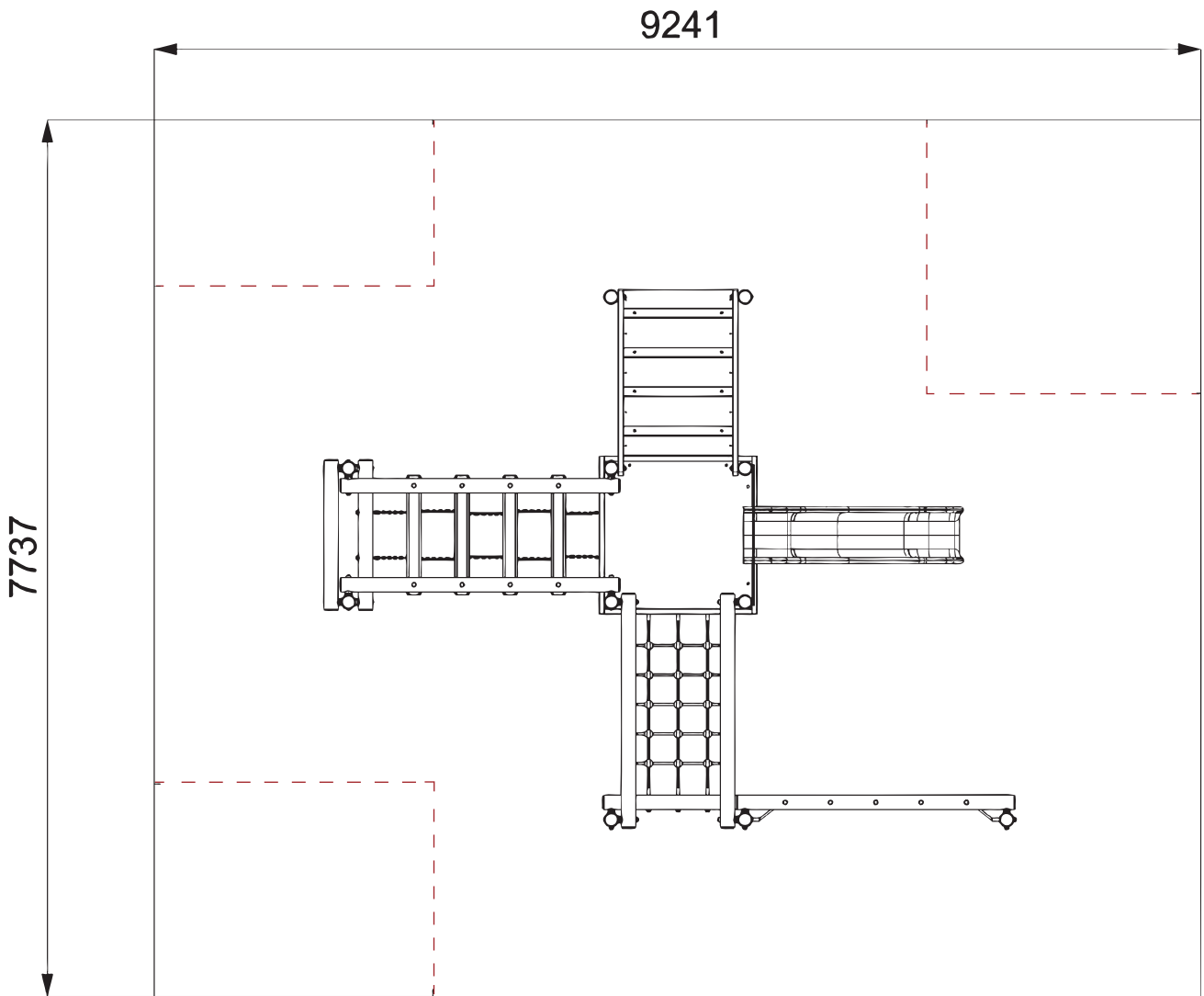


# Foundation Details



# Surfacing Details

- - - - = MINIMUM SPACE
- = SURFACE AREA

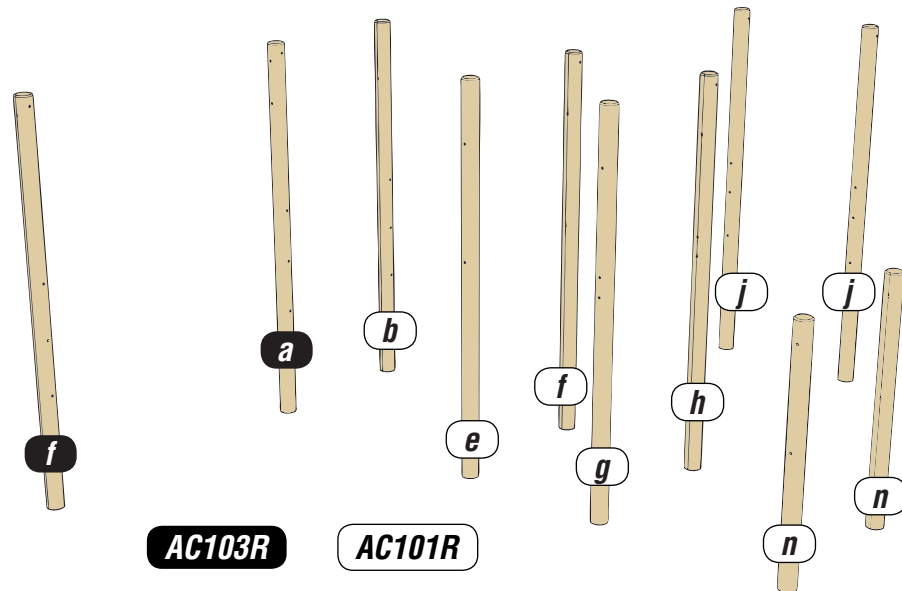


# Installation Instructions

1

## Install the UPRIGHTS CF101Ra/c/d/e & AC101Rb/c/d/e

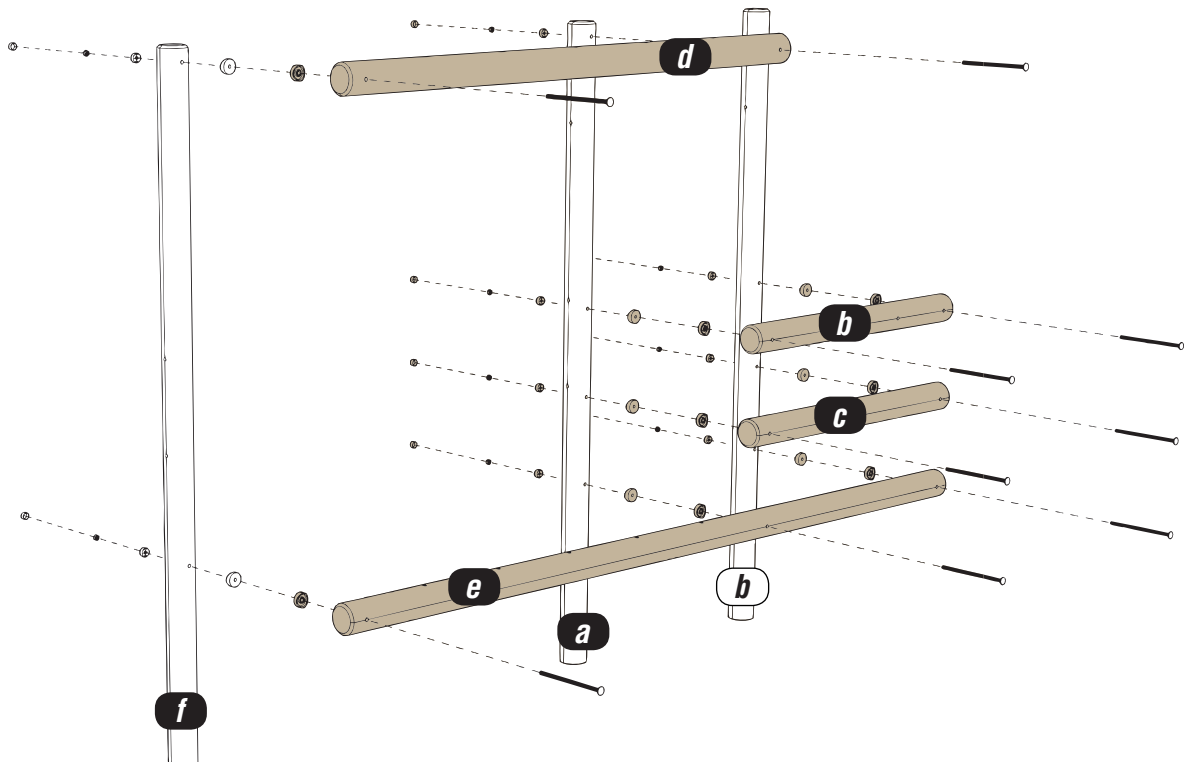
Follow Foundation details



2

## Attach the Timbers CF103Ra/b/c/d/e to the Timbers CF101Rb and CF103Ra/f

Using 16x 120 Distance piece/ 11x @300mm M12 SQUARE CUP HEX BOLTS / 11x NYLOCS / 11x END CAPS R60

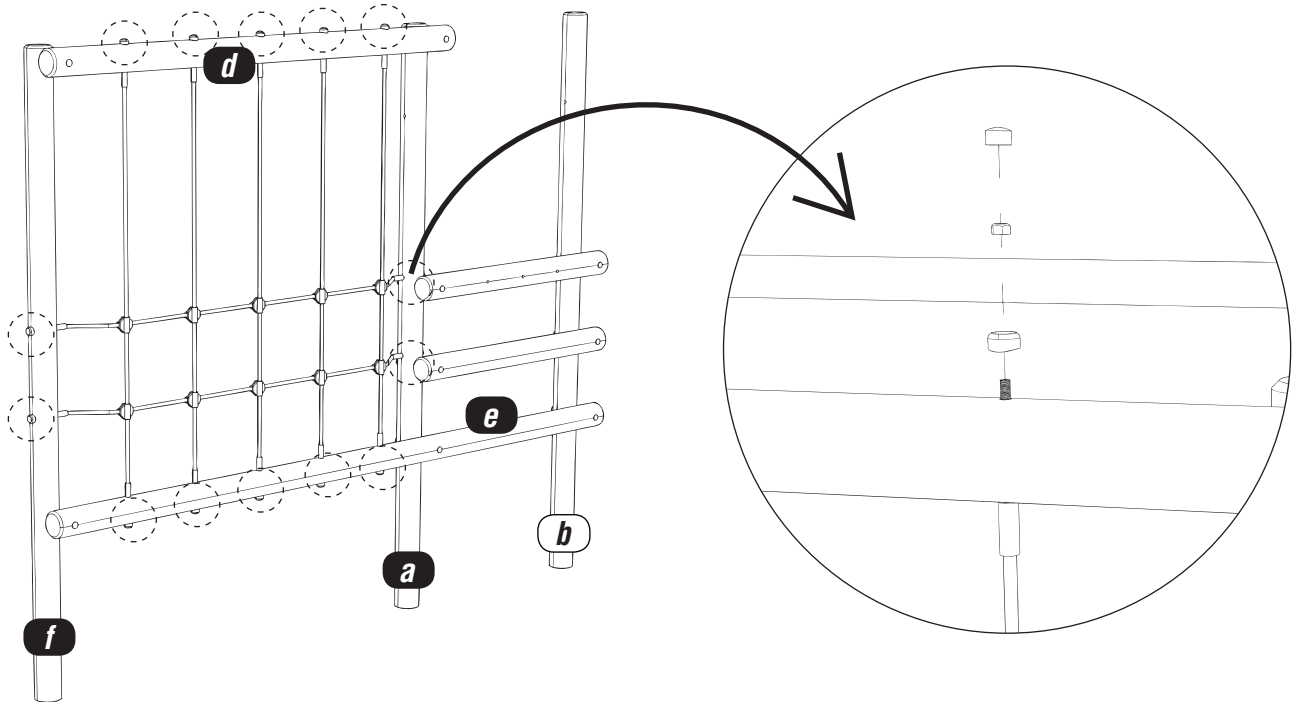


# Installation Instructions

**3**

## Attach NET to the Timbers CF103Ra/d/e/f

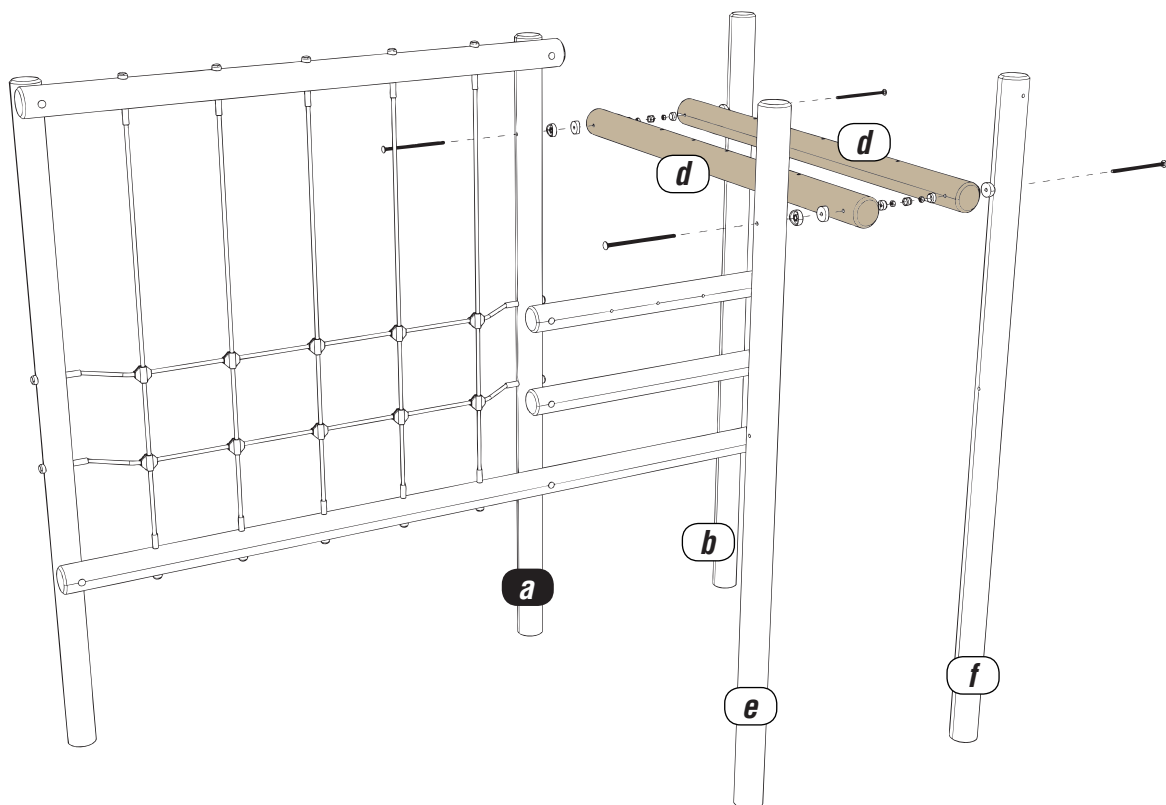
Using 14x NYLOCS / 14x END CAPS R60



**4**

## Attach the Timber AC101Rd to the Timbers AC101Rb/e/f and AC103Ra

Using 8x 120 Distance piece/ 4x @300mm M12 SQUARE CUP HEX BOLTS / 4x NYLOCS / 4x END CAPS R60



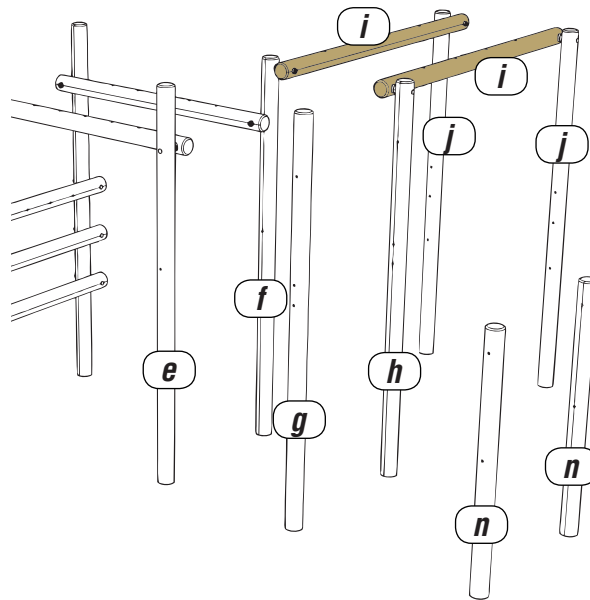


# Installation Instructions

**5**

## Attach the Timber AC101Rd to the Timbers AC101Ra/b/e/f

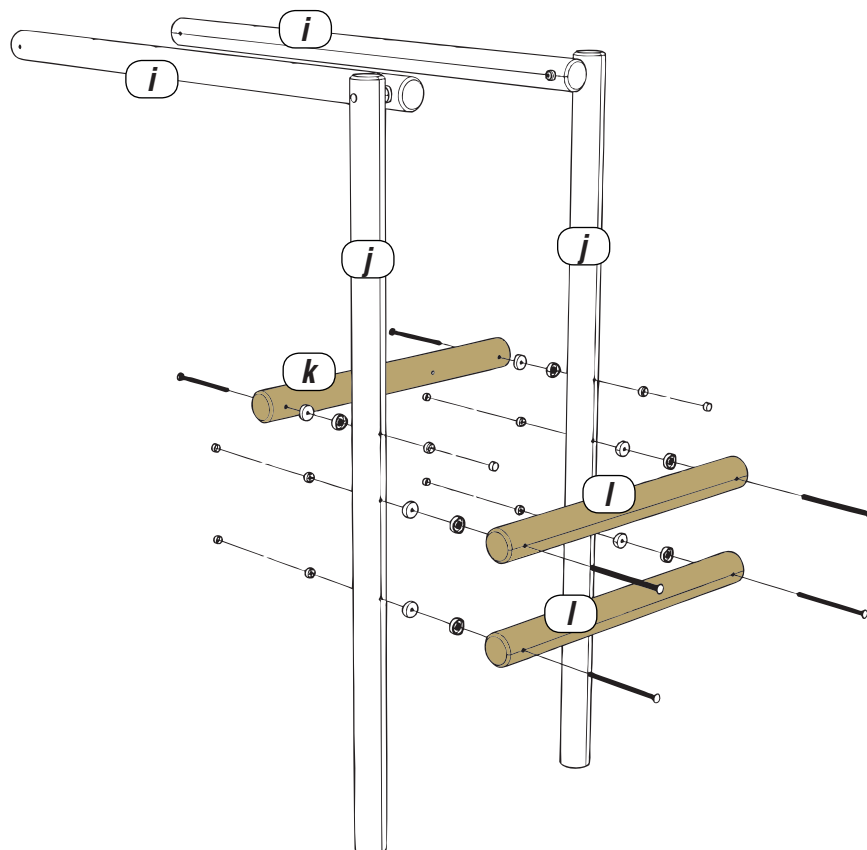
Using 8x 120 Distance piece/ 4x @300mm M12 SQUARE CUP HEX BOLTS / 4x NYLOCS / 4x END CAPS R60



**6**

## Attach the Timber AC101Rl/k to the Timbers AC101Rj

Using 12x 120 Distance piece/ 6x @300mm M12 SQUARE CUP HEX BOLTS / 6x NYLOCS / 6x END CAPS R60

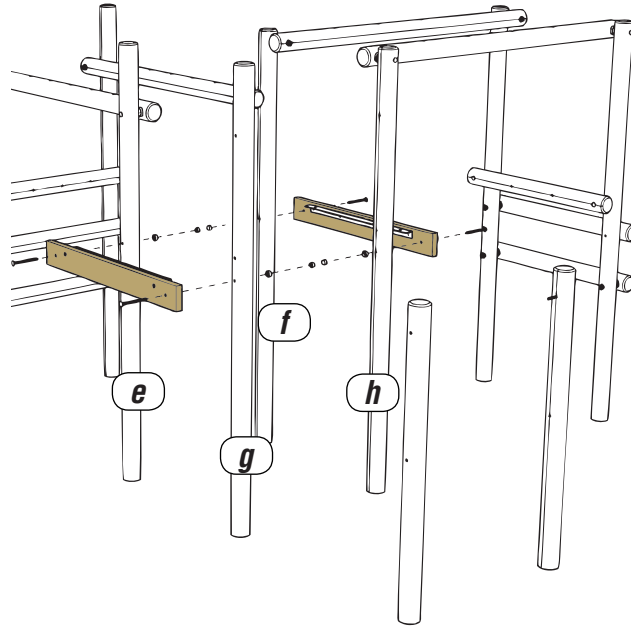


# Installation Instructions

**7**

**Attach the Slide and Log Walk SIDE PANEL to the Timbers AC101Re/f/g/h**

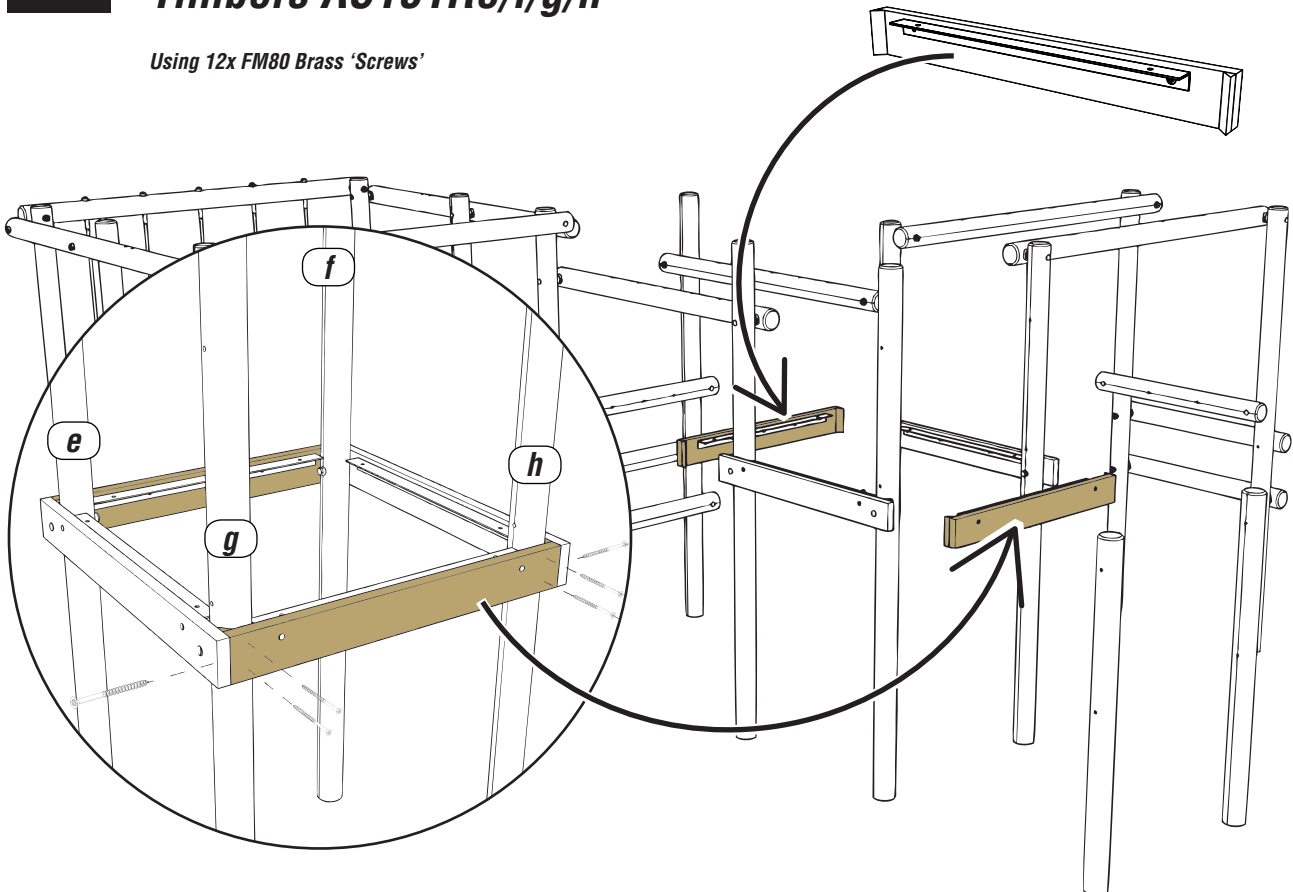
Using 4x @180mm M12 SQUARE CUP HEX BOLTS / 4x NYLOGS / 4x END CAPS R60



**8**

**Attach the Net Bridge and Ramp SIDE PANEL to the Timbers AC101Re/f/g/h**

Using 12x FM80 Brass 'Screws'

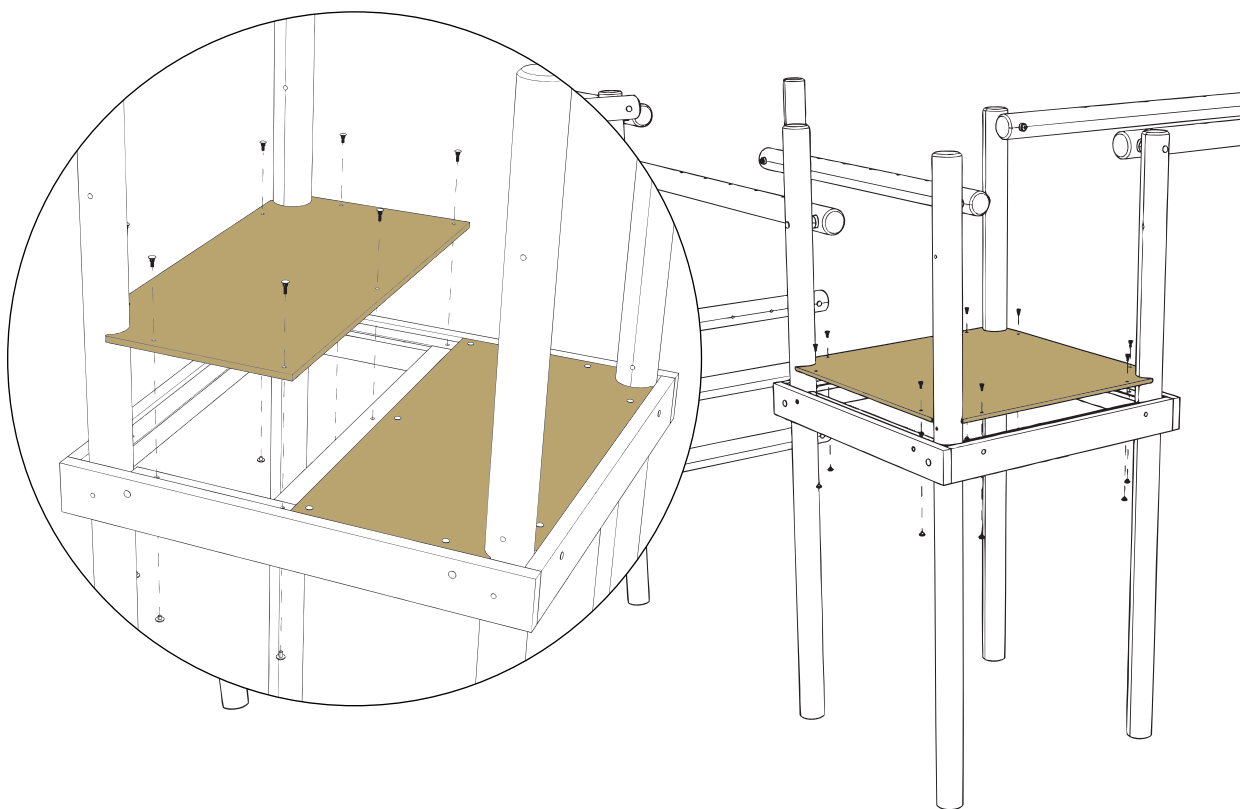


# Installation Instructions

**9**

## Attach the Floor to the SIDE PANELS

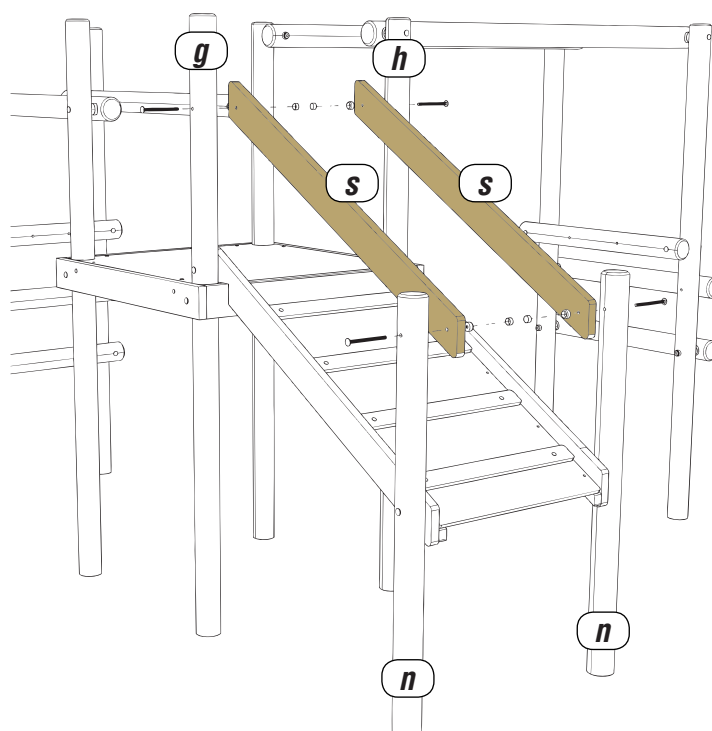
Using 4x (3B) / 6x(4B) / 4x (N1) / 6x (N3) TORKTAINERS



**10**

## Attach the Timber AC101Rs to the Timbers AC101Rg/h/n

Using 4x @180mm M12 SQUARE CUP HEX BOLTS / 4x NYLOGS / 4x END CAPS

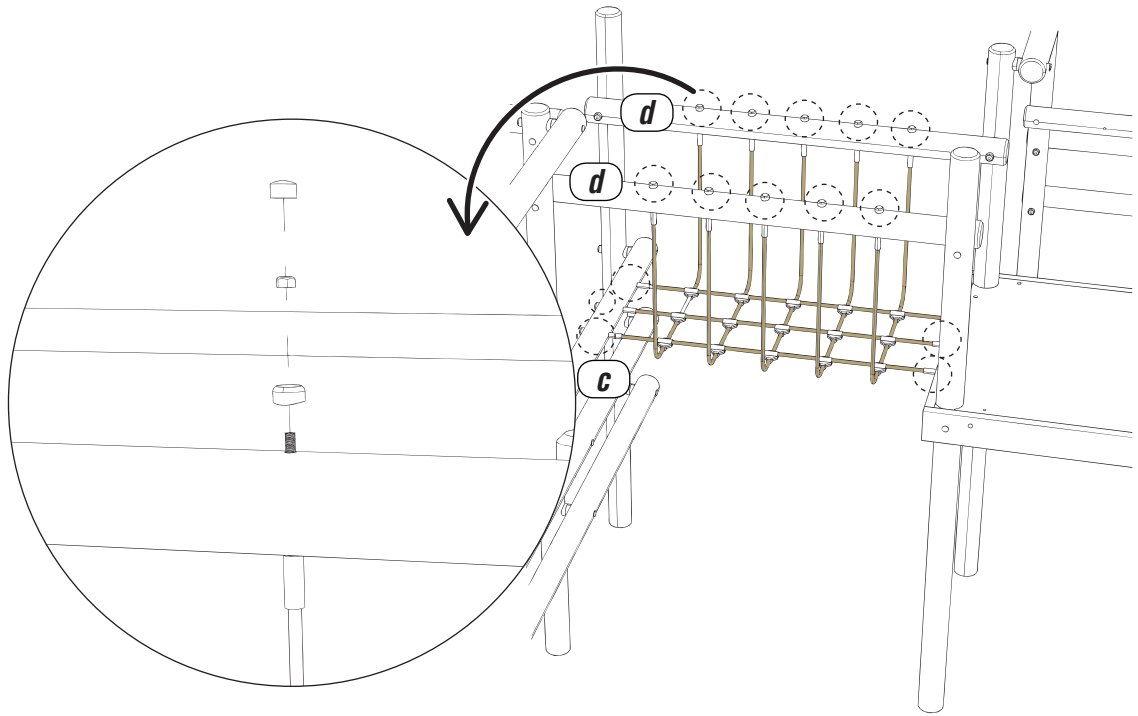


# Installation Instructions

**11**

## Attach BRIDGE NET to the Timbers AC101Rc/d and Panel

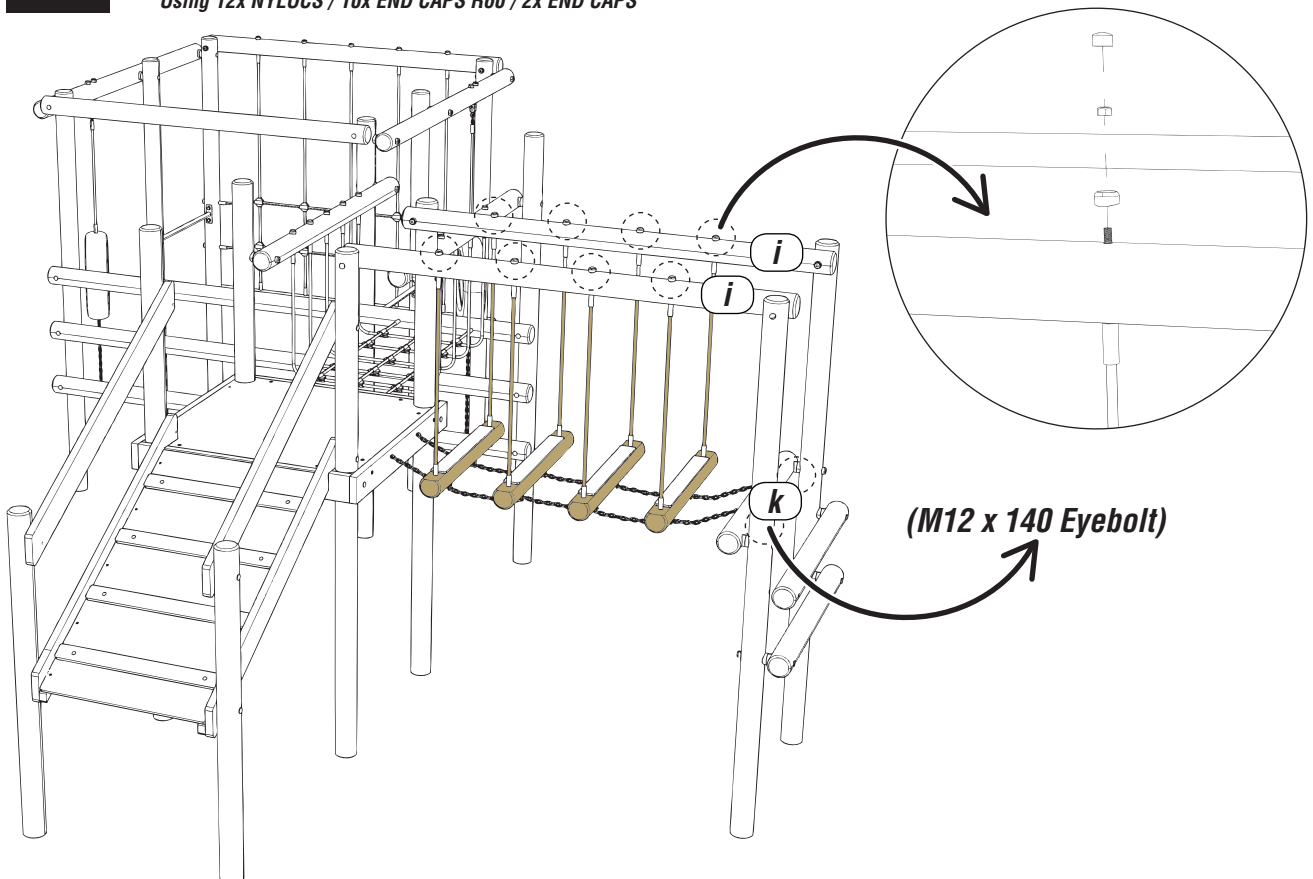
Using 16x NYLOCS / 13x END CAPS R60 / 3x END CAPS



**12**

## Attach the LOG WALK to the AC101Ri/k and SIDE PANEL

Using 12x NYLOCS / 10x END CAPS R60 / 2x END CAPS

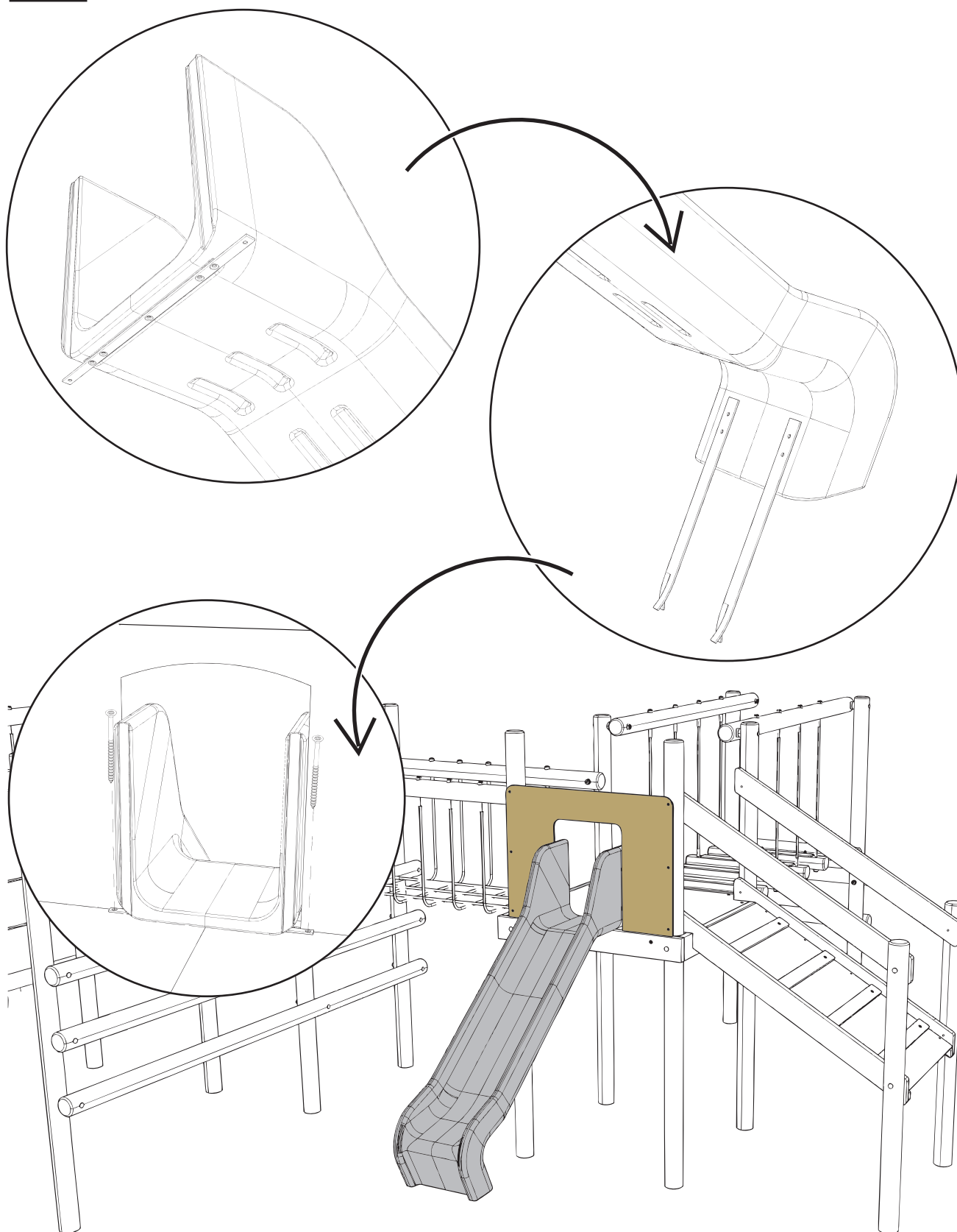


# Installation Instructions

**13**

## Attach the SLIDE TO THE PLATFORM

Using 4x "FM80 Brass Screws" / 2x "FM40 Brass Screws" and Slide Fittings



# Additional Dimensions

